



US00D939628S

(12) **United States Design Patent** (10) **Patent No.:** **US D939,628 S**  
**Hyun et al.** (45) **Date of Patent:** **\*\* Dec. 28, 2021**

(54) **ELECTRONIC WHITEBOARD**  
(71) Applicant: **LG Electronics Inc.**, Seoul (KR)  
(72) Inventors: **Joe Hyun**, Seoul (KR); **Yongho Lee**, Seoul (KR); **Jiyeon Lee**, Seoul (KR); **Hyeyoung Hong**, Seoul (KR)

CPC ..... G06F 3/044; G06F 1/1613; G06F 1/1626; G06F 2200/1633; G06F 3/0488; G06F 3/04886; G06F 3/0412; G06F 3/0416; H04B 1/3833  
See application file for complete search history.

(73) Assignee: **LG ELECTRONICS INC.**, Seoul (KR)

(56) **References Cited**

(\*\*) Term: **15 Years**

U.S. PATENT DOCUMENTS

(21) Appl. No.: **35/509,691**

4,727,431 A \* 2/1988 Nakamura ..... H04N 1/38 358/401  
4,752,803 A \* 6/1988 Sakurai ..... G03G 15/221 399/1  
D300,041 S \* 2/1989 Kurozumi ..... D18/36  
D300,149 S \* 3/1989 Yamada ..... D19/114  
D300,150 S \* 3/1989 Ishii ..... D18/36  
4,905,040 A \* 2/1990 Nagai ..... G03B 27/625 355/43  
5,529,501 A \* 6/1996 Maruyama ..... B43K 8/22 345/179  
D401,625 S \* 11/1998 Verbeek ..... D19/114  
D627,394 S \* 11/2010 Nakayama ..... D19/114

(22) Filed: **Dec. 23, 2019**

(80) **Hague Agreement Data**

Int. Filing Date: **Dec. 23, 2019**  
Int. Reg. No.: **DM/208020**  
Int. Reg. Date: **Dec. 23, 2019**  
Int. Reg. Pub. Date: **Jun. 26, 2020**

(Continued)

*Primary Examiner* — Richard E Chilcot

(30) **Foreign Application Priority Data**

Jun. 28, 2019 (KR) ..... 30-2019-0031083

(74) *Attorney, Agent, or Firm* — Birch, Stewart, Kolasch & Birch LLP

(51) **LOC (13) Cl.** ..... **19-06**

(57) **CLAIM**

The ornamental design for an electronic whiteboard, as shown and described.

(52) **U.S. Cl.**

USPC ..... **D19/114**  
CPC ..... **G06F 3/044** (2013.01)

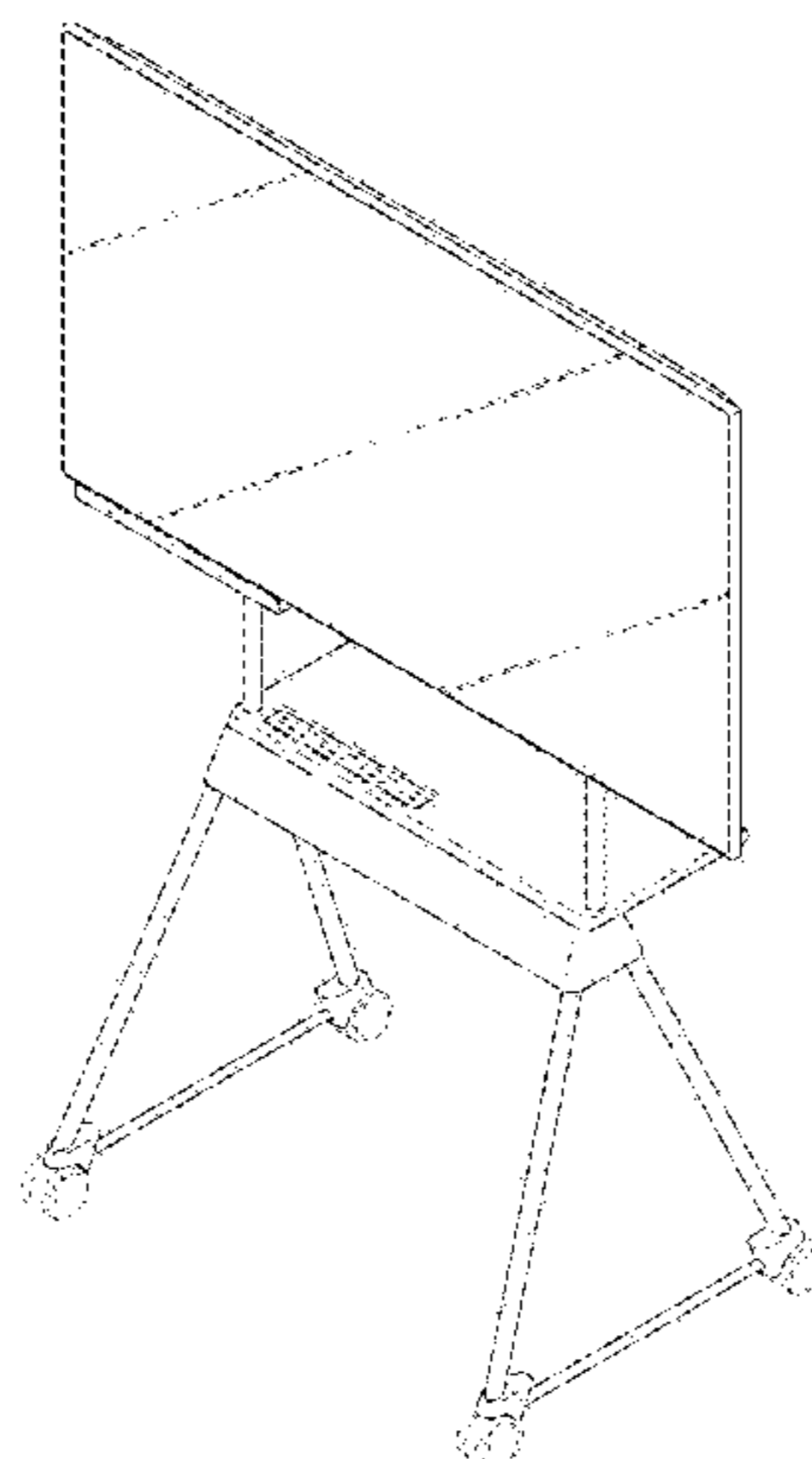
**DESCRIPTION**

(58) **Field of Classification Search**

USPC ..... D14/125–134, 136, 159, 239, 315–318, D14/336, 339–347, 420, 426, 240, 496, D14/137, 138 R, 138 AA, 138 AB, D14/138 AC, 138 AD, 138 C, 138 G, 147, D14/203.1–203.8, 218, 247, 371, 248, D14/388–389, 373–376, 448, 450; D6/308, 310, 681.1, 682; D10/104.1, 50, D10/65; D18/6–7, 26; D19/59, 60, 113, D19/114; D20/10, 41, 42, 27, 39; D21/324, 329, 330, 332, 515

- 1. Electronic whiteboard
- 1.1 : Perspective
- 1.2 : Front
- 1.3 : Back
- 1.4 : Left
- 1.5 : Right
- 1.6 : Top
- 1.7 : Bottom
- 1.8 : Back perspective view
- 1.9 : Front perspective view in which part of the electronic whiteboard has been rotated

(Continued)



The broken lines are just for illustrative purposes and do not form any part of the claimed design.

**1 Claim, 9 Drawing Sheets**

(56)

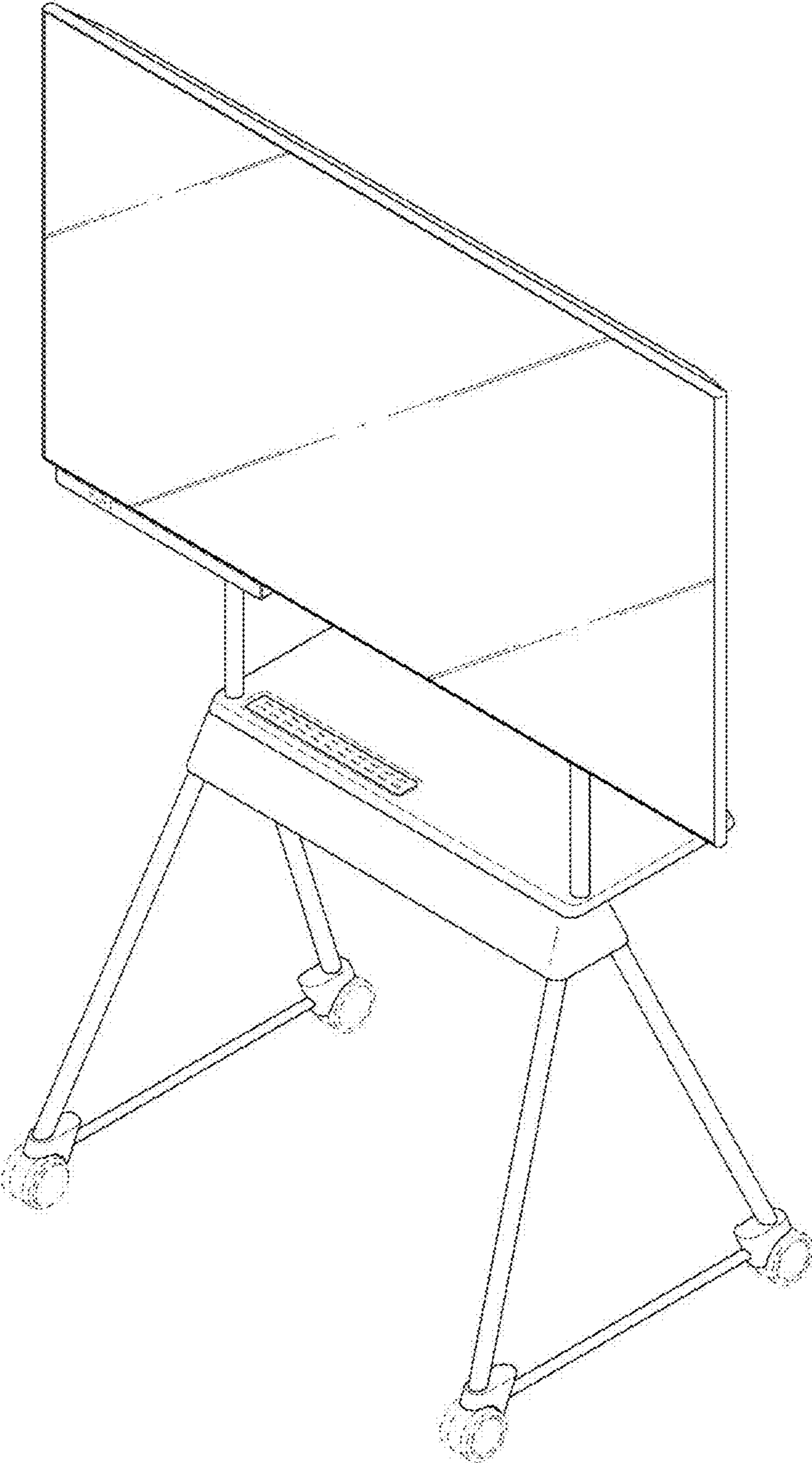
**References Cited**

U.S. PATENT DOCUMENTS

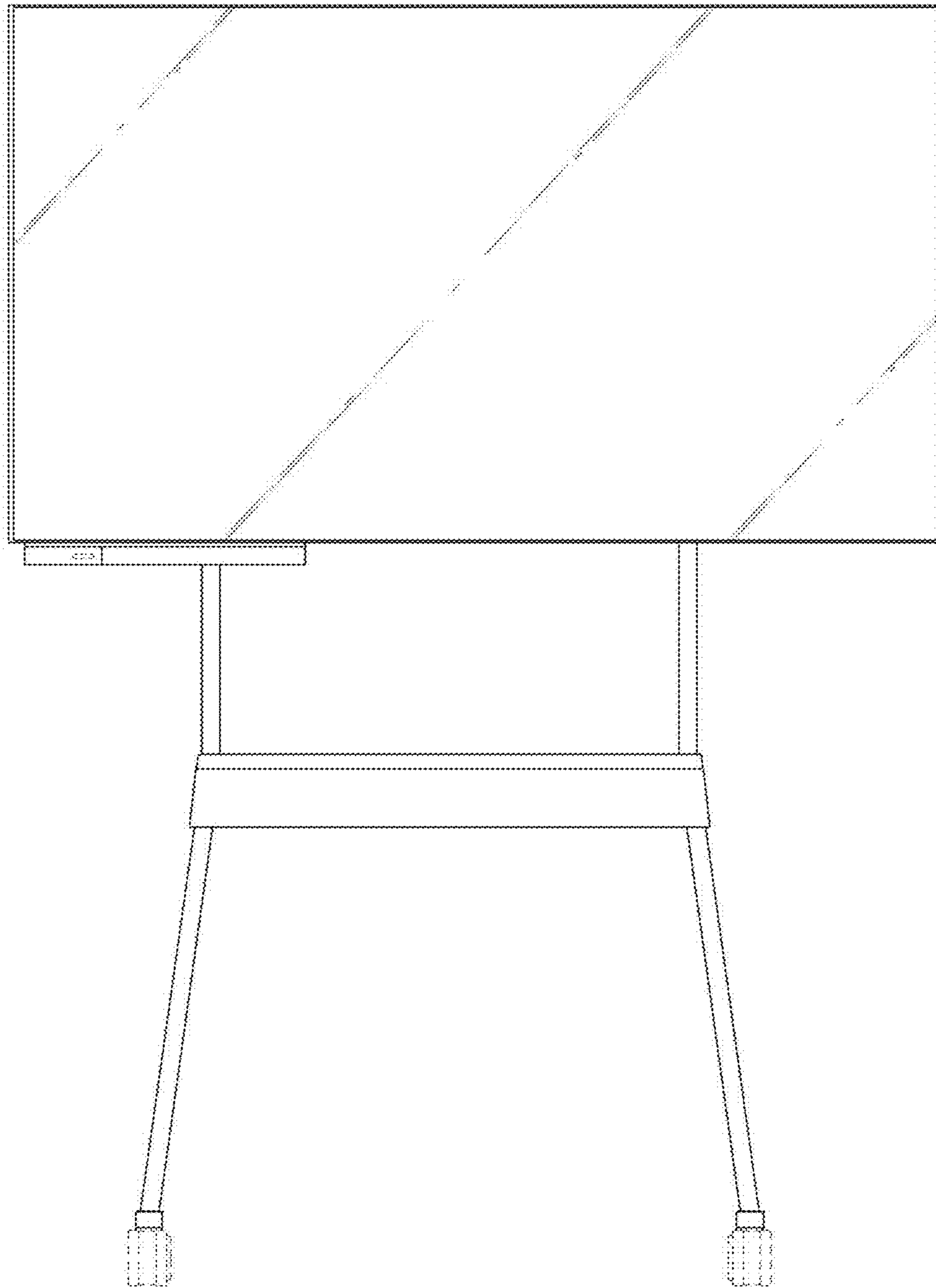
D658,142 S *	4/2012	Chiu .....	D14/129
D671,170 S *	11/2012	Udagawa .....	D19/114
D710,847 S *	8/2014	Ozolins .....	D14/371
D720,709 S *	1/2015	Lee .....	D14/126
D732,496 S *	6/2015	Mellingen .....	D14/126
D739,464 S *	9/2015	Liu .....	D19/113
D742,863 S *	11/2015	Aoyagi .....	D14/239
D782,432 S *	3/2017	So .....	D14/126
D791,232 S *	7/2017	Terada .....	D19/114
D807,312 S *	1/2018	Jeong .....	D14/126
D807,880 S *	1/2018	Varghese .....	D14/371
D809,600 S *	2/2018	Anderson .....	D19/113
D812,611 S *	3/2018	Yu .....	D14/371
D822,108 S *	7/2018	Avallon .....	D19/114
D822,109 S *	7/2018	Avallon .....	D19/114
D837,173 S *	1/2019	Lyngra .....	D14/126
D837,296 S *	1/2019	Martin .....	D19/114
D852,272 S *	6/2019	Lim .....	D19/113
D855,612 S *	8/2019	Lim .....	D14/374
D864,296 S *	10/2019	Park .....	D19/113
D872,800 S *	1/2020	Kan .....	D19/113
D877,104 S *	3/2020	Khan .....	D14/126
D884,697 S *	5/2020	Park .....	D14/375
D894,277 S *	8/2020	Lee .....	D19/113
D909,474 S *	2/2021	Lee .....	D19/114
2006/0101682 A1 *	5/2006	Shi .....	G06F 3/046 40/446

\* cited by examiner

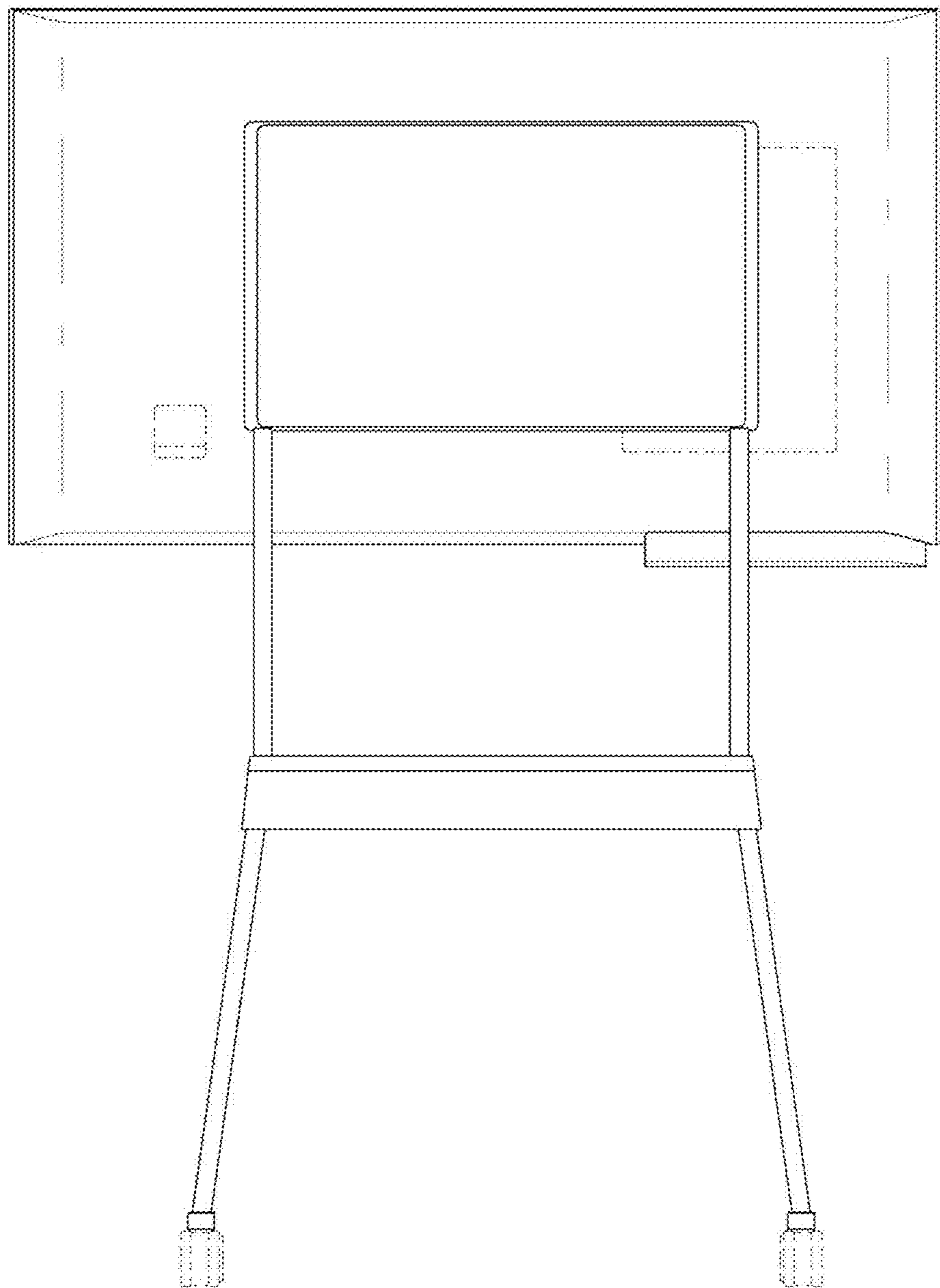
1.1



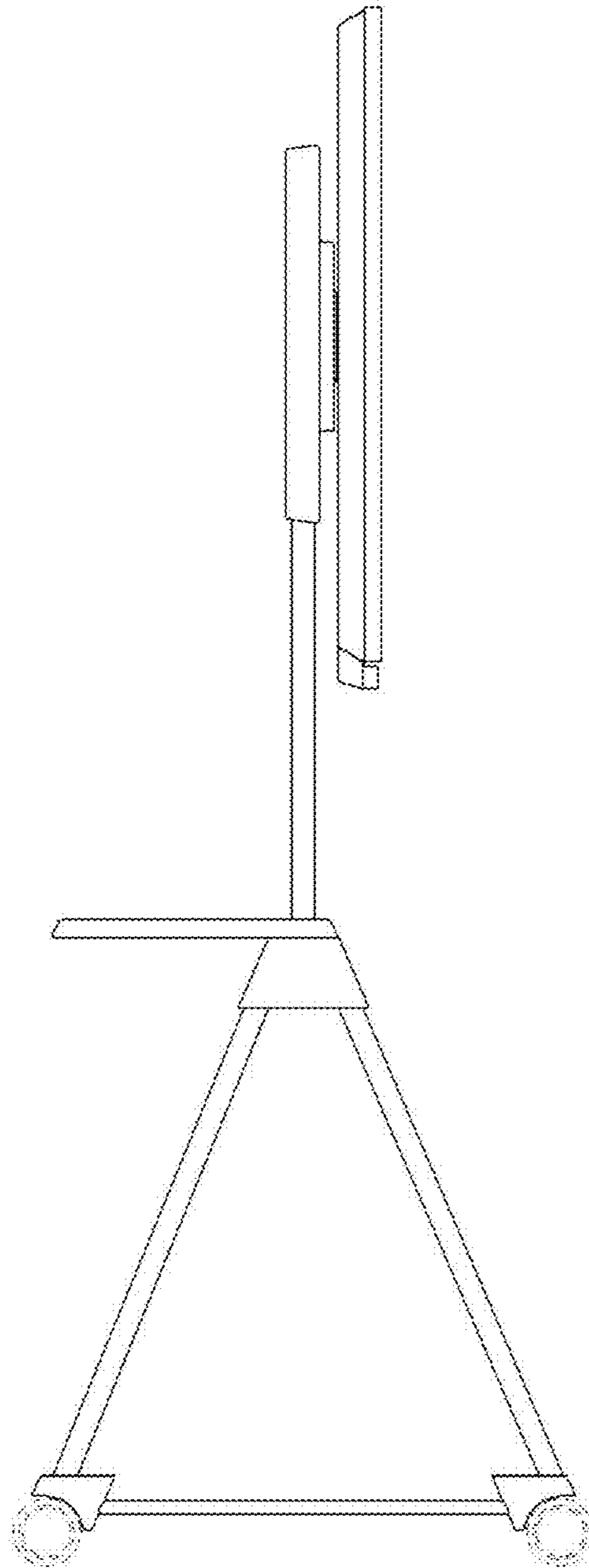
1.2



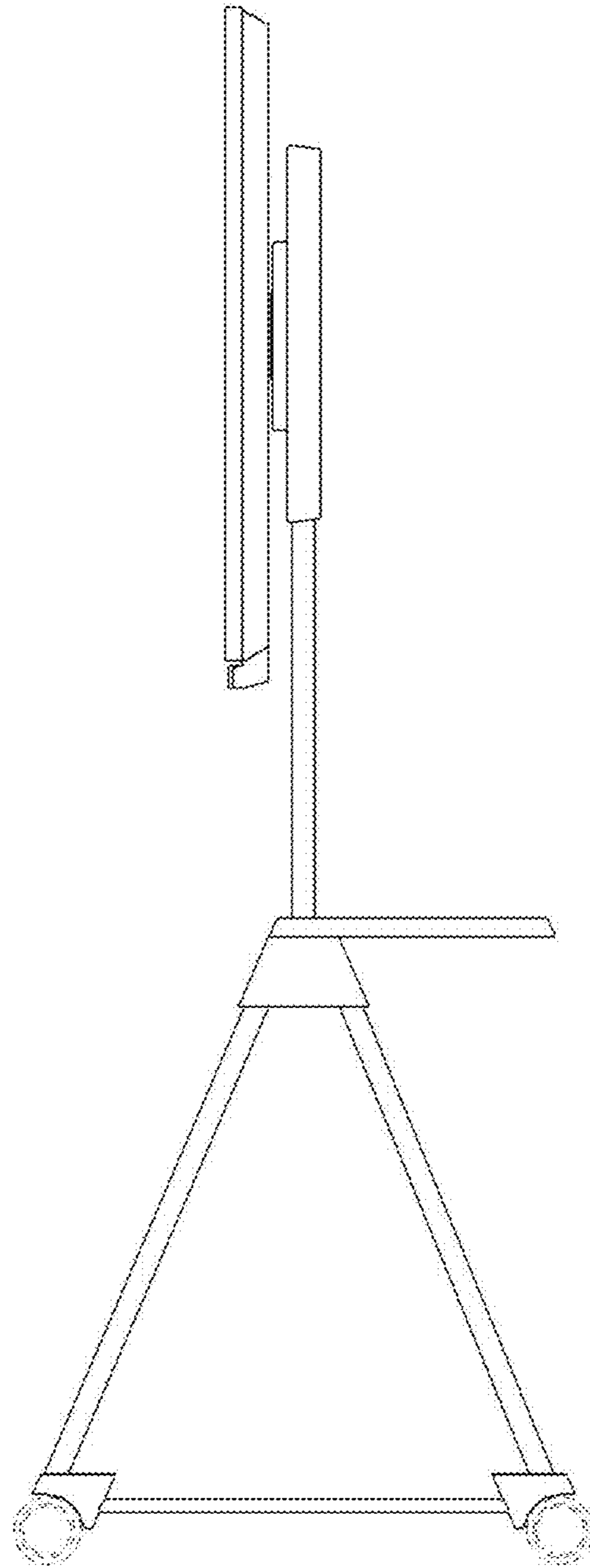
1.3



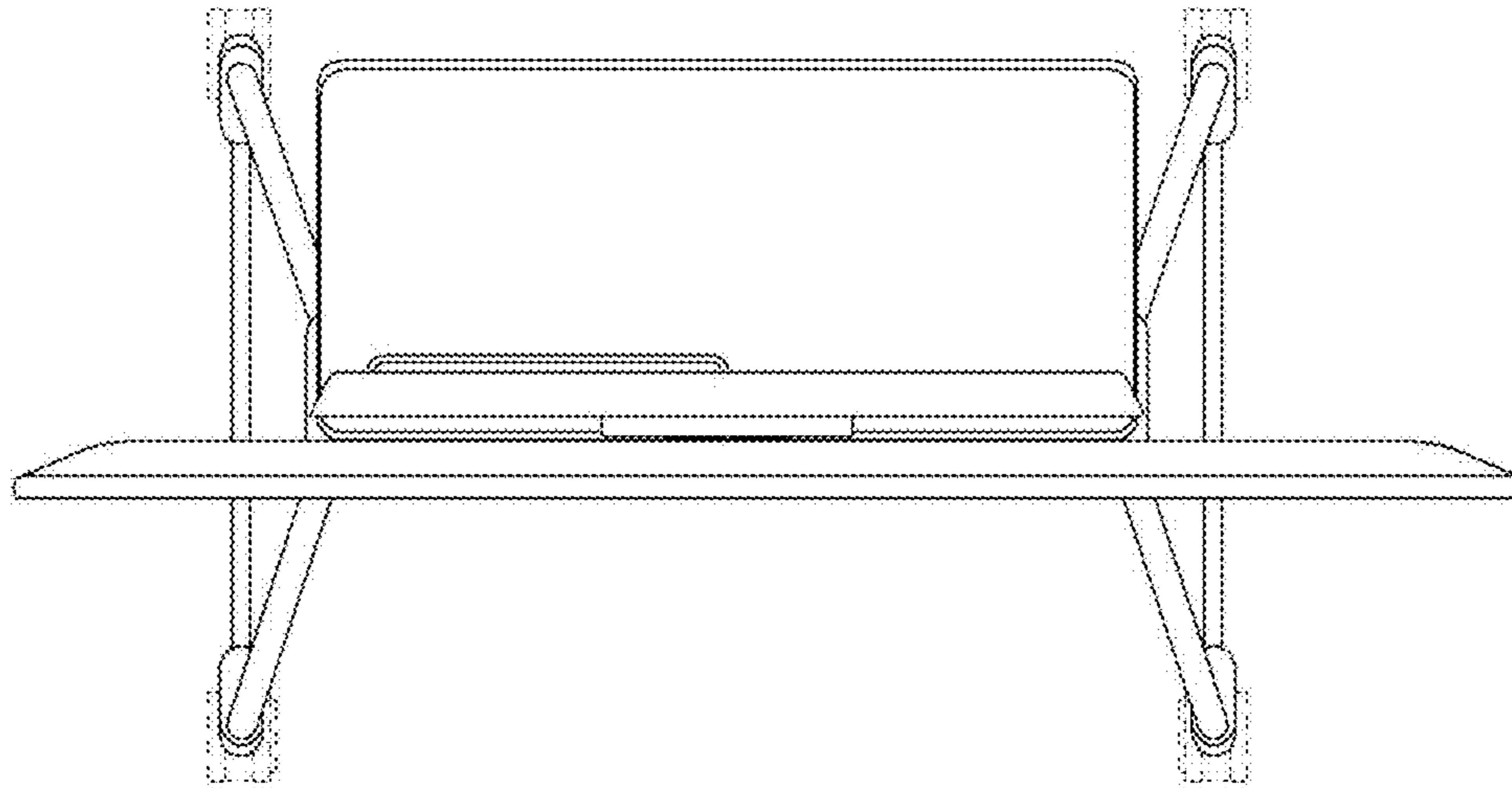
1.4



1.5

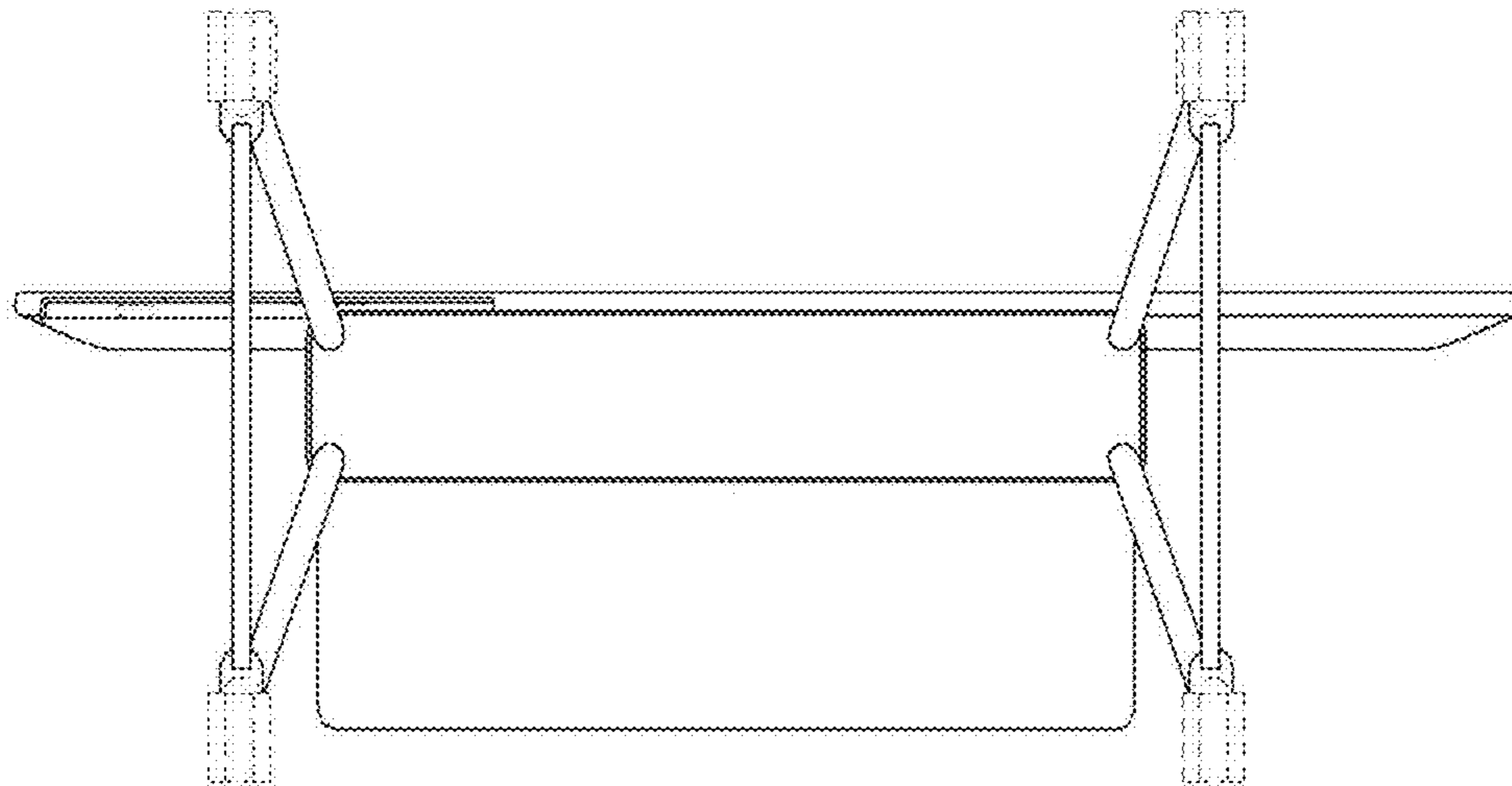


1.6

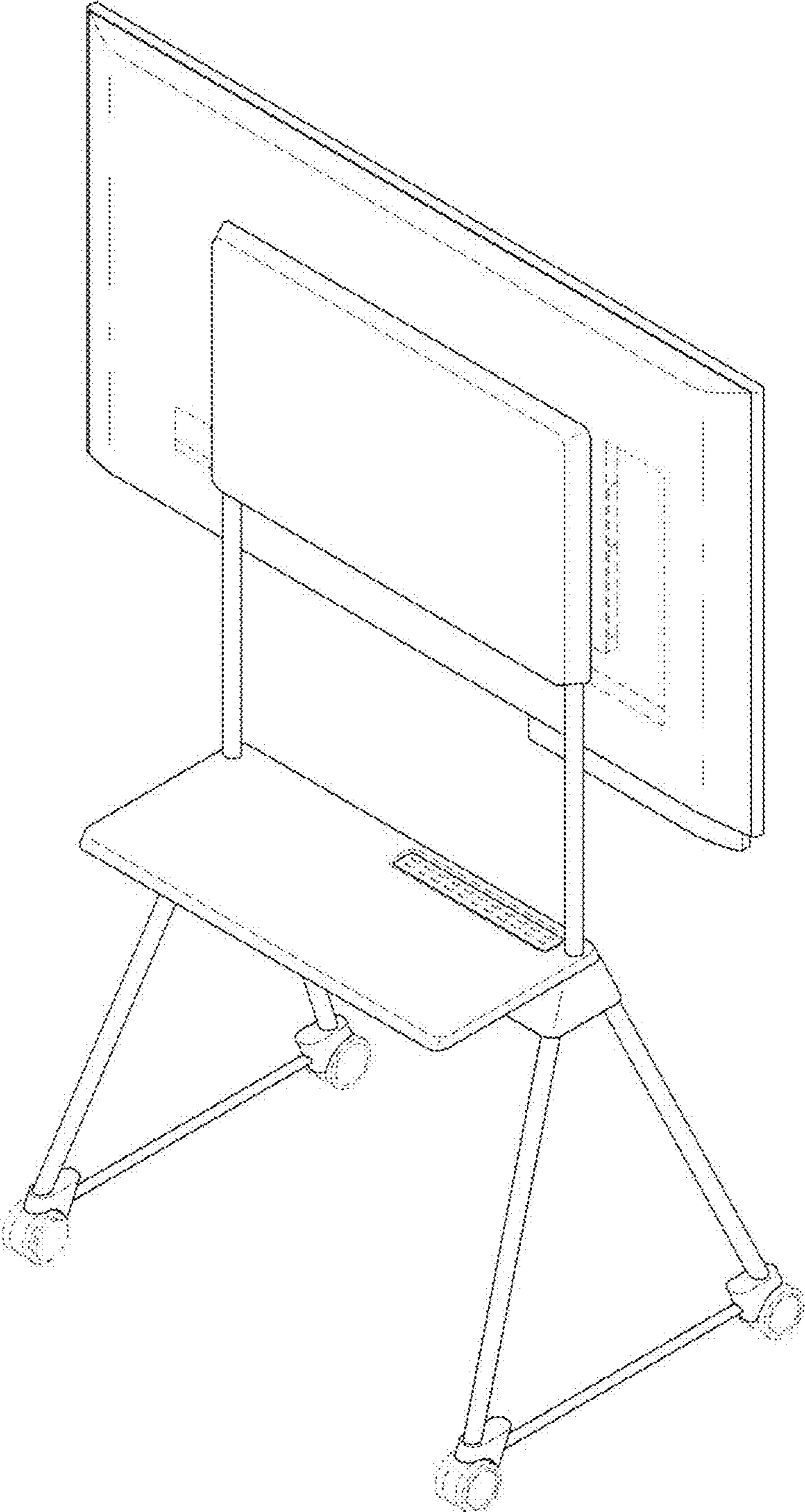




1.7



1.8



1.9

