



US00D939626S

(12) **United States Design Patent**  
**Holownia**

(10) **Patent No.:** **US D939,626 S**

(45) **Date of Patent:** **\*\* Dec. 28, 2021**

(54) **TRUMPET MOUTHPIECE**

(71) Applicant: **Lisa Isobel Holownia**, Kenmore Hills  
(AU)

(72) Inventor: **Lisa Isobel Holownia**, Kenmore Hills  
(AU)

(\*\*) Term: **15 Years**

(21) Appl. No.: **29/708,254**

(22) Filed: **Oct. 4, 2019**

(51) **LOC (13) Cl.** ..... **17-02**

(52) **U.S. Cl.**  
USPC ..... **D17/13**

(58) **Field of Classification Search**  
USPC ..... D17/10, 11, 13, 99; D21/405, 411  
CPC .. G10D 7/00; G10D 7/02; G10D 7/06; G10D  
7/063; G10D 7/066; G10D 7/08; G10D  
7/10; G10D 9/00; G10D 9/02; G10D  
9/025; G10D 9/10

See application file for complete search history.

(56) **References Cited**

**U.S. PATENT DOCUMENTS**

2,758,497 A *	8/1956	Sarad	.....	G10D 9/03 84/399
2,830,483 A *	4/1958	Saylor	.....	G10D 9/03 84/398
3,677,129 A *	7/1972	Lyon	.....	G10D 9/03 84/453
3,807,271 A *	4/1974	Nipken	.....	G10D 9/03 84/399
3,853,034 A *	12/1974	Vale	.....	G10D 7/10 84/465
D262,035 S *	11/1981	Wittman	.....	D17/10
D264,223 S *	5/1982	Lawson	.....	D17/10

4,395,933 A *	8/1983	Shepley	.....	G10D 9/03 84/399
5,218,150 A *	6/1993	Pastor	.....	G10D 9/03 84/398
D810,186 S *	2/2018	Lee	.....	D17/11

**FOREIGN PATENT DOCUMENTS**

CH	561456 A5 *	4/1975	.....	G10D 7/10
FR	629384 A *	11/1927	.....	G10D 7/10
JP	2000066663 A *	3/2000		
JP	2004021252 A *	1/2004		

\* cited by examiner

*Primary Examiner* — R. Johnson

(74) *Attorney, Agent, or Firm* — Michael Buck IP

(57) **CLAIM**

The ornamental design for a trumpet mouthpiece, as shown and described.

**DESCRIPTION**

FIG. 1 is a top perspective view of a trumpet mouthpiece showing my new design;

FIG. 2 is a left side elevation view thereof;

FIG. 3 is a right side elevation view thereof;

FIG. 4 is a bottom plan view thereof;

FIG. 5 is a top view plan view thereof;

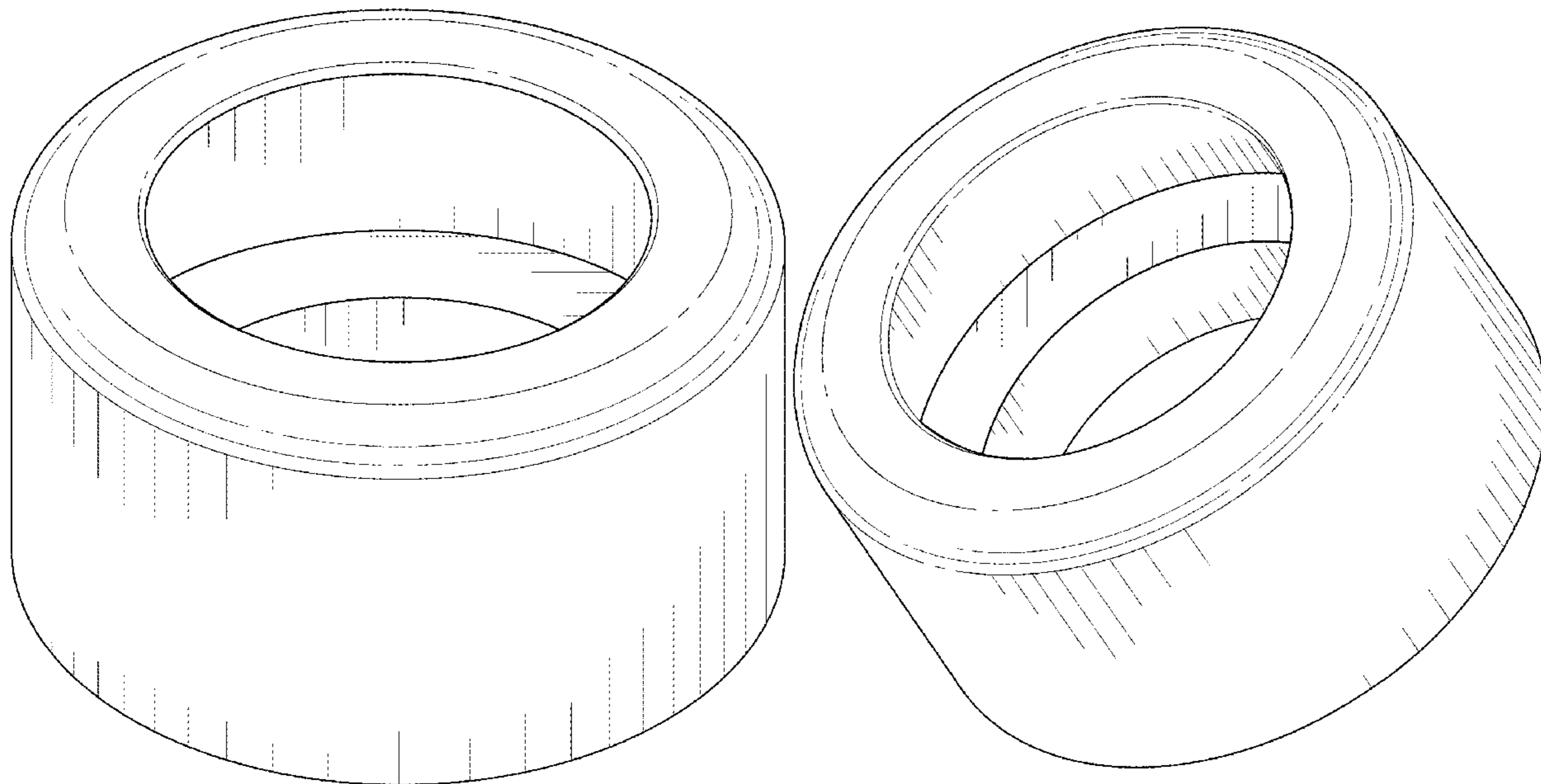
FIG. 6 is a bottom perspective view thereof;

FIG. 7 is a top, left perspective view thereof; and,

FIG. 8 is a perspective view thereof, showing the trumpet mouthpiece as used.

The broken lines in FIG. 8 illustrate the trumpet mouthpiece as used in the environment of a trumpet and form no part of the claimed design.

**1 Claim, 7 Drawing Sheets**



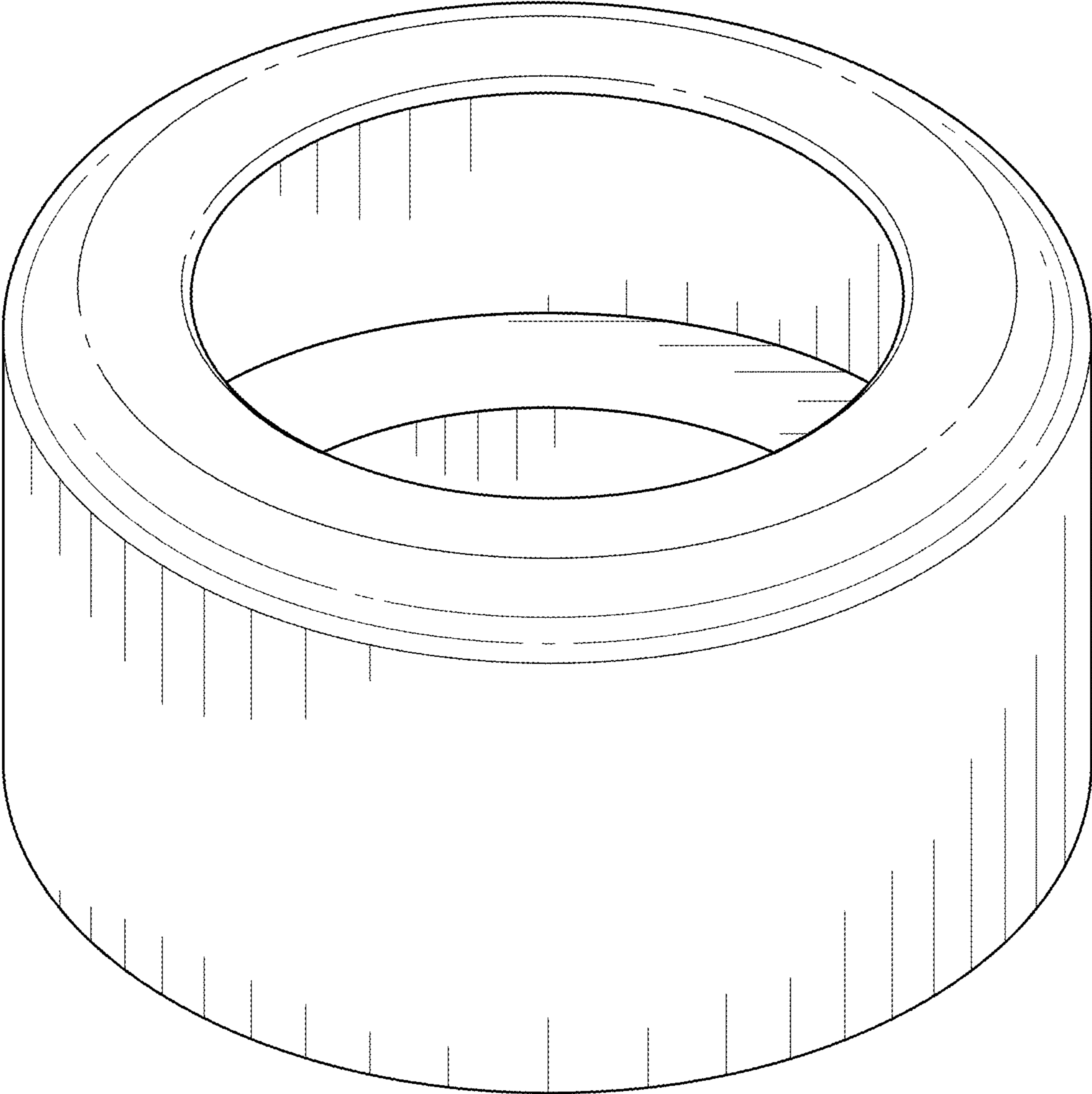


FIG. 1

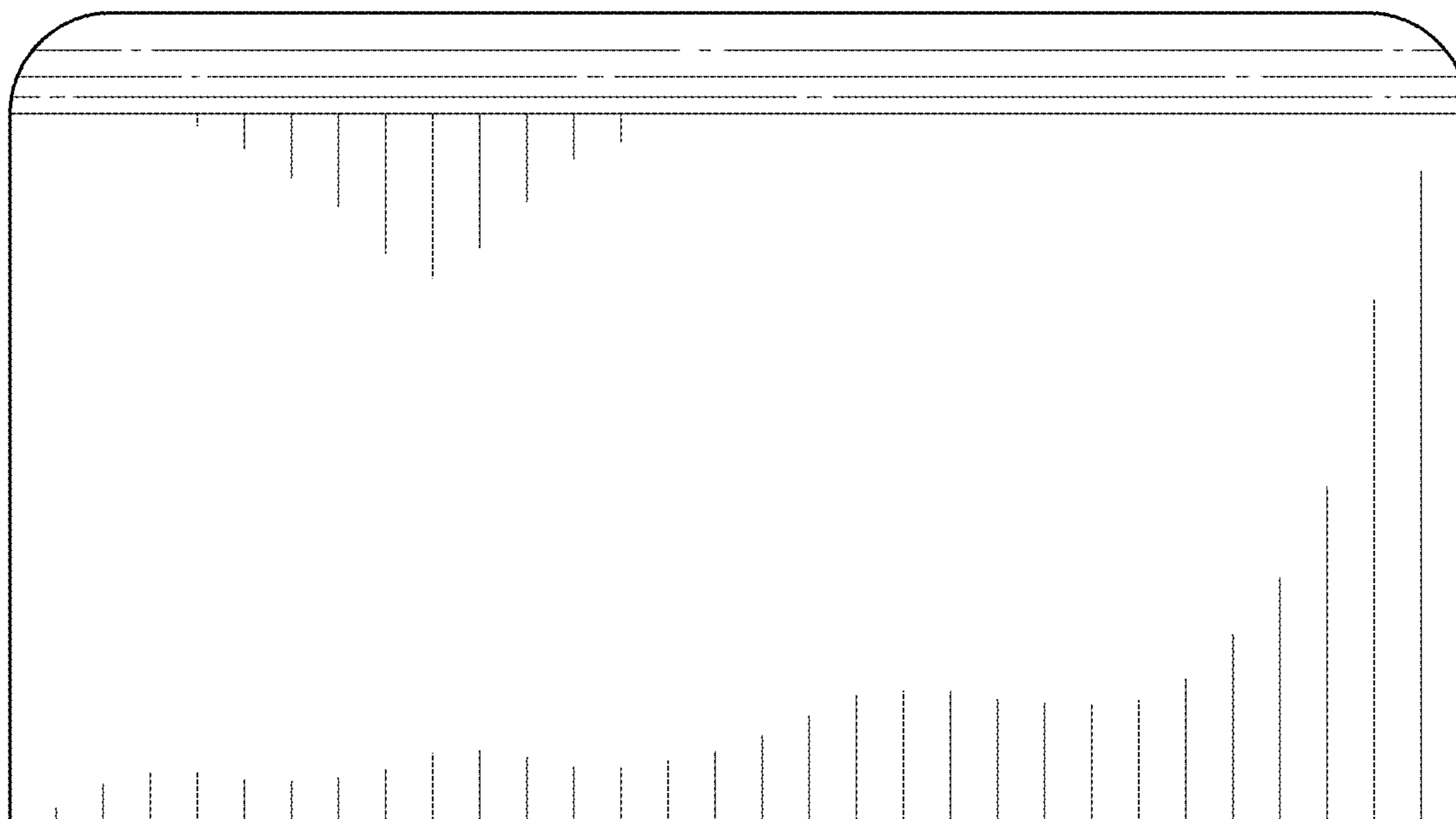


FIG. 2

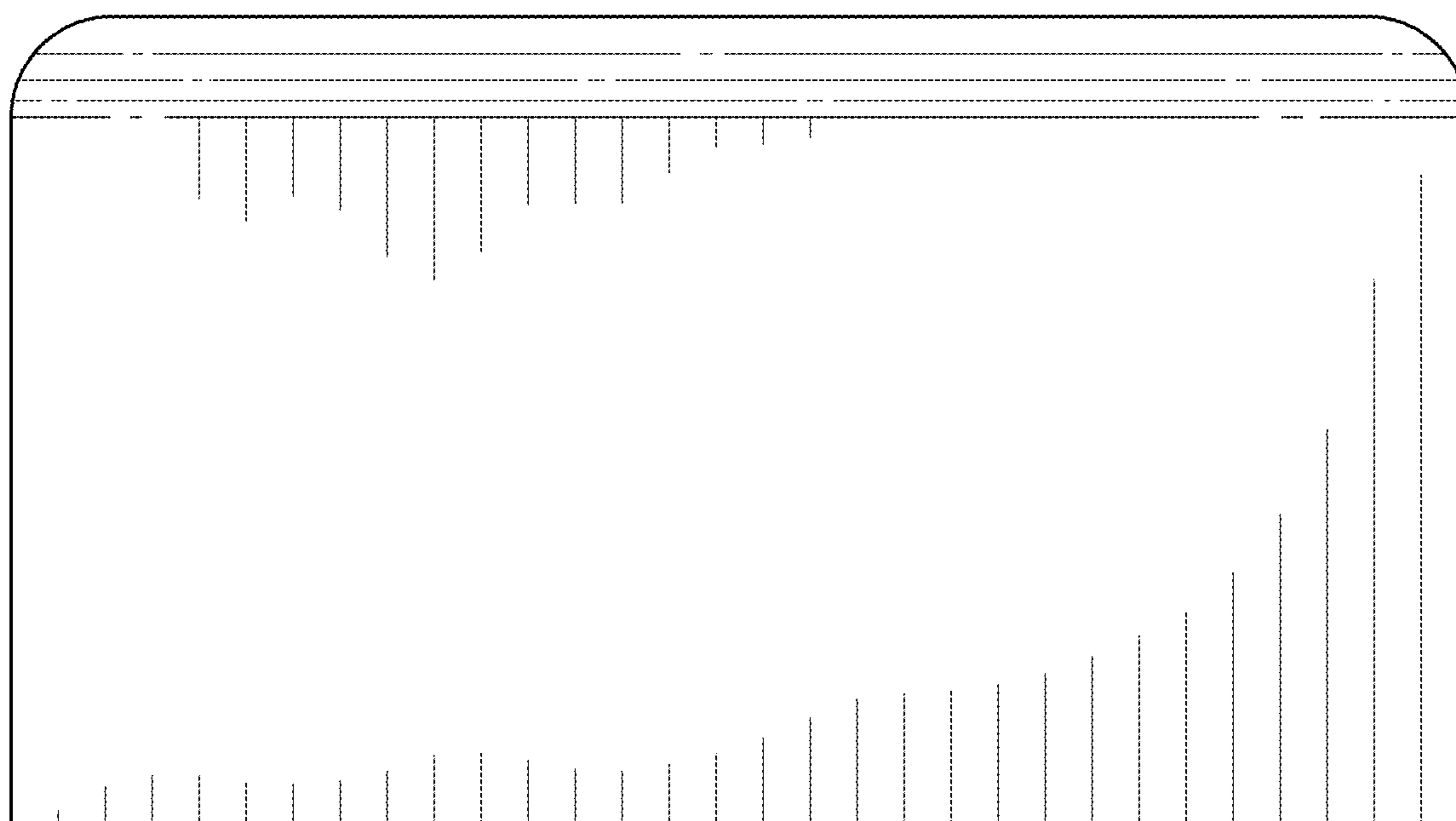


FIG. 3

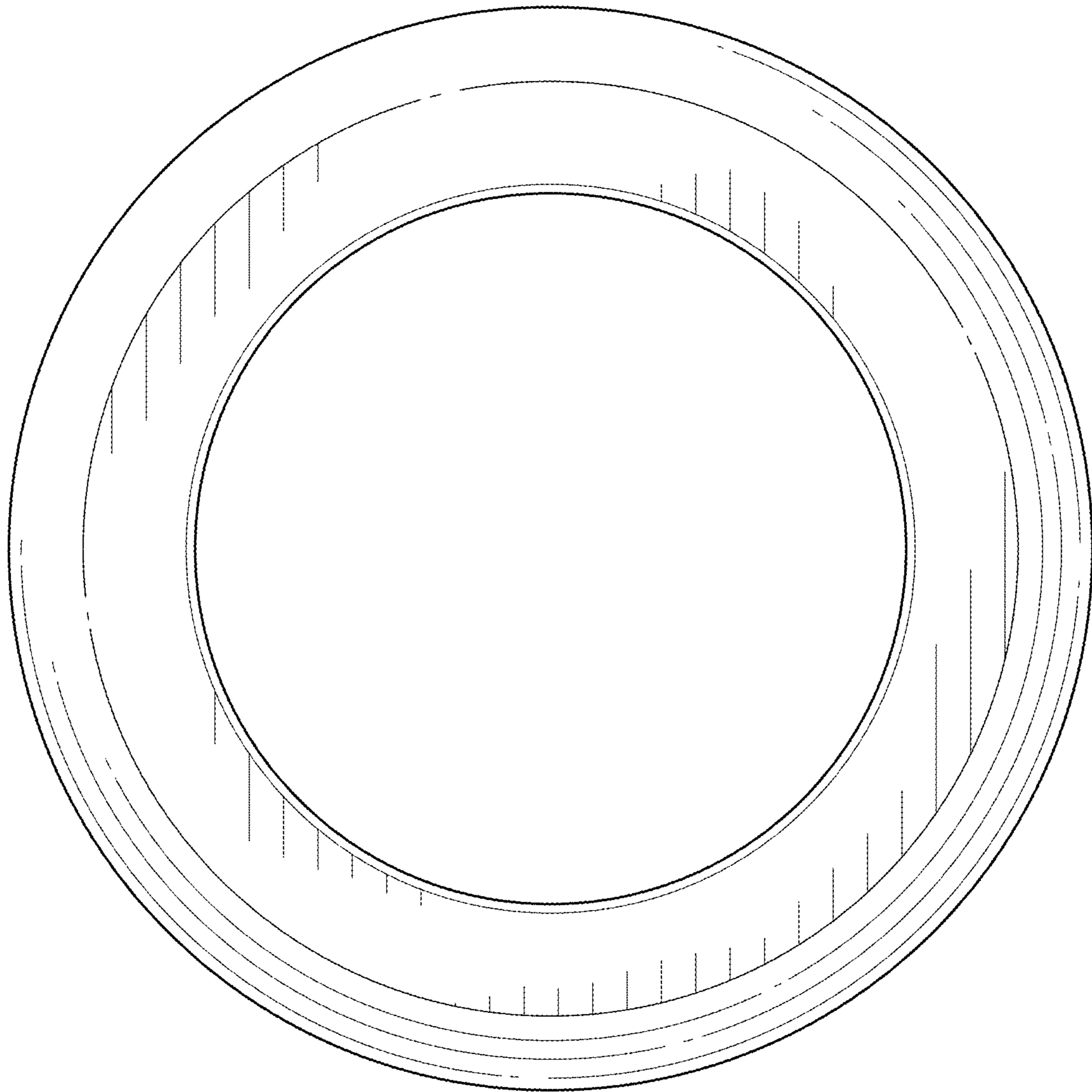


FIG. 4

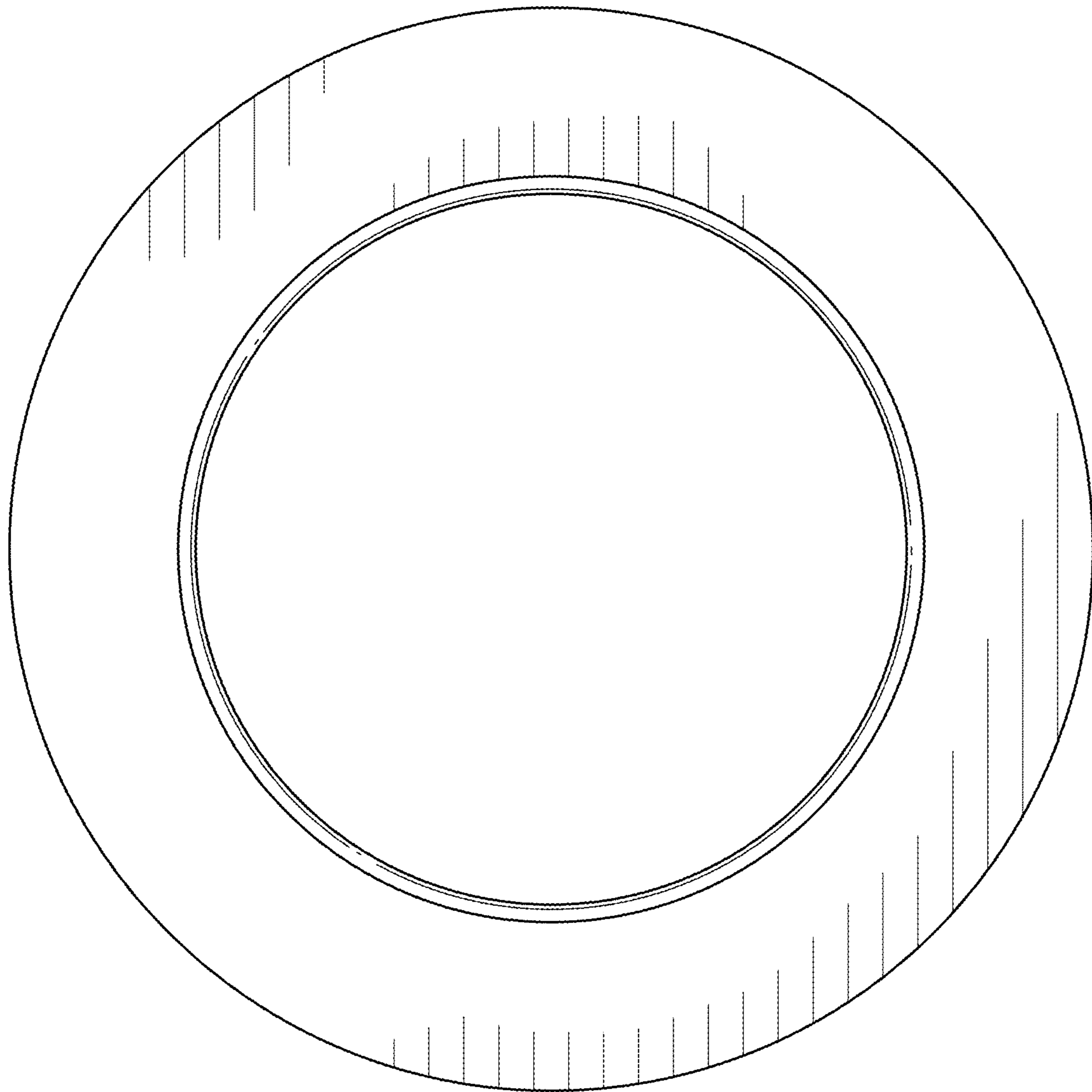


FIG. 5

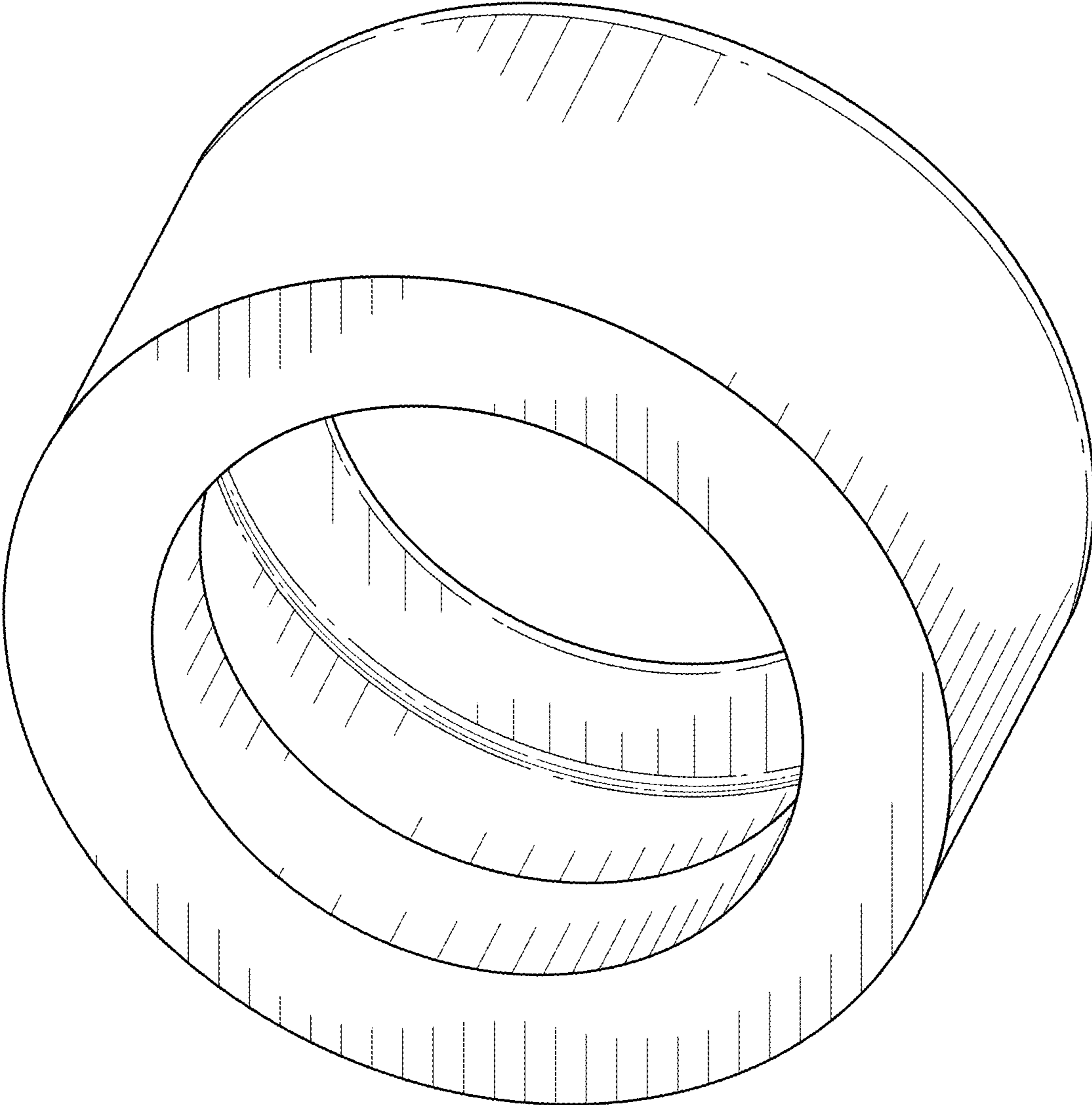


FIG. 6

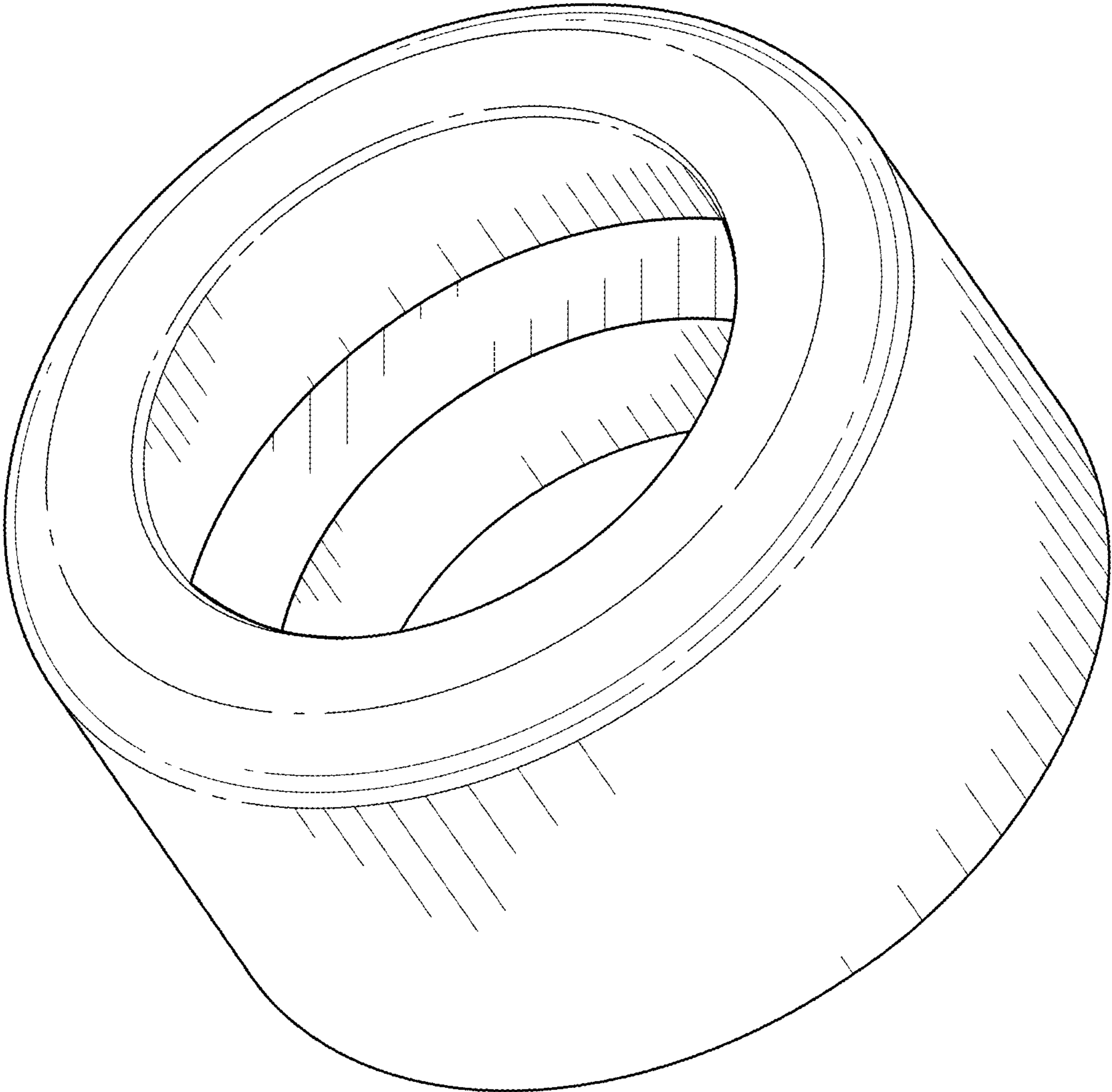


FIG. 7

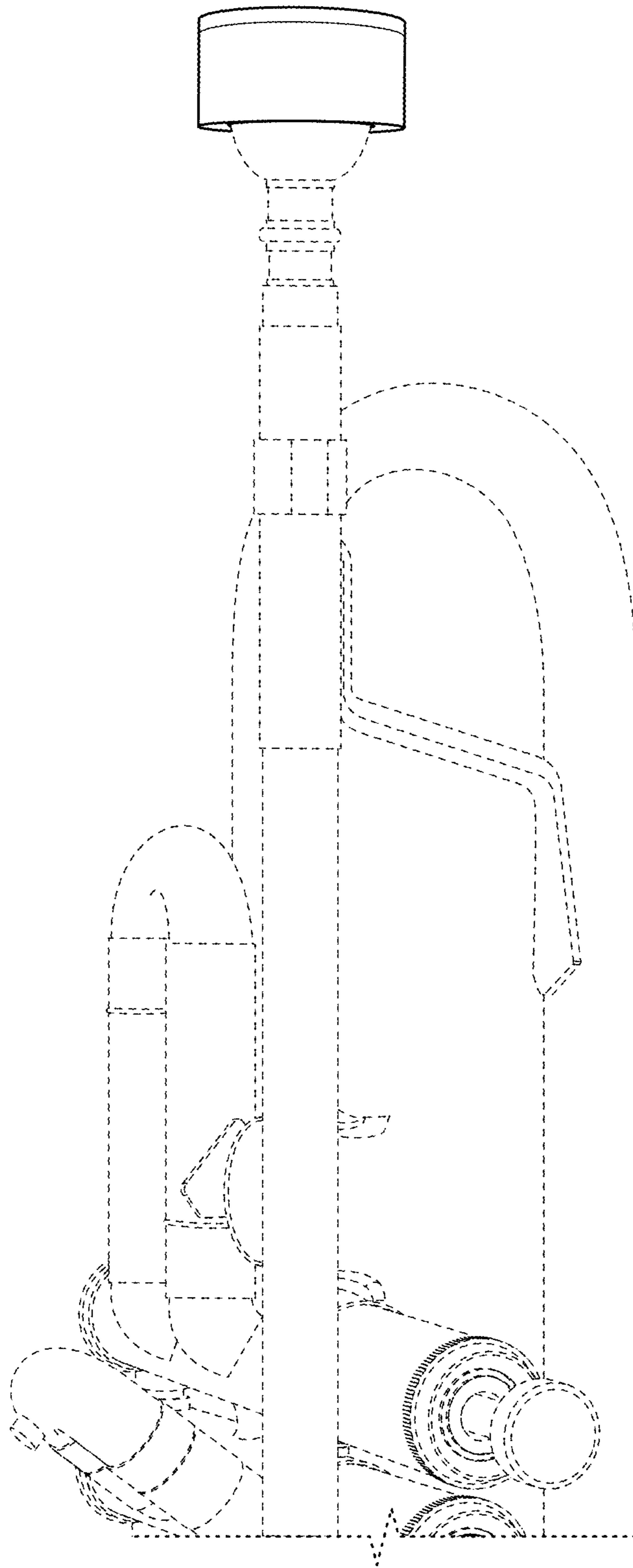


FIG. 8