



US00D939616S

(12) **United States Design Patent**  
**Zhu**

(10) **Patent No.:** **US D939,616 S**

(45) **Date of Patent:** **\*\* Dec. 28, 2021**

(54) **PROJECTION SCREEN**

(71) Applicants: **Wuxi Donghui Video Equipment Co. Ltd., Wuxi (CN); Shen Zhen Neewer Technology Co. Ltd, Shenzhen (CN)**

(72) Inventor: **Jingli Zhu, Wuxi (CN)**

(73) Assignees: **Wuxi Donghui Video Equipment Co. Ltd., Wuxi (CN); Shen Zhen Neewer Technology, Shenzhen (CN)**

(\*\*) Term: **15 Years**

(21) Appl. No.: **29/760,072**

(22) Filed: **Nov. 29, 2020**

(51) **LOC (13) Cl.** ..... **16-05**

(52) **U.S. Cl.**  
USPC ..... **D16/241**

(58) **Field of Classification Search**  
USPC ..... D16/219, 237-350  
CPC ..... G02B 7/00-002; G03B 17/56; G03B 17/561-566; G03B 21/58; H04N 5/2253-2254  
See application file for complete search history.

(56) **References Cited**

**U.S. PATENT DOCUMENTS**

1,897,273	A *	2/1933	Nagel	.....	G03B 21/58 160/24
1,915,944	A *	6/1933	Nagel	.....	G03B 21/58 160/24
D323,338	S *	1/1992	Court	.....	160/24
5,798,861	A *	8/1998	Doat	.....	G09F 11/30 359/443
6,191,886	B1 *	2/2001	Sinkoff	.....	G03B 21/58 160/24
6,297,905	B1 *	10/2001	Takamoto	.....	G03B 21/58 359/461
D520,046	S *	5/2006	Miyagawa	.....	D16/241
7,203,000	B2 *	4/2007	Kotera	.....	F16M 11/38 160/84.06

D548,765	S *	8/2007	Kotera	.....	D16/235
7,337,567	B2 *	3/2008	Fritsche	.....	G09F 11/21 40/514
7,426,077	B2 *	9/2008	Miyagawa	.....	G03B 21/56 359/461
D583,386	S	12/2008	Tomizawa et al.		
7,489,444	B1 *	2/2009	Adams	.....	G03B 21/60 359/461
7,612,938	B2 *	11/2009	Liang	.....	G03B 21/58 160/24
7,619,814	B2 *	11/2009	Liang	.....	G03B 21/58 359/443

(Continued)

**OTHER PUBLICATIONS**

Portable Floor Standing Projection Screen, Pull Up Floor Projector Screen. [online] Retrieved Aug. 16, 2021 from URL: [https://wxdonghui.en.alibaba.com/product/60595461821-219301530/Portable\\_Floor\\_Standing\\_Projection\\_Screen\\_Pull\\_Up\\_Floor\\_Projector\\_Screen.html?spm=a2700.shop\\_plgr.41413.14.5fd0cac6djui1u.\\*](https://wxdonghui.en.alibaba.com/product/60595461821-219301530/Portable_Floor_Standing_Projection_Screen_Pull_Up_Floor_Projector_Screen.html?spm=a2700.shop_plgr.41413.14.5fd0cac6djui1u.*)

(Continued)

*Primary Examiner* — Vy N Koenig  
(74) *Attorney, Agent, or Firm* — W&KIP

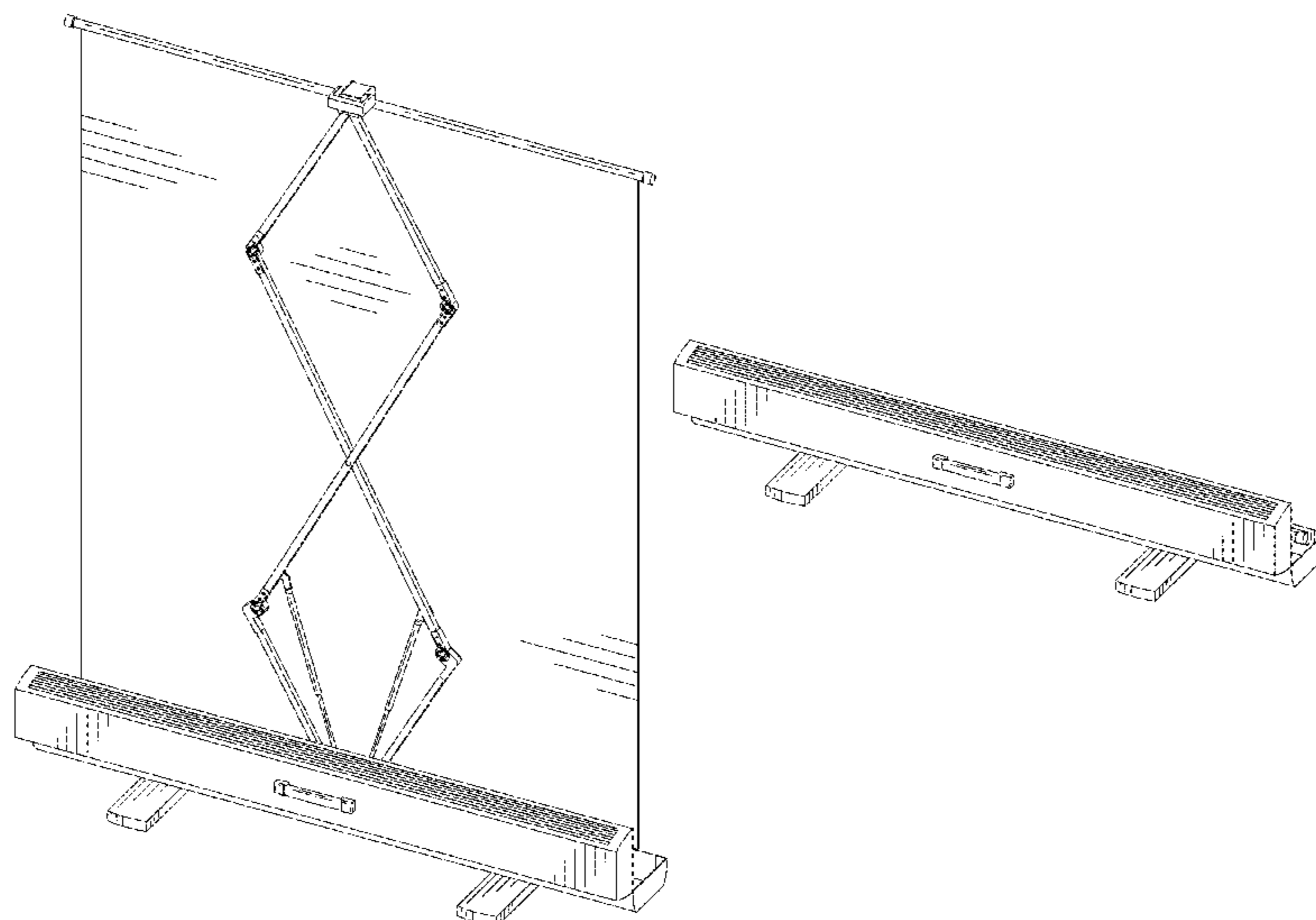
(57) **CLAIM**

The ornamental design for a projection screen, as shown and described.

**DESCRIPTION**

FIG. 1 is a perspective view of a projection screen showing my new design;  
FIG. 2 is a front view thereof;  
FIG. 3 is a rear view thereof;  
FIG. 4 is a left side view thereof;  
FIG. 5 is a right side view thereof;  
FIG. 6 is a top plan view thereof;  
FIG. 7 is a bottom plan view thereof; and,  
FIG. 8 is a perspective view of the projection screen of FIGS. 1-7 in an alternate folded state.

**1 Claim, 8 Drawing Sheets**



(56)

References Cited

U.S. PATENT DOCUMENTS

7,623,290	B2 *	11/2009	Liang .....	G03B 21/56 359/443
7,636,194	B2 *	12/2009	Miyagawa .....	G03B 21/58 359/443
8,031,400	B2 *	10/2011	Wang .....	G03B 21/58 359/461
D654,945	S	2/2012	Giammarinaro, Jr.	
D773,866	S *	12/2016	Hogberg .....	D6/681
D806,170	S *	12/2017	Sim .....	D20/43
D875,815	S *	2/2020	Fest .....	D16/241
2007/0121088	A1 *	5/2007	Liang .....	G03B 21/58 353/119
2007/0121209	A1 *	5/2007	Liang .....	G03B 21/58 359/461
2011/0032612	A1 *	2/2011	Abe .....	G03B 21/58 359/461
2020/0159288	A1 *	5/2020	Song .....	G06F 1/1652

OTHER PUBLICATIONS

Portable Floor Standing Projector Screens/Outdoor Projection Screen. [online] Retrieved Aug. 16, 2021 from URL: [https://www.alibaba.com/product-detail/Portable-Floor-Standing-Projector-Screens-Outdoor\\_1100545485.html?spm=a2700.details.0.0.353f29d015Hptq.\\*](https://www.alibaba.com/product-detail/Portable-Floor-Standing-Projector-Screens-Outdoor_1100545485.html?spm=a2700.details.0.0.353f29d015Hptq.*)

Elite Screens ezCinema 2, Manual Floor Pull Up Scissor Backed Projector Screen, 70-inch 16:9 . . . [online] First available on Amazon Oct. 1, 2018. Retrieved from URL: [https://www.amazon.com/Elite-Screens-ezCinema-Scissor-Projector/dp/B011STVGQS?th=1.\\*](https://www.amazon.com/Elite-Screens-ezCinema-Scissor-Projector/dp/B011STVGQS?th=1.*)

Pyle PRJSF1009 100-Inch Floor Standing Portable Easy Roll-Up Pull-Out Projection Screen Matte White. [online] First available on Amazon Sep. 16, 2013. Retrieved from URL: [https://www.amazon.com/Pyle-PRJSF1009-100-Inch-Standing-Projection/dp/B00F93S88O.\\*](https://www.amazon.com/Pyle-PRJSF1009-100-Inch-Standing-Projection/dp/B00F93S88O.*)

\* cited by examiner

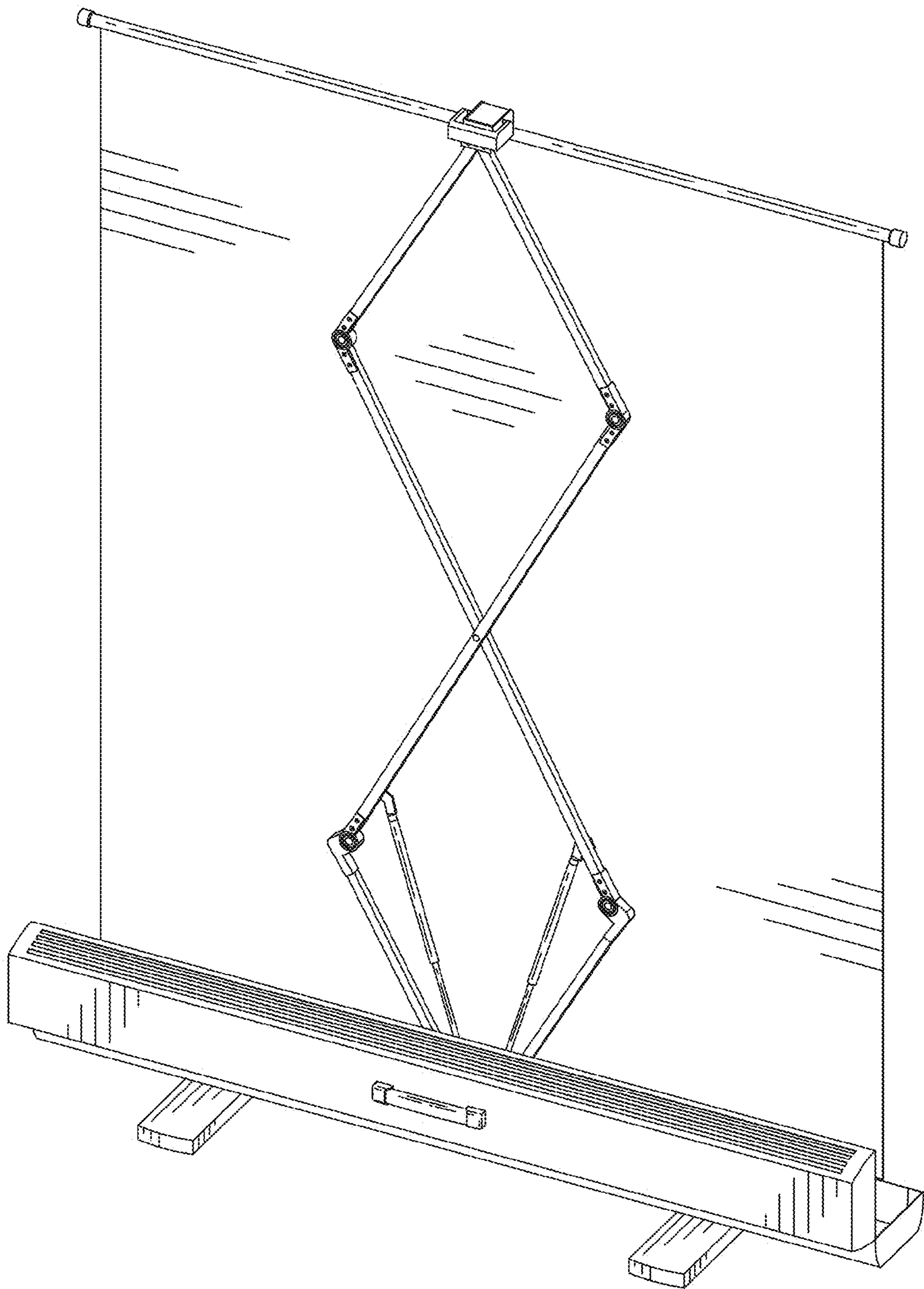


FIG. 1



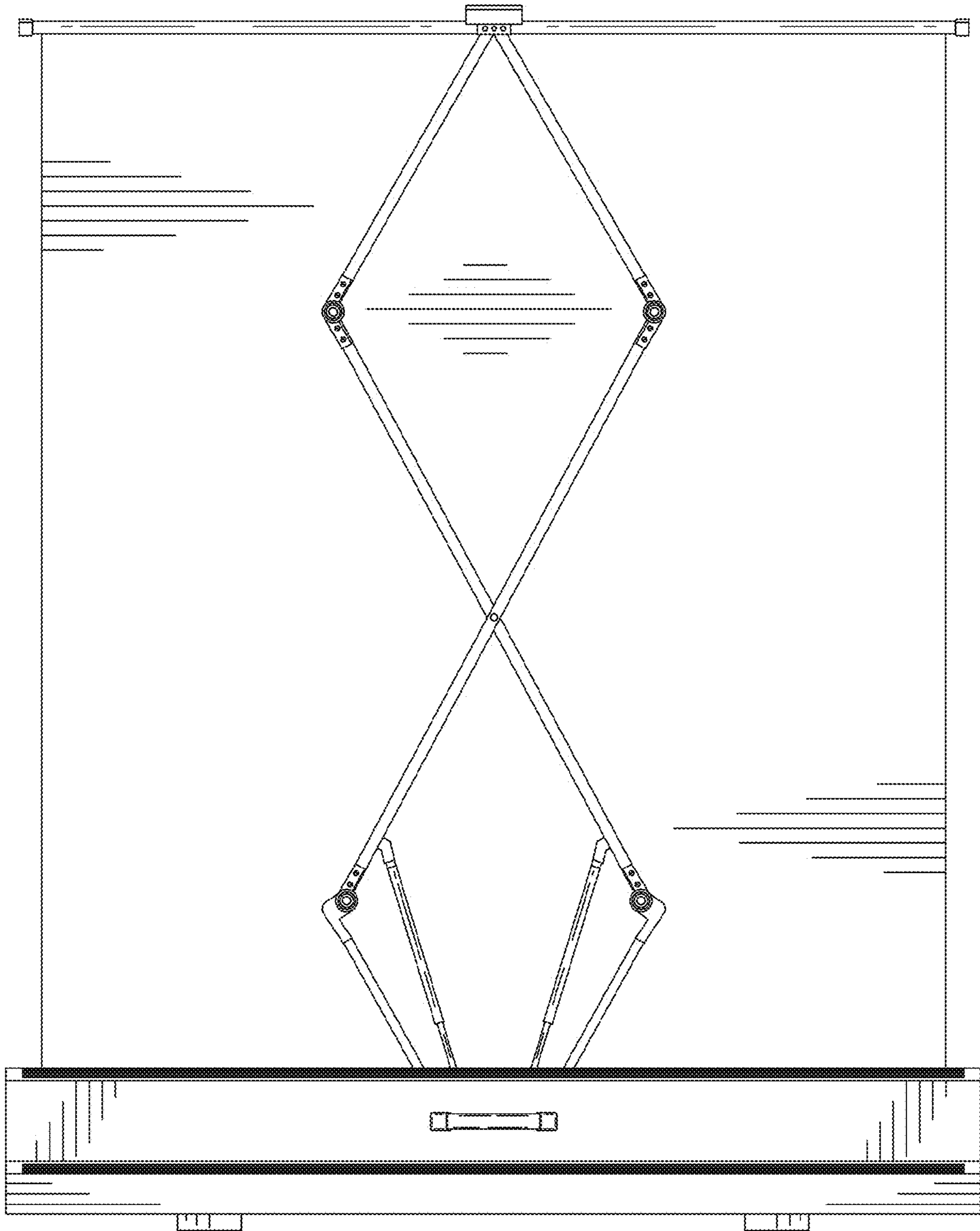


FIG. 2

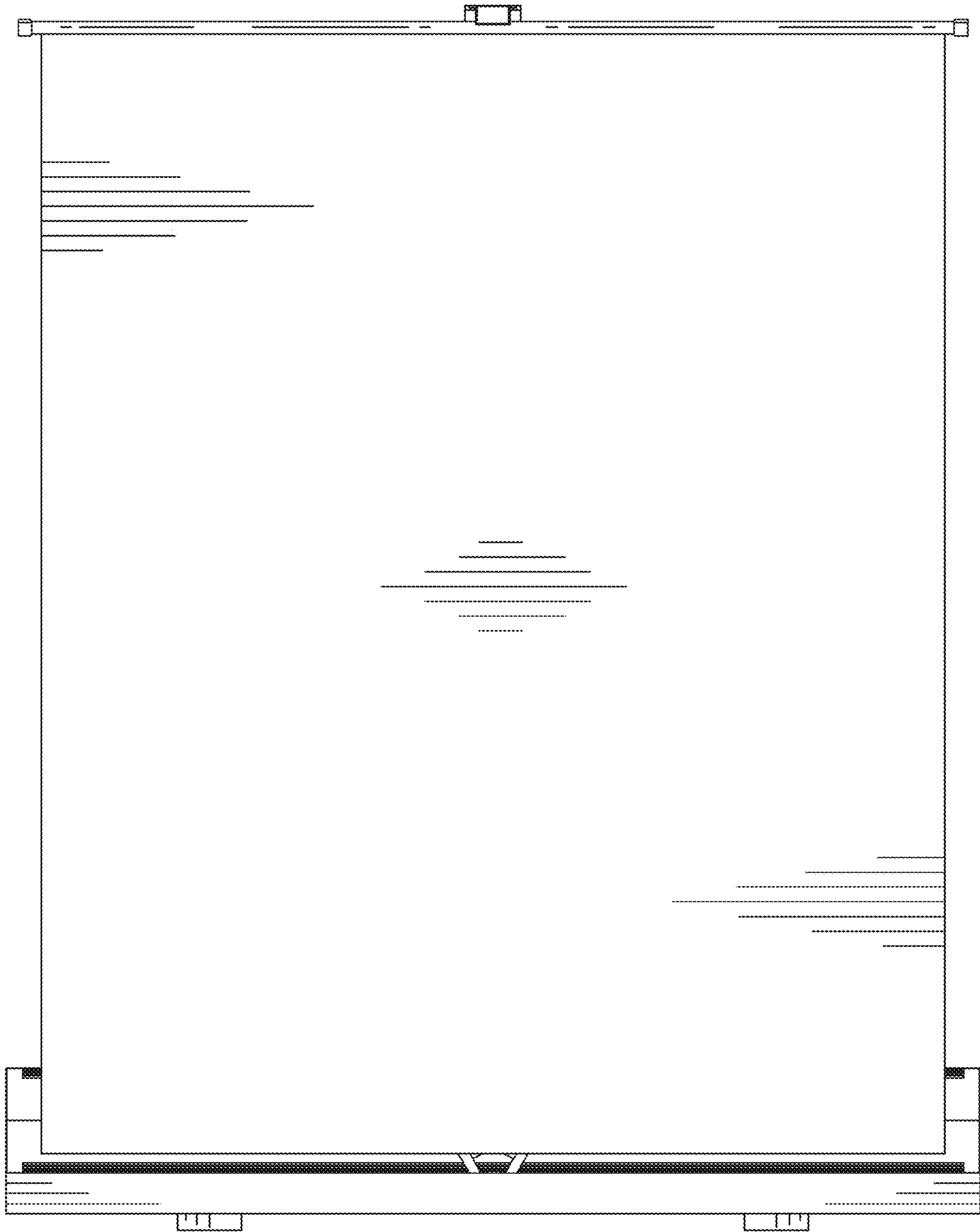


FIG. 3

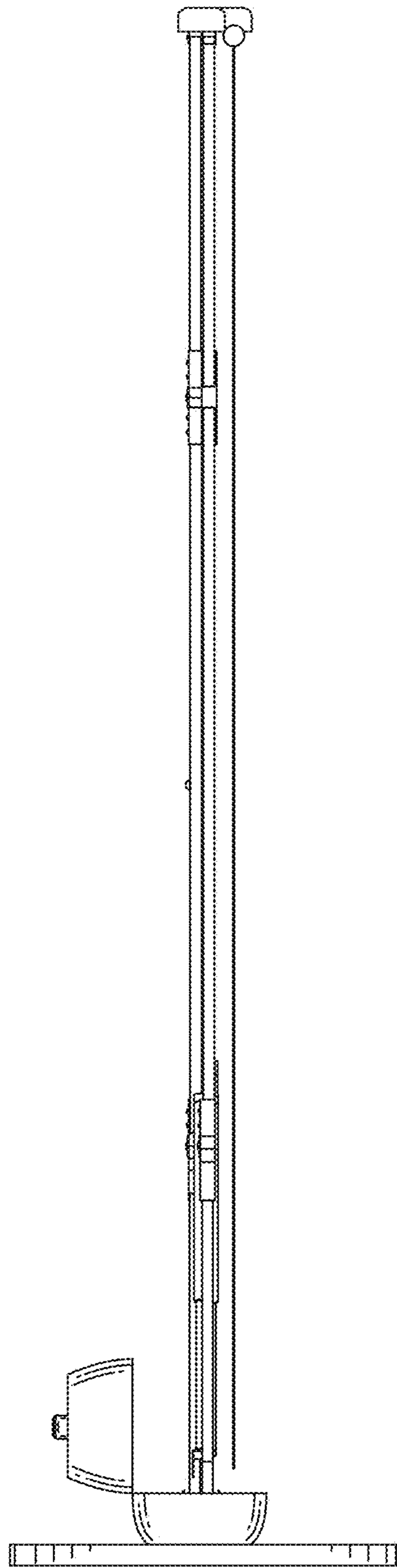


FIG. 4

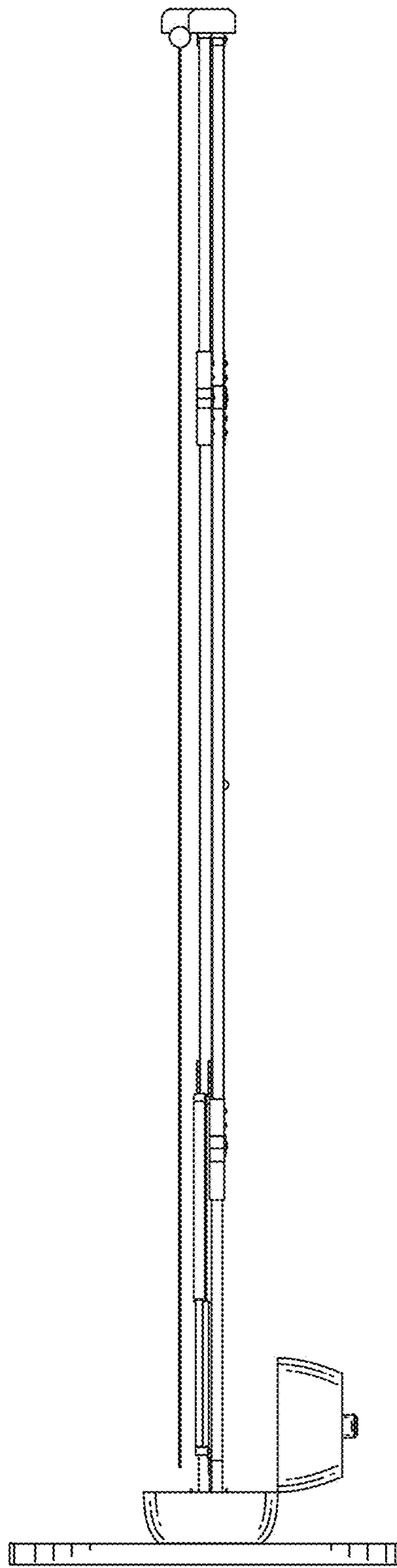


FIG. 5

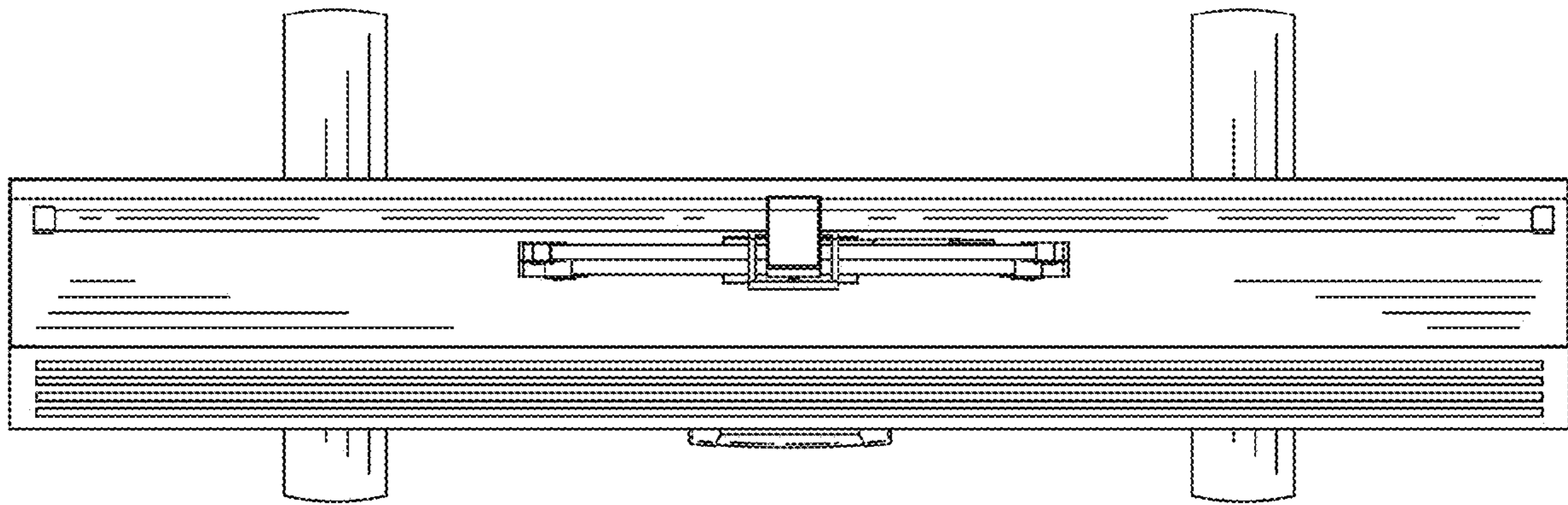


FIG. 6



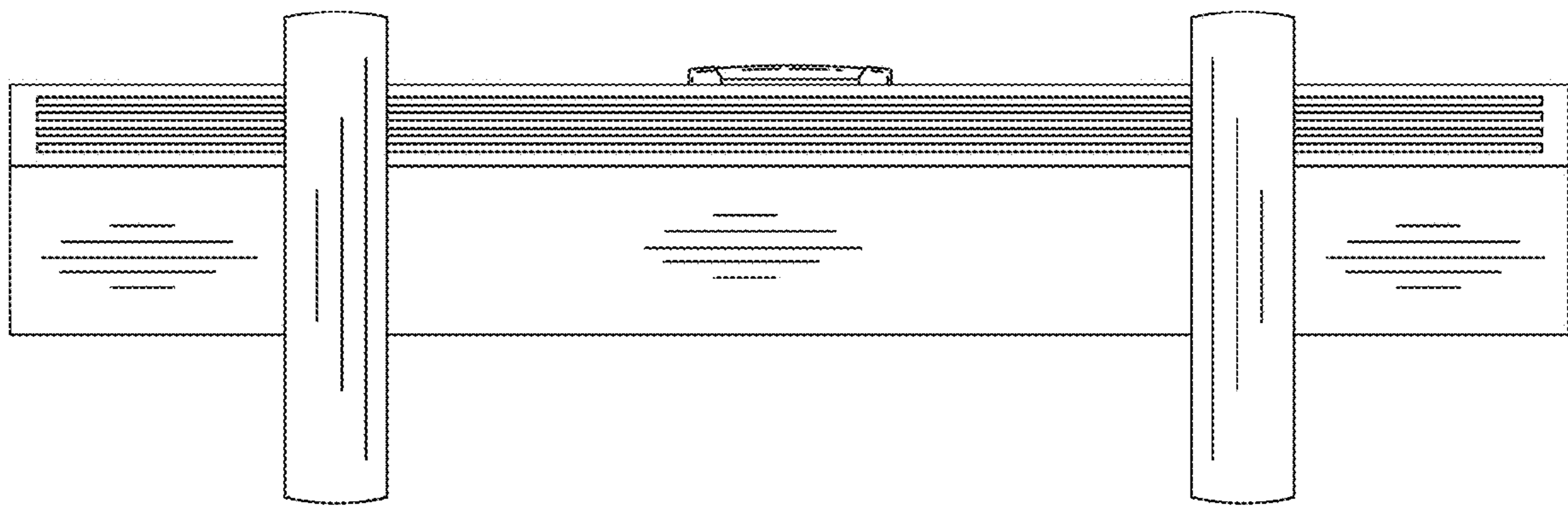


FIG. 7

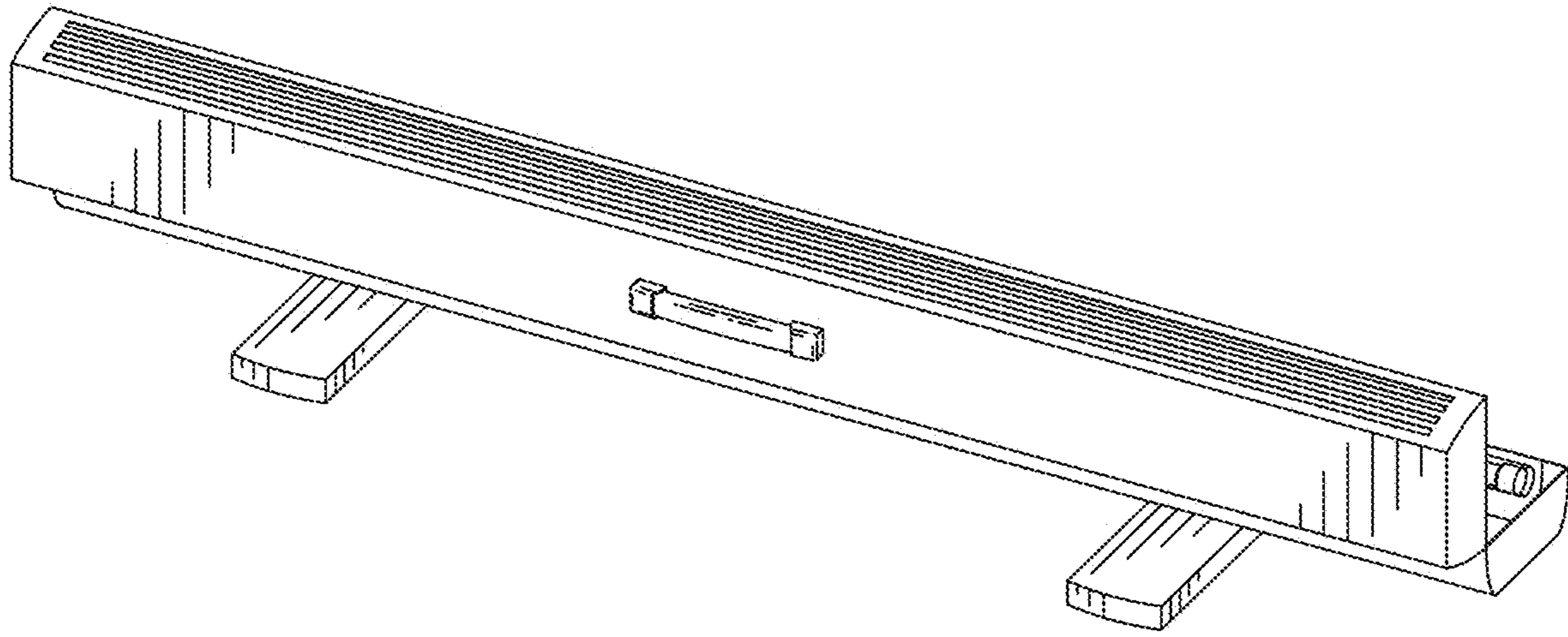


FIG. 8