



US00D939614S

(12) **United States Design Patent**
Mao

(10) **Patent No.:** **US D939,614 S**

(45) **Date of Patent:** **** Dec. 28, 2021**

(54) **PROJECTOR**

(71) Applicant: **Feng Mao**, Guangdong (CN)

(72) Inventor: **Feng Mao**, Guangdong (CN)

(73) Assignee: **Golden Coast Technology (Shen zhen) CO., LTD**, Guangdong (CN)

(**) Term: **15 Years**

(21) Appl. No.: **29/748,039**

(22) Filed: **Aug. 27, 2020**

(51) **LOC (13) Cl.** **16-02**

(52) **U.S. Cl.**
USPC **D16/230; D16/225**

(58) **Field of Classification Search**
USPC D16/221, 225, 230-231, 234; D21/514
CPC G03B 21/145; G03B 21/14; G03B 21/16;
G03B 21/00; G03B 21/001; G03B 21/003
See application file for complete search history.

(56) **References Cited**

U.S. PATENT DOCUMENTS

D454,360 S * 3/2002 Shimizu D16/230
D473,253 S * 4/2003 Shimamoto D16/225

D555,185 S * 11/2007 Nozue D16/225
D831,096 S * 10/2018 Gao D16/230
D850,517 S * 6/2019 Li D16/230
D865,033 S * 10/2019 Cheng D16/230
D871,489 S * 12/2019 Wan D16/230
D879,182 S * 3/2020 Deng D16/230
D882,670 S * 4/2020 He D16/230
D914,792 S * 3/2021 Li D16/230
D921,091 S * 6/2021 Wu D16/230

* cited by examiner

Primary Examiner — Wan Laymon

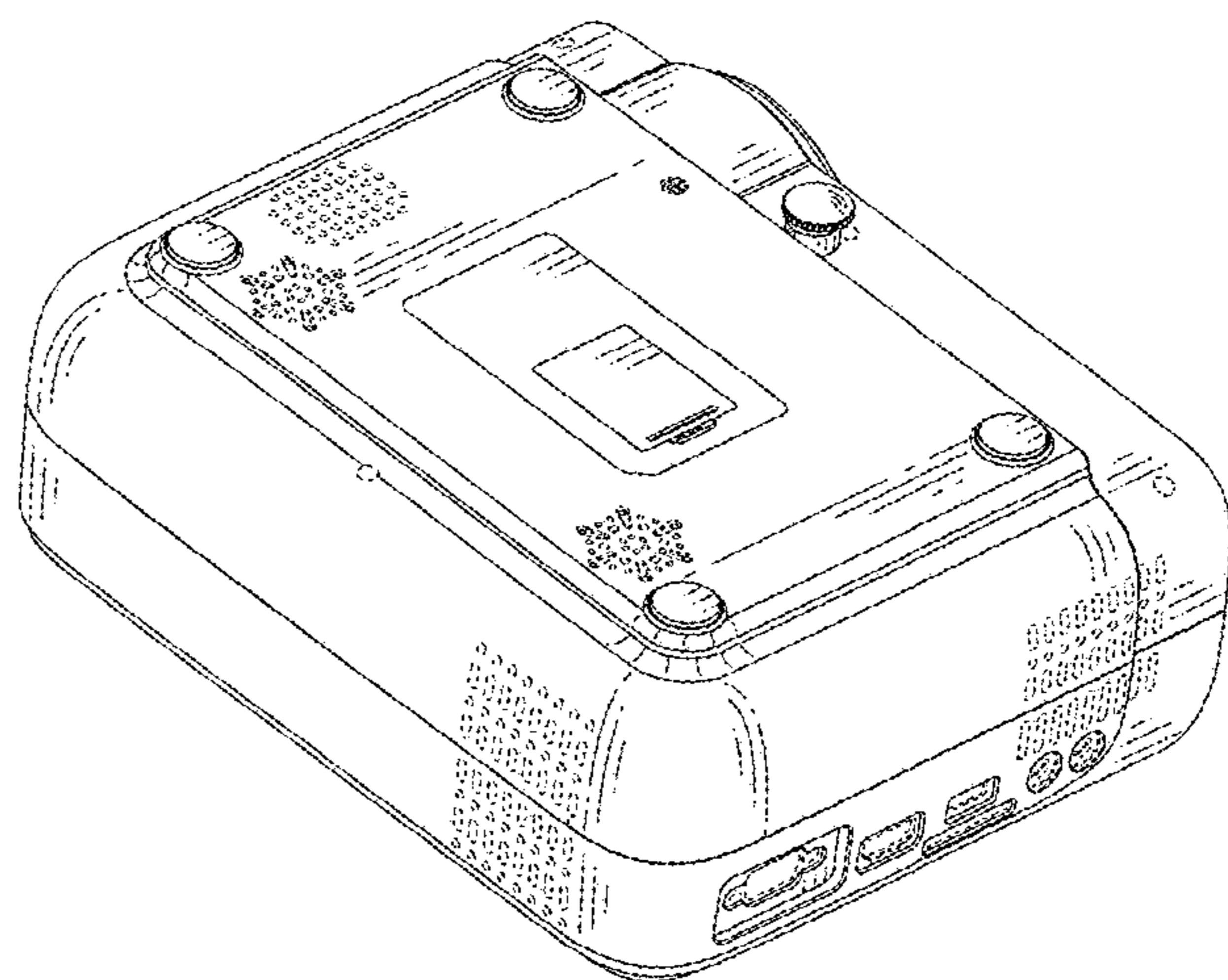
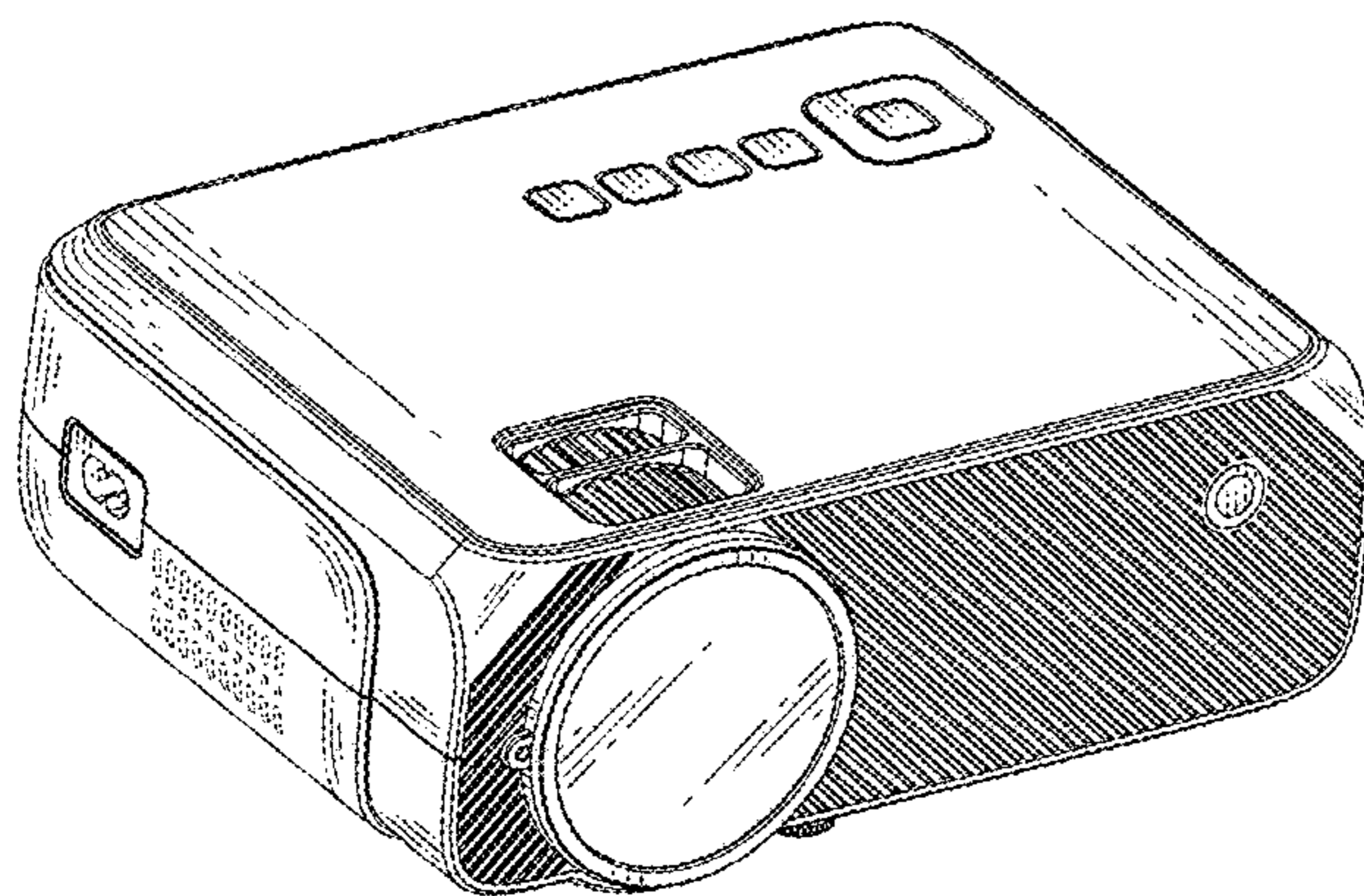
(57) **CLAIM**

The ornamental design for a projector, as shown and described.

DESCRIPTION

FIG. 1 is a front, left, top perspective view of a projector showing my new design;
FIG. 2 is a front elevational view thereof;
FIG. 3 is a rear elevational view thereof;
FIG. 4 is a left side elevational view thereof;
FIG. 5 is a right side elevational view thereof;
FIG. 6 is a top plan view thereof;
FIG. 7 is a bottom plan view thereof; and,
FIG. 8 is a rear, right, bottom side perspective view thereof.
The broken lines in the drawings depict portions of the projector that form no part of the claimed design.

1 Claim, 8 Drawing Sheets



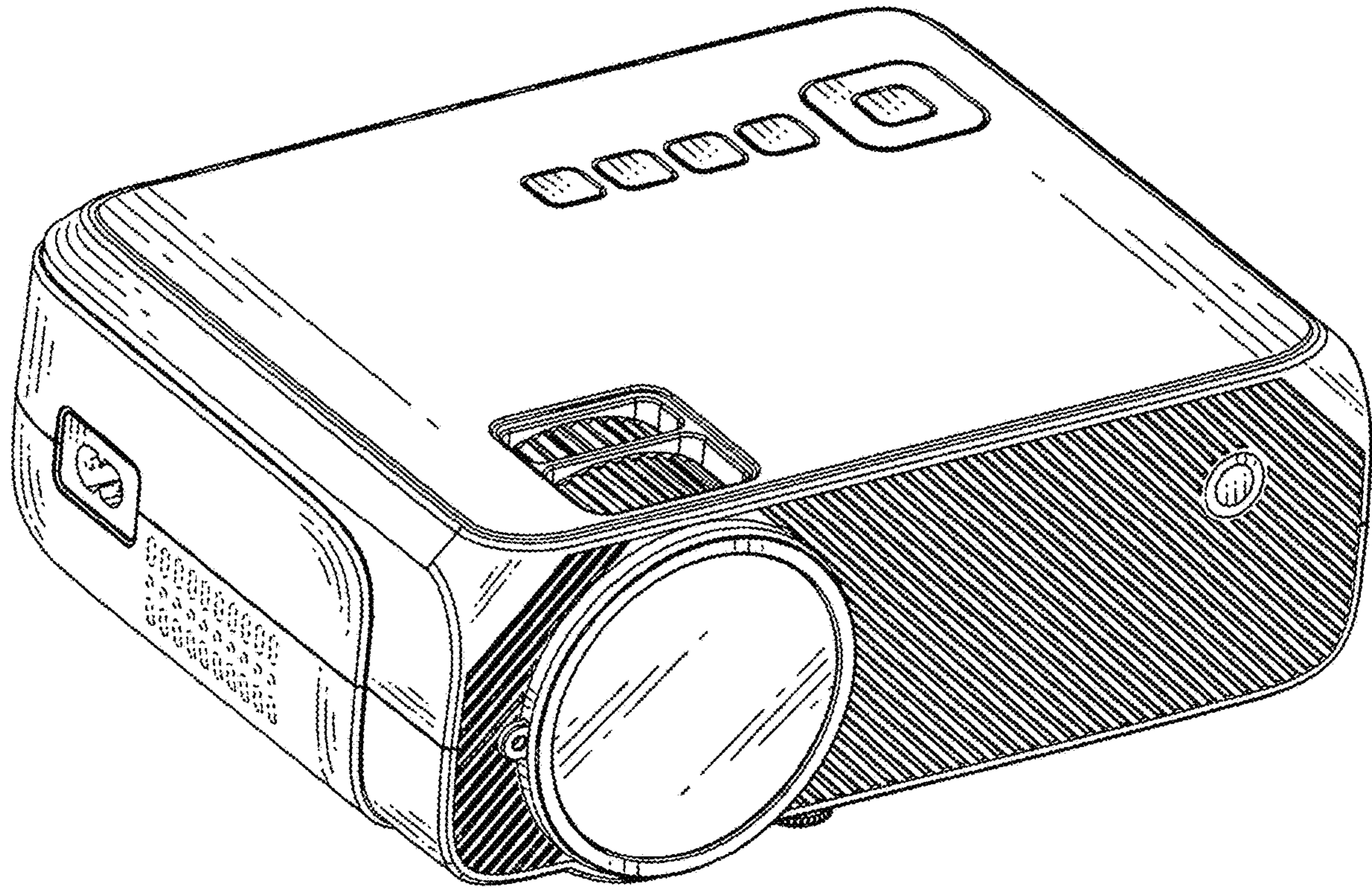


FIG. 1

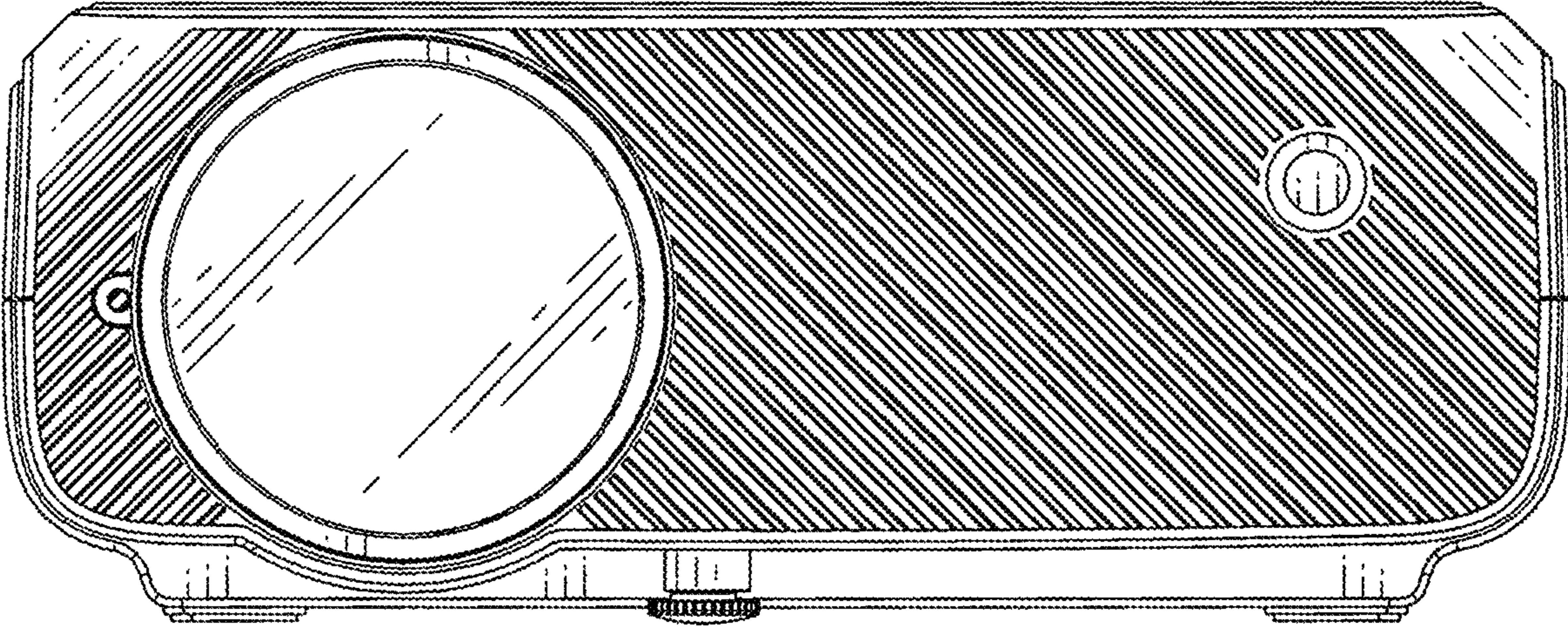


FIG. 2

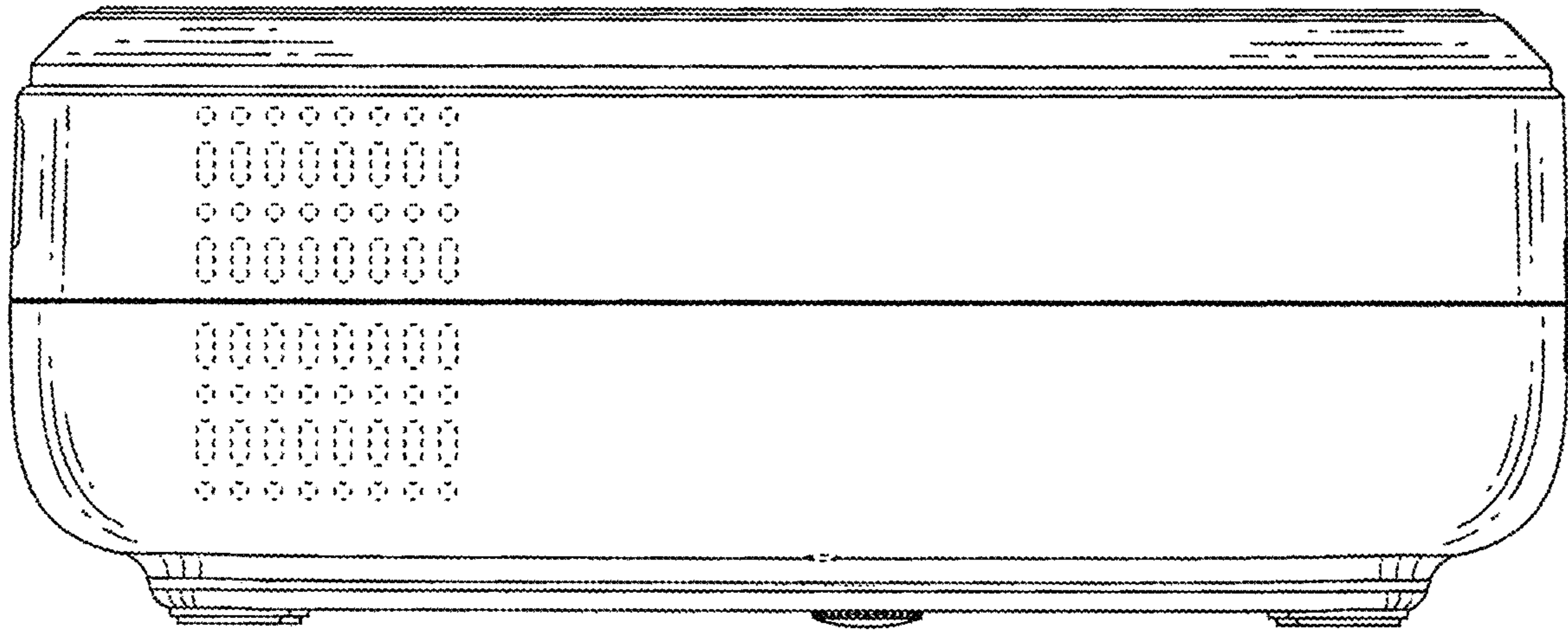


FIG. 3

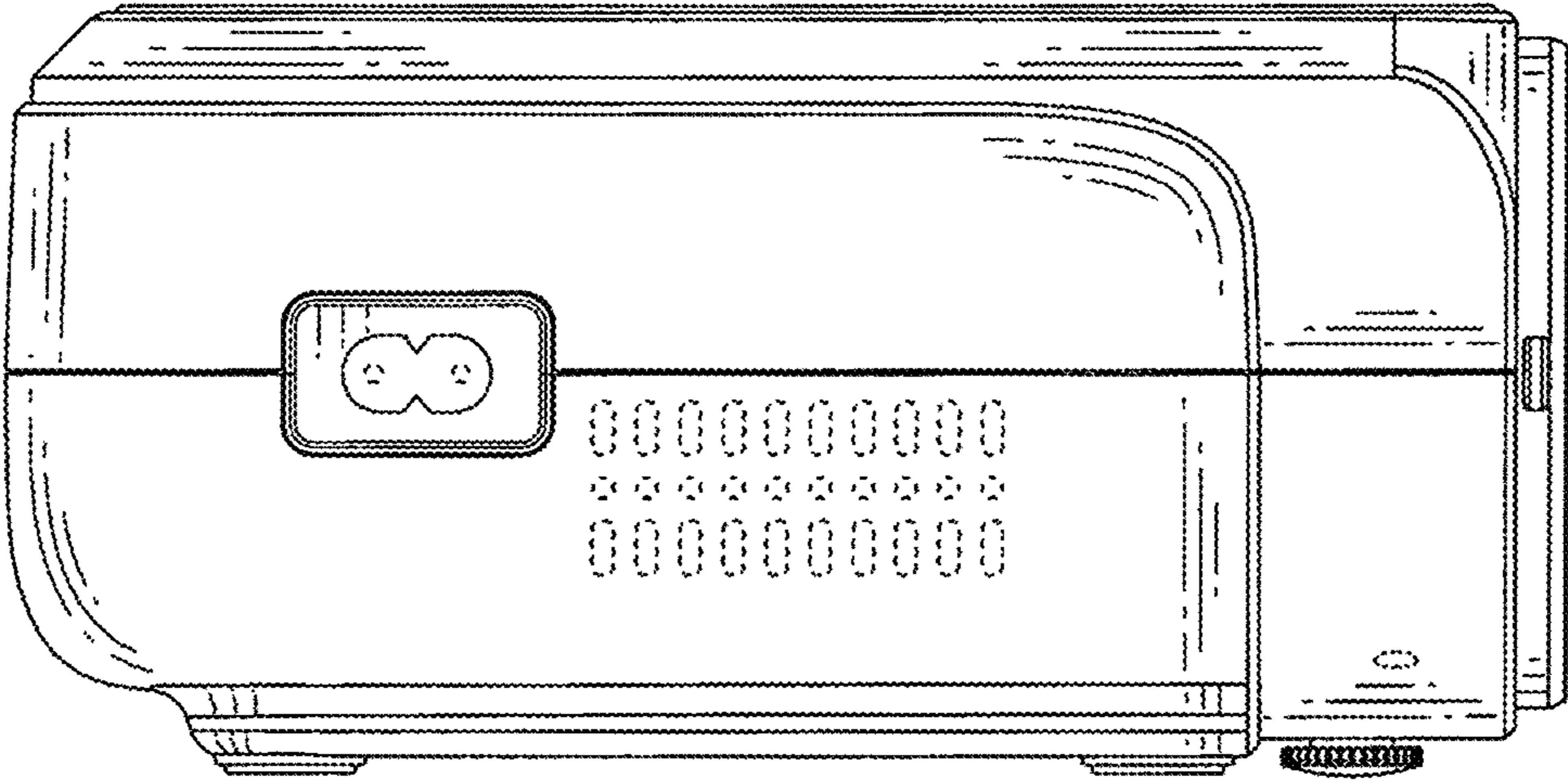


FIG. 4

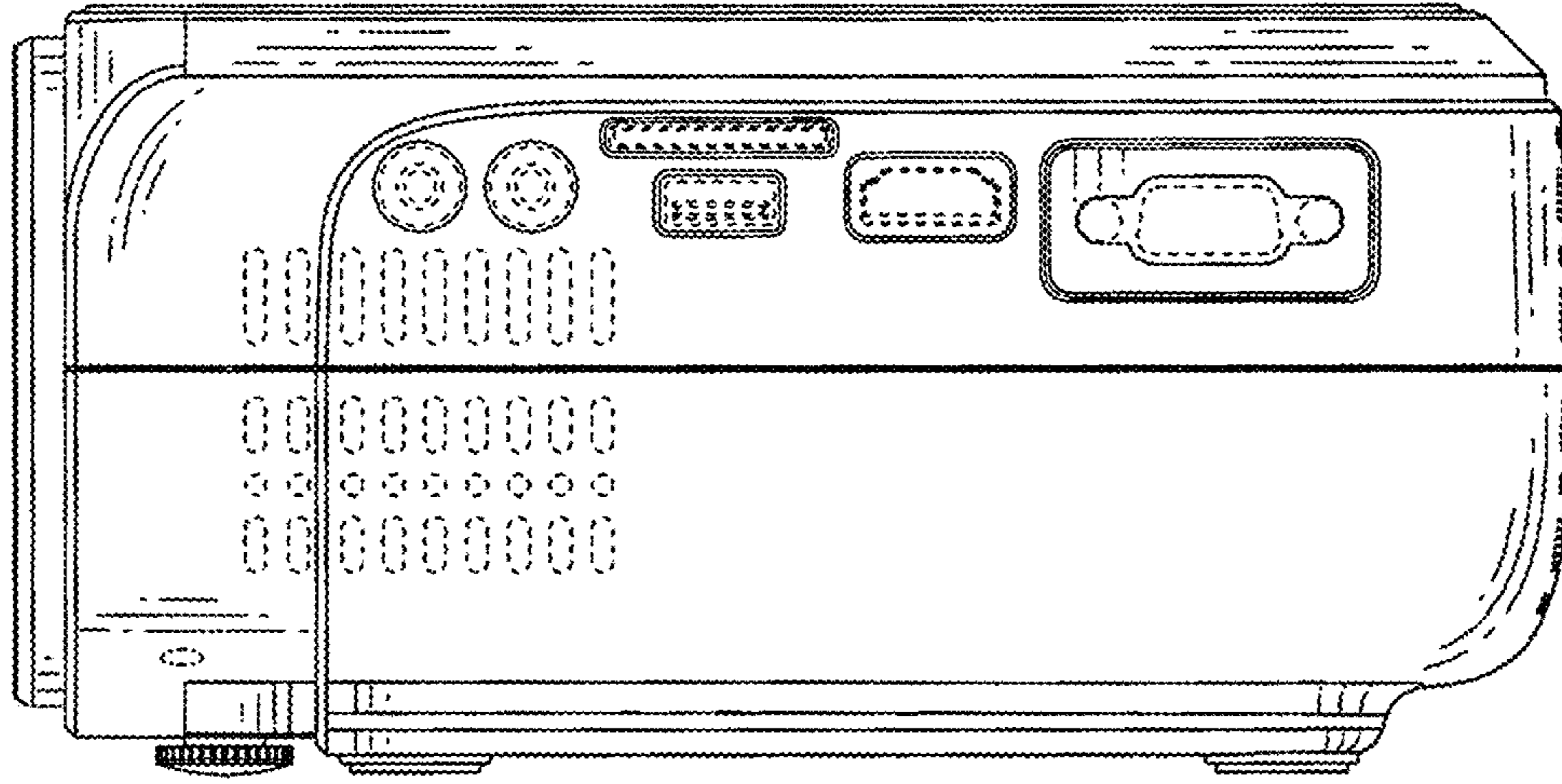


FIG. 5

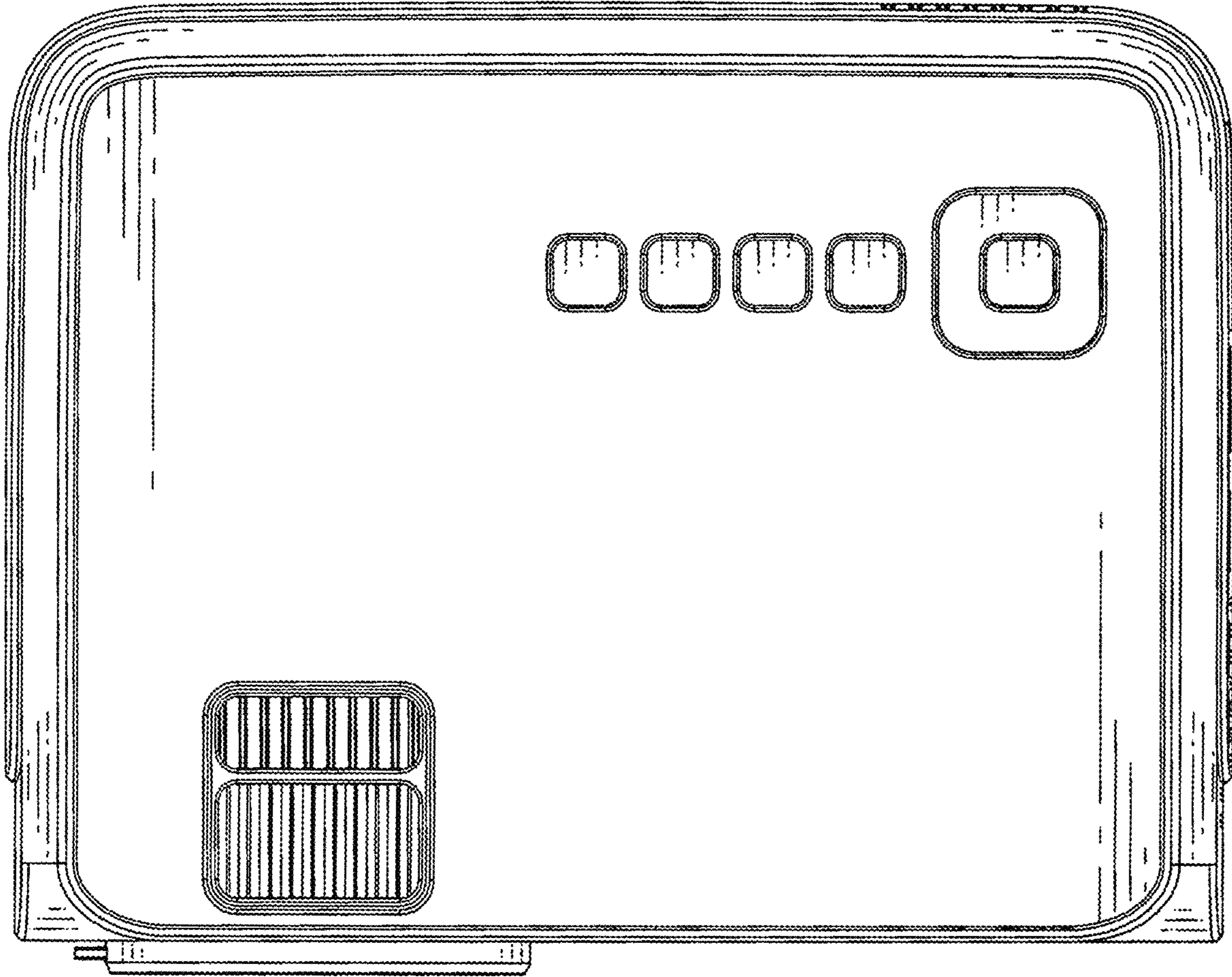


FIG. 6

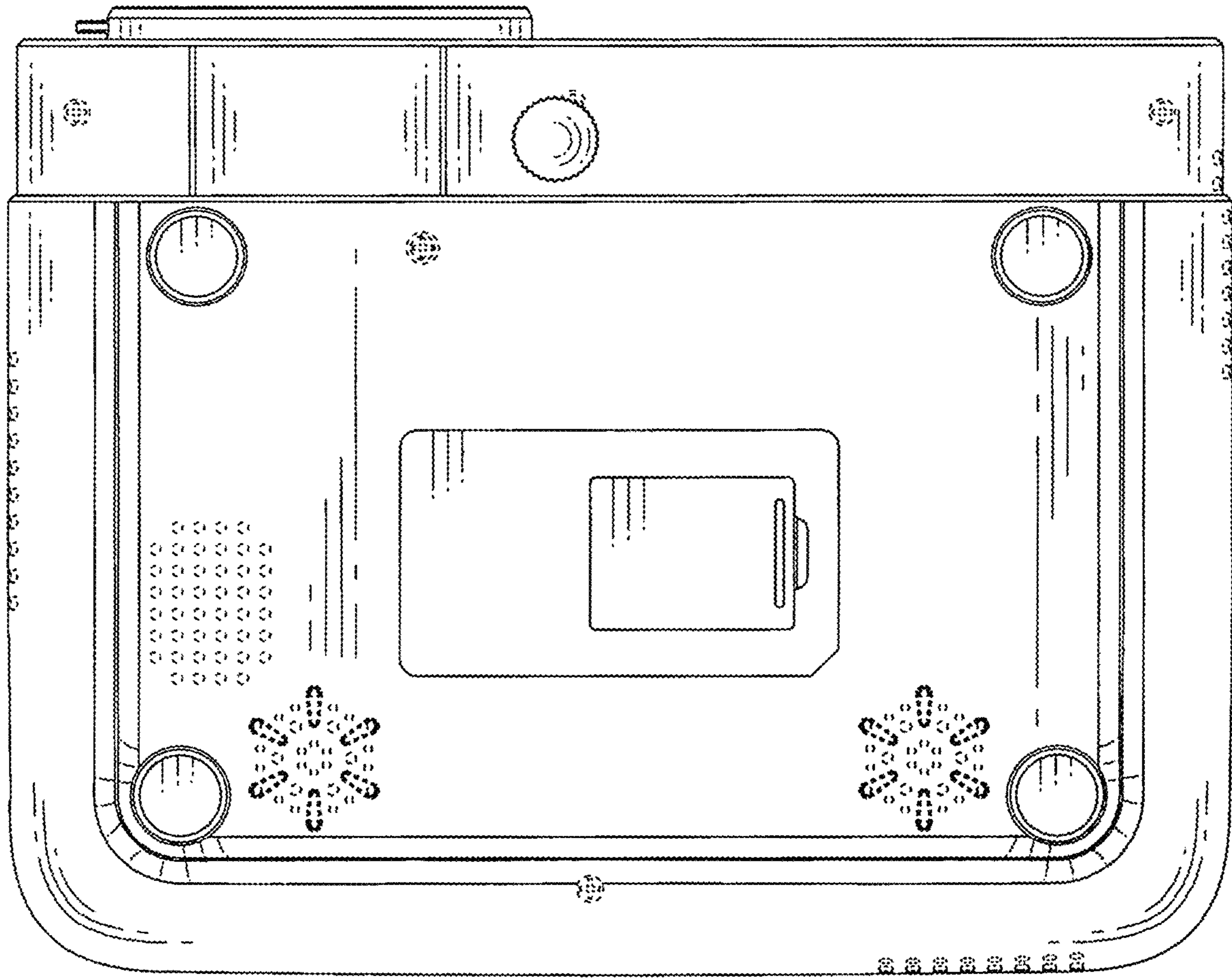


FIG. 7

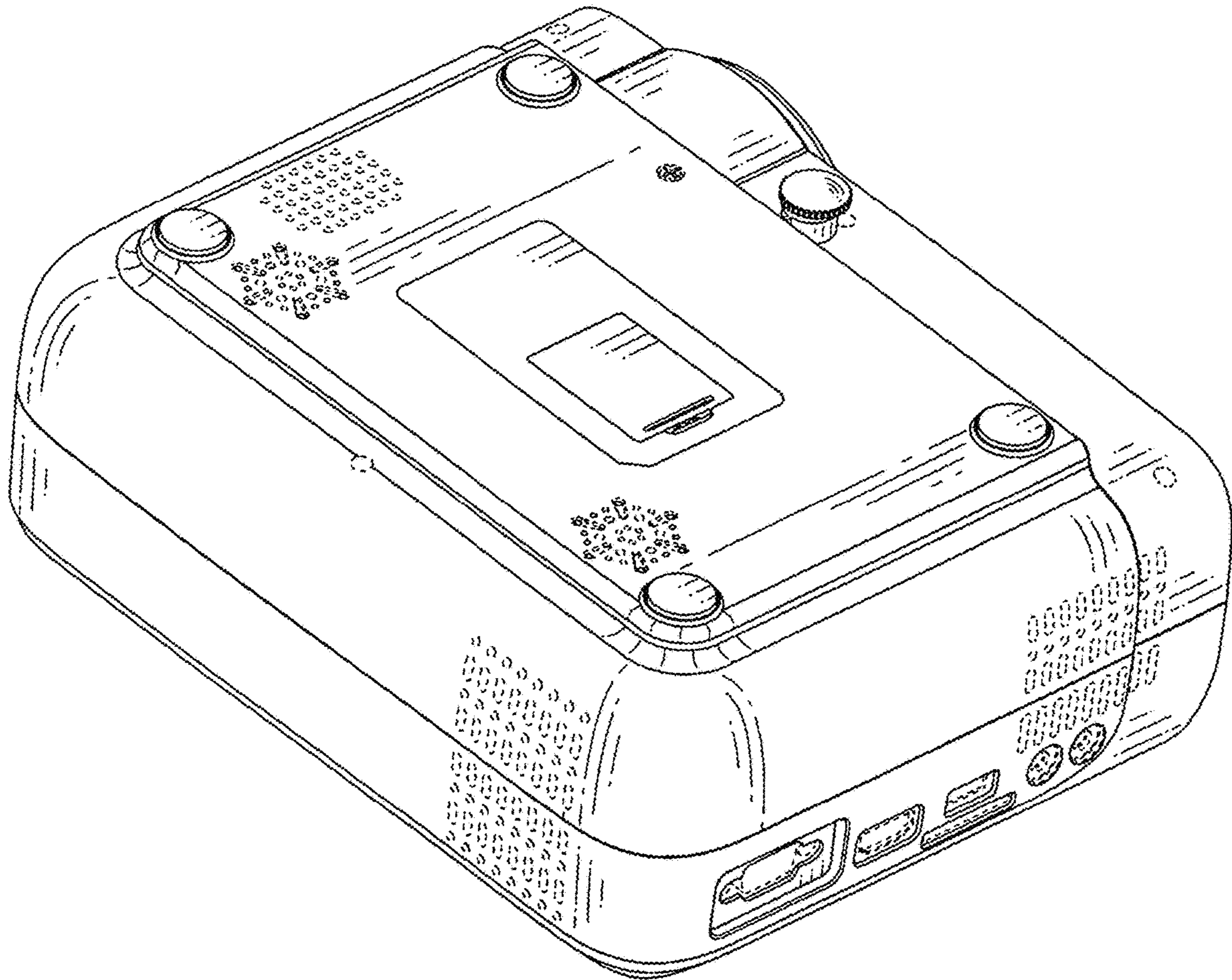


FIG. 8