



US00D939611S

(12) **United States Design Patent**
Ikegame

(10) **Patent No.:** **US D939,611 S**

(45) **Date of Patent:** **** Dec. 28, 2021**

(54) **DIGITAL CAMERA**

(71) Applicant: **FUJIFILM Corporation**, Tokyo (JP)

(72) Inventor: **Haruka Ikegame**, Saitama (JP)

(73) Assignee: **FUJIFILM Corporation**, Tokyo (JP)

(**) Term: **15 Years**

(21) Appl. No.: **29/710,022**

(22) Filed: **Oct. 18, 2019**

(30) **Foreign Application Priority Data**

Apr. 22, 2019 (JP) 2019-008949

(51) **LOC (13) Cl.** **16-05**

(52) **U.S. Cl.**
USPC **D16/219**

(58) **Field of Classification Search**

USPC D16/200, 202-206, 208, 209, 218, 219;
348/294, 373-376; 359/826; 396/6, 301,
396/529, 535, 539-541

CPC G03B 15/03; G03B 17/02; G03B 17/04;
G03B 17/08; G03B 17/56; G03B 19/04;
H04N 5/2251; H04N 5/2252; H04N
5/2253; H04N 5/2254; H04N 2101/00

See application file for complete search history.

(56) **References Cited**

U.S. PATENT DOCUMENTS

D557,312 S *	12/2007	Katayama	D16/202
D701,257 S *	3/2014	Ogawa	D16/202
D724,130 S *	3/2015	Ham	D16/202
9,826,134 B2 *	11/2017	Ohtsuka	H04R 3/005
D838,764 S *	1/2019	Imai	D16/219
D855,679 S *	8/2019	Takagi	D16/219
D856,395 S *	8/2019	Takagi	D16/219
D872,163 S *	1/2020	Imai	D16/219
D885,465 S *	5/2020	Kitade	D16/219

2015/0107051 A1 *	4/2015	Sakai	H04N 5/2252
				16/223
2016/0252798 A1 *	9/2016	Igi	H04N 5/2252
				348/375
2017/0078535 A1 *	3/2017	Akiyama	G03B 17/02

FOREIGN PATENT DOCUMENTS

JP 2017-204768 A 11/2017

OTHER PUBLICATIONS

Office Action issued in JP 2019-008949; mailed by the Japanese Patent Office dated Jul. 23, 2019.

* cited by examiner

Primary Examiner — Ramzi Almatrahi

(74) *Attorney, Agent, or Firm* — Studebaker & Brackett PC

(57) **CLAIM**

The ornamental design for a digital camera, as shown and described.

DESCRIPTION

FIG. 1 is a front elevation view of a digital camera showing my new design;

FIG. 2 is a rear elevation view thereof;

FIG. 3 is a left side elevation view thereof;

FIG. 4 is a right side elevation view thereof;

FIG. 5 is a top plan view thereof;

FIG. 6 is a bottom plan view thereof;

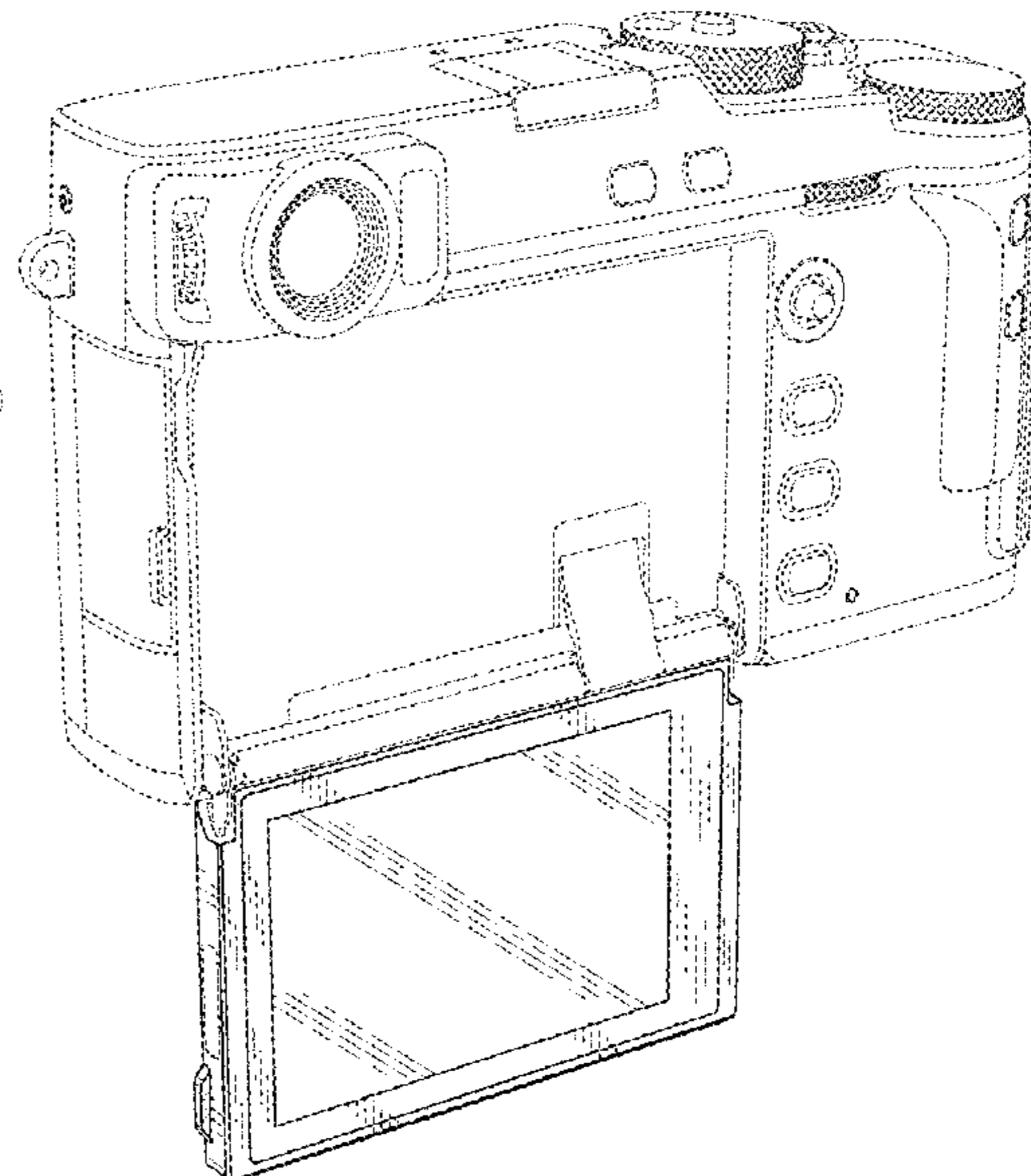
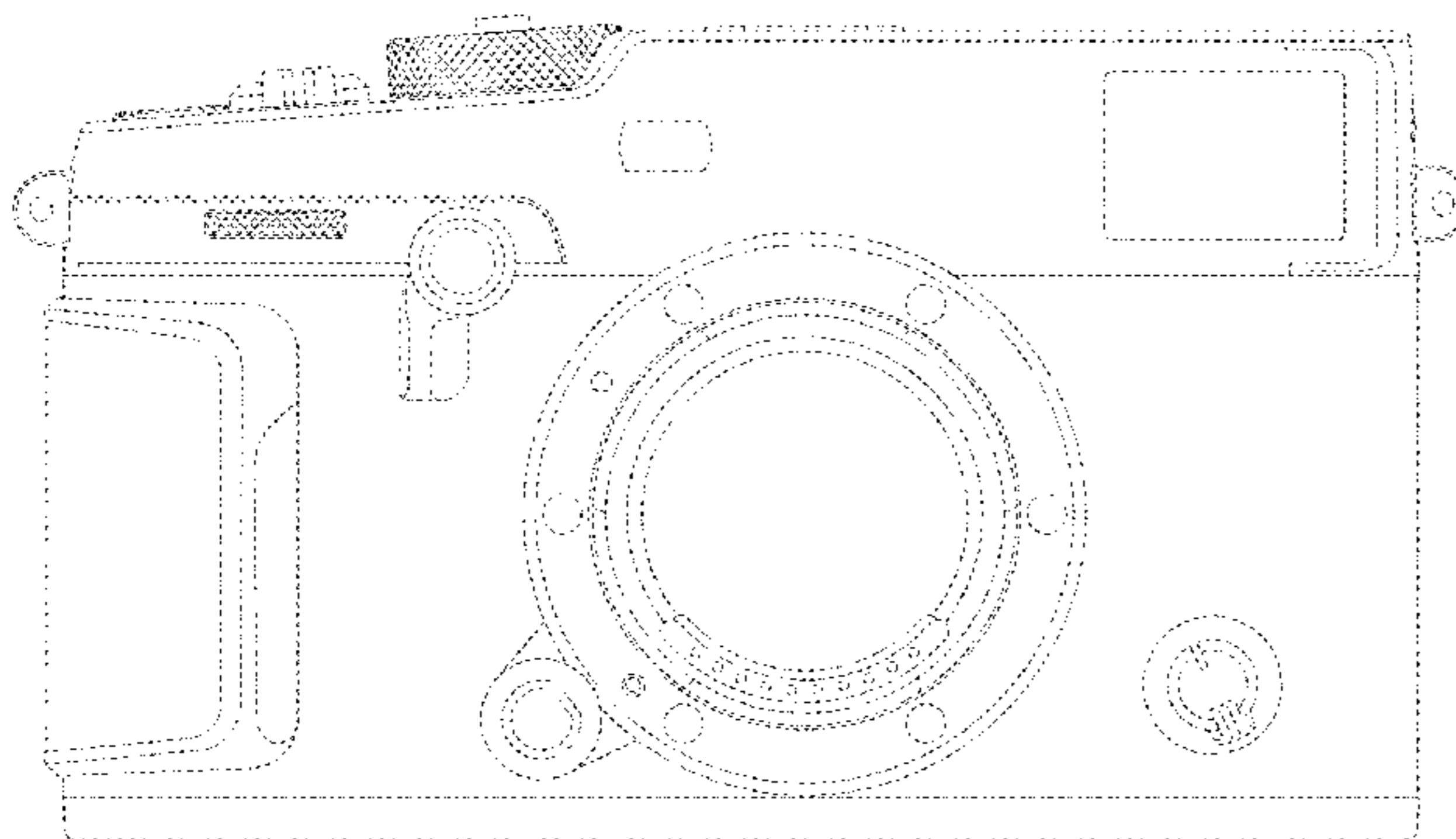
FIG. 7 is a rear perspective view thereof;

FIG. 8 is a rear perspective view thereof, shown in an alternate configuration; and,

FIG. 9 is a rear perspective view thereof, shown in an alternate configuration.

The broken lines depict portions of the digital camera in which the design is embodied that form no part of the claimed design.

1 Claim, 9 Drawing Sheets



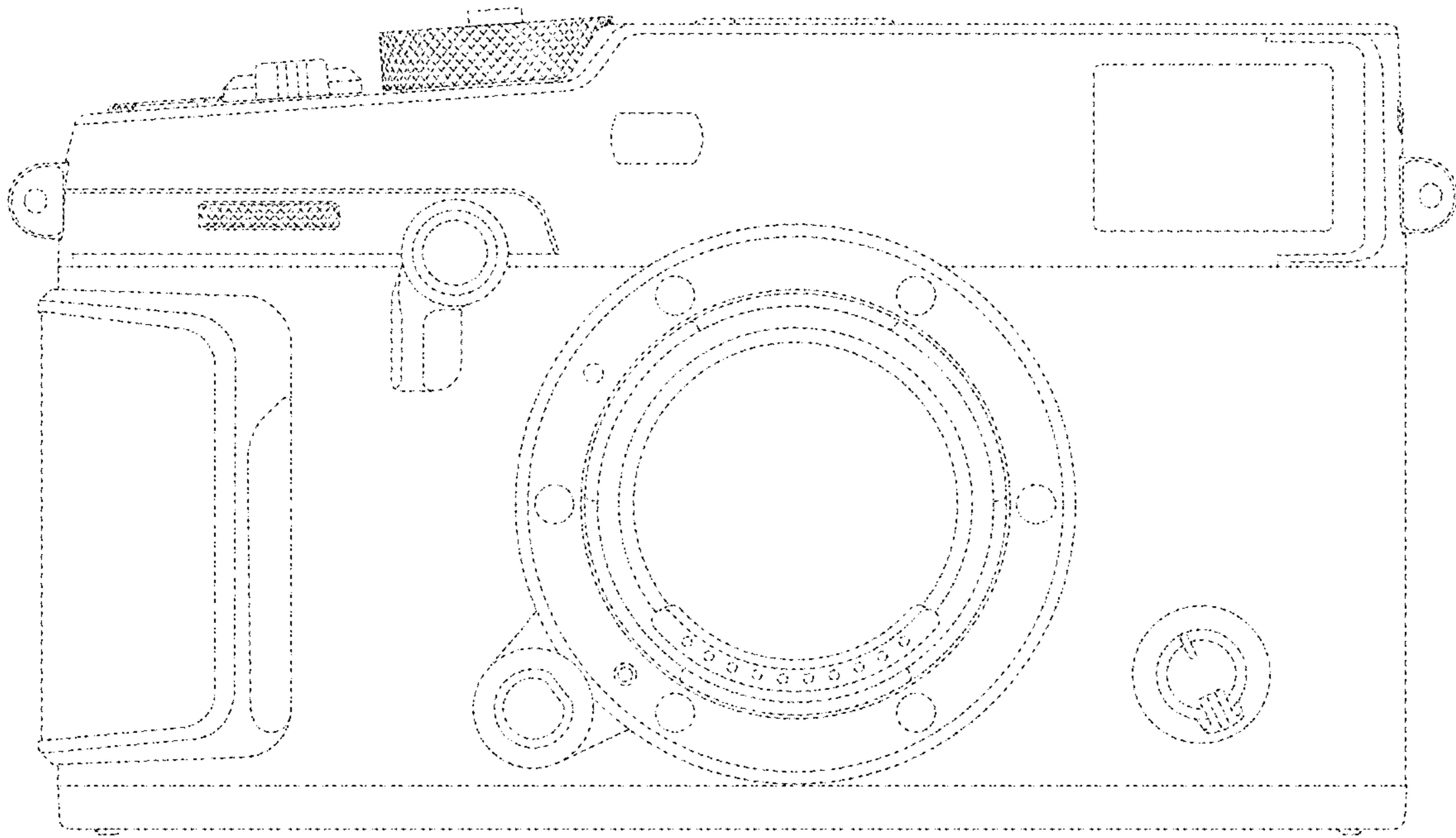


FIG. 1

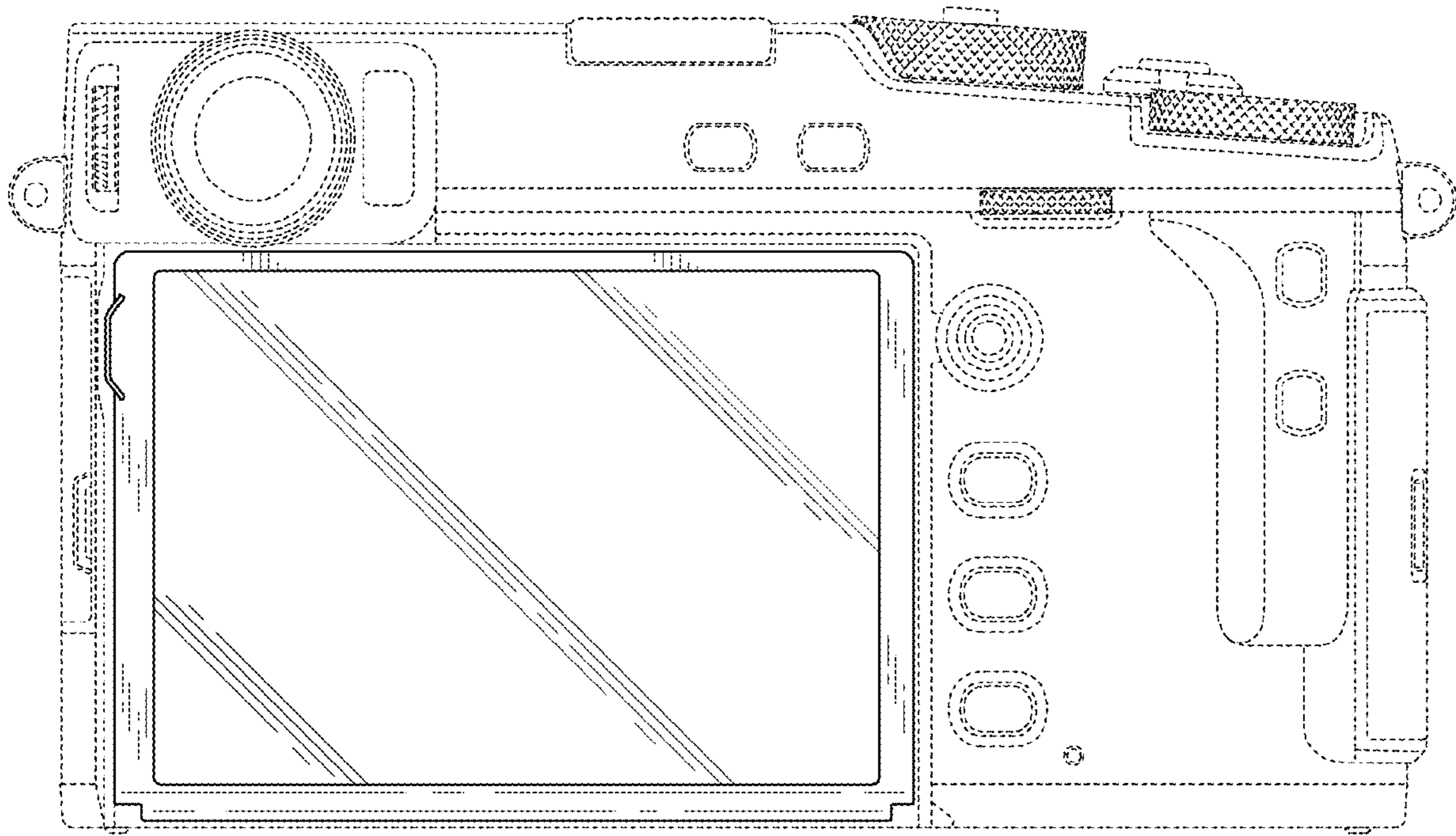


FIG. 2

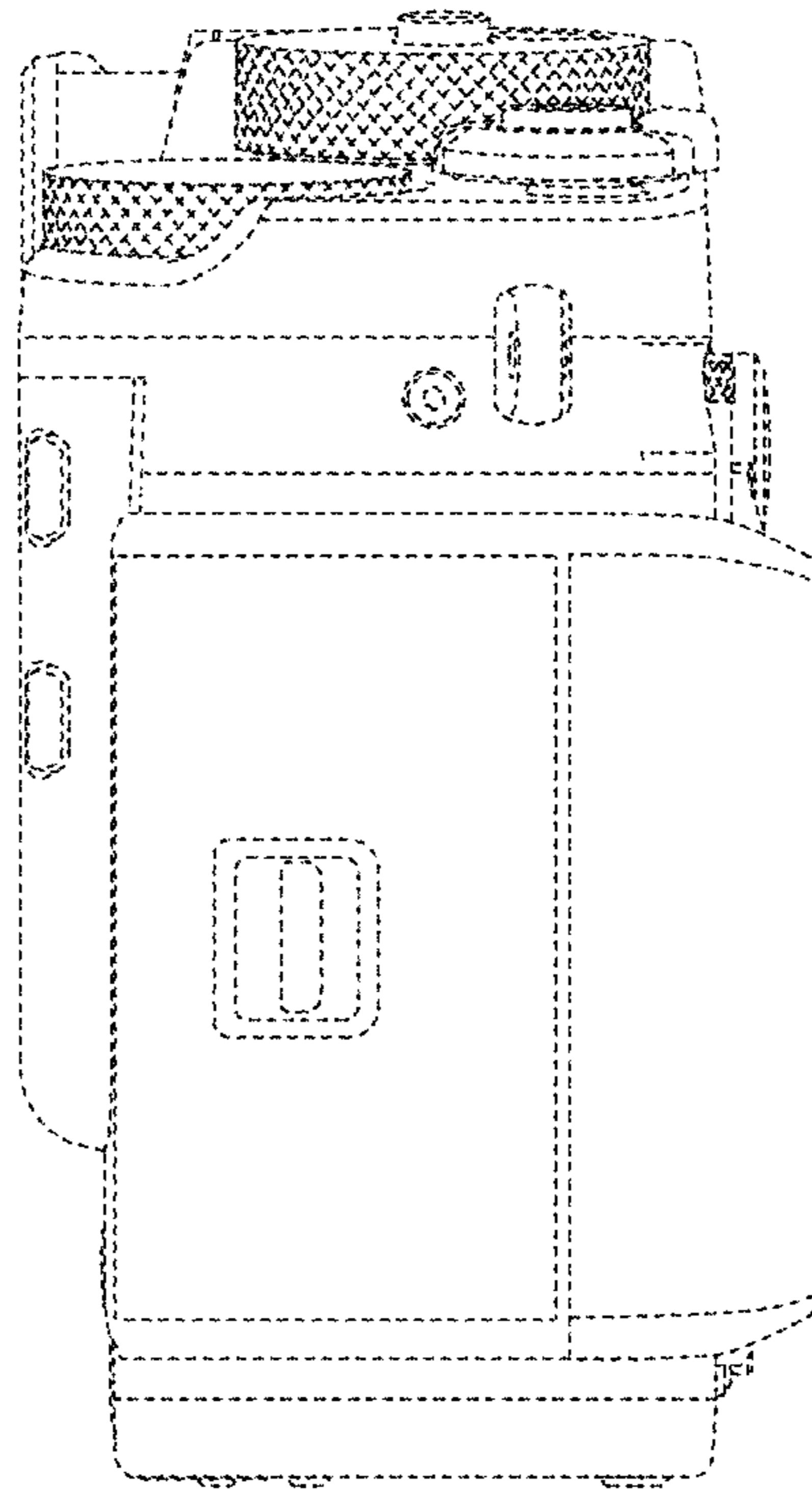


FIG. 3

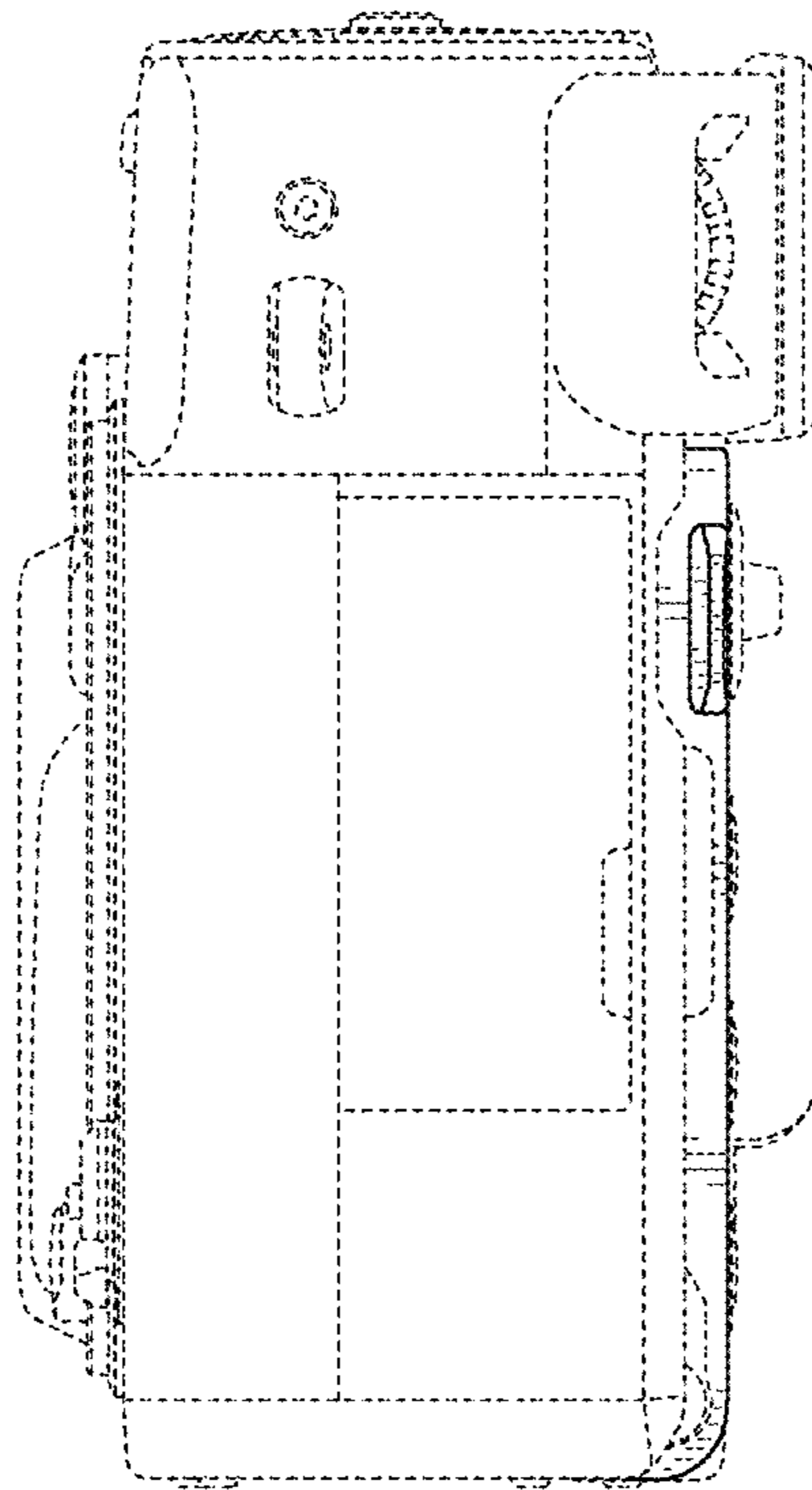


FIG. 4

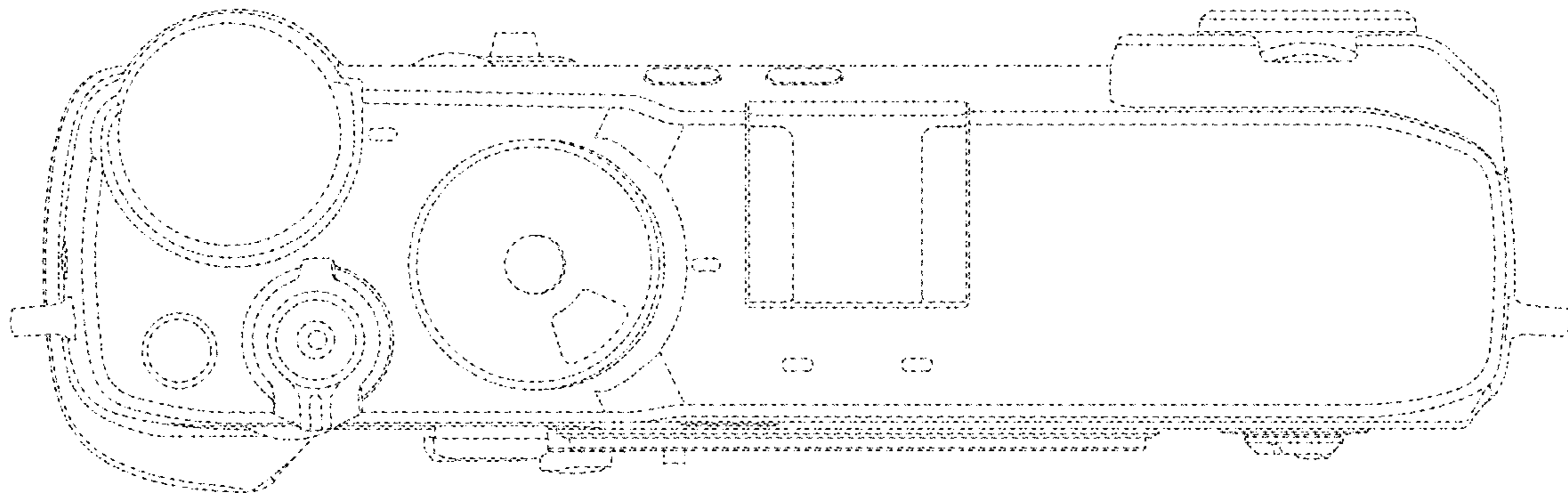


FIG. 5

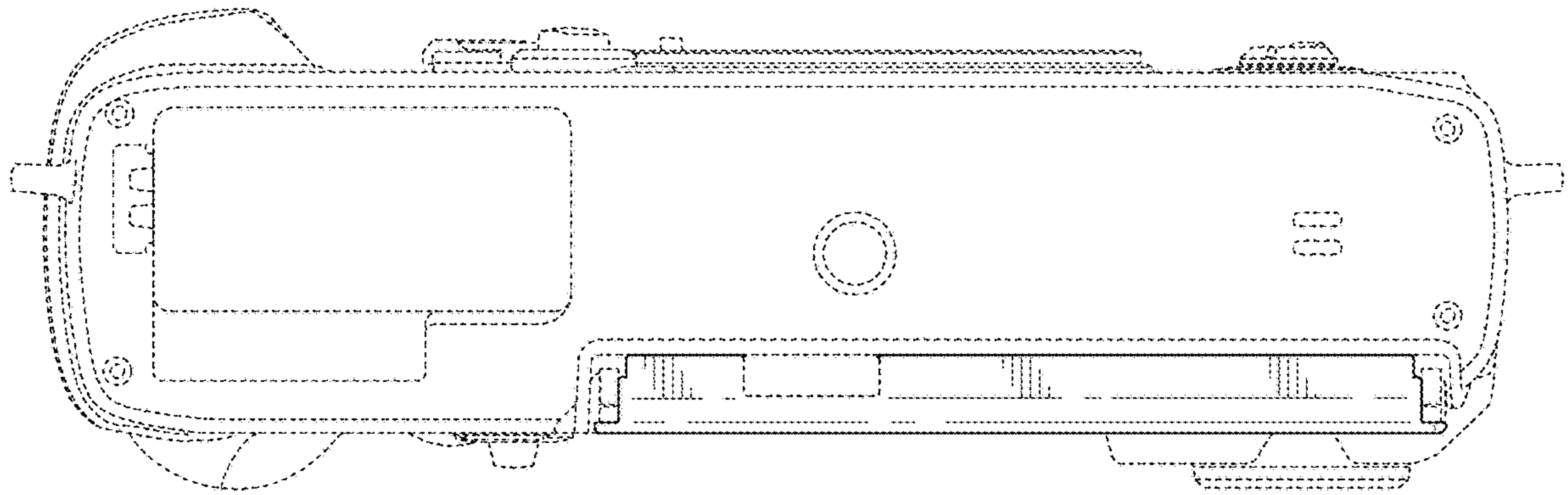


FIG. 6

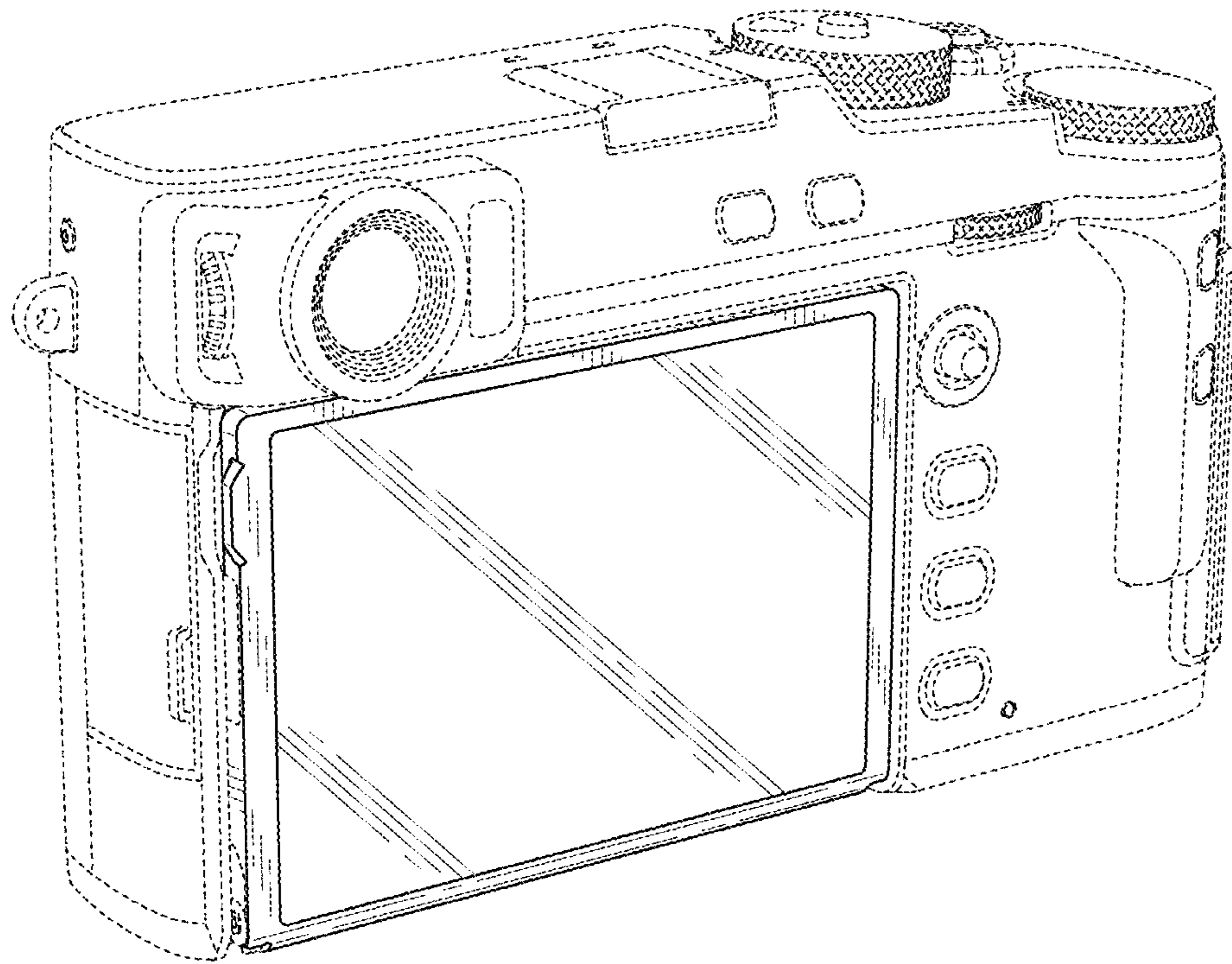


FIG. 7

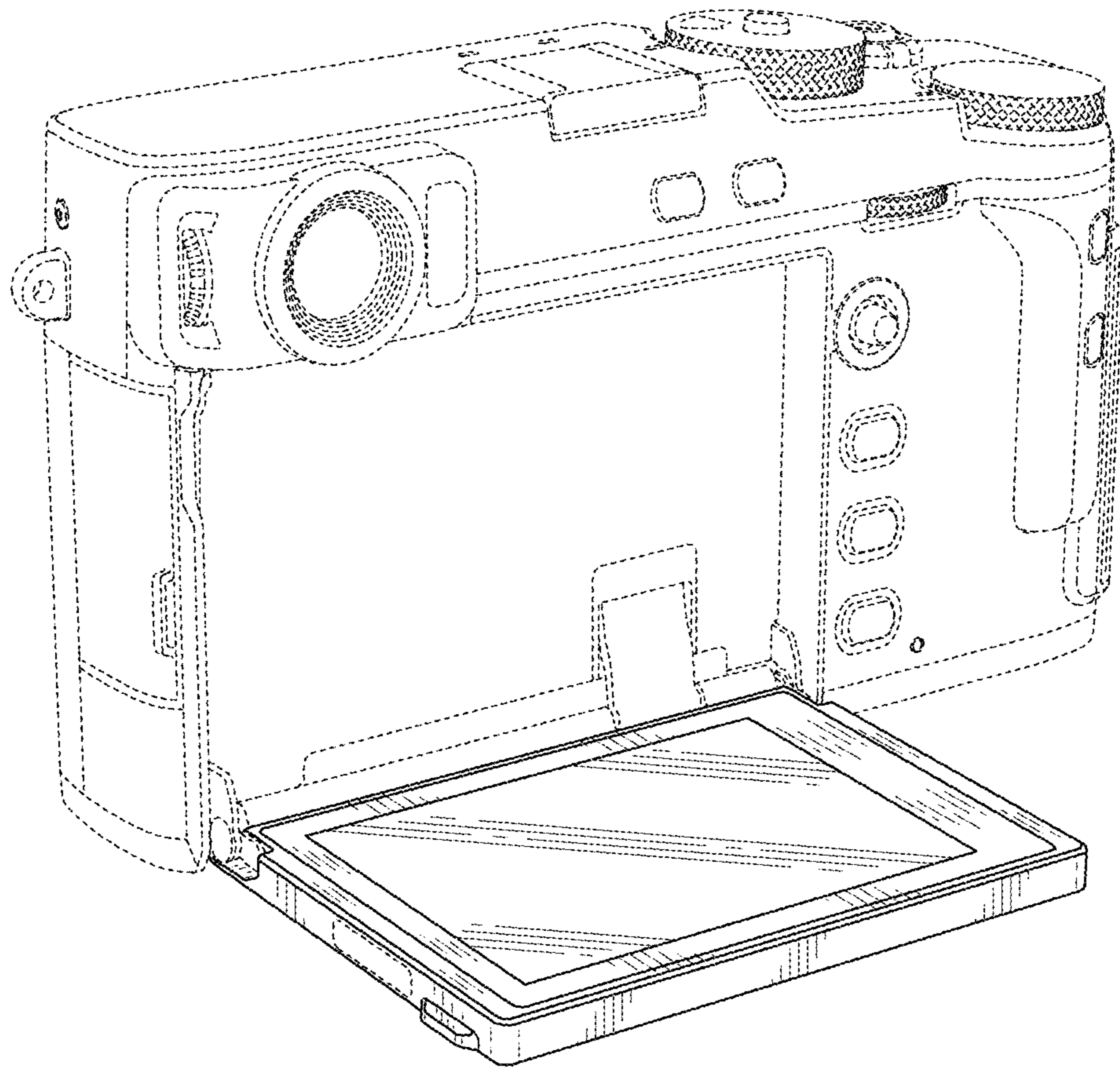


FIG. 8

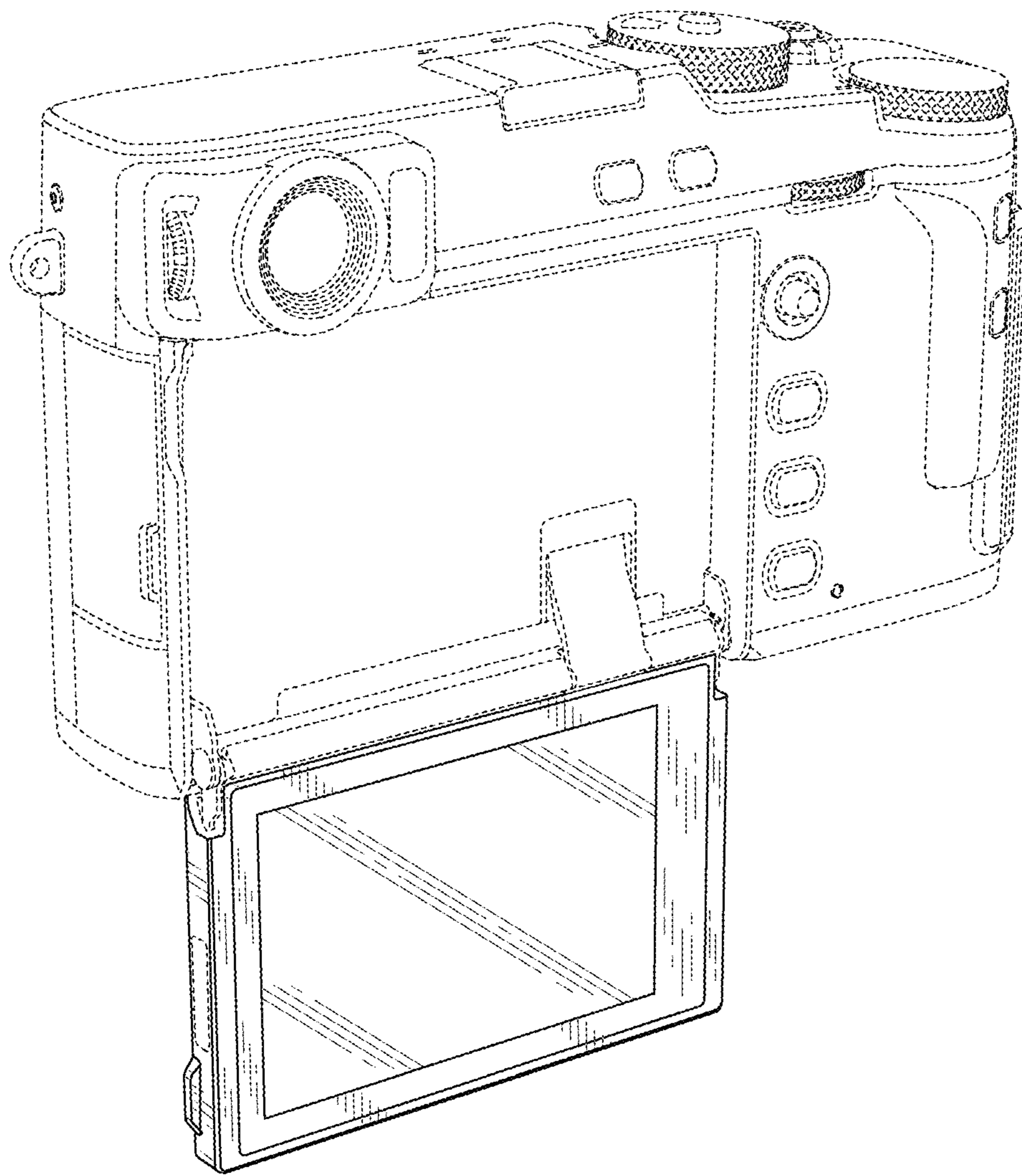


FIG. 9