



US00D939608S

(12) **United States Design Patent**
Han et al.

(10) **Patent No.:** **US D939,608 S**

(45) **Date of Patent:** **** Dec. 28, 2021**

(54) **CAMERA**

(71) Applicant: **Shenzhen fuxin electronics Co., Ltd.**,
Guangdong (CN)

(72) Inventors: **Bolin Han**, Guangdong (CN);
Yongchun Ren, Guangdong (CN)

(73) Assignee: **Shenzhen fuxin electronics Co., Ltd.**,
Guangdong (CN)

(**) Term: **15 Years**

(21) Appl. No.: **29/745,186**

(22) Filed: **Aug. 4, 2020**

(51) **LOC (13) Cl.** **16-01**

(52) **U.S. Cl.**
USPC **D16/218; D16/202**

(58) **Field of Classification Search**
USPC D16/200, 202–206, 208, 209, 218, 219;
348/294, 373–376; 359/826; 396/6, 529,
396/535, 539–541

CPC G03B 15/03; G03B 17/02; G03B 17/04;
G03B 17/56; G03B 19/04; H04N 5/2251;
H04N 5/2252; H04N 5/2253; H04N
5/2254; H04N 2101/00

See application file for complete search history.

(56) **References Cited**

U.S. PATENT DOCUMENTS

D750,686 S * 3/2016 Chen D16/218
D775,254 S * 12/2016 Parfitt D16/202

D791,848 S * 7/2017 Zhu D16/200
D836,696 S * 12/2018 Zhang D16/202
D839,335 S * 1/2019 Zhang D16/202
D849,084 S * 5/2019 Hu D16/202
D852,255 S * 6/2019 Guo D16/202
D854,597 S * 7/2019 Gao D16/202
D855,675 S * 8/2019 Luo D16/202
D857,076 S * 8/2019 Gan D16/202
D867,420 S * 11/2019 Zhang D16/202
D870,183 S * 12/2019 Tsukamoto D16/218
D872,162 S * 1/2020 Gao D16/218

* cited by examiner

Primary Examiner — Ramzi Almatrahi

(74) *Attorney, Agent, or Firm* — ScienBiziP, P.C.

(57) **CLAIM**

The ornamental design for a camera, as shown and described.

DESCRIPTION

FIG. 1 is a front perspective view of a camera, showing our new design;

FIG. 2 is a front elevation view thereof;

FIG. 3 is a rear elevation view thereof;

FIG. 4 is a left side elevation view thereof;

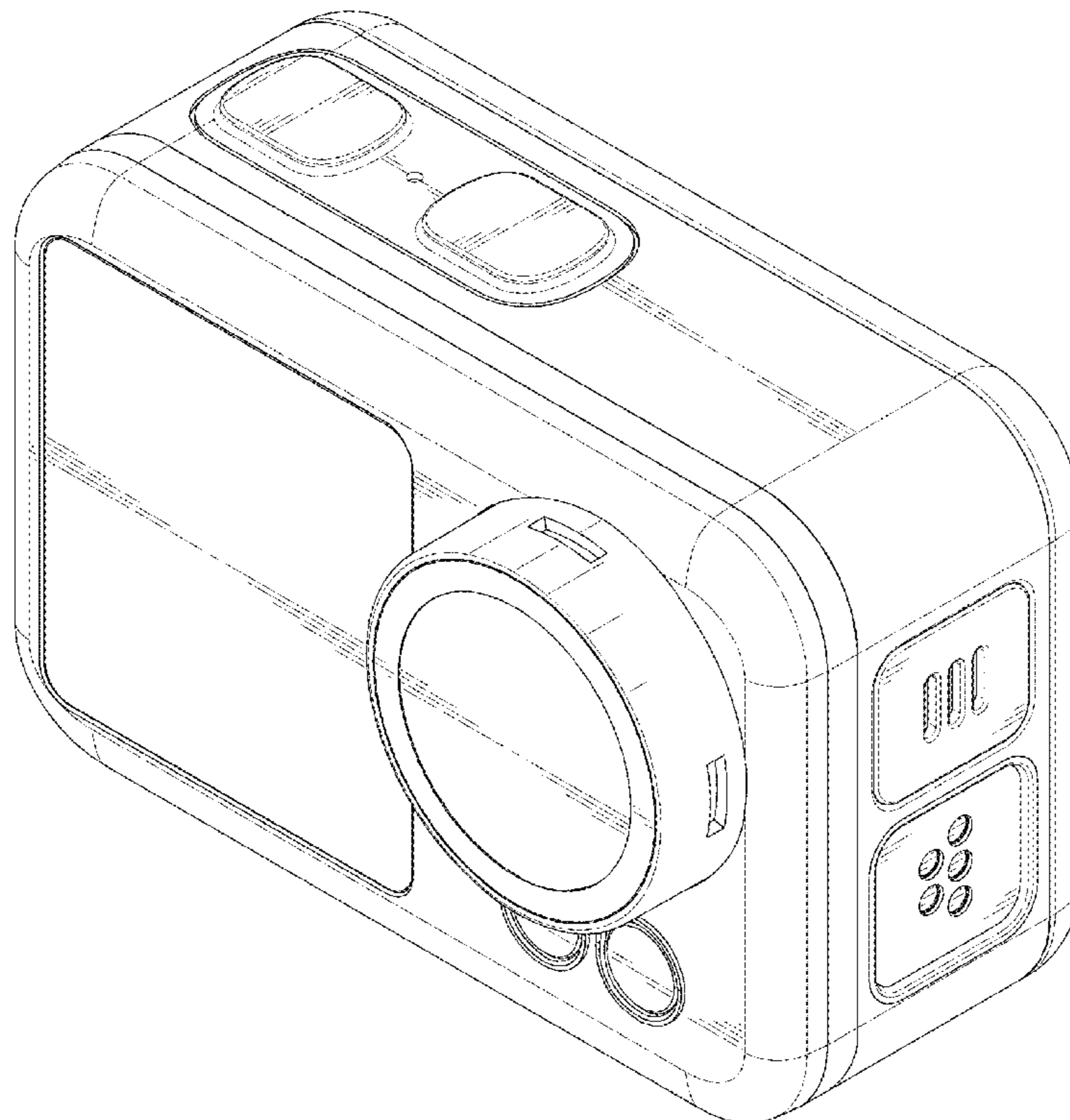
FIG. 5 is a right side elevation view thereof;

FIG. 6 is a top plan view thereof; and,

FIG. 7 is a bottom plan view thereof.

The broken lines depict portions of the camera in which the design is embodied that form no part of the claimed design.

1 Claim, 7 Drawing Sheets



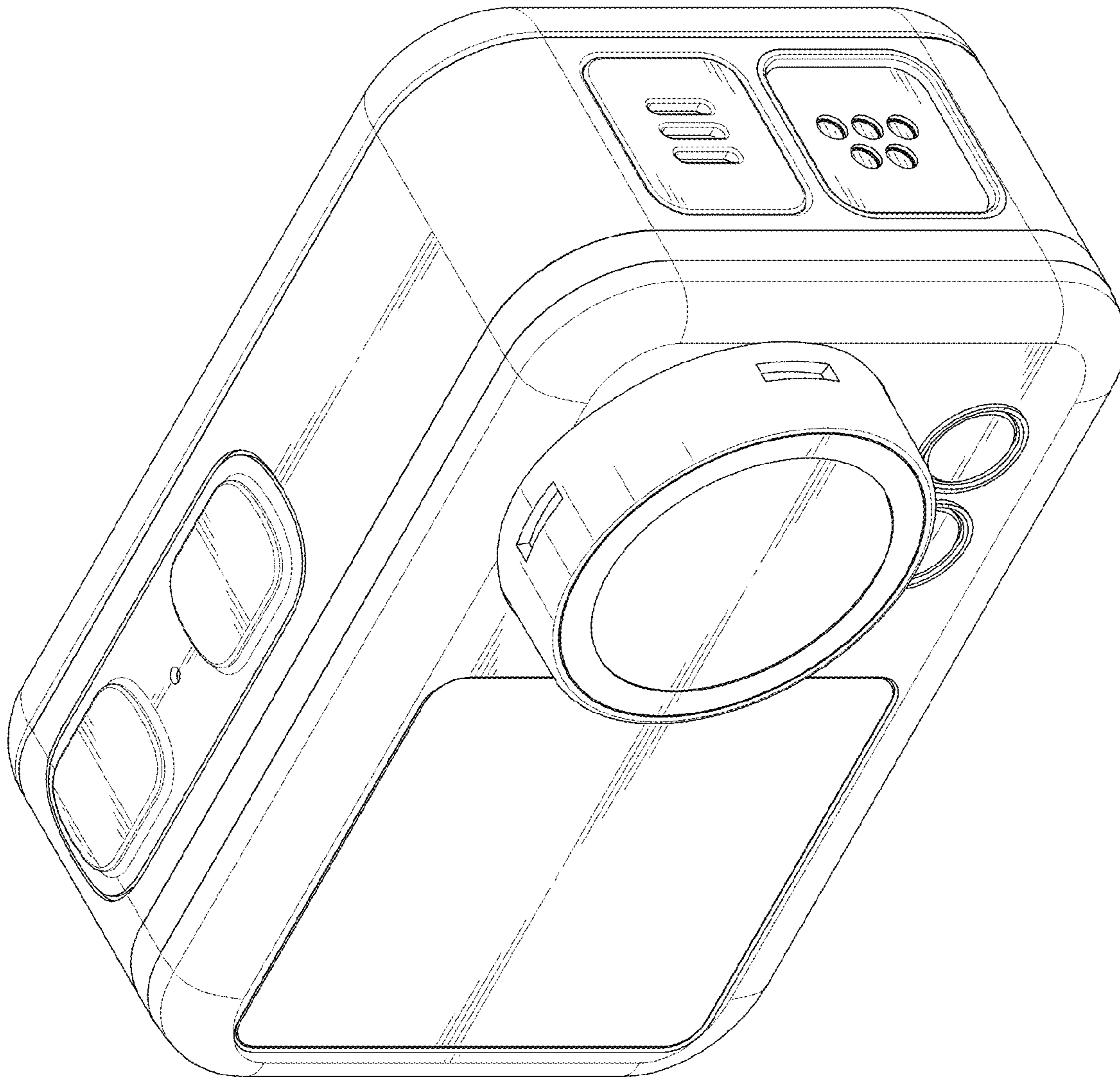


FIG.1

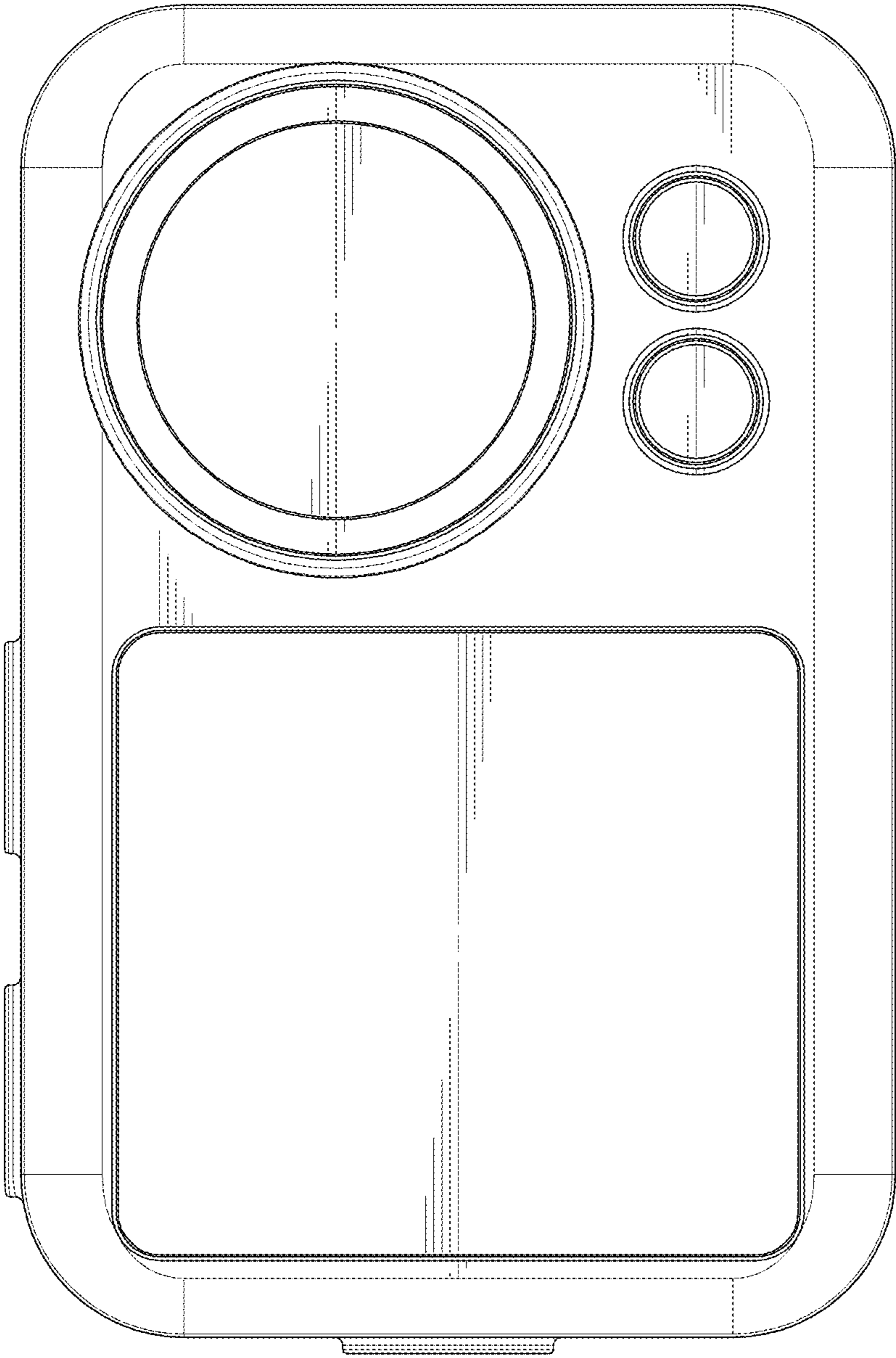


FIG. 2

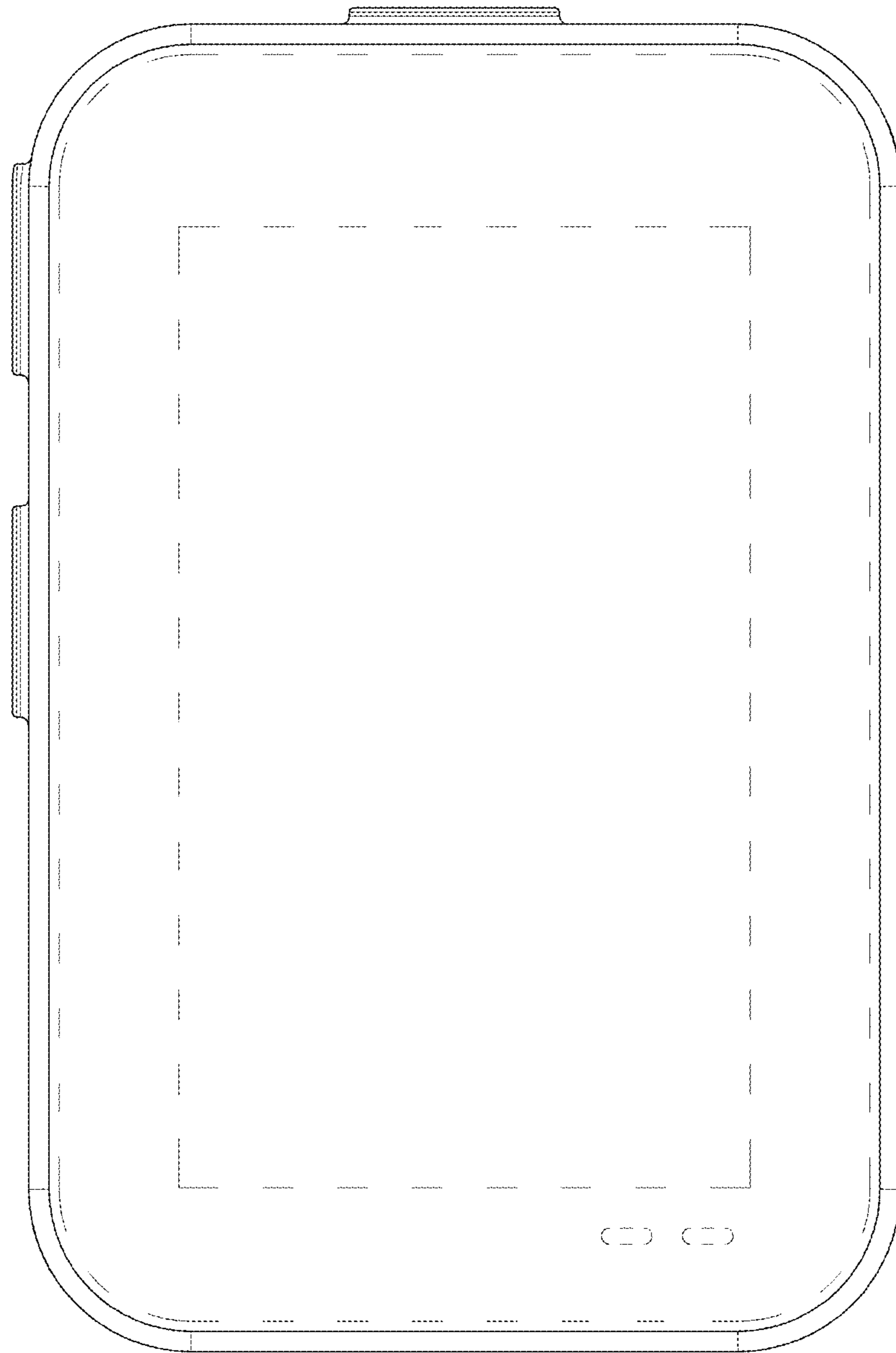


FIG. 3

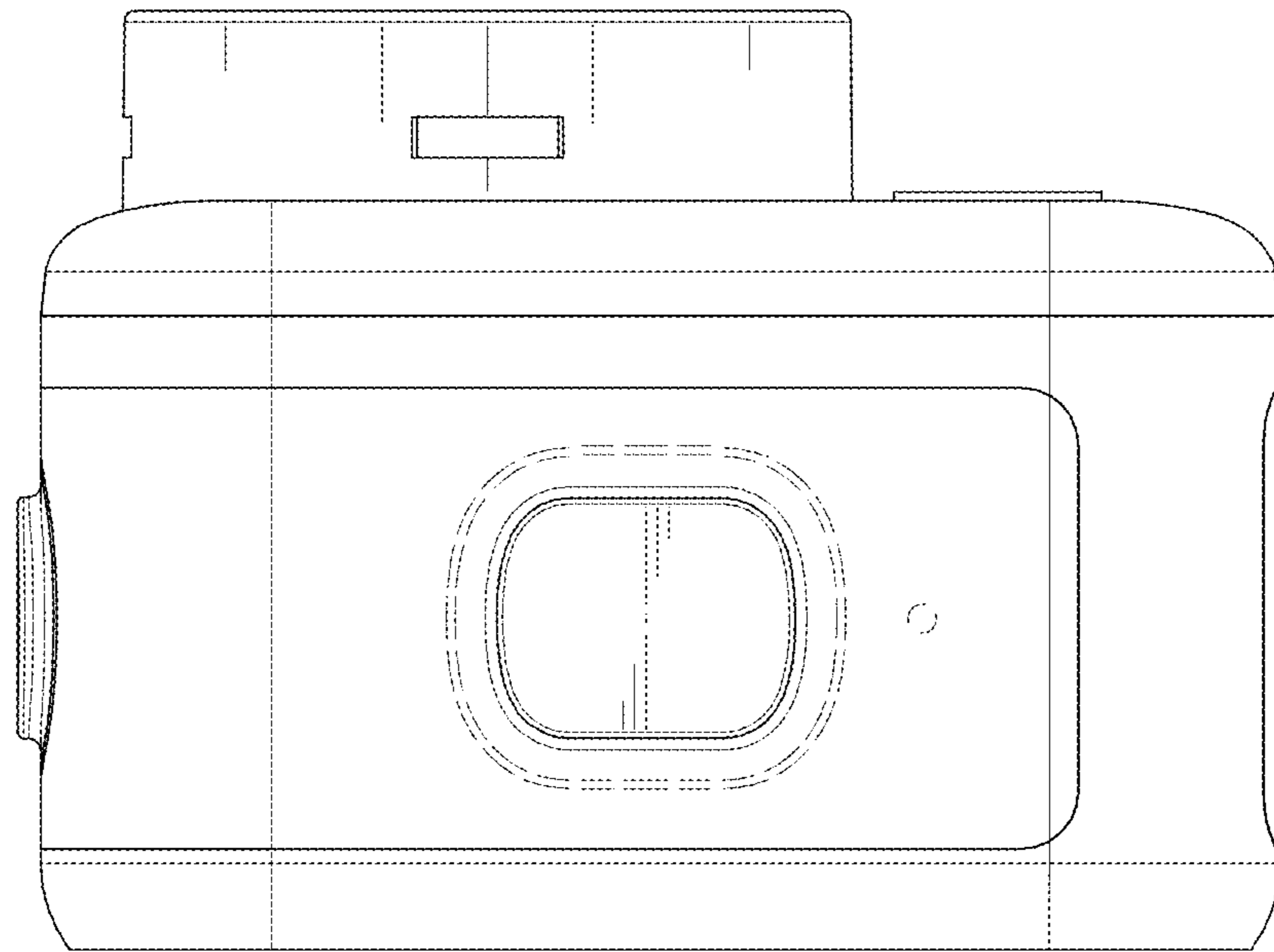


FIG.4

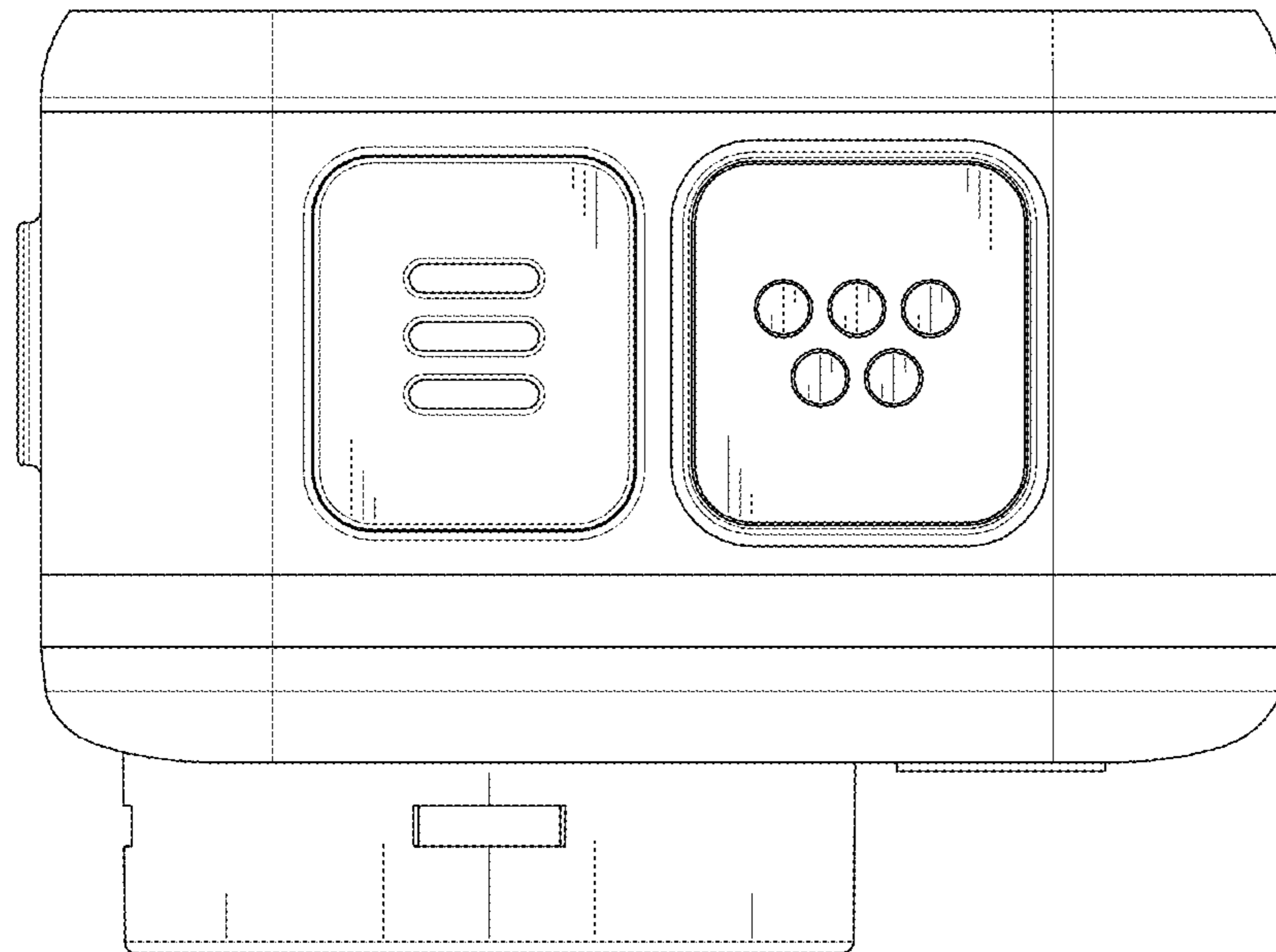


FIG. 5

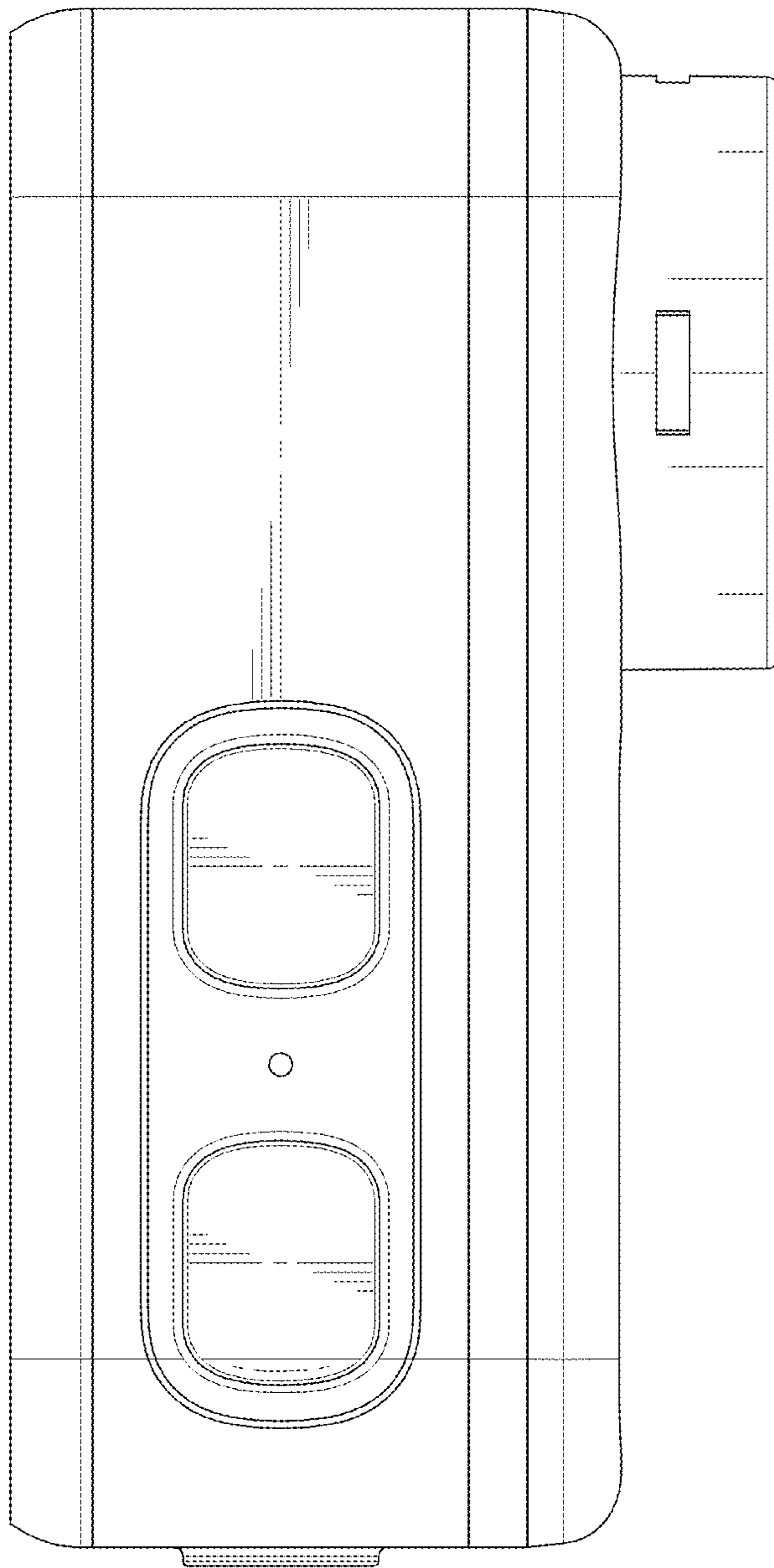


FIG.6

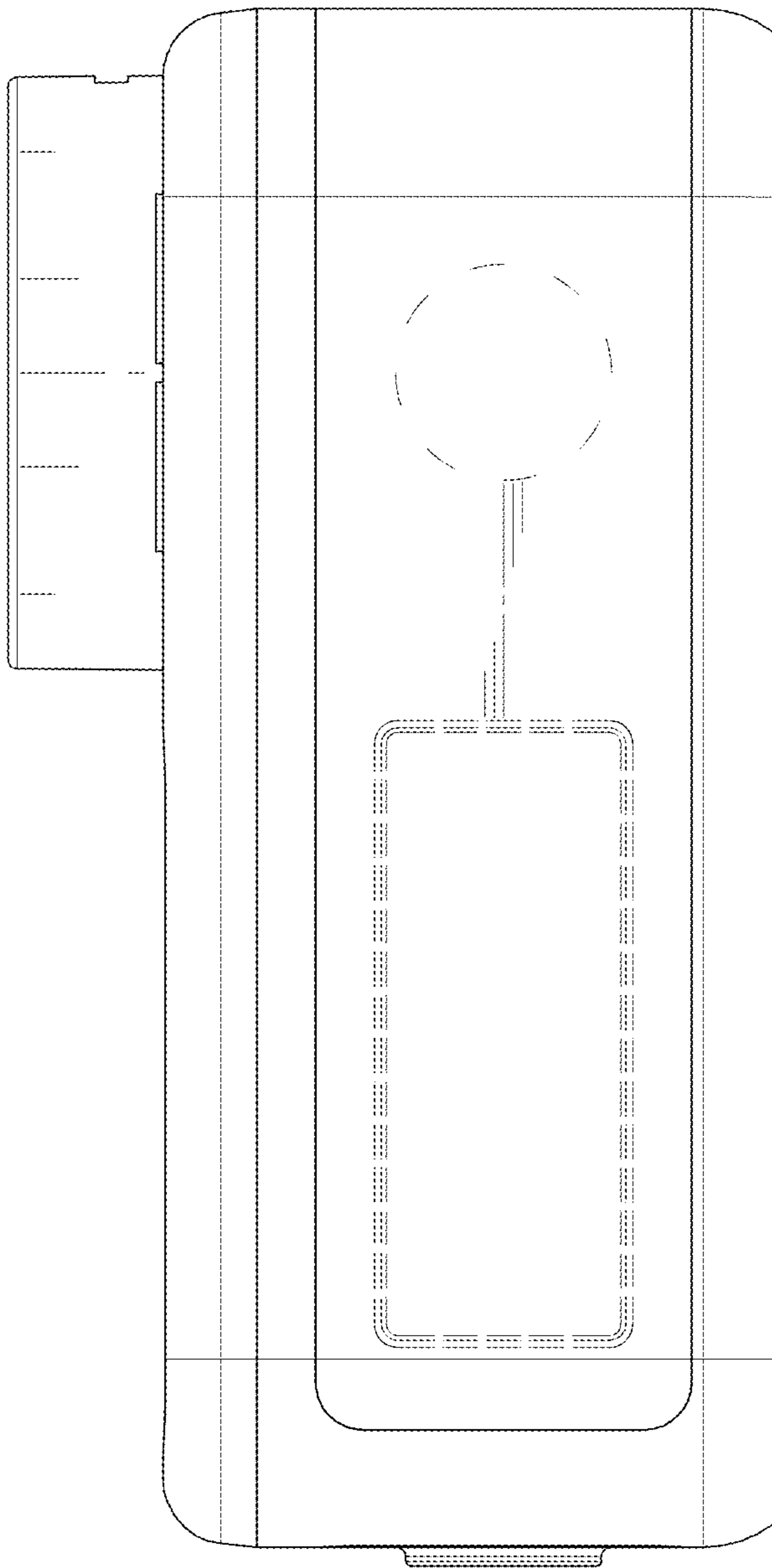


FIG. 7