



US00D939605S

(12) **United States Design Patent** (10) **Patent No.:** **US D939,605 S**
Voron et al. (45) **Date of Patent:** **** Dec. 28, 2021**

(54) **CAMERA SYSTEM**

(71) Applicant: **Dolby Laboratories Licensing Corporation**, San Francisco, CA (US)

(72) Inventors: **Vincent Voron**, Menlo Park, CA (US); **Peter Michaelian**, San Francisco, CA (US); **Christine Anna Livaudais**, San Francisco, CA (US); **Drew Alexander Walcott**, San Francisco, CA (US); **Samuel James Fleming Carr**, San Francisco, CA (US)

(73) Assignee: **Dolby Laboratories Licensing Corporation**, San Francisco, CA (US)

(**) Term: **15 Years**

(21) Appl. No.: **29/754,790**

(22) Filed: **Oct. 14, 2020**

Related U.S. Application Data

(63) Continuation of application No. 29/639,635, filed on Mar. 7, 2018, now Pat. No. Des. 902,971.

(51) **LOC (13) Cl.** **16-01**

(52) **U.S. Cl.**
USPC **D16/202**

(58) **Field of Classification Search**

USPC D10/61, 63, 65, 70, 71, 104.1, 106.7;
D16/200, 202–203, 207, 208, 218, 219;
D14/203.1, 204, 209.1, 217, 496, 497;
348/14.01–14.6, 373–376; 396/427, 535,
396/539–541
CPC G03B 17/02; G03B 19/04; G03B 17/56;
G03B 17/04; G03B 15/03; H04N 5/2251;
H04N 5/2252; H04N 5/2253; H04N
5/2254; H04N 2101/00; H04N 2007/145;
H04N 7/141; H04N 7/142; H04N 7/147;
H04N 7/148; H04N 7/15; H04N 7/152

See application file for complete search history.

(56) **References Cited**

U.S. PATENT DOCUMENTS

6,738,094 B1 5/2004 Minami et al.
D497,925 S 11/2004 Zhang et al.
6,845,954 B1 1/2005 Moayer et al.
7,572,073 B2 8/2009 Kenoyer et al.
D627,813 S 11/2010 Chen et al.
D643,456 S 8/2011 Won et al.
D665,439 S 8/2012 Khamsepoor et al.
D669,108 S 10/2012 Maeyama
D674,430 S 1/2013 Inoue
D680,144 S 4/2013 Tsai
D682,332 S 5/2013 Wang et al.
D685,015 S 6/2013 Wang et al.
D693,711 S 11/2013 Jacobs et al.

(Continued)

OTHER PUBLICATIONS

Avaya, Scopia® XT Executive 240 (55411-00001), <<https://support.avaya.com/products/P1455/scopia-xt-executive-240>>.

Primary Examiner — Ramzi Almatrahi

(74) *Attorney, Agent, or Firm* — Saidman DesignLaw Group, LLC

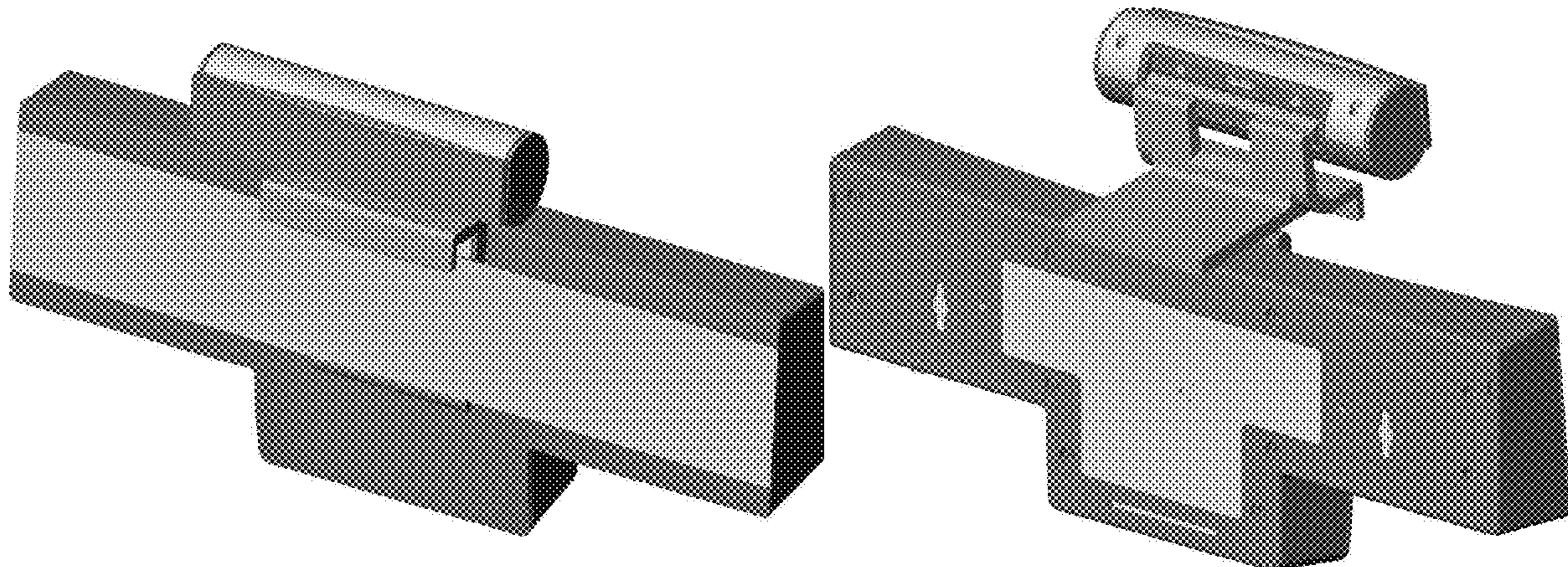
(57) **CLAIM**

The ornamental design for a camera system, as shown and described.

DESCRIPTION

FIG. 1 is a front perspective view of a camera system showing our new design;
FIG. 2 is a rear perspective view thereof;
FIG. 3 is a front elevation view thereof;
FIG. 4 is a rear elevation view thereof;
FIG. 5 is a left side elevation view thereof;
FIG. 6 is a right side elevation view thereof;
FIG. 7 is a top plan view thereof; and,
FIG. 8 is a bottom plan view thereof.

1 Claim, 7 Drawing Sheets



(56)

References Cited

U.S. PATENT DOCUMENTS

| | | | | |
|--------------|-----|---------|------------------|---------|
| 8,593,567 | B2 | 11/2013 | Xiao | |
| D709,117 | S | 7/2014 | Gan et al. | |
| D728,658 | S | 5/2015 | Mita | |
| D744,573 | S | 12/2015 | Matsumiya et al. | |
| D745,586 | S | 12/2015 | Chou et al. | |
| D800,201 | S | 10/2017 | Song | |
| D849,086 | S | 5/2019 | Russo et al. | |
| D872,158 | S * | 1/2020 | Bytyqi | D16/202 |
| D872,792 | S | 1/2020 | Fletcher et al. | |
| D891,499 | S * | 7/2020 | Fletcher | D16/202 |
| D901,442 | S * | 11/2020 | Lee | D14/217 |
| D901,443 | S * | 11/2020 | Lee | D14/217 |
| D907,090 | S * | 1/2021 | Zheng | D16/202 |
| D907,091 | S * | 1/2021 | Ly | D16/202 |
| D910,730 | S * | 2/2021 | Hao | D16/202 |
| D912,717 | S * | 3/2021 | Russo | D16/202 |
| 2005/0231587 | A1 | 10/2005 | Root et al. | |

* cited by examiner

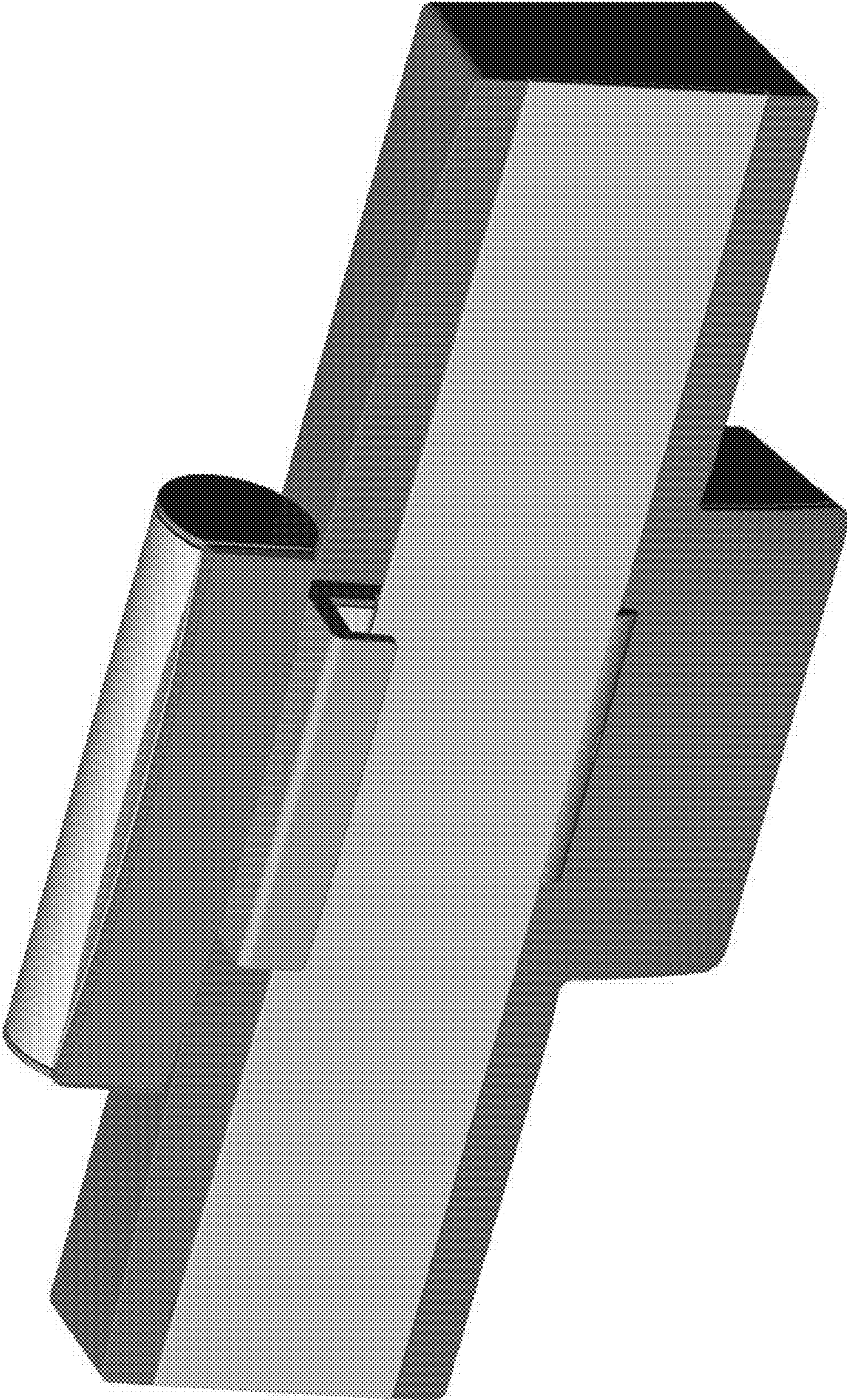


Fig. 1

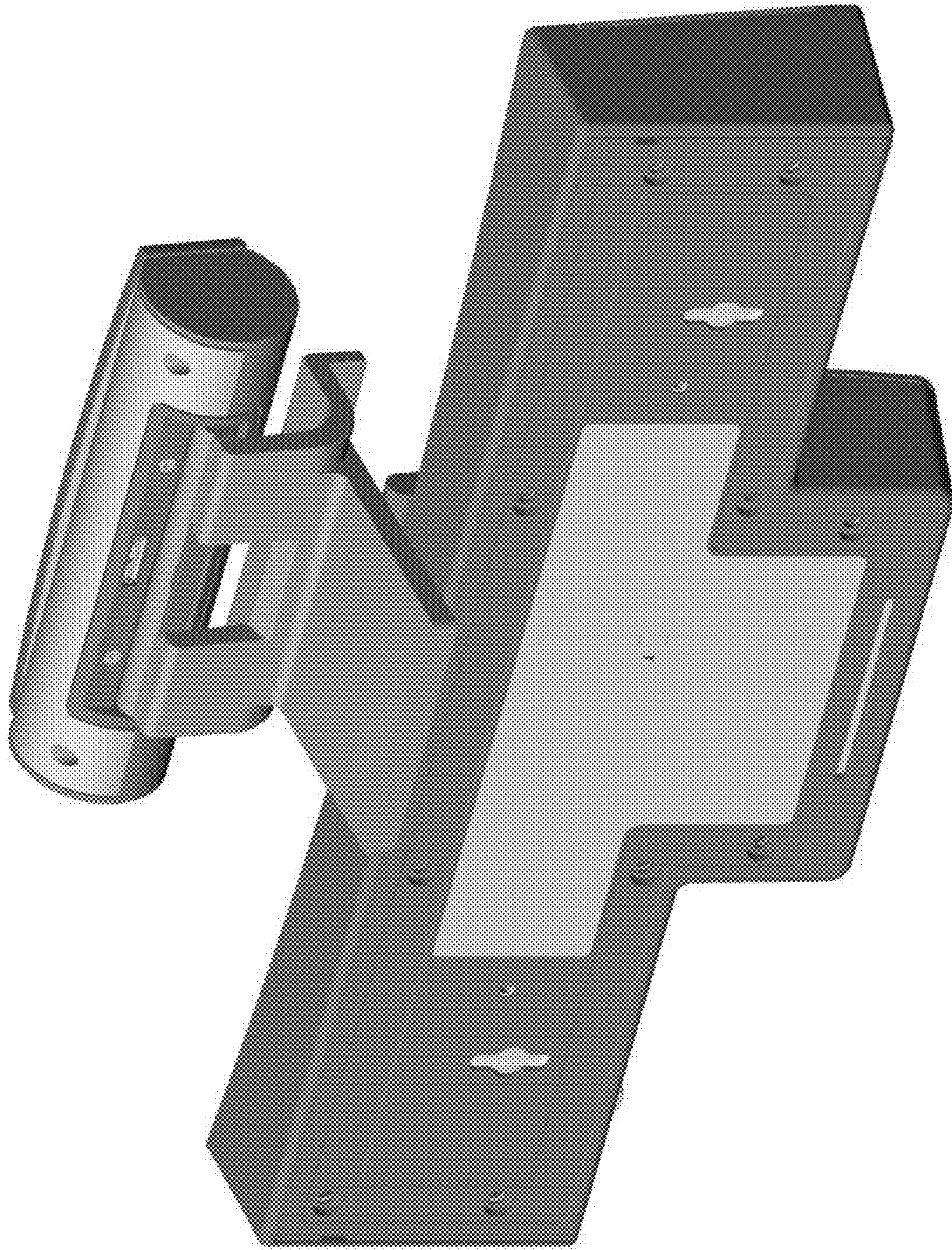


Fig. 2

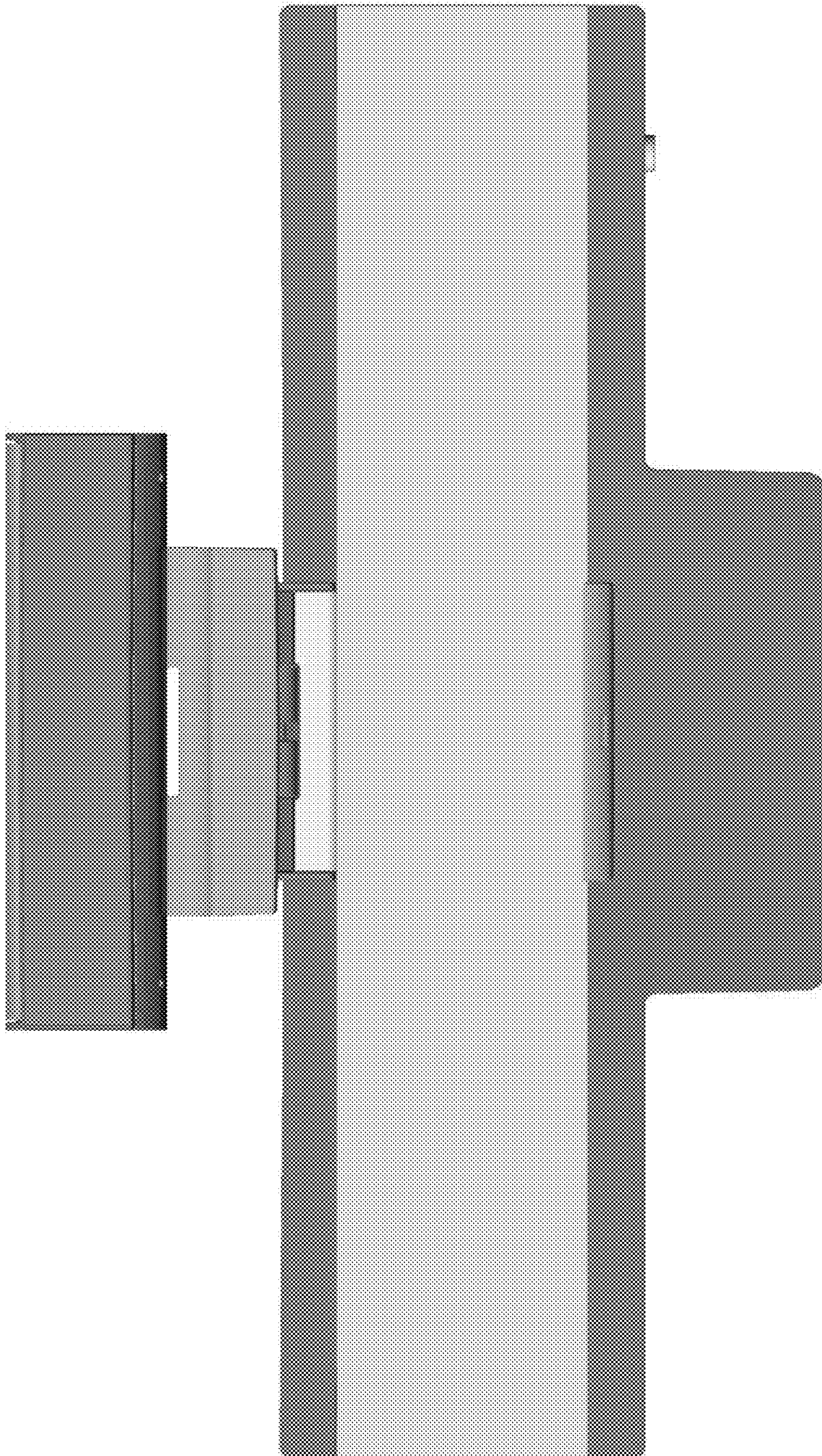


Fig. 3

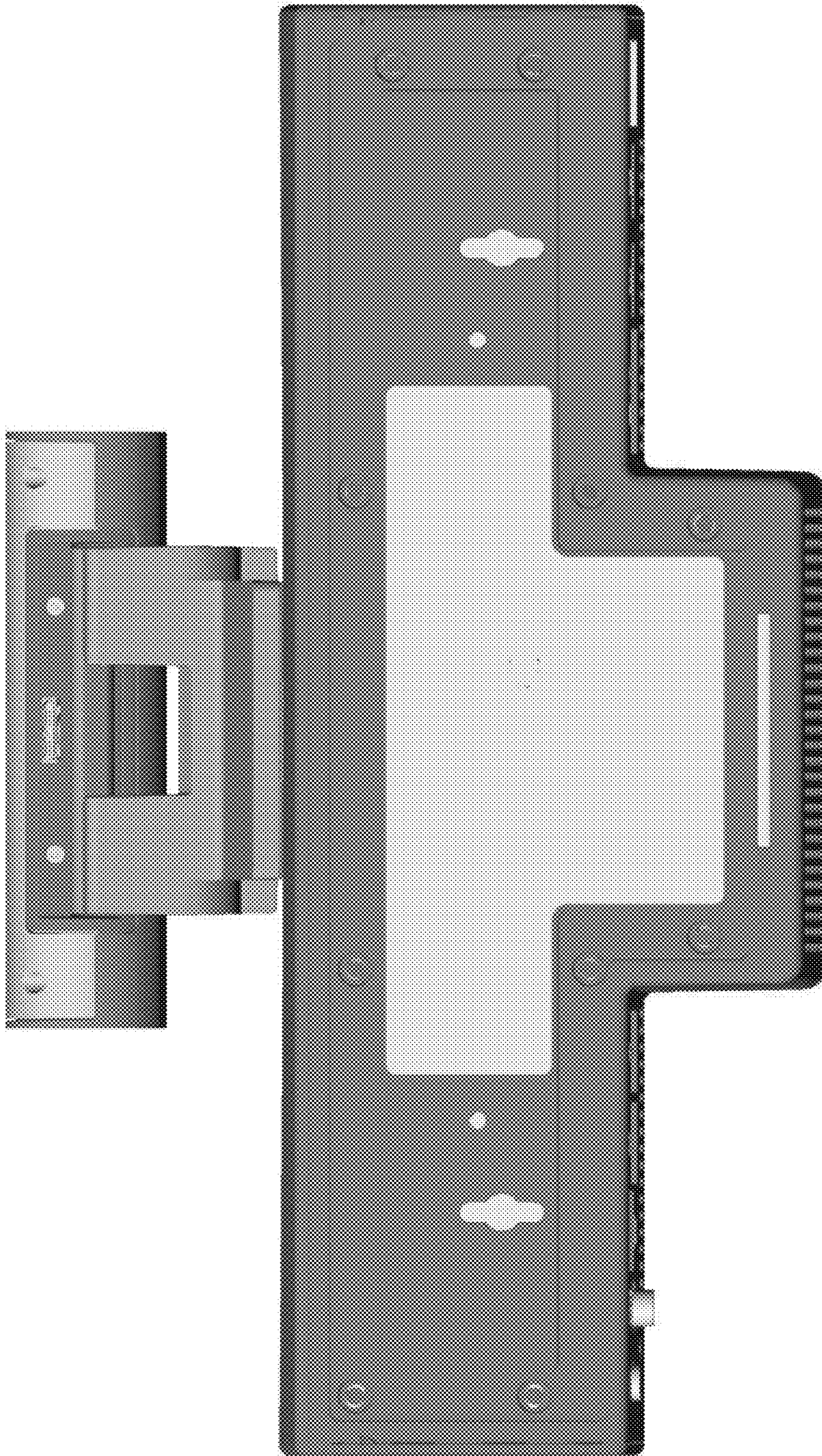


Fig. 4

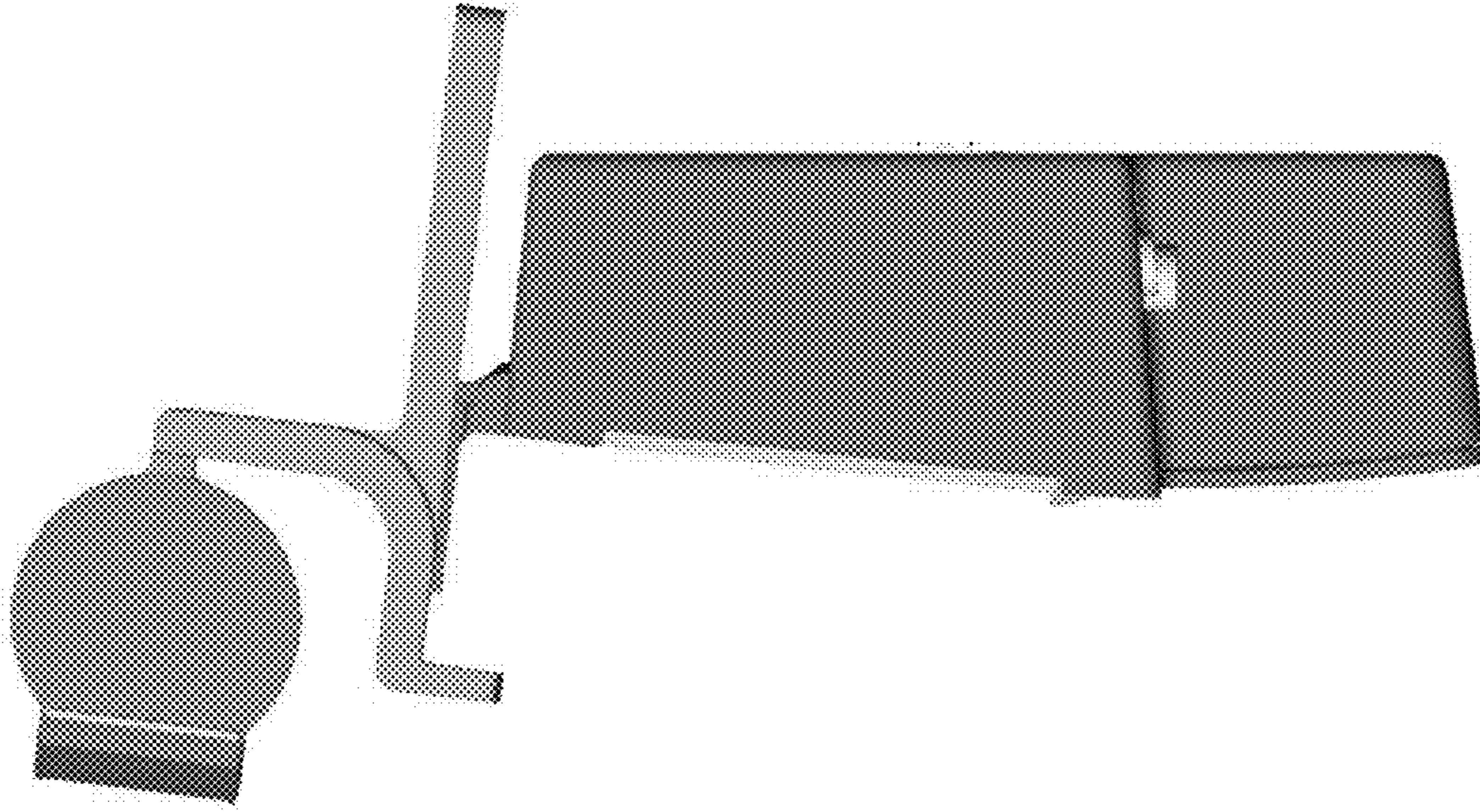


Fig. 5

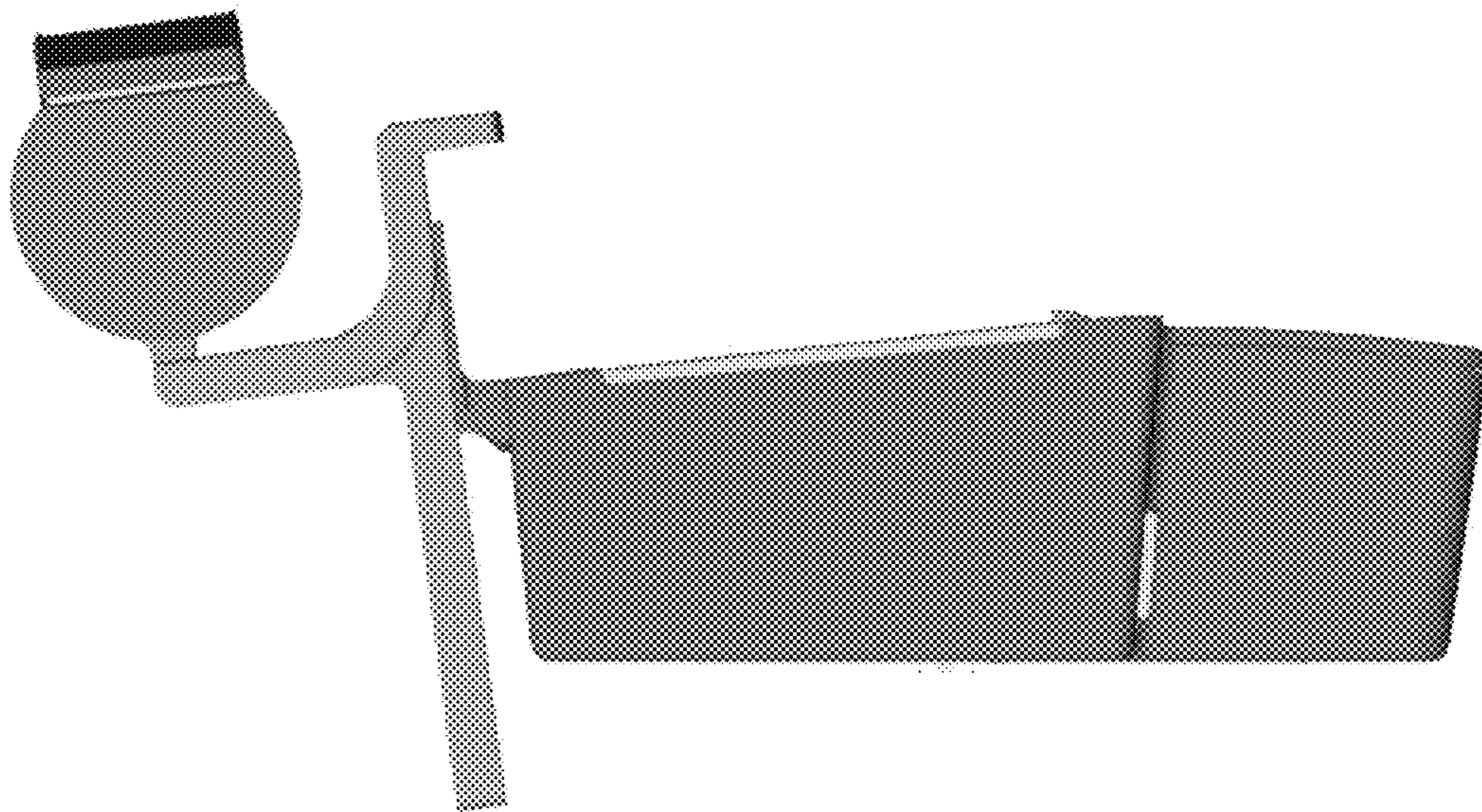


Fig. 6

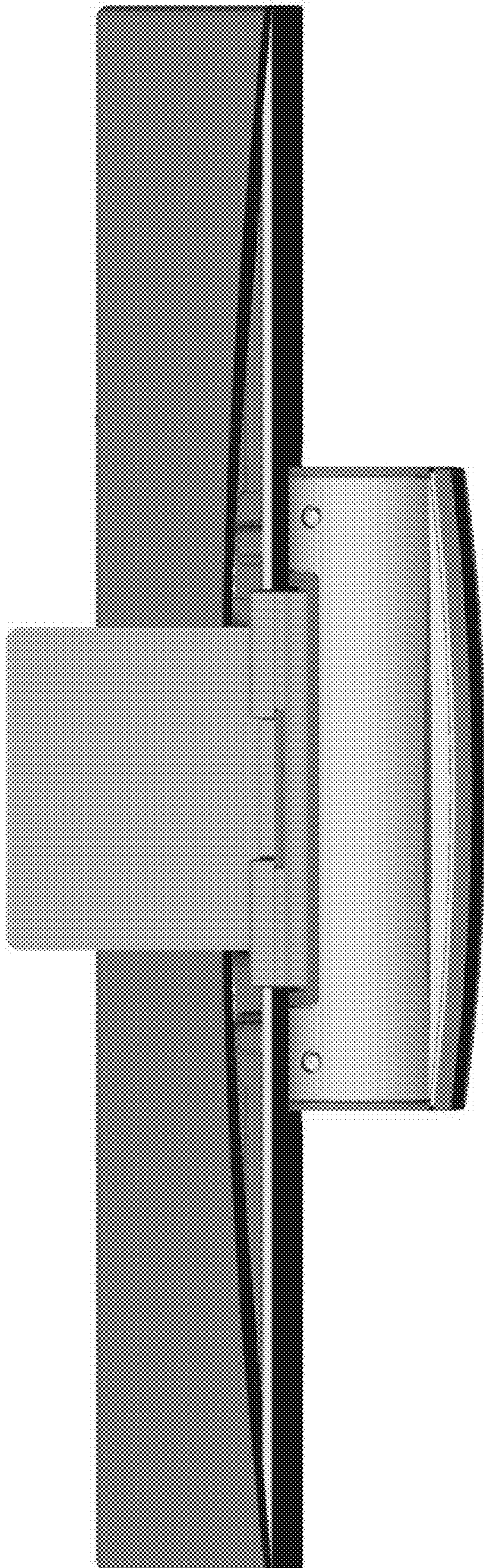


Fig. 7

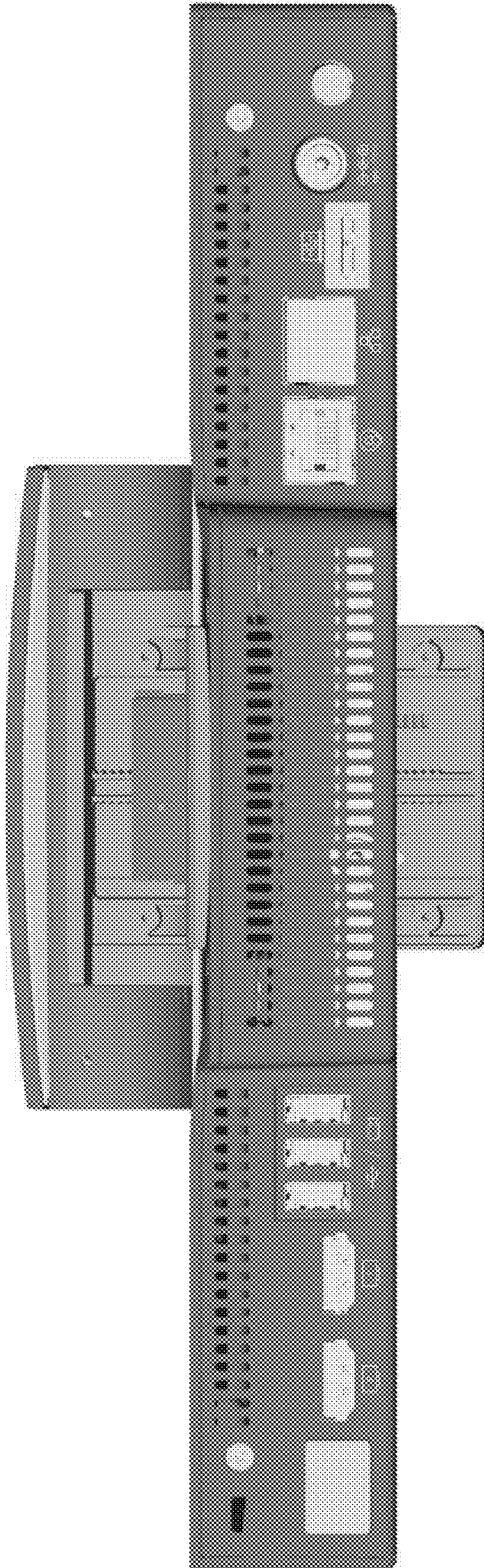


Fig. 8