



US00D939604S

(12) **United States Design Patent** (10) **Patent No.:** **US D939,604 S**
Su et al. (45) **Date of Patent:** **** Dec. 28, 2021**

(54) **CAMERA**

(56) **References Cited**

(71) Applicant: **ARASHI VISION INC.**, Shenzhen (CN)

U.S. PATENT DOCUMENTS

(72) Inventors: **Wen Su**, Shenzhen (CN); **Lei Zhang**, Shenzhen (CN); **Hui Xu**, Shenzhen (CN); **Jingkang Liu**, Shenzhen (CN); **Fei Gao**, Shenzhen (CN)

D475,381 S *	6/2003	Komatsu	D16/202
D534,938 S *	1/2007	Beasley	D14/130
D544,513 S *	6/2007	Hayashi	D16/202
D659,732 S *	5/2012	Kim	D16/202
D732,594 S *	6/2015	Kawa	D16/202
D747,383 S *	1/2016	Li	D16/203
D816,752 S *	5/2018	Kim	D16/202
D867,426 S *	11/2019	Huang	D16/210
D871,483 S *	12/2019	Chang	D16/203
D879,175 S *	3/2020	Matsumoto	D16/202
D885,455 S *	5/2020	Kanemori	D16/202
D888,130 S *	6/2020	Kintner	D16/218

(73) Assignee: **ARASHI VISION INC.**, Shenzhen (CN)

(**) Term: **15 Years**

* cited by examiner

(21) Appl. No.: **29/736,609**

Primary Examiner — Ramzi Almatrahi

(22) Filed: **Jun. 1, 2020**

(30) **Foreign Application Priority Data**

(57) **CLAIM**

Dec. 4, 2019 (CN) 201930675498.5

The ornamental design for a camera, as shown and described.

(51) **LOC (13) Cl.** **16-01**

(52) **U.S. Cl.**
USPC **D16/202**

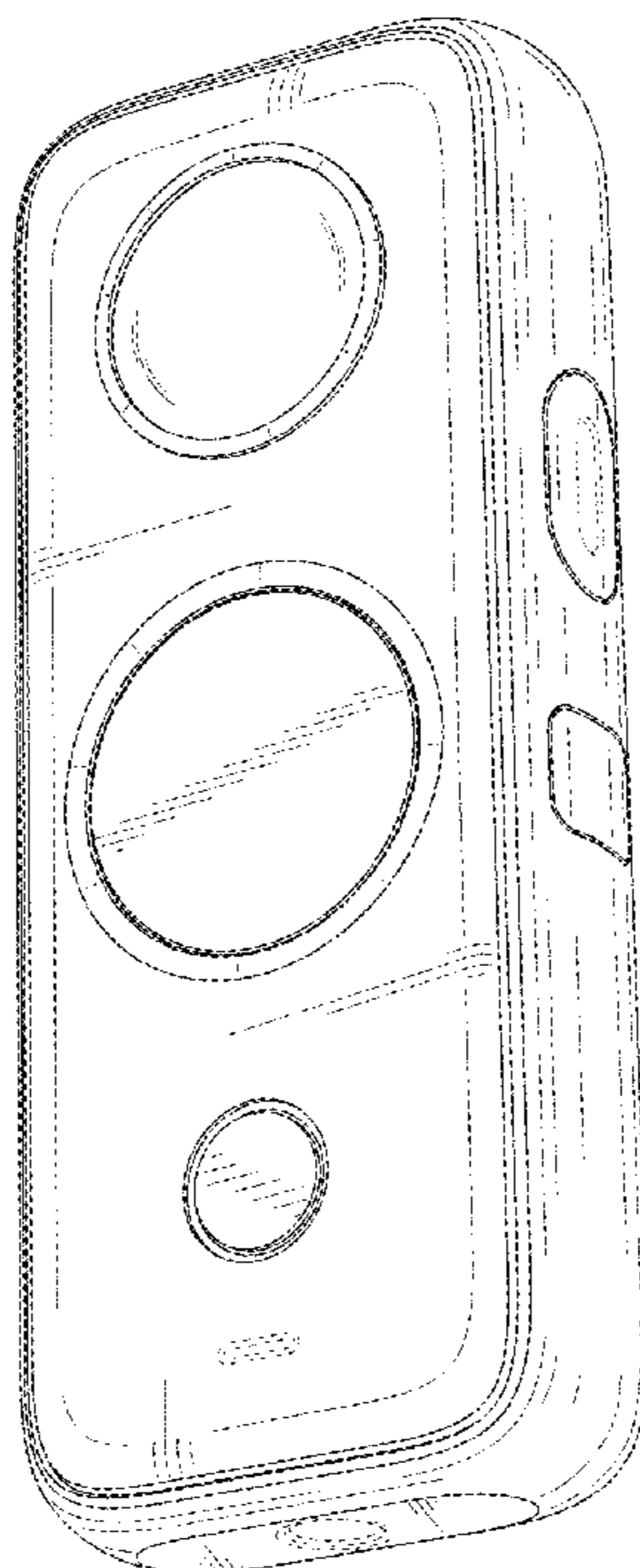
DESCRIPTION

(58) **Field of Classification Search**
USPC D16/200, 202–206, 218, 219, 242;
348/143, 148, 151, 373–376; 396/419,
396/427, 535, 539–541
CPC G03B 17/02; G03B 19/04; G03B 17/56;
G03B 17/04; G03B 15/03; H04N 5/2251;
H04N 5/2252; H04N 5/2253; H04N
5/2254; H04N 7/181; H04N 7/183; H04N
7/18; G08B 13/1963; G08B 13/19619;
G08B 13/19632; F16M 11/04; F16M
13/00

FIG. 1 is a perspective view of a camera showing our new design;
FIG. 2 is a front elevational view thereof;
FIG. 3 is a rear elevational view thereof;
FIG. 4 is a left side elevational view thereof;
FIG. 5 is a right side elevational view thereof;
FIG. 6 is a top plan view thereof; and,
FIG. 7 is a bottom plan view thereof.
The broken lines in the drawings illustrate portions of the camera which form no part of the claimed design.

See application file for complete search history.

1 Claim, 7 Drawing Sheets



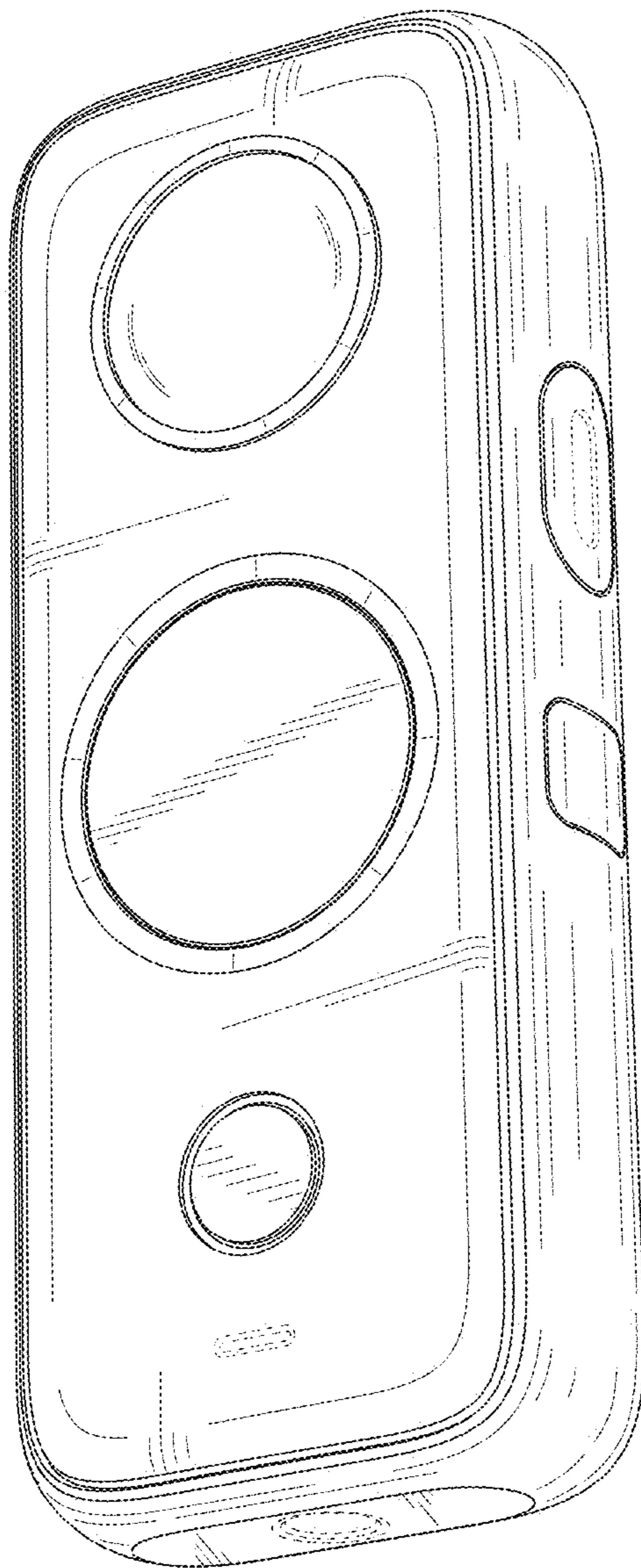


FIG. 1

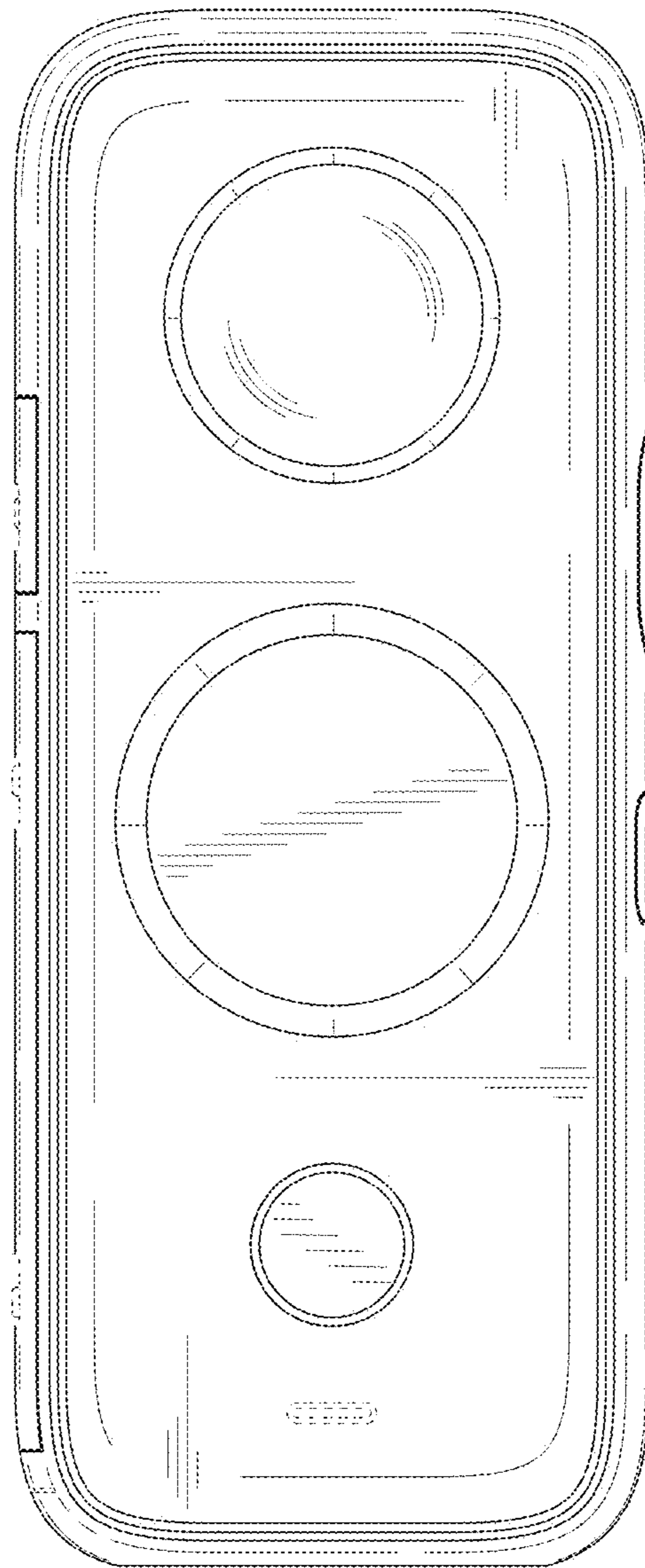


FIG. 2

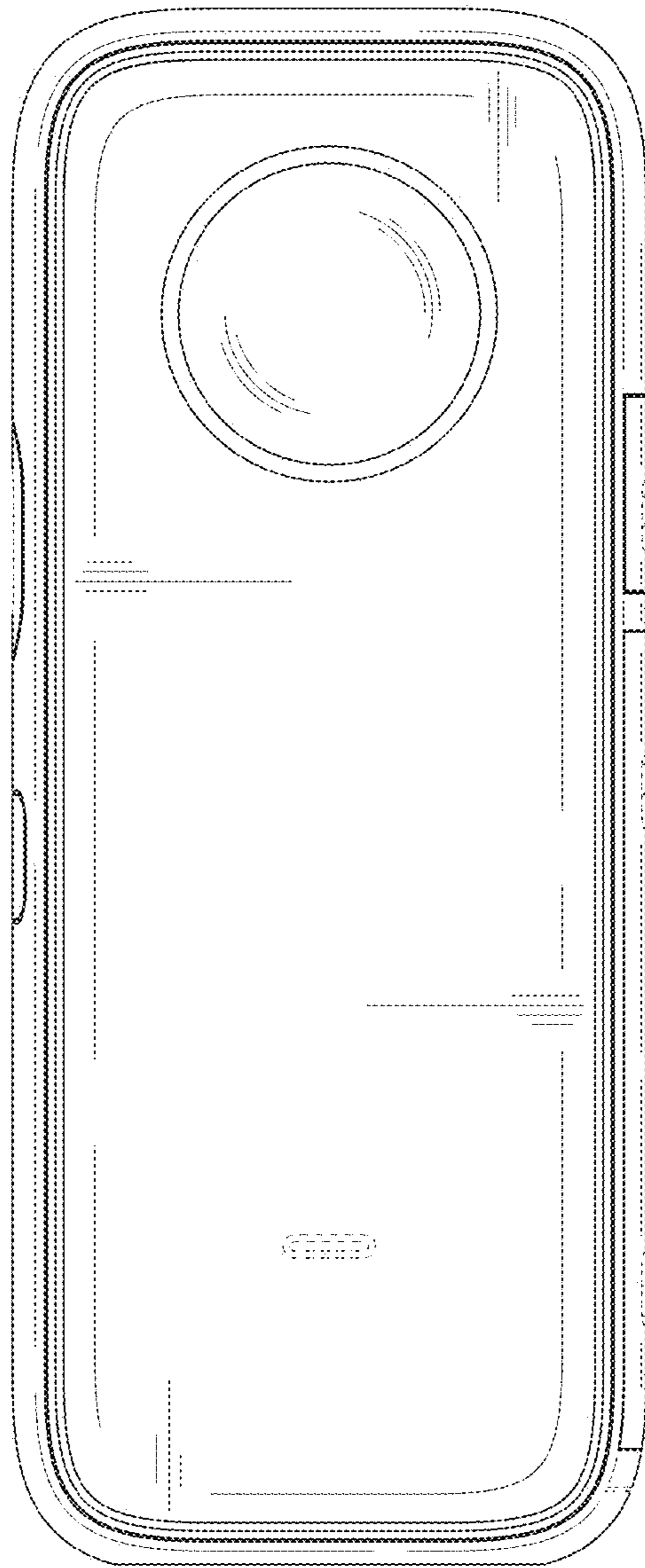


FIG. 3

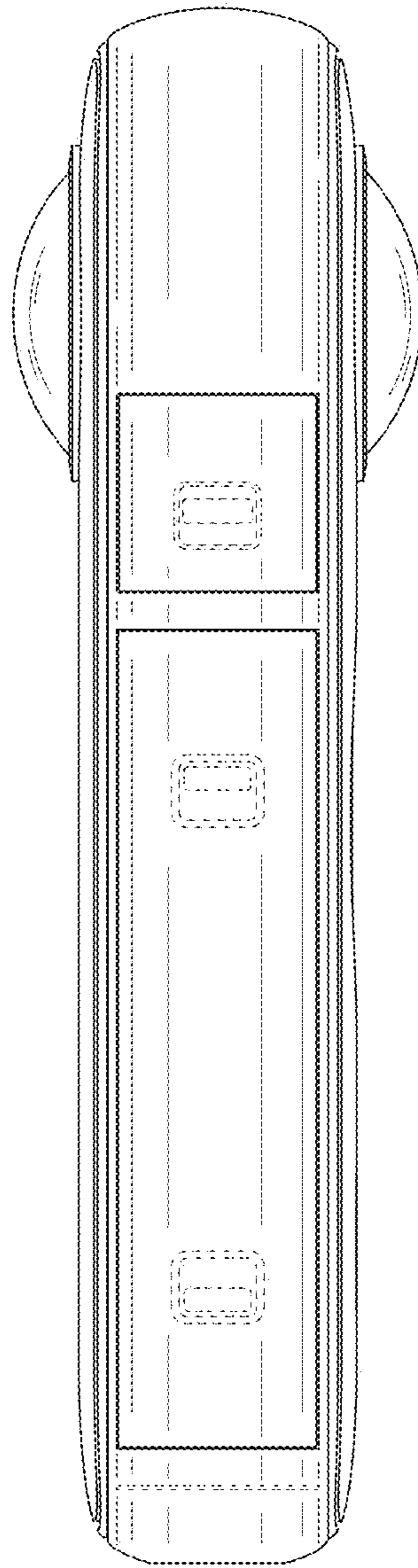


FIG. 4

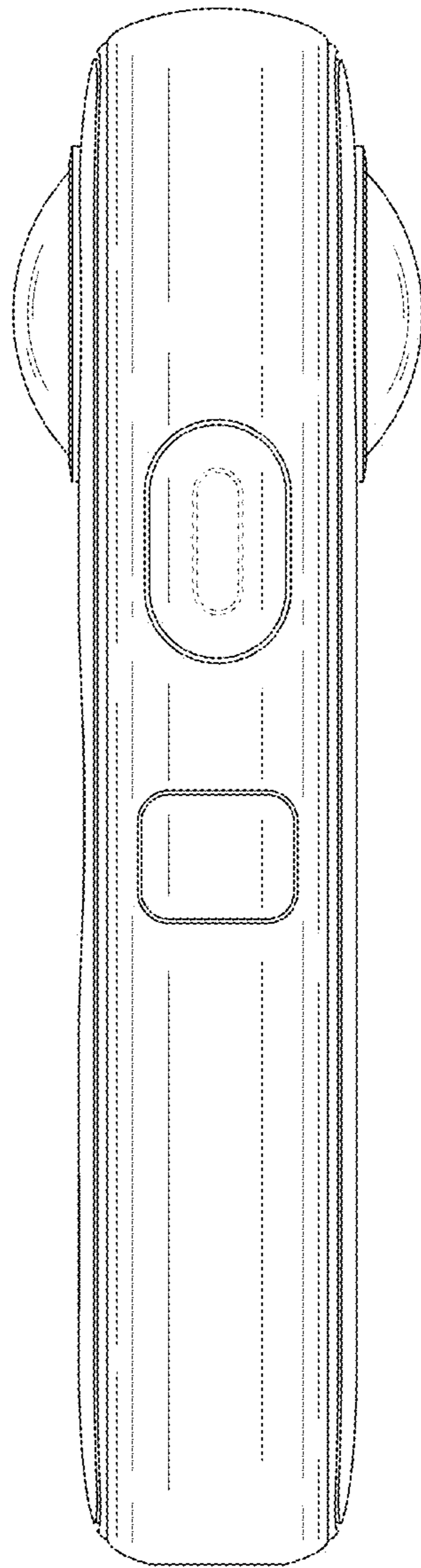


FIG. 5

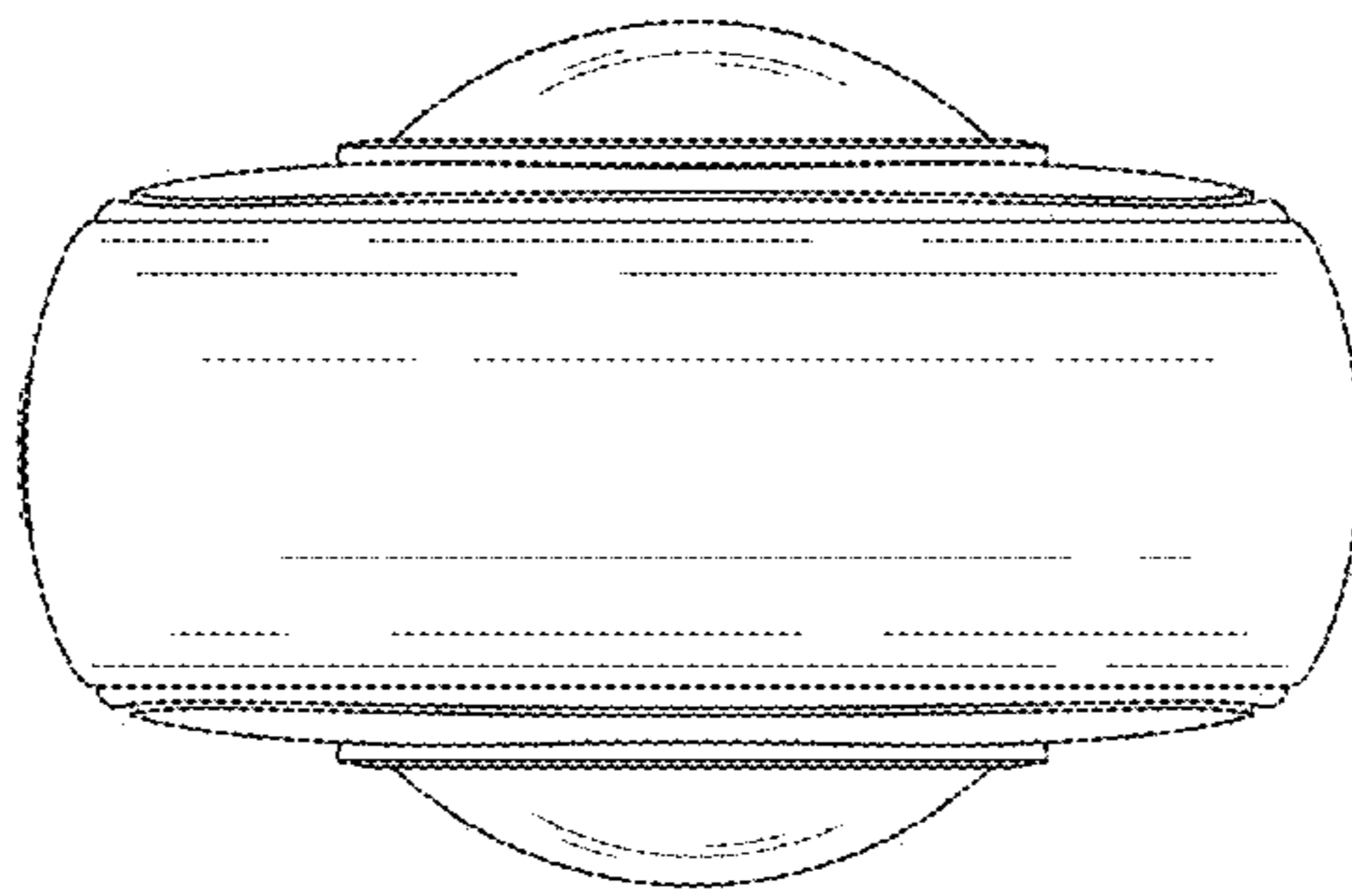


FIG. 6

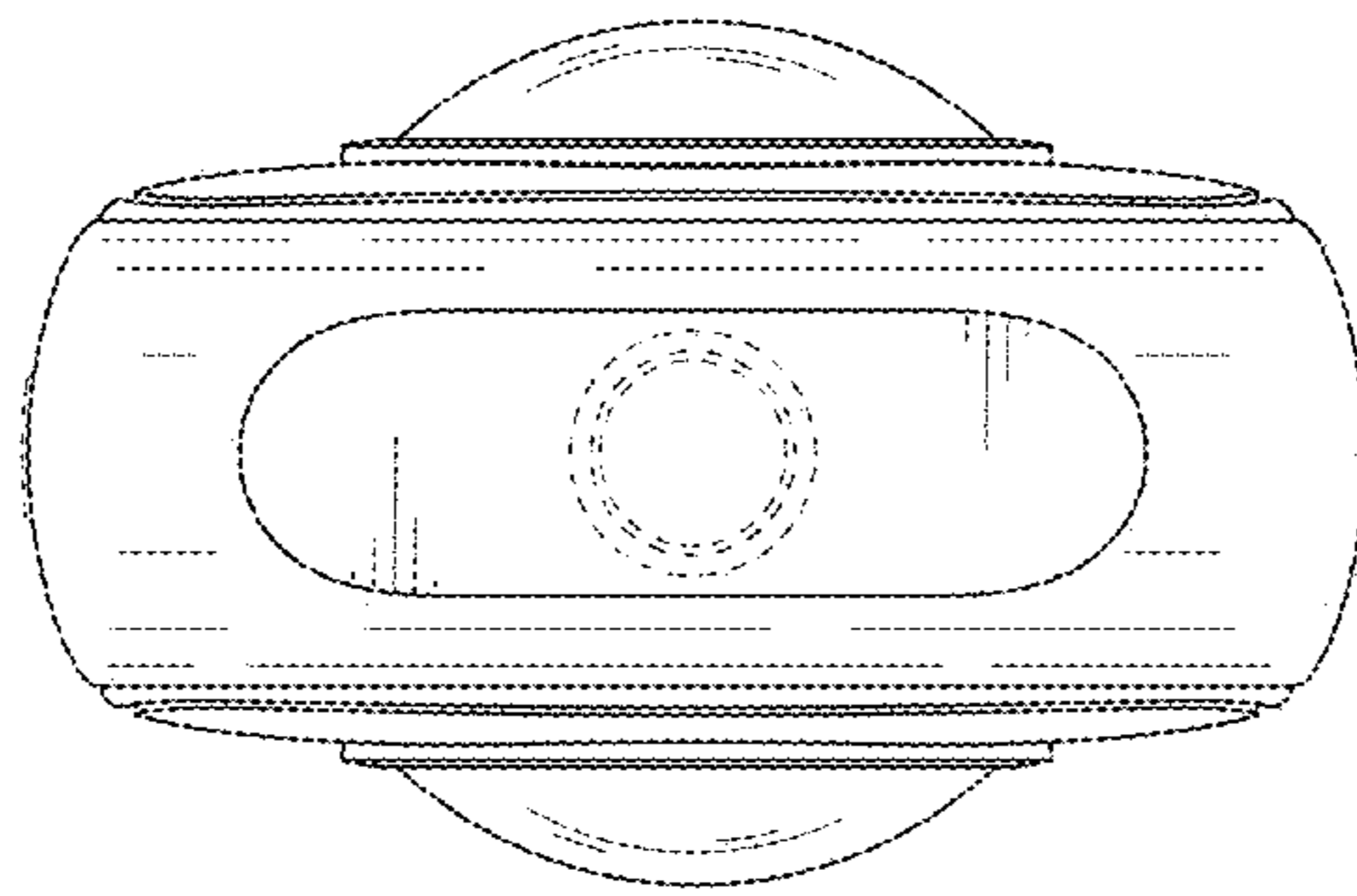


FIG. 7