



US00D939603S

(12) **United States Design Patent**  
**Proell**

(10) **Patent No.:** **US D939,603 S**

(45) **Date of Patent:** **\*\* Dec. 28, 2021**

(54) **TELESCOPE**

(71) Applicant: **SWAROVSKI-OPTIK KG., Absam**  
(AT)

(72) Inventor: **Julian Proell, Linz (AT)**

(73) Assignee: **SWAROVSKI-OPTIK KG, Absam**  
(AT)

(\*\*) Term: **15 Years**

(21) Appl. No.: **29/683,620**

(22) Filed: **Mar. 14, 2019**

**Related U.S. Application Data**

(62) Division of application No. 35/504,576, filed on Feb. 22, 2018 (U.S. filing date under 35 U.S.C. 384), and having an international filing date of Feb. 22, 2018, now Pat. No. Des. 860,285.

(51) **LOC (13) Cl.** ..... **16-06**

(52) **U.S. Cl.**  
USPC ..... **D16/132**

(58) **Field of Classification Search**  
USPC ..... D16/130-136; D22/100, 108, 109, 110  
CPC ..... G02B 23/00; G02B 23/02; G02B 23/12;  
G02B 23/16; G02B 7/04  
See application file for complete search history.

(56) **References Cited**

**U.S. PATENT DOCUMENTS**

D123,486 S *	11/1940	Miles .....	D16/132
D165,231 S	11/1951	Kieffer, III et al.	
D215,355 S *	9/1969	Weatherby et al. ....	D16/132
D272,916 S *	3/1984	Tomatsuri .....	D16/132
D285,698 S	9/1986	Ogasawara	
D288,210 S *	2/1987	Mise .....	D16/132
D344,531 S *	2/1994	Nemoto .....	D16/130
D374,022 S	9/1996	Meinzer	
D374,679 S *	10/1996	Palmer .....	D16/133
D395,440 S	6/1998	Ogasawara et al.	

5,946,132 A \* 8/1999 Phillips ..... F41G 1/345  
359/351

D438,221 S 2/2001 Hedrick et al.

D439,259 S 3/2001 Yamaguchi

6,349,905 B1 \* 2/2002 Mills ..... F16M 11/14  
248/126

D454,144 S 3/2002 Ogasawara et al.

D454,899 S 3/2002 Hedrick et al.

(Continued)

**OTHER PUBLICATIONS**

Swarovski Optik, "Swarovski ST Vista: the eternal spotting scope", AllShooters.com (<https://www.all4shooters.com/en/hunting/optics/swarovski-st-vista-spotting-scope/>), first available online Mar. 11, 2019.\*

*Primary Examiner* — Holly E Thurman

(74) *Attorney, Agent, or Firm* — Collard & Roe, P.C.

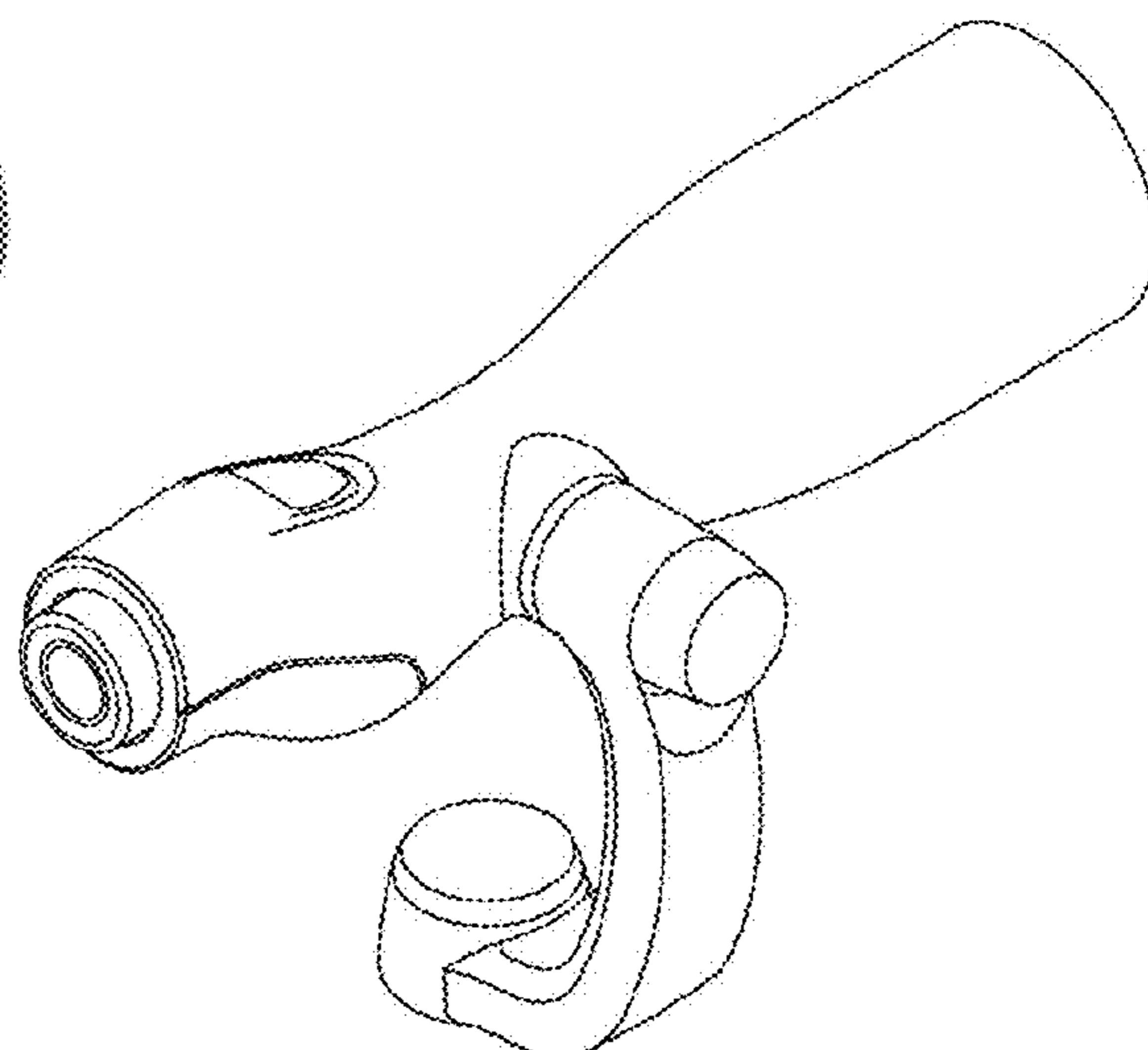
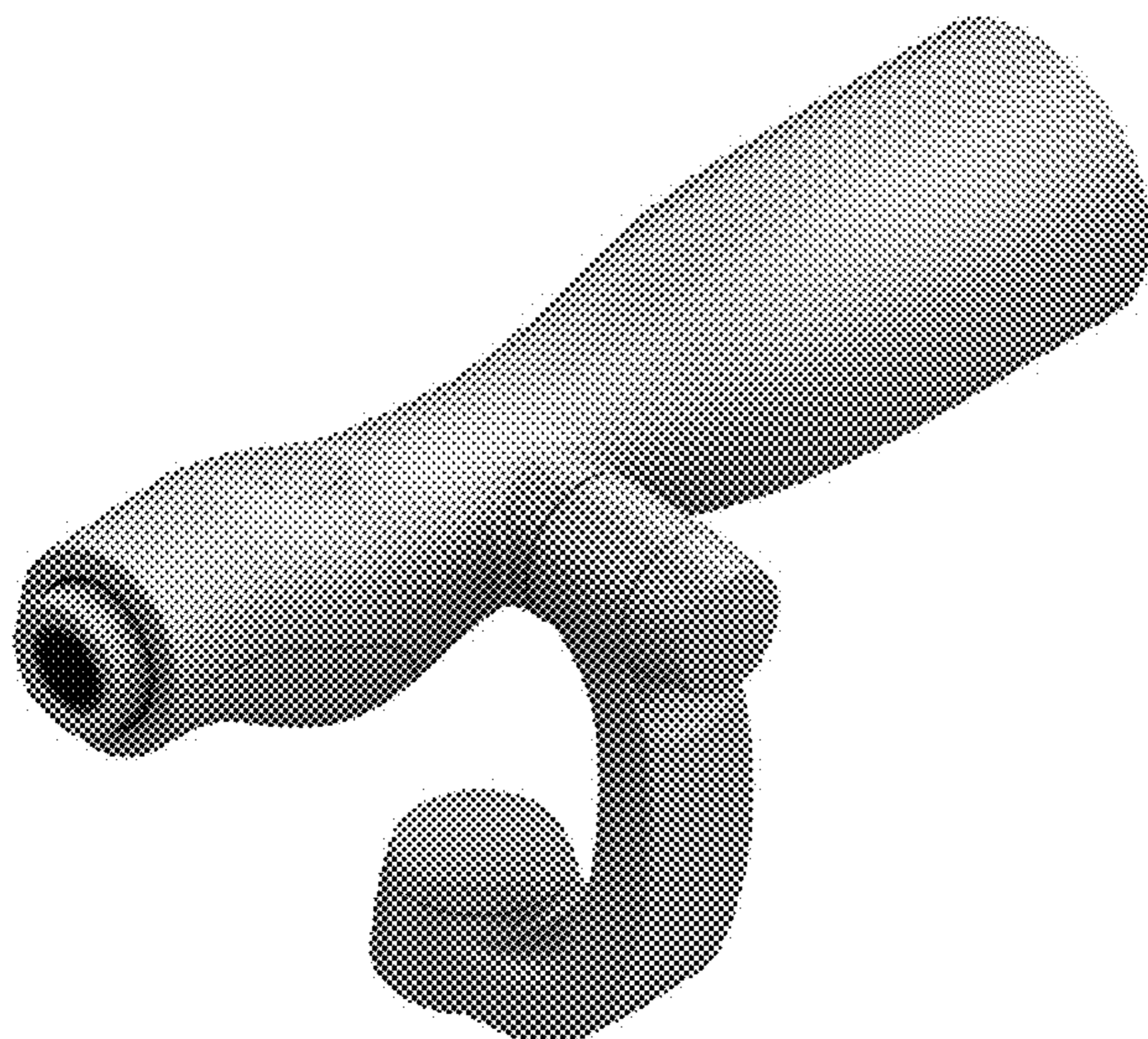
(57) **CLAIM**

The ornamental design for a telescope, as shown and described.

**DESCRIPTION**

FIG. 1 is a perspective view of telescope showing my new design;  
FIG. 2 is a rear view thereof;  
FIG. 3 is a left side view thereof;  
FIG. 4 is a top view thereof;  
FIG. 5 is a right side view thereof;  
FIG. 6 is a bottom view thereof;  
FIG. 7 is a front view thereof;  
FIG. 8 is a rear view of the second embodiment;  
FIG. 9 is a perspective view thereof;  
FIG. 10 is a left view thereof;  
FIG. 11 is a top view thereof;  
FIG. 12 is a right view thereof;  
FIG. 13 is a bottom view thereof; and,  
FIG. 14 is a front view thereof.

**1 Claim, 14 Drawing Sheets**



(56)

**References Cited**

U.S. PATENT DOCUMENTS

D479,255	S *	9/2003	Hamamura .....	D16/132
D482,709	S *	11/2003	Meinzer .....	D16/132
D484,898	S	1/2004	Moro	
D490,097	S *	5/2004	Regan .....	D16/132
D512,449	S *	12/2005	Regan .....	D16/132
D522,550	S	6/2006	Kung	
D534,193	S	12/2006	Ono	
D550,263	S	9/2007	Zhou	
D572,740	S	7/2008	Kitera	
D587,290	S *	2/2009	Meinzer .....	D16/132
D675,239	S	1/2013	Wunnicke et al.	
D695,327	S	12/2013	Hoelbl	
D705,840	S *	5/2014	Iwabuchi .....	G02B 23/16 D16/132
D724,129	S	3/2015	Marsiglia et al.	
D731,571	S	6/2015	Imamizu	
D815,676	S *	4/2018	Perry .....	D16/132
D816,795	S	5/2018	Vogl et al.	
D817,376	S	5/2018	Vogl et al.	
D818,512	S	5/2018	Massegg et al.	
D860,285	S *	9/2019	Proll .....	D16/132
2004/0207750	A1 *	10/2004	Wu .....	G02B 23/12 348/375
2019/0113298	A1 *	4/2019	Fudala .....	F41A 23/14

\* cited by examiner

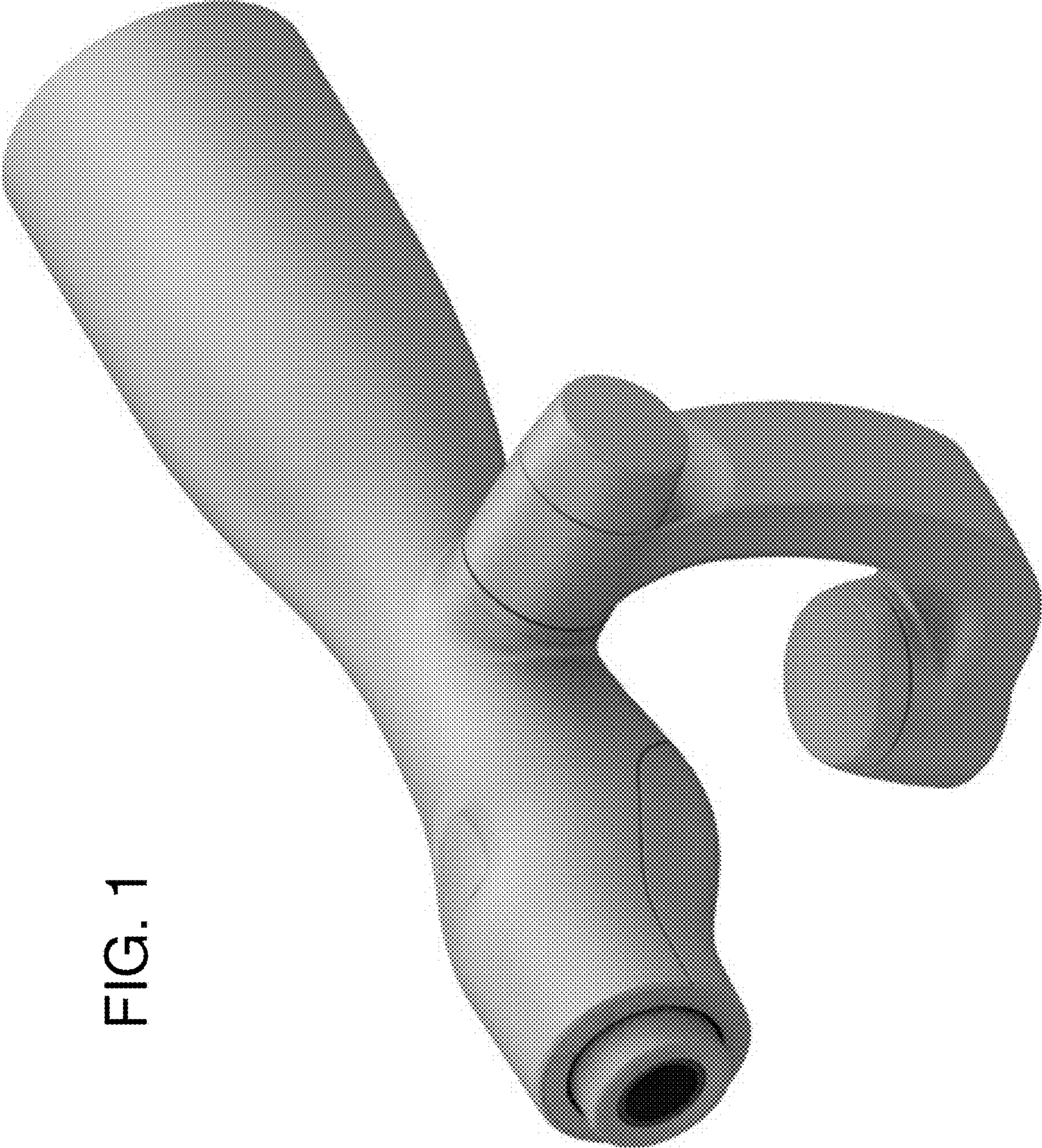


FIG. 1

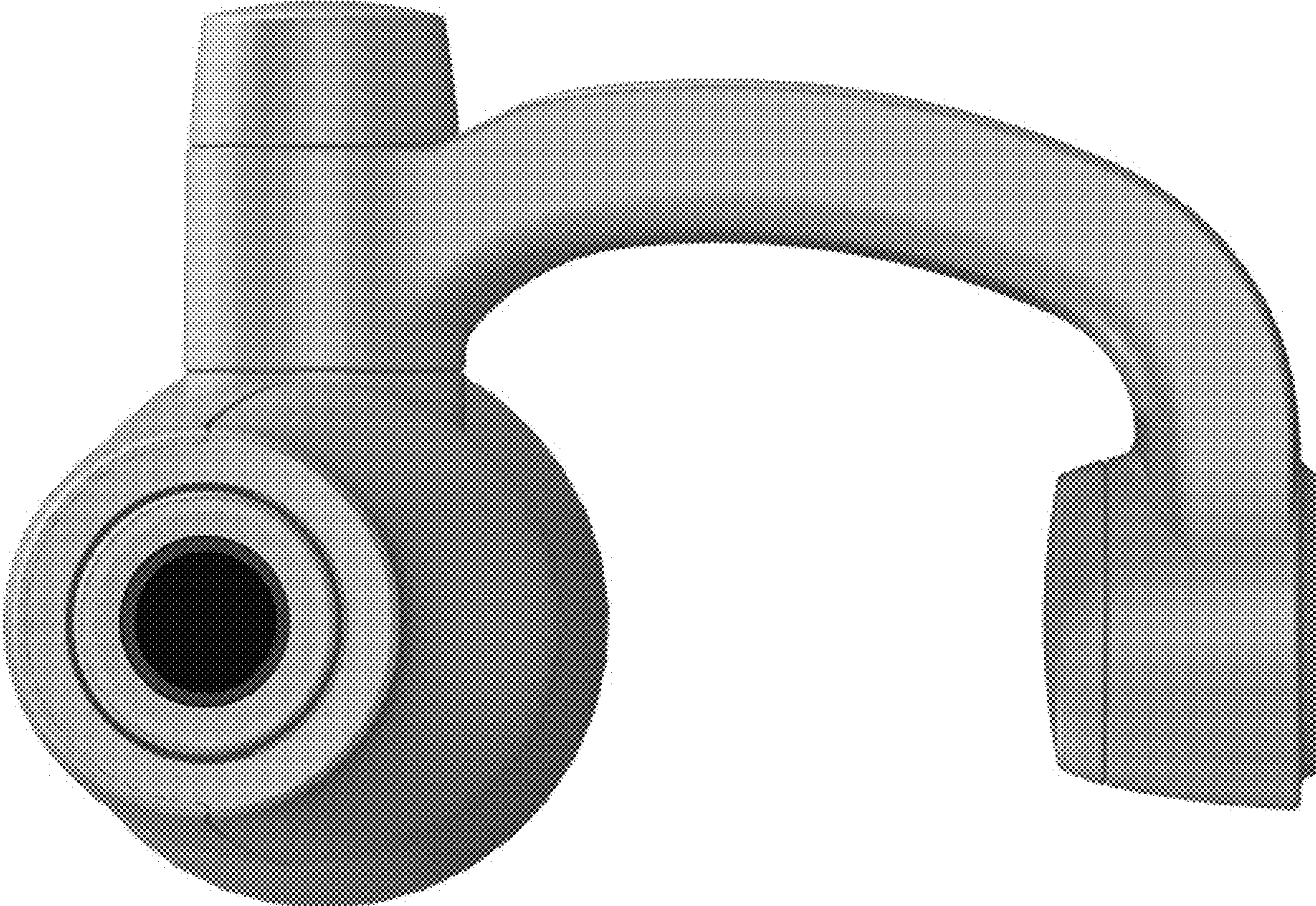
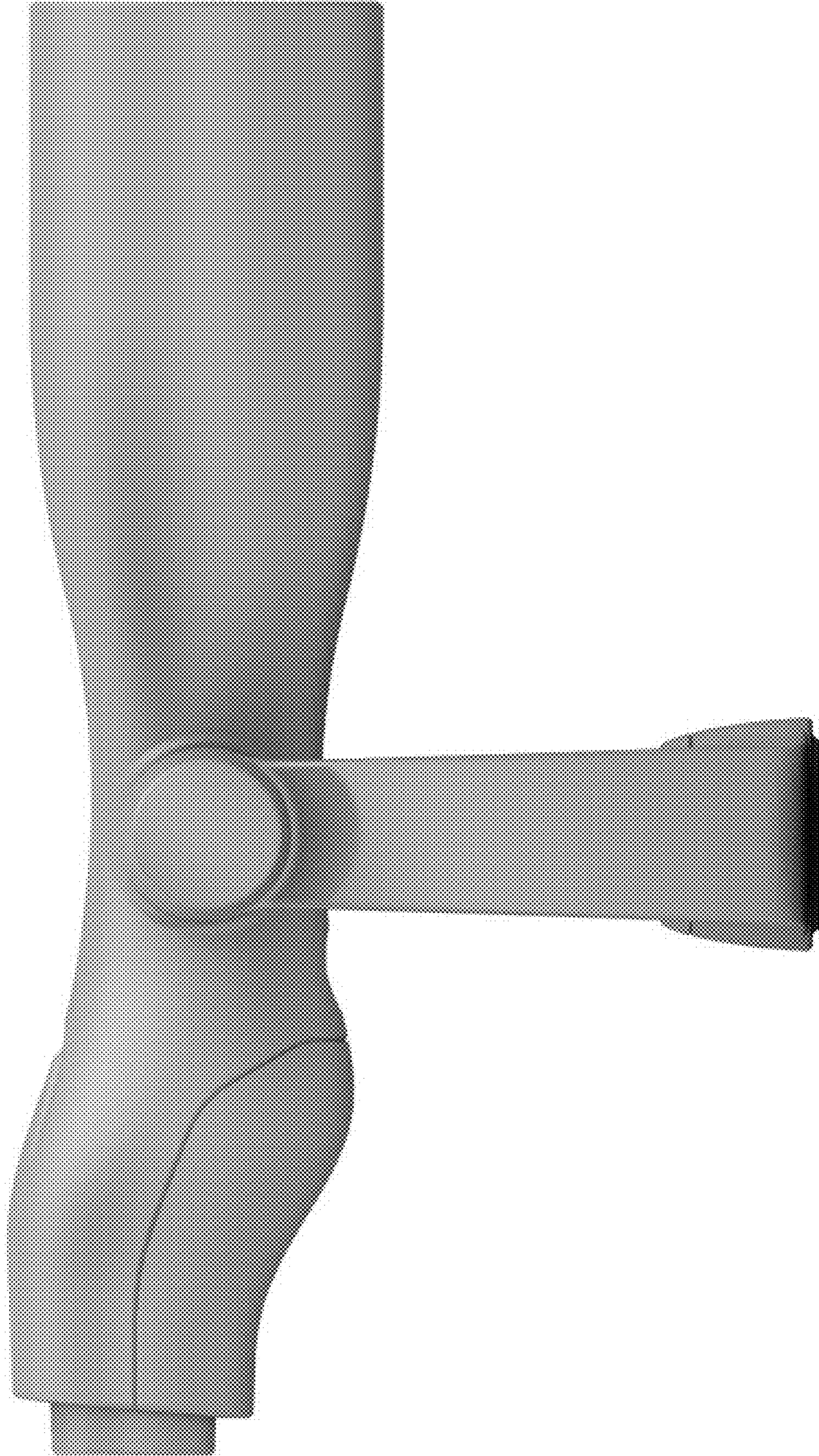


FIG. 2

FIG. 3



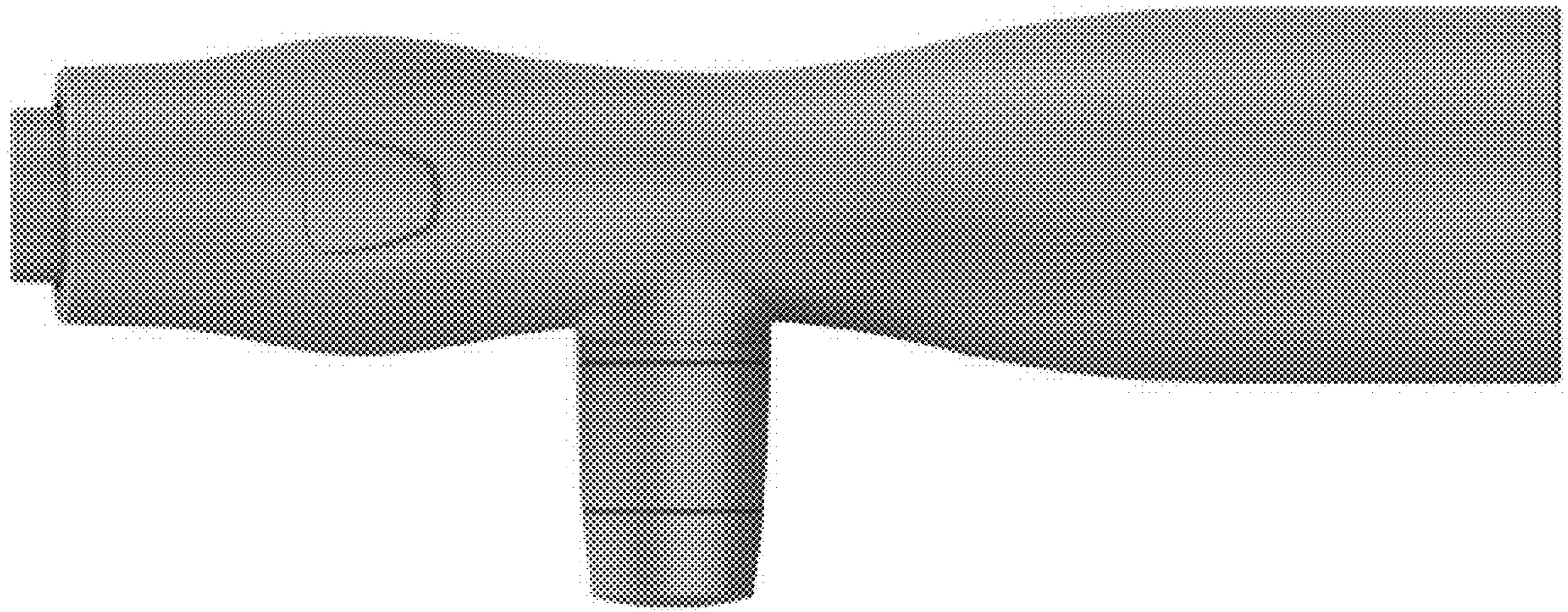


FIG. 4

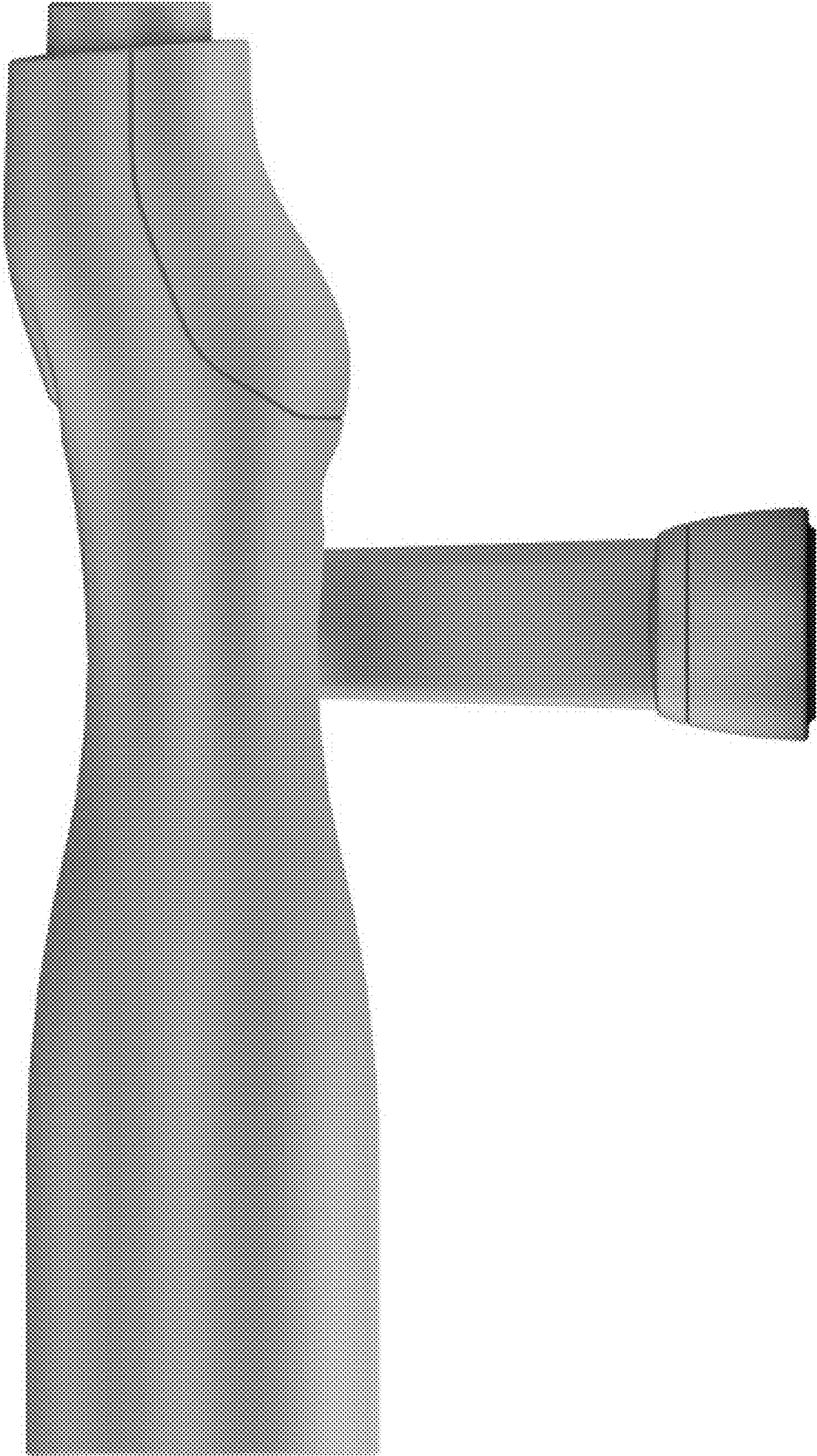


FIG. 5

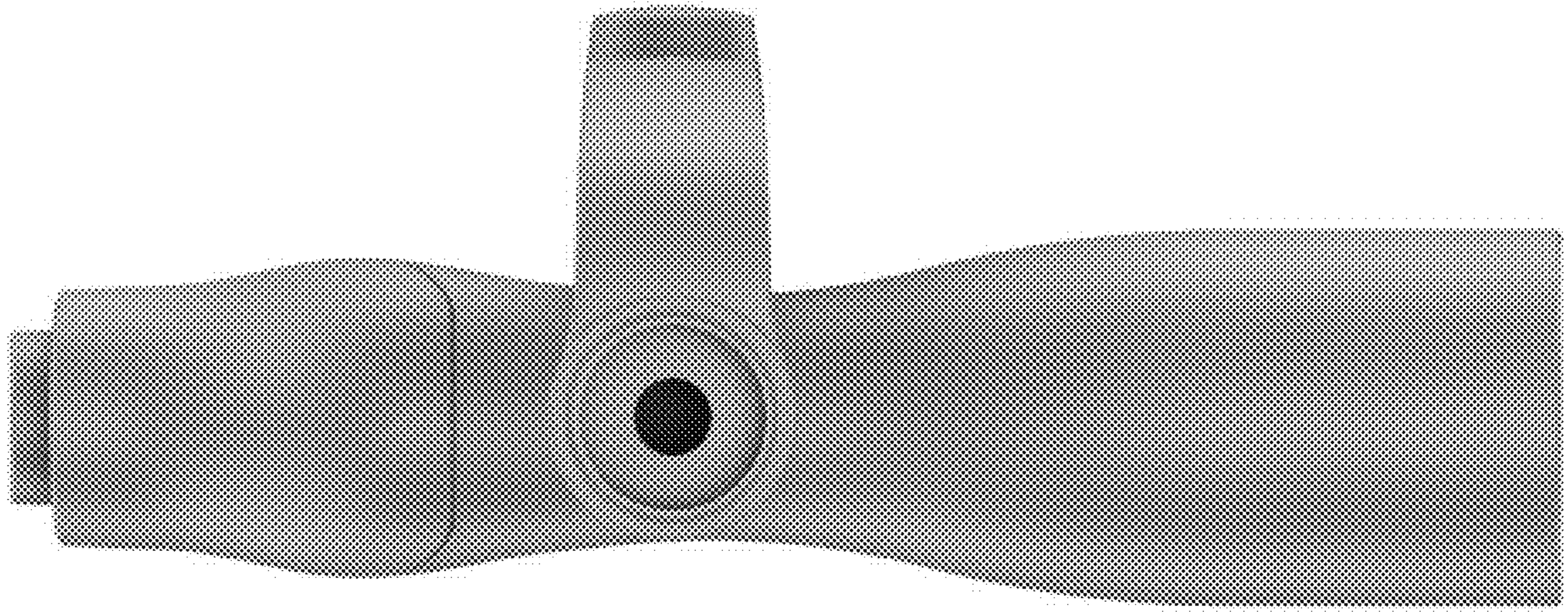


FIG. 6





FIG. 7

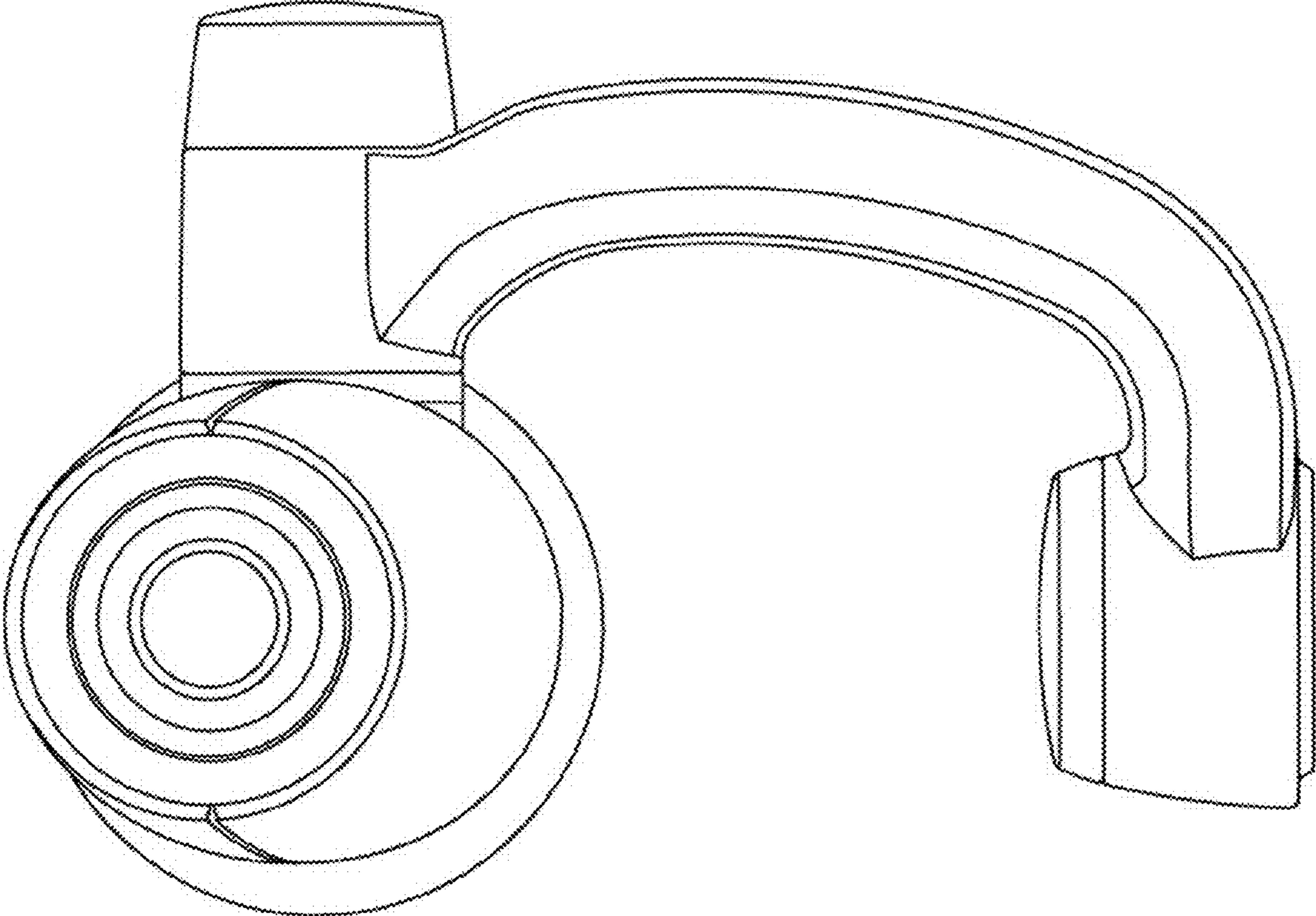


FIG. 8

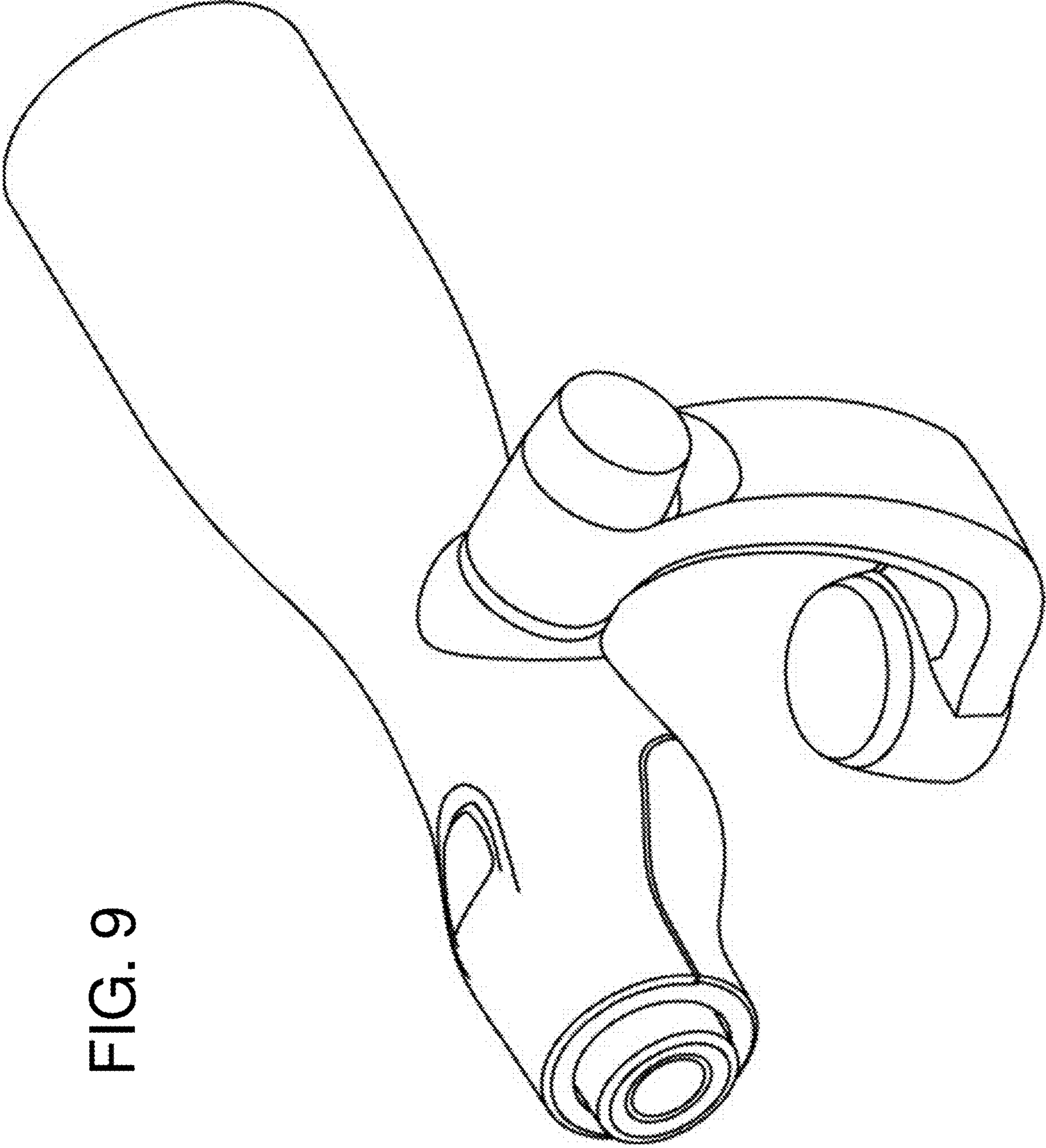


FIG. 9

FIG. 10

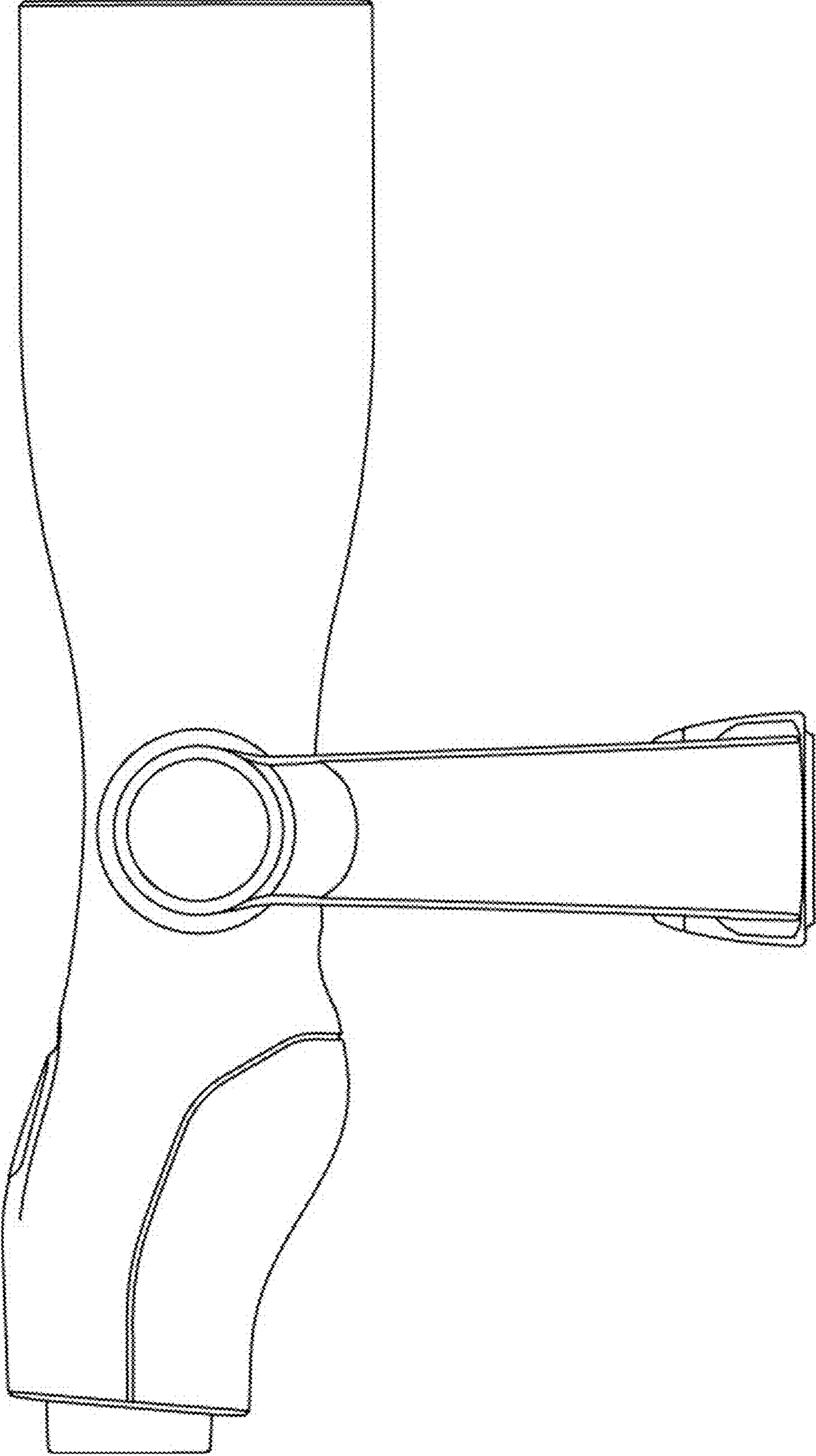
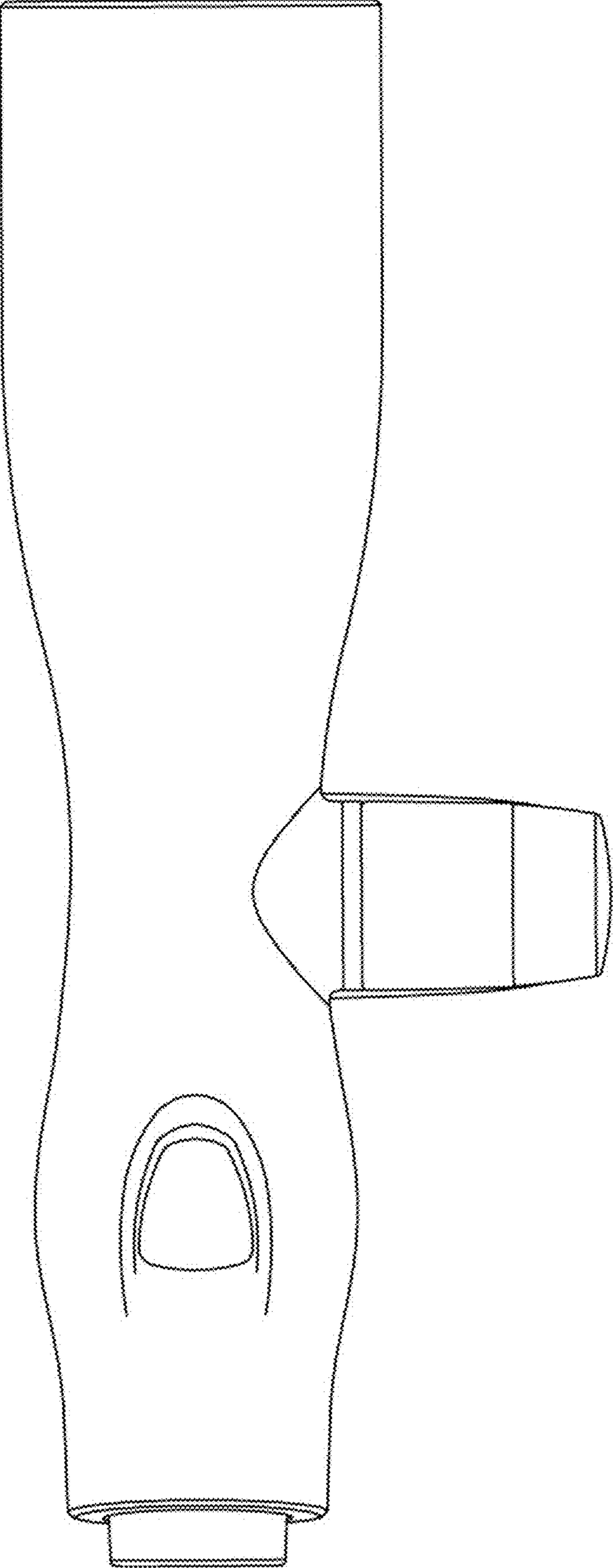


FIG. 11



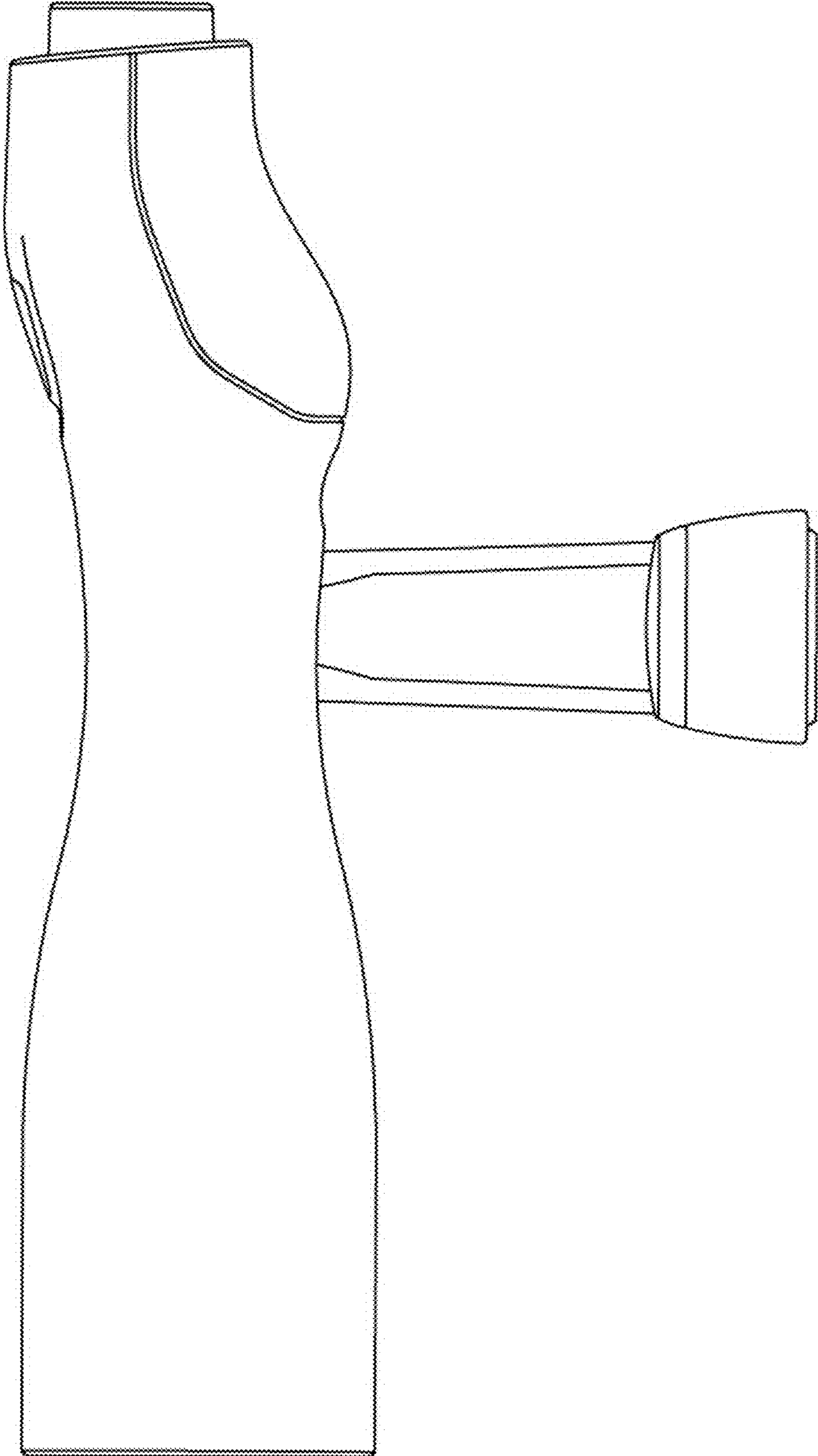


FIG. 12

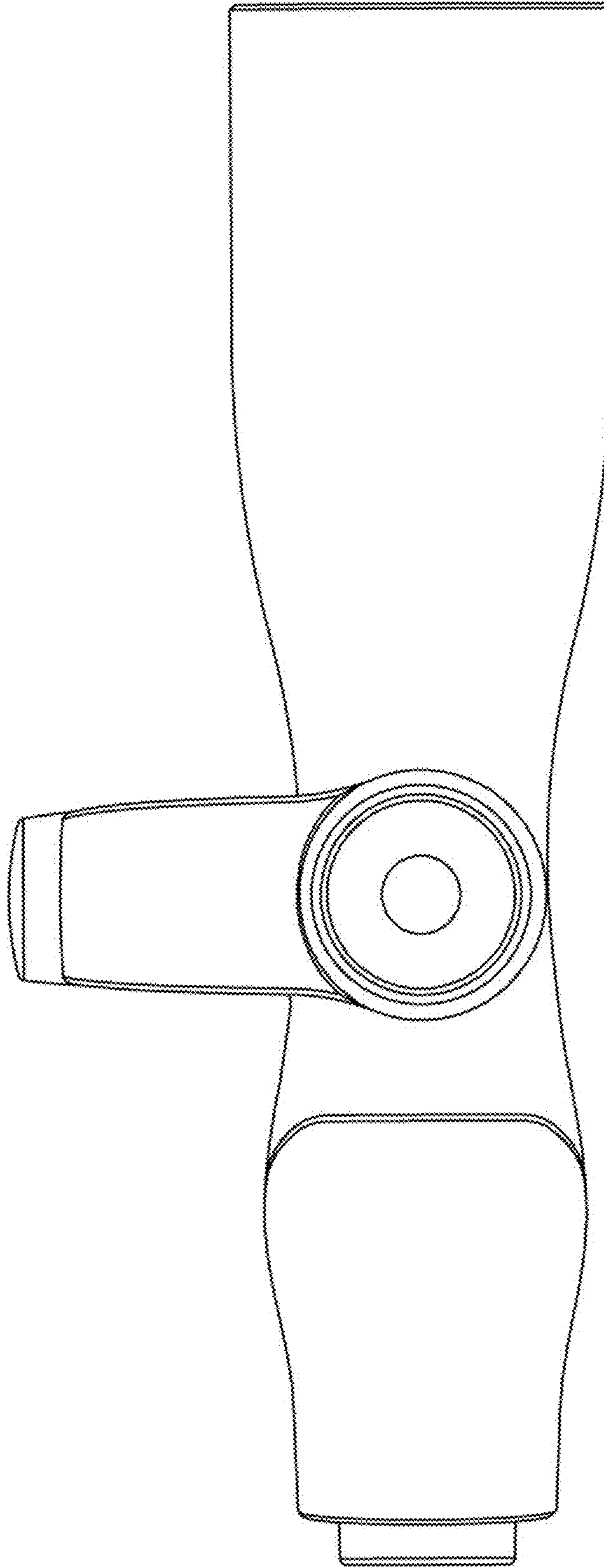


FIG. 13

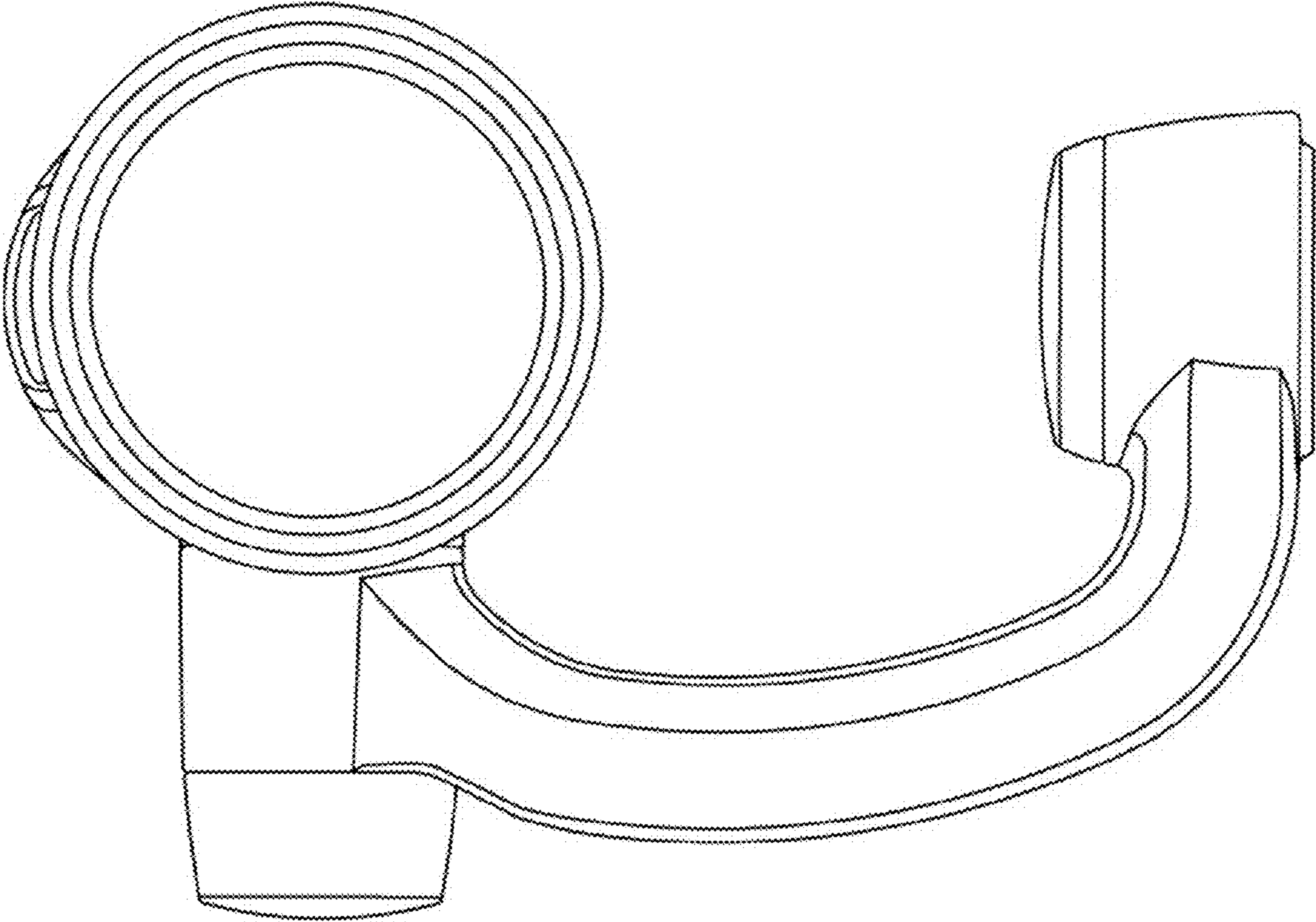


FIG. 14