



US00D939600S

(12) **United States Design Patent** (10) **Patent No.:** **US D939,600 S**
Singh et al. (45) **Date of Patent:** **** Dec. 28, 2021**

- (54) **CARTONING MACHINE**
- (71) Applicant: **ACG Pam Pharma Technologies Pvt. Ltd., Maharashtra (IN)**
- (72) Inventors: **Karan Singh, Mumbai (IN); Siddhant Bhambhani, Mumbai (IN)**
- (73) Assignee: **ACG Pam Pharma Technologies Pvt. Ltd.**
- (**) Term: **15 Years**
- (21) Appl. No.: **29/721,468**
- (22) Filed: **Jan. 21, 2020**
- (30) **Foreign Application Priority Data**

Jul. 23, 2019 (IN) 319888-001

- (51) **LOC (13) Cl.** **15-09**
- (52) **U.S. Cl.**
USPC **D15/145; D15/122**
- (58) **Field of Classification Search**
USPC D15/122, 135, 138, 145, 147, 199;
D18/19, 50, 54, 54.1, 55, 59
CPC B31B 1/16; B31B 2201/146; B65B 41/02;
B65B 43/185; B65B 59/02; B65B 11/10;
B65B 11/22
See application file for complete search history.

(56) **References Cited**

U.S. PATENT DOCUMENTS

D222,982 S *	2/1972	Szczepanski	D15/199
D241,160 S *	8/1976	Gurian	D15/122
D266,329 S *	9/1982	Tsujimoto	D15/145
D301,890 S *	6/1989	Silbersky	D15/145
D303,805 S *	10/1989	Sheehan	D15/130
4,874,067 A *	10/1989	Greenwell	B65B 59/005
				192/215

D332,105 S *	12/1992	Perry	D10/97
D349,505 S *	8/1994	Hill	D15/145
D361,339 S *	8/1995	Emery	D10/75
D372,487 S *	8/1996	Brewer	D15/145
D377,183 S *	1/1997	Emery	D15/199
D489,077 S *	4/2004	Bloch	D15/122
D614,211 S *	4/2010	De Vries	D15/122
D638,449 S *	5/2011	Schindler	D15/122
D667,031 S *	9/2012	Mueller	D15/122
D686,261 S *	7/2013	Sunter	D15/145
D691,903 S *	10/2013	Tong	D10/46
D730,959 S *	6/2015	Kirkland	D15/122
D735,253 S *	7/2015	Bausback	D15/122
D759,736 S *	6/2016	Huang	D15/122
D759,738 S *	6/2016	Schönherr	D15/122
D790,610 S *	6/2017	Schindler	D15/122
D799,569 S *	10/2017	Cesar	D15/122
D810,163 S *	2/2018	Longo	D15/145
10,071,831 B1 *	9/2018	Spencer	B65B 35/40
D841,701 S *	2/2019	Gallo	D15/122

(Continued)

Primary Examiner — Patricia A Palasik

(74) *Attorney, Agent, or Firm* — Belles Katz LLC

(57) **CLAIM**

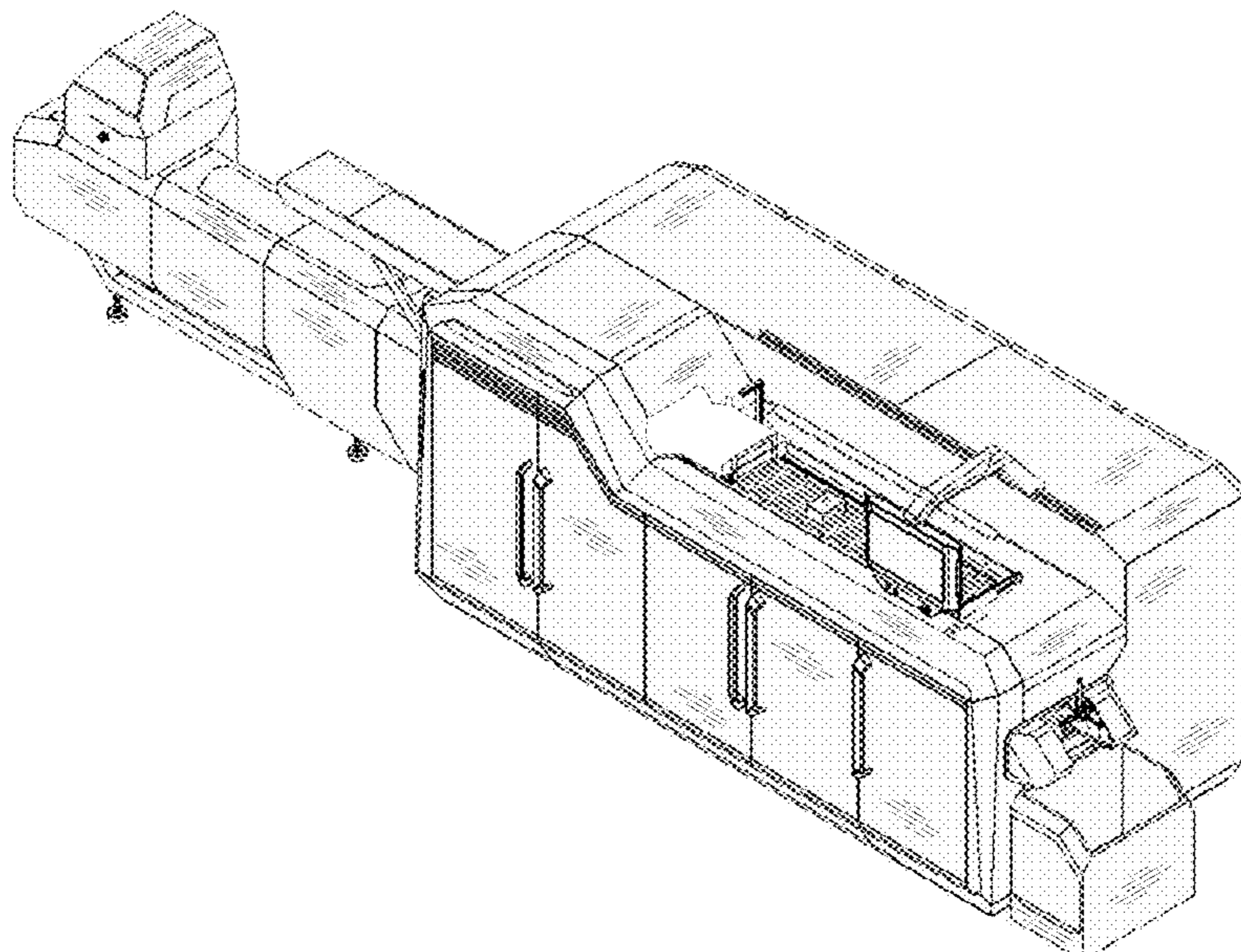
The ornamental design for a cartoning machine, as shown and described.

DESCRIPTION

FIG. 1 is a right front perspective view of a cartoning machine according to a first embodiment of the new design; FIG. 2 is a left front perspective view thereof; FIG. 3 is front view thereof; FIG. 4 is a rear view thereof; FIG. 5 is a left side view thereof; FIG. 6 is a right side view thereof; FIG. 7 is a top view thereof; and, FIG. 8 is bottom view thereof.

The broken lines show portions of the cartoning machine that form no part of the claimed design.

1 Claim, 8 Drawing Sheets



(56)

References Cited

U.S. PATENT DOCUMENTS

D858,590 S * 9/2019 Kazaoka D15/122
D860,271 S * 9/2019 Hou D15/122
D873,876 S * 1/2020 Bellante D15/145
D894,977 S * 9/2020 Cesar Brito D15/122
D901,561 S * 11/2020 Oliver Gonzalez D15/122
2004/0065054 A1 * 4/2004 Thomas Wittibslager
B65B 57/16
53/449
2006/0000470 A1 * 1/2006 Clarke A61J 3/007
128/200.23
2014/0130451 A1 * 5/2014 Hung B65B 41/16
53/203
2014/0287901 A1 * 9/2014 Hagelqvist B31B 70/74
493/108
2016/0016684 A1 * 1/2016 Dugat B23K 26/03
53/492
2016/0185475 A1 * 6/2016 Pettersson B31B 50/005
53/493
2016/0214752 A1 * 7/2016 Ono B29C 66/849

* cited by examiner

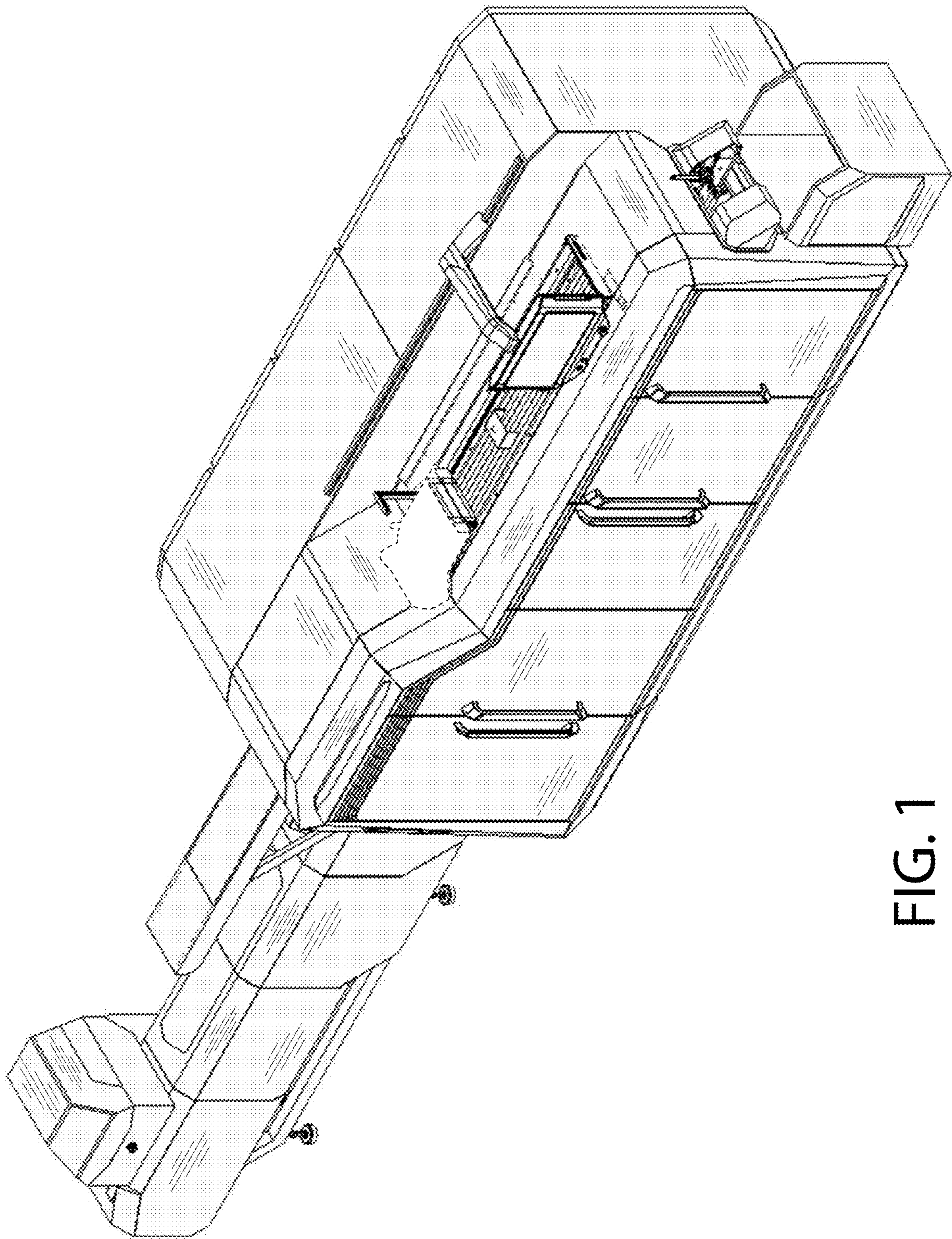


FIG. 1

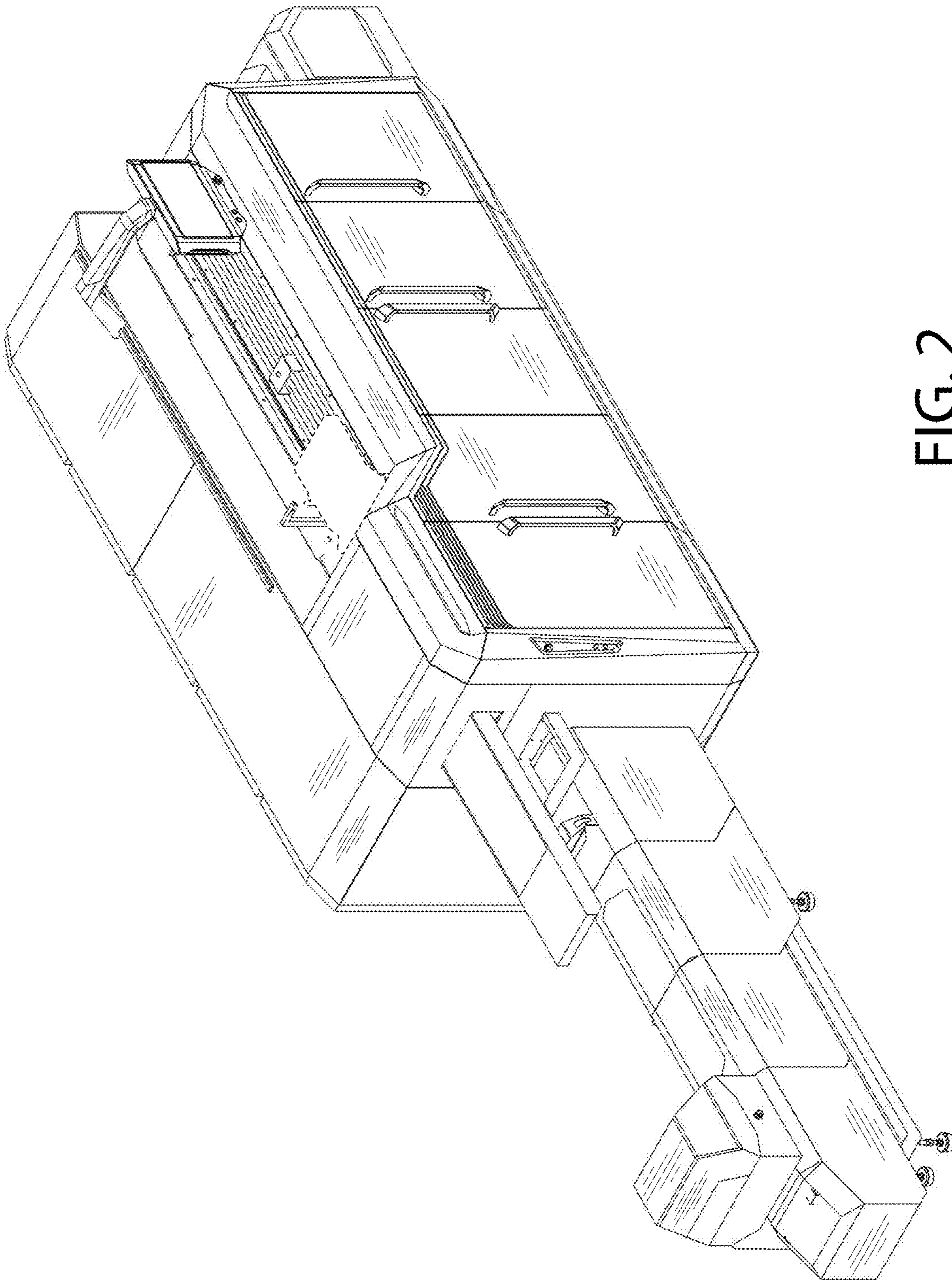


FIG. 2

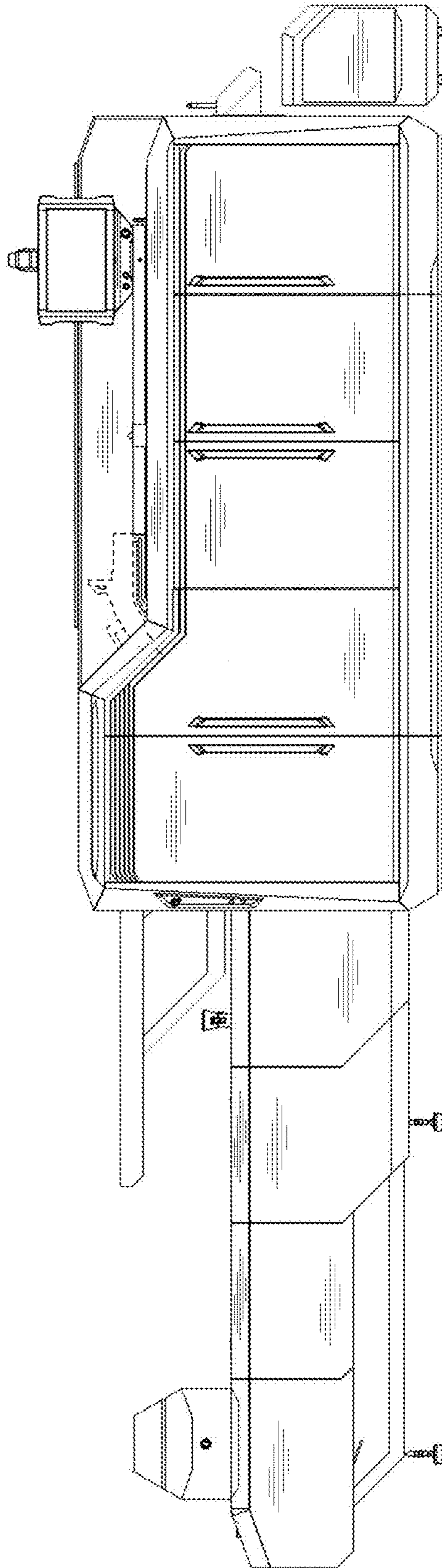


FIG. 3

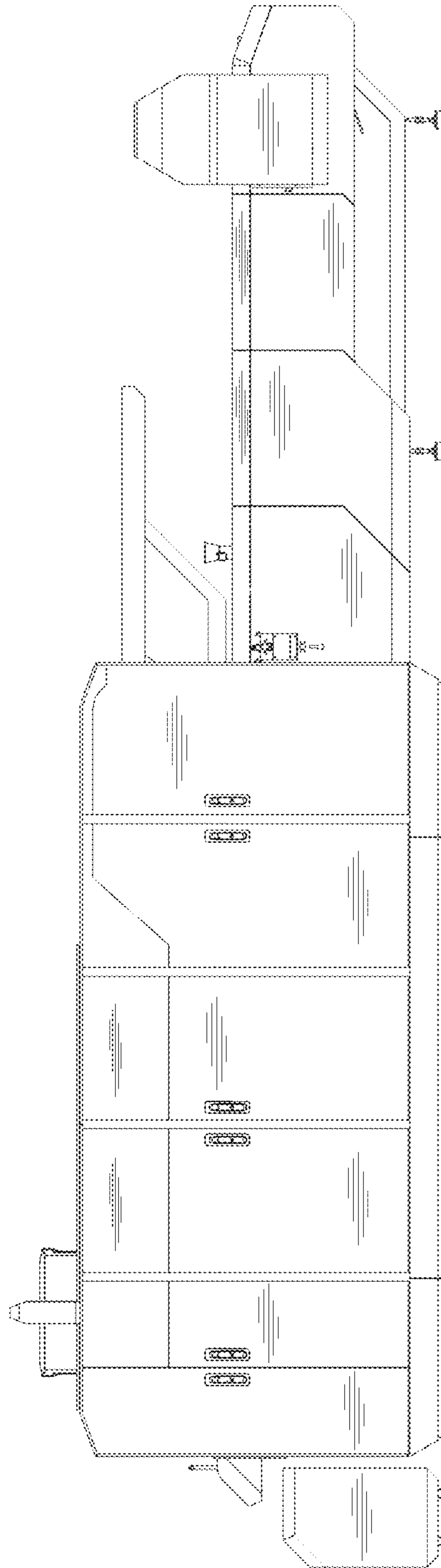


FIG. 4

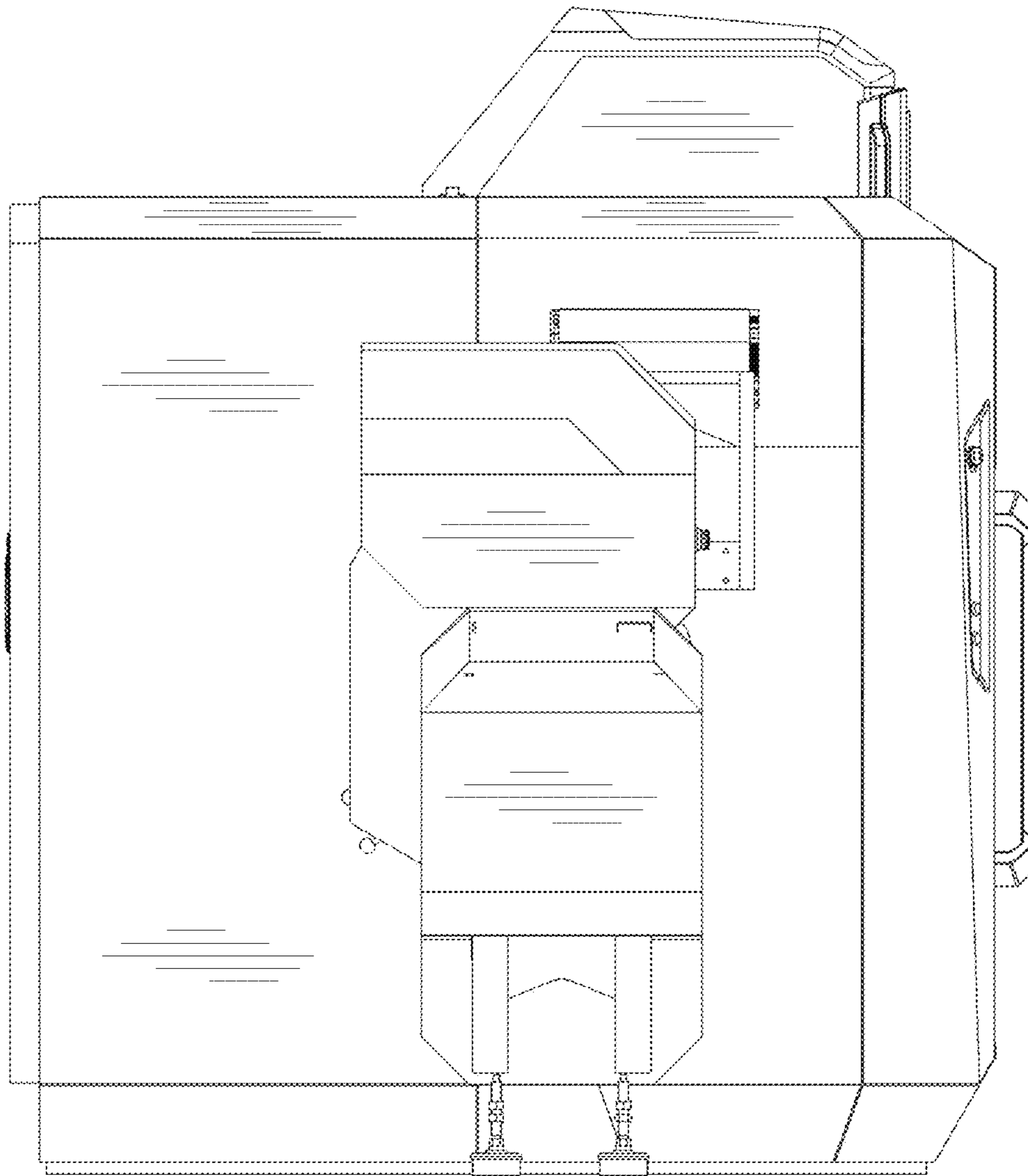


FIG. 5

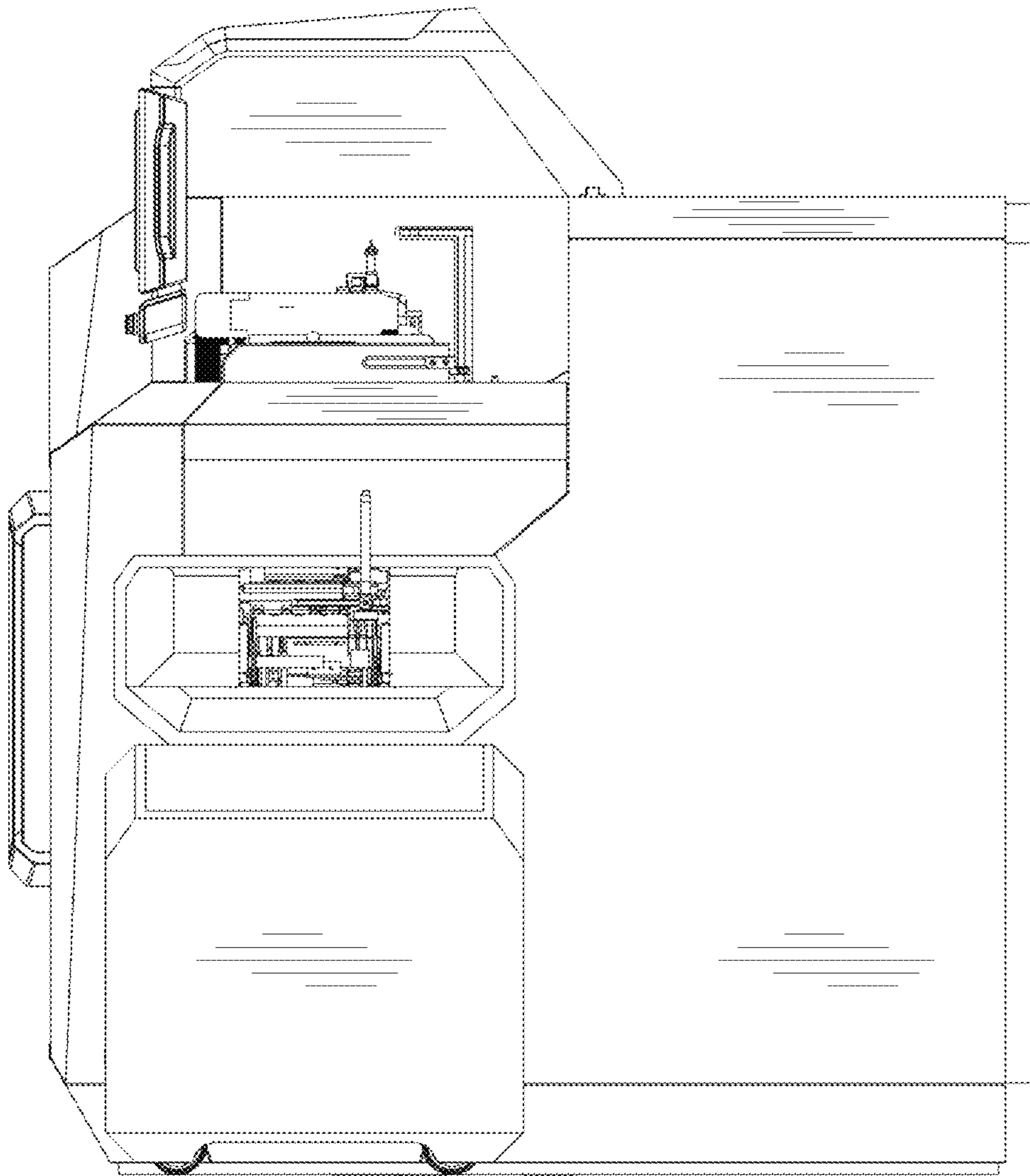


FIG. 6

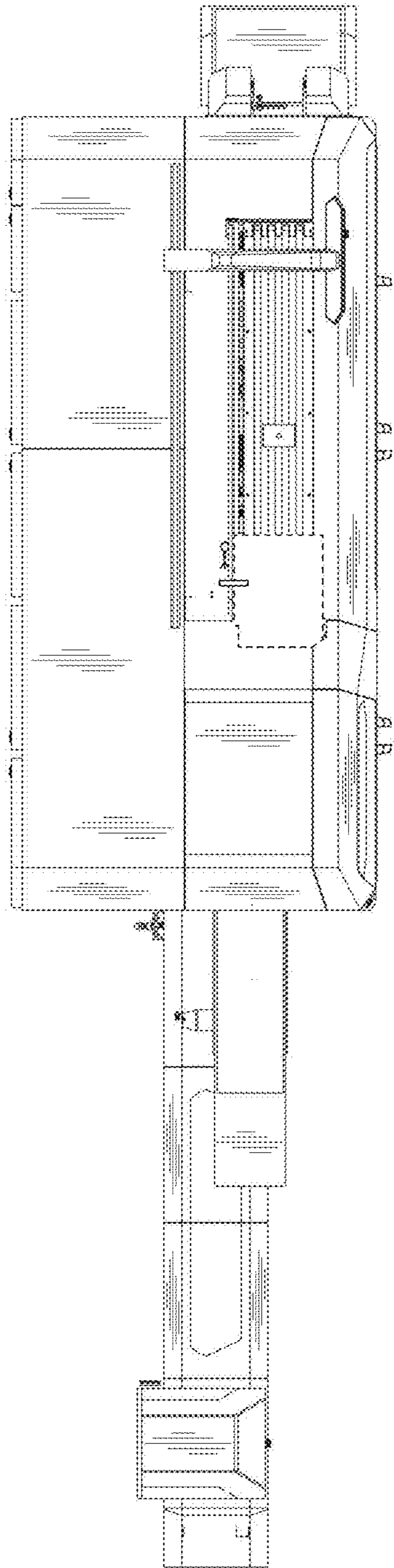


FIG. 7

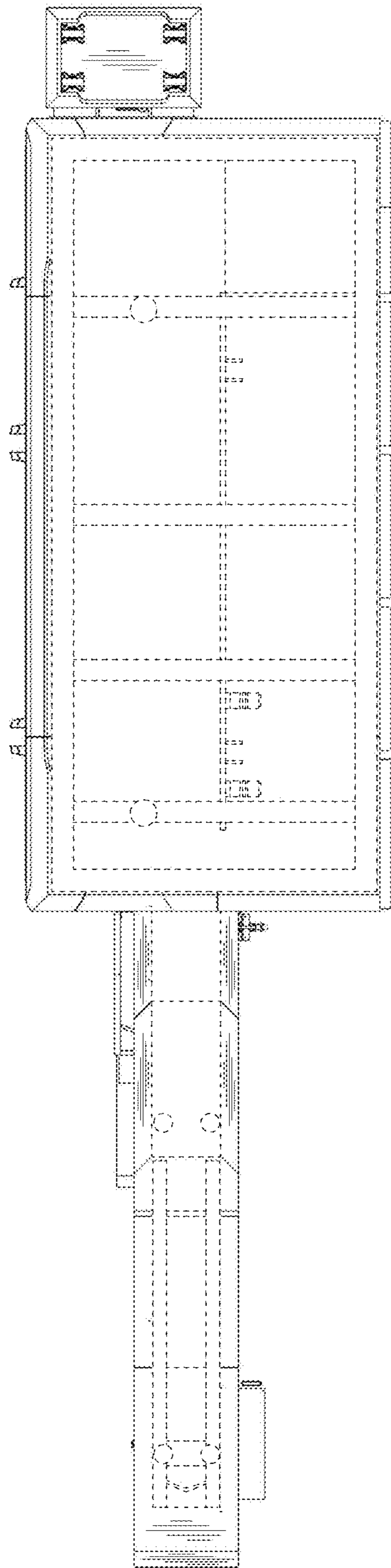


FIG. 8