



US00D939598S

(12) **United States Design Patent** (10) **Patent No.:** **US D939,598 S**
Ishibashi et al. (45) **Date of Patent:** **** Dec. 28, 2021**

(54) **MACHINING TOOL**
(71) Applicant: **CANON DENSHI KABUSHIKI KAISHA**, Saitama (JP)
(72) Inventors: **Masaaki Ishibashi**, Hino (JP);
Masahiro Kando, Tokyo (JP);
Takahiro Koyama, Tokyo (JP)

D337,569 S 7/1993 Kando
D689,865 S * 9/2013 Kitamura D14/422
D689,866 S * 9/2013 Anzai D14/422
D794,640 S * 8/2017 Shigeno D14/422
D845,951 S * 4/2019 Shigeno D14/422
D854,059 S * 7/2019 Lerea D15/127
D858,590 S * 9/2019 Kazaoka D15/122
D869,267 S * 12/2019 Ju D8/499
D911,990 S * 3/2021 Wu D13/184

(73) Assignee: **Canon Denshi Kabushiki Kaisha**, Saitama (JP)

FOREIGN PATENT DOCUMENTS

JP 201719040 A 1/2017

(**) Term: **15 Years**

OTHER PUBLICATIONS

(21) Appl. No.: **29/710,422**

RCD File Information 005272440-0001, Hangzhou Weibin Technology Co., Ltd., Community Design, May 18, 2018.

(22) Filed: **Oct. 23, 2019**

* cited by examiner

(30) **Foreign Application Priority Data**

Apr. 24, 2019 (JP) 2019-009178

(51) **LOC (13) Cl.** **15-09**

(52) **U.S. Cl.**
USPC **D15/122**

(58) **Field of Classification Search**
USPC D12/300, 317; D15/4, 5, 9, 122, 124,
D15/127-131, 139-141, 144; D23/206,
D23/213, 214, 233-235, 245, 249, 257,
D23/259, 260, 270; D8/499; D13/184
CPC B23B 29/125; B23B 27/22; B23Q 5/22;
B23Q 2230/004; Y10T 82/25; Y10T
82/2502
See application file for complete search history.

Primary Examiner — Michael C Stout
Assistant Examiner — Fritzgerald L Butac
(74) *Attorney, Agent, or Firm* — Venable LLP

(57) **CLAIM**

The ornamental design for a machining tool, as shown and described.

DESCRIPTION

FIG. 1 is a perspective view of a machining tool;
FIG. 2 is a front view thereof;
FIG. 3 is a rear view thereof;
FIG. 4 is a top view thereof;
FIG. 5 is a bottom view thereof;
FIG. 6 is a right side view thereof; and,
FIG. 7 is a left side view thereof.
The broken lines in the drawings illustrate portions of the machining tool that form no part of the claimed design.

(56) **References Cited**

U.S. PATENT DOCUMENTS

D274,817 S * 7/1984 Jenkins D15/127
D289,525 S * 4/1987 Nielsen D15/127
D292,100 S * 9/1987 Goldsmith D15/127

1 Claim, 7 Drawing Sheets

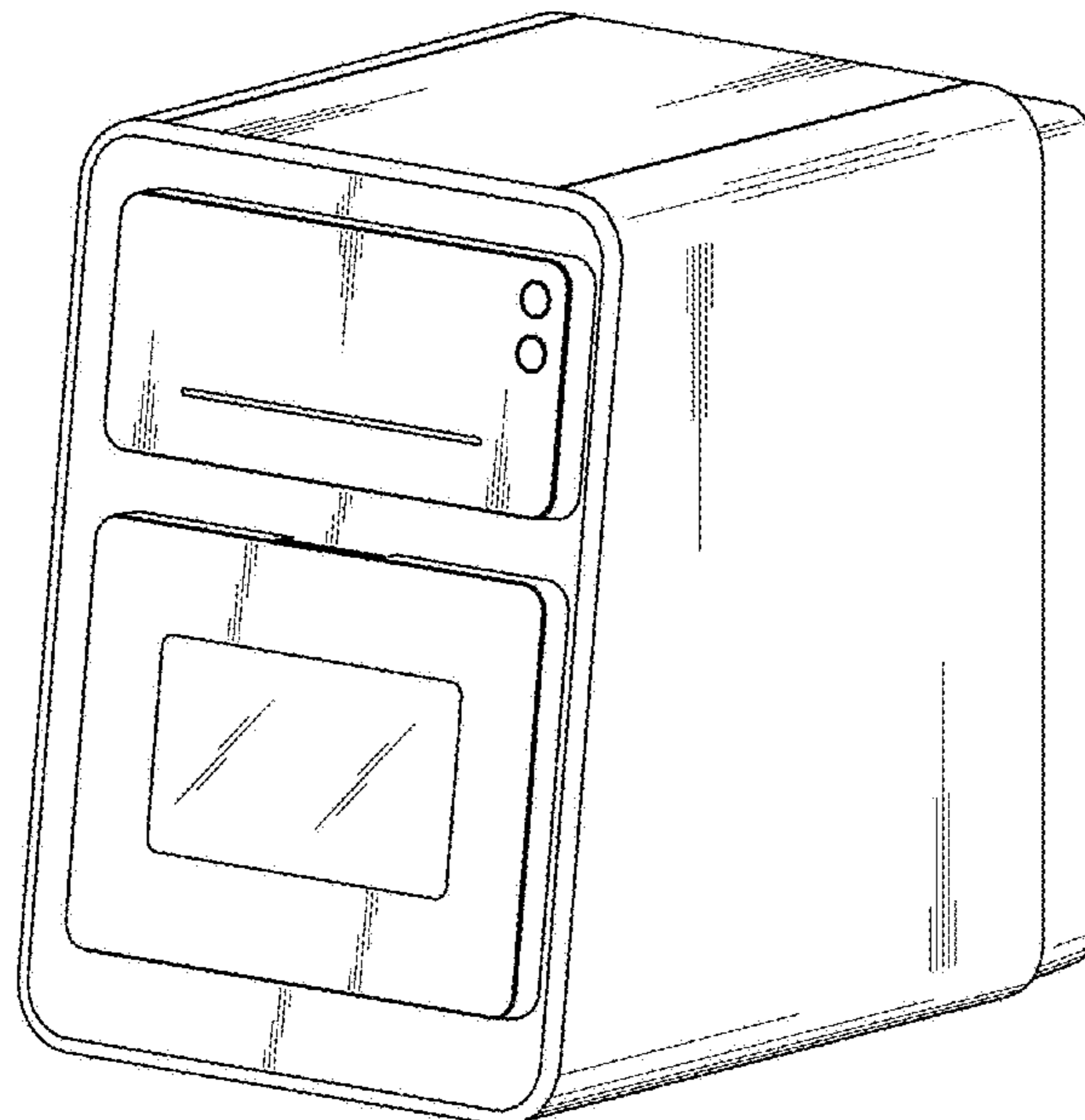


FIG. 1

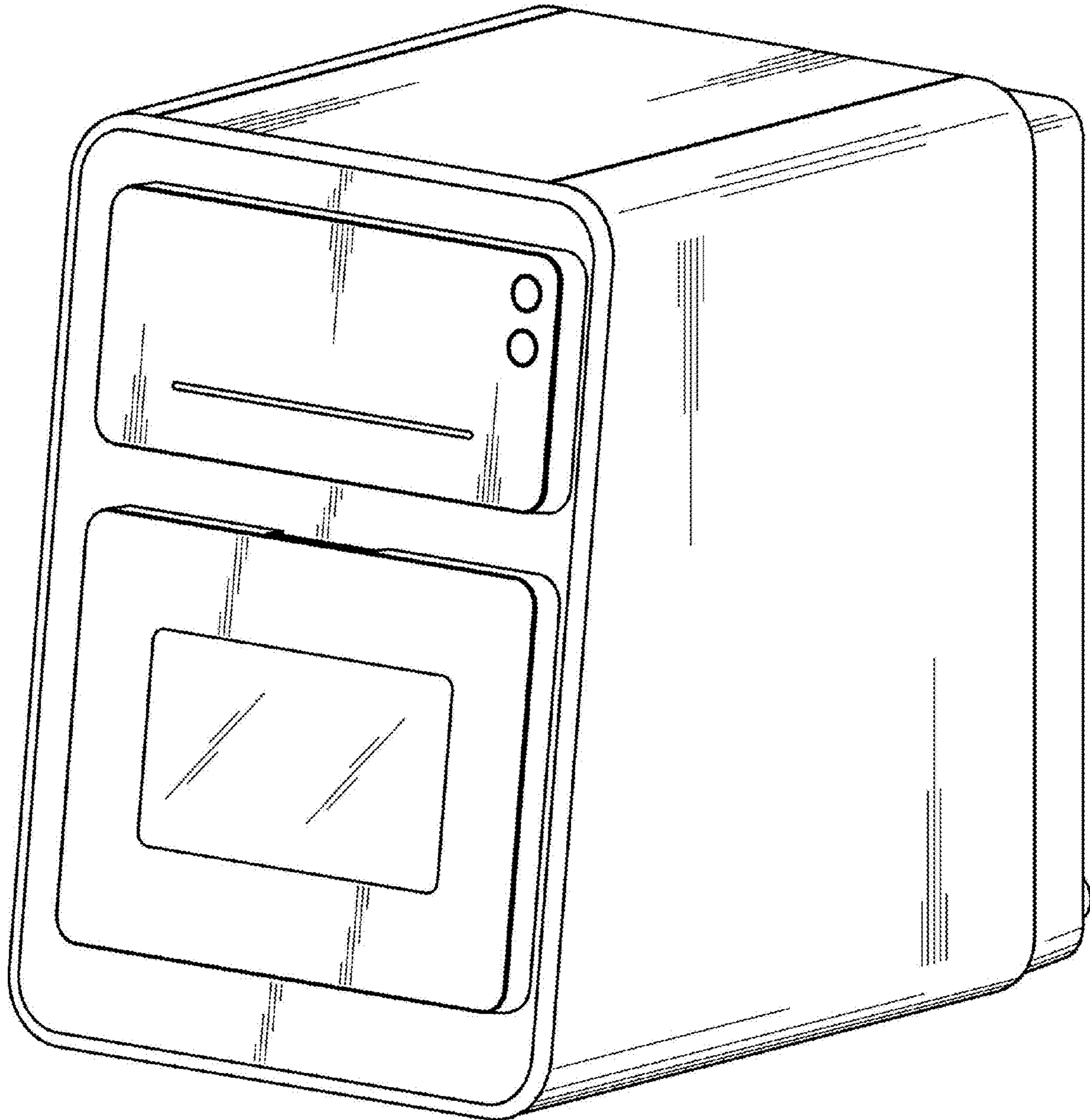


FIG. 2

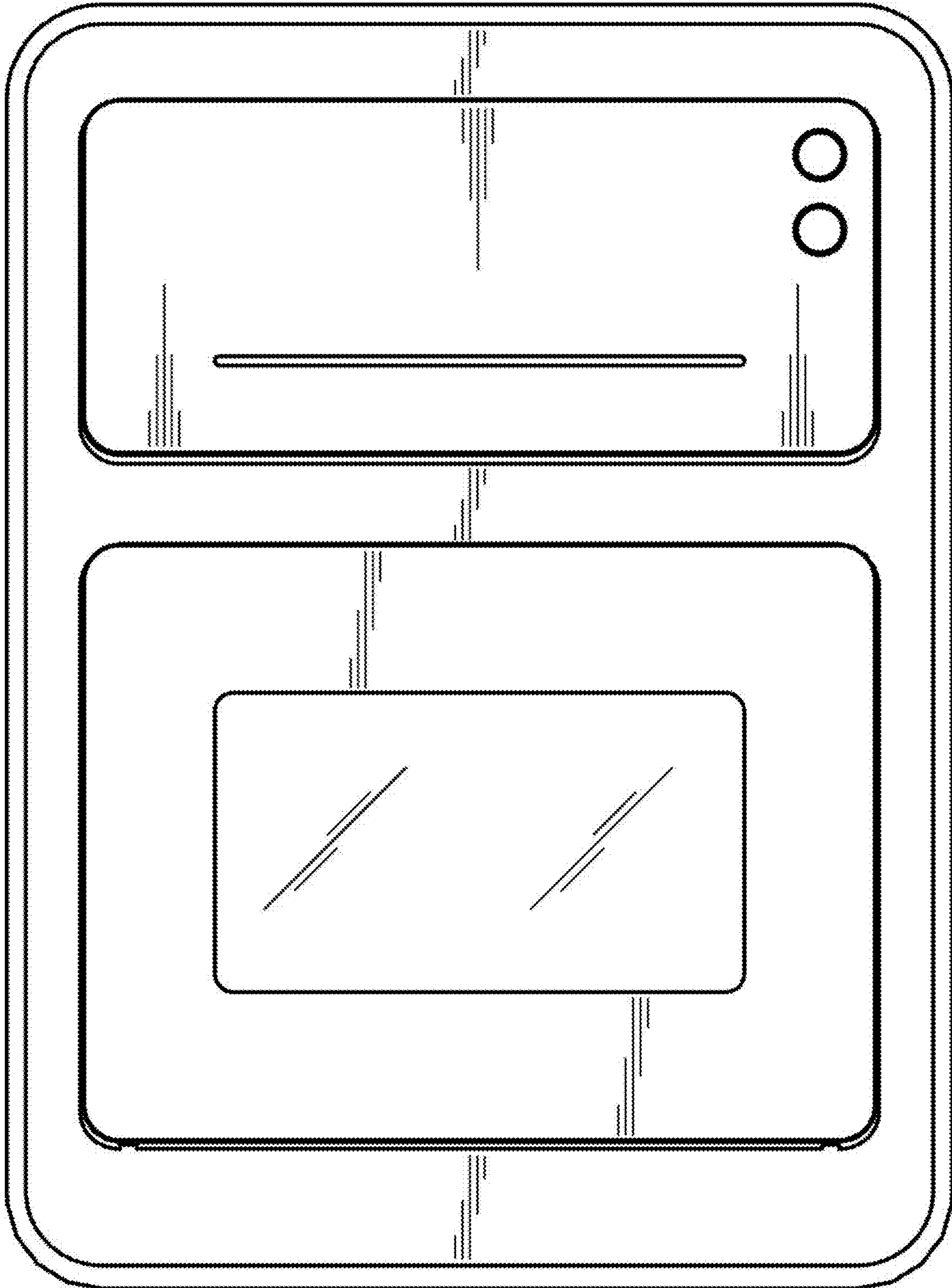


FIG. 3

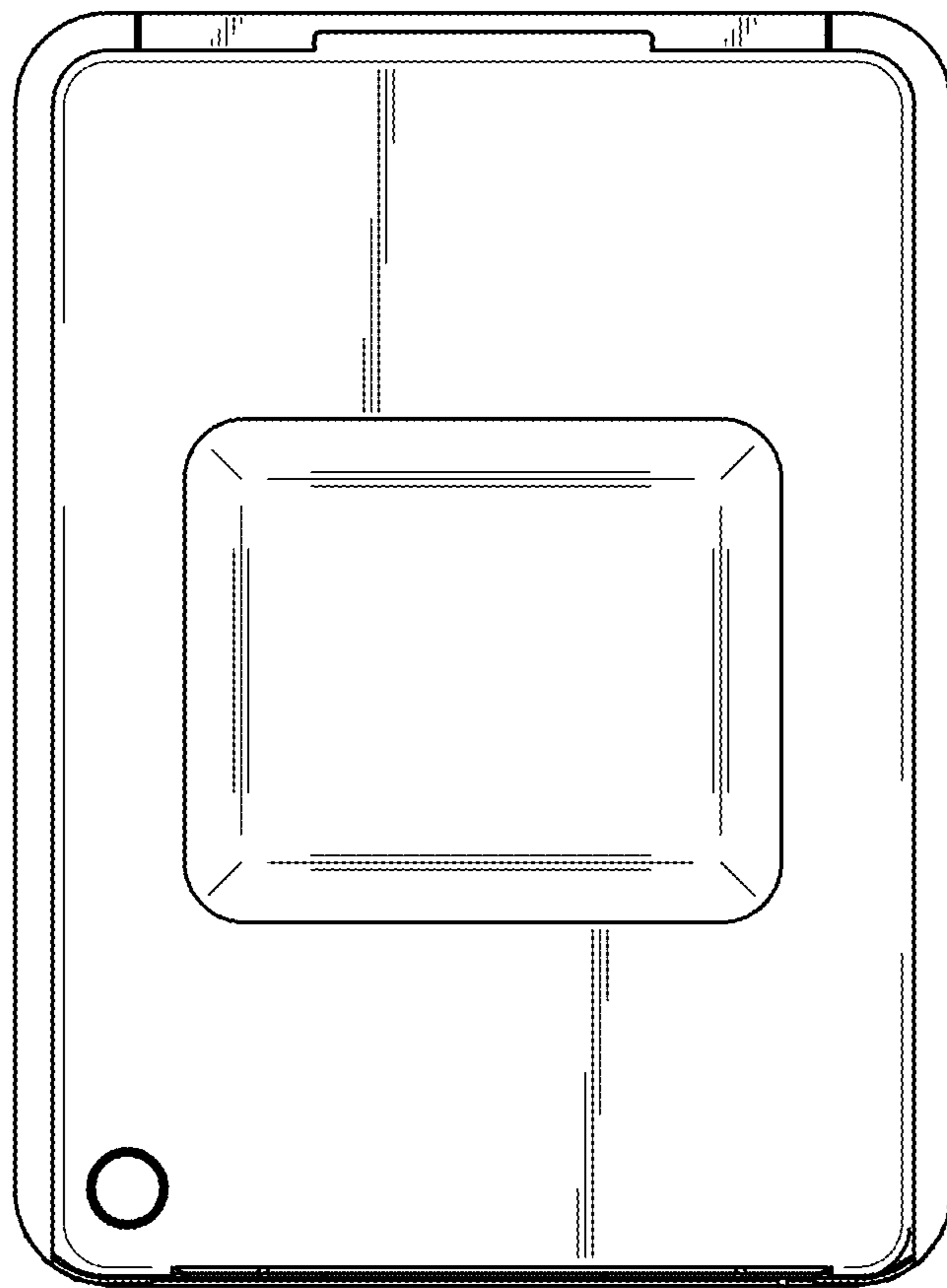


FIG. 4

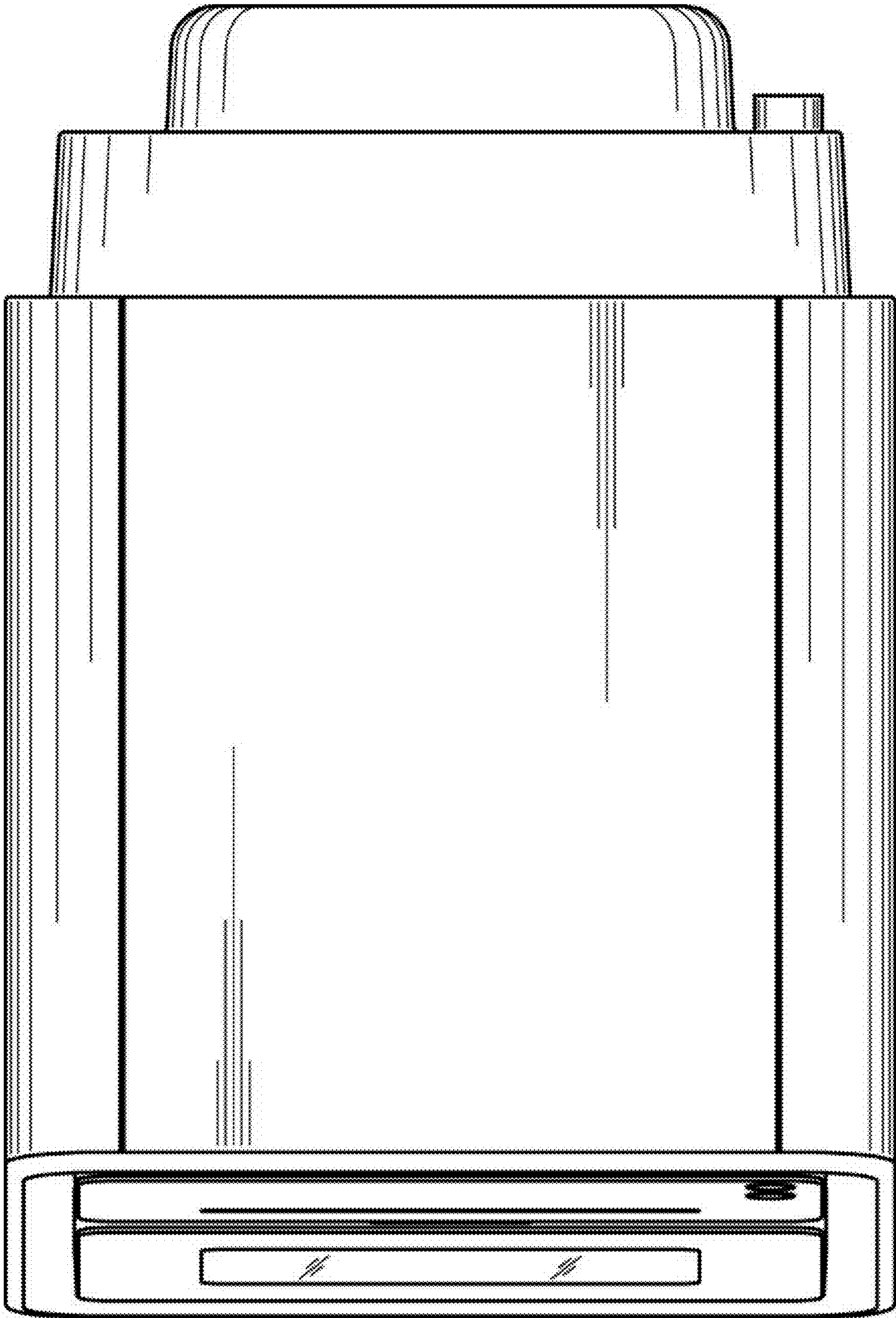


FIG. 5

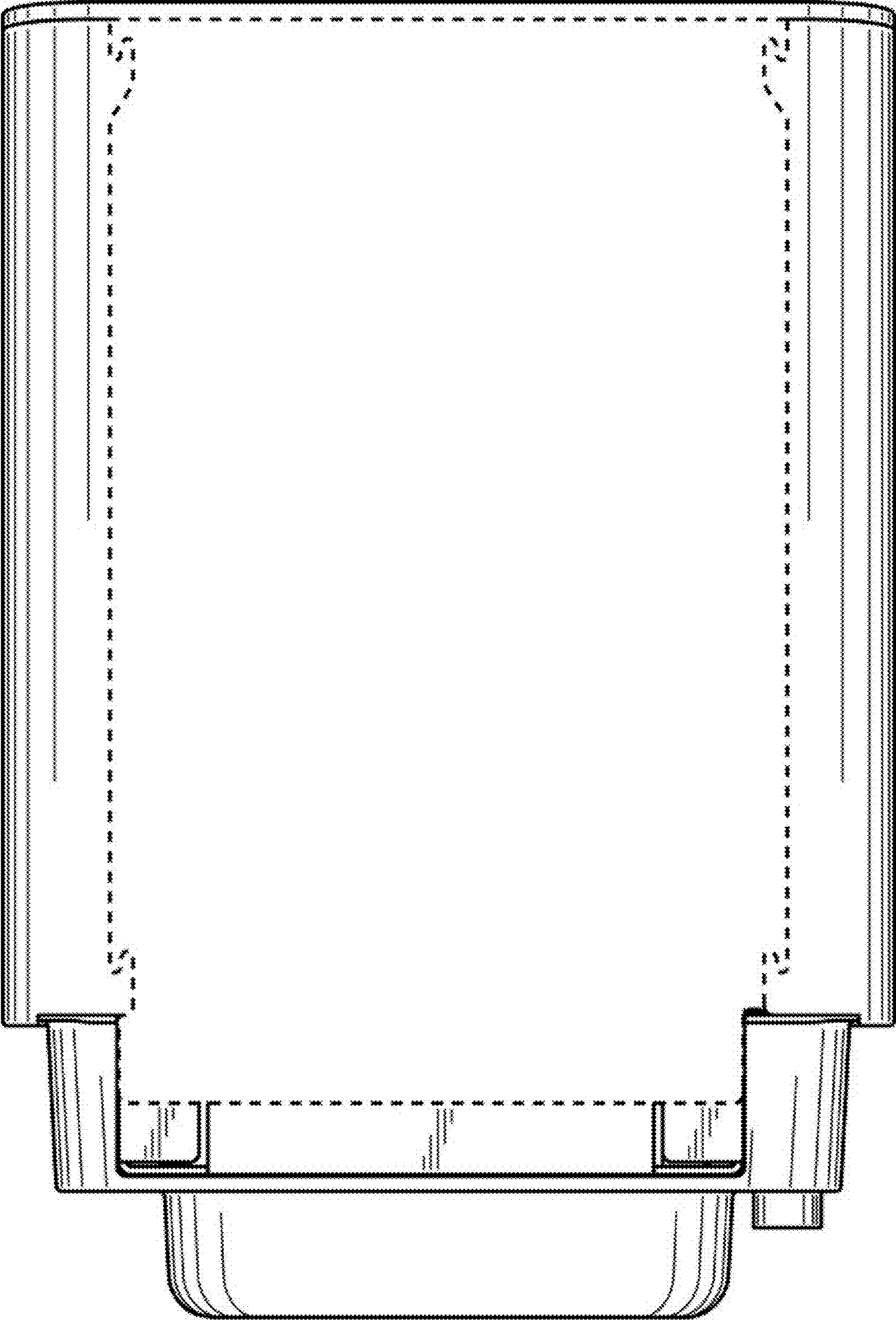


FIG. 6

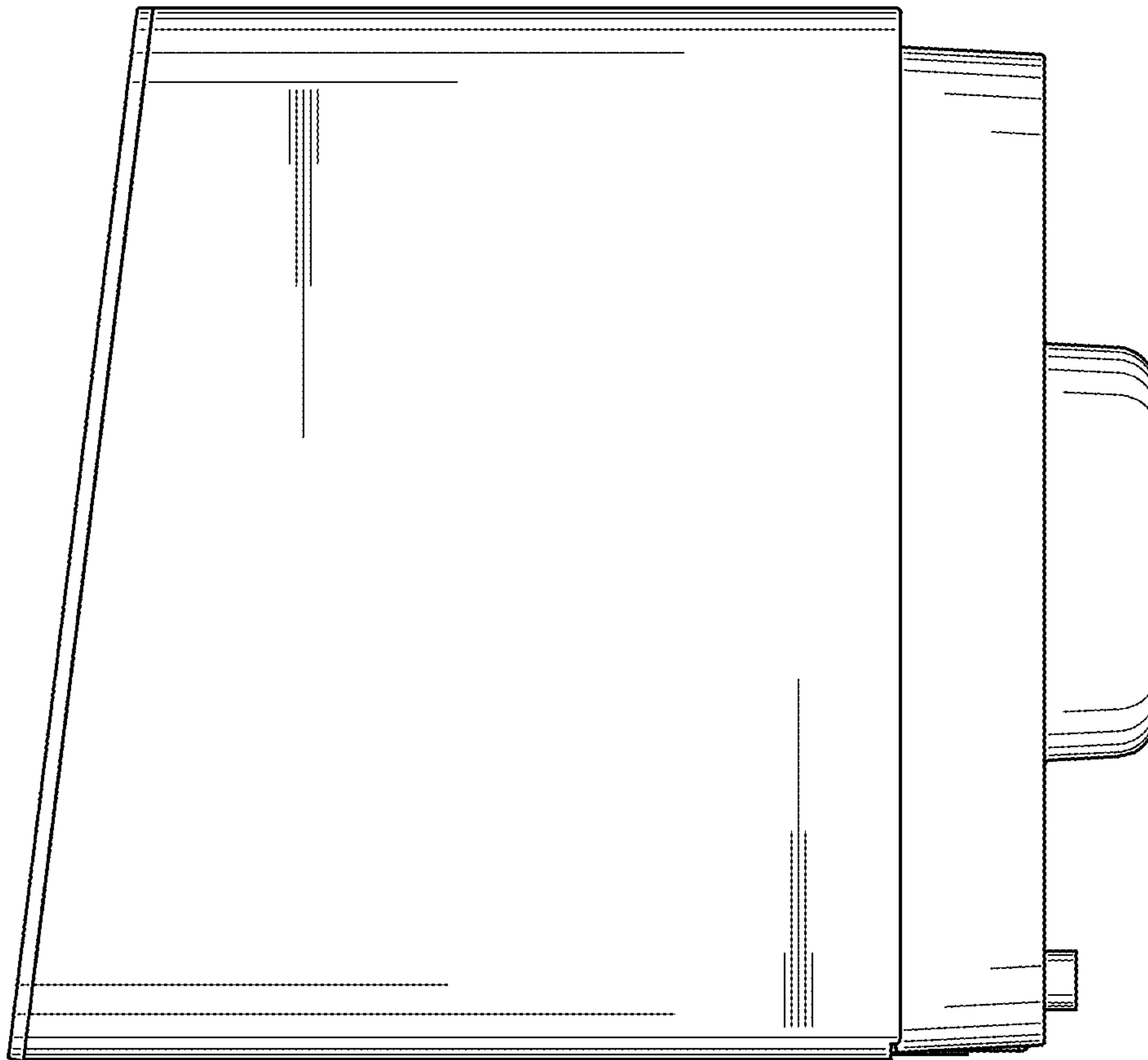


FIG. 7

