



US00D939594S

(12) **United States Design Patent**
Chen et al.

(10) **Patent No.:** **US D939,594 S**

(45) **Date of Patent:** **** Dec. 28, 2021**

(54) **FREEZER**

(71) Applicant: **Suzhou Seitek Cooling System Co., Ltd.**, Jiangsu (CN)

(72) Inventors: **Wei Chen**, Jiangsu (CN); **Jian Gu**, Jiangsu (CN)

(**) Term: **15 Years**

(21) Appl. No.: **29/707,569**

(22) Filed: **Sep. 30, 2019**

(30) **Foreign Application Priority Data**

Jul. 8, 2019 (CN) 201930358707.3

(51) **LOC (13) Cl.** **15-07**

(52) **U.S. Cl.**
USPC **D15/81**

(58) **Field of Classification Search**

USPC D15/79-91
CPC .. F25B 21/02; F25B 1/08; F25B 21/04; F25B 2339/046; F25B 2339/047; F25B 2341/00; F25B 2341/0011; F25B 2341/0012; F25B 2341/0013; F25B 2341/0014; F25B 2600/023; F25B 2600/027; F25B 39/04; F25B 49/02; F25B 49/022

See application file for complete search history.

(56) **References Cited**

U.S. PATENT DOCUMENTS

D802,028 S * 11/2017 Li D15/81
D802,029 S * 11/2017 Li D15/81

D887,788 S * 6/2020 Meda D7/605
D888,503 S * 6/2020 Meda D7/605
D929,471 S * 8/2021 Meda D15/79
2010/0251730 A1 * 10/2010 Whillock, Sr. F25D 11/003
62/3.63
2016/0187046 A1 * 6/2016 Chen A45C 11/20
62/239
2017/0023290 A1 * 1/2017 Demuth F25D 25/022
2018/0141718 A1 * 5/2018 Ahlstrom B65D 25/2841
2020/0062454 A1 * 2/2020 Duong B65D 25/2841
2020/0217571 A1 * 7/2020 Guan F25D 11/02
2020/0217575 A1 * 7/2020 Thelin F25D 29/003
2020/0217576 A1 * 7/2020 Guan F25D 3/08
2020/0217578 A1 * 7/2020 Wang F25D 23/003

* cited by examiner

Primary Examiner — Khawaja Anwar

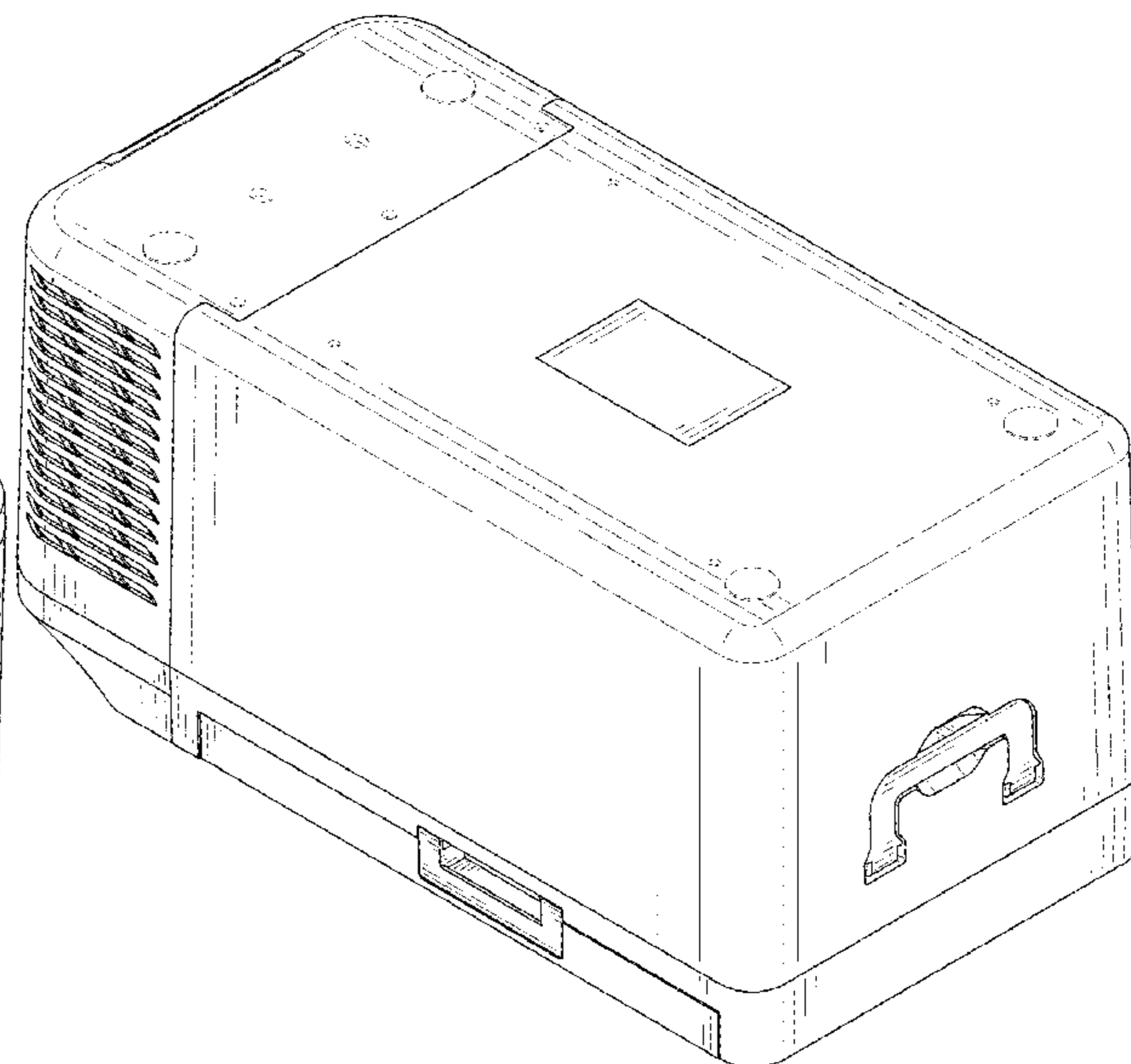
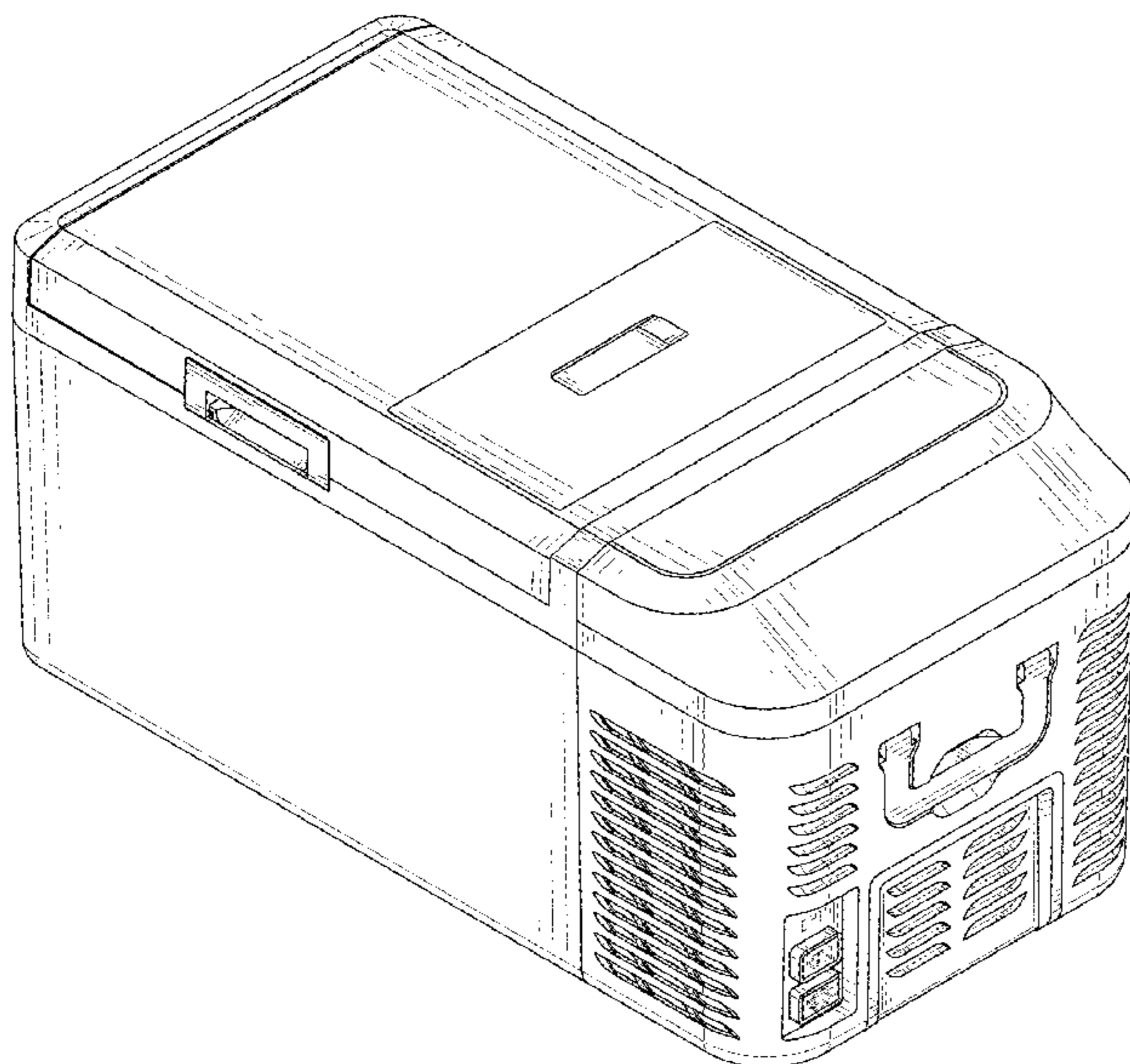
(57) **CLAIM**

The ornamental design for a freezer, as shown and described.

DESCRIPTION

FIG. 1 is a front and top perspective view of a freezer, showing my new design;
FIG. 2 is a rear and bottom perspective view thereof;
FIG. 3 is a front elevational view thereof;
FIG. 4 is a rear elevational view thereof;
FIG. 5 is a left side elevational view thereof;
FIG. 6 is a right side elevational view thereof;
FIG. 7 is a top plan view thereof;
FIG. 8 is a bottom plan view thereof; and,
FIG. 9 is an enlarged, view of a portion indicated in FIG. 8. The broken lines in the figures illustrate portions of the freezer that form no part of the claimed design.

1 Claim, 9 Drawing Sheets



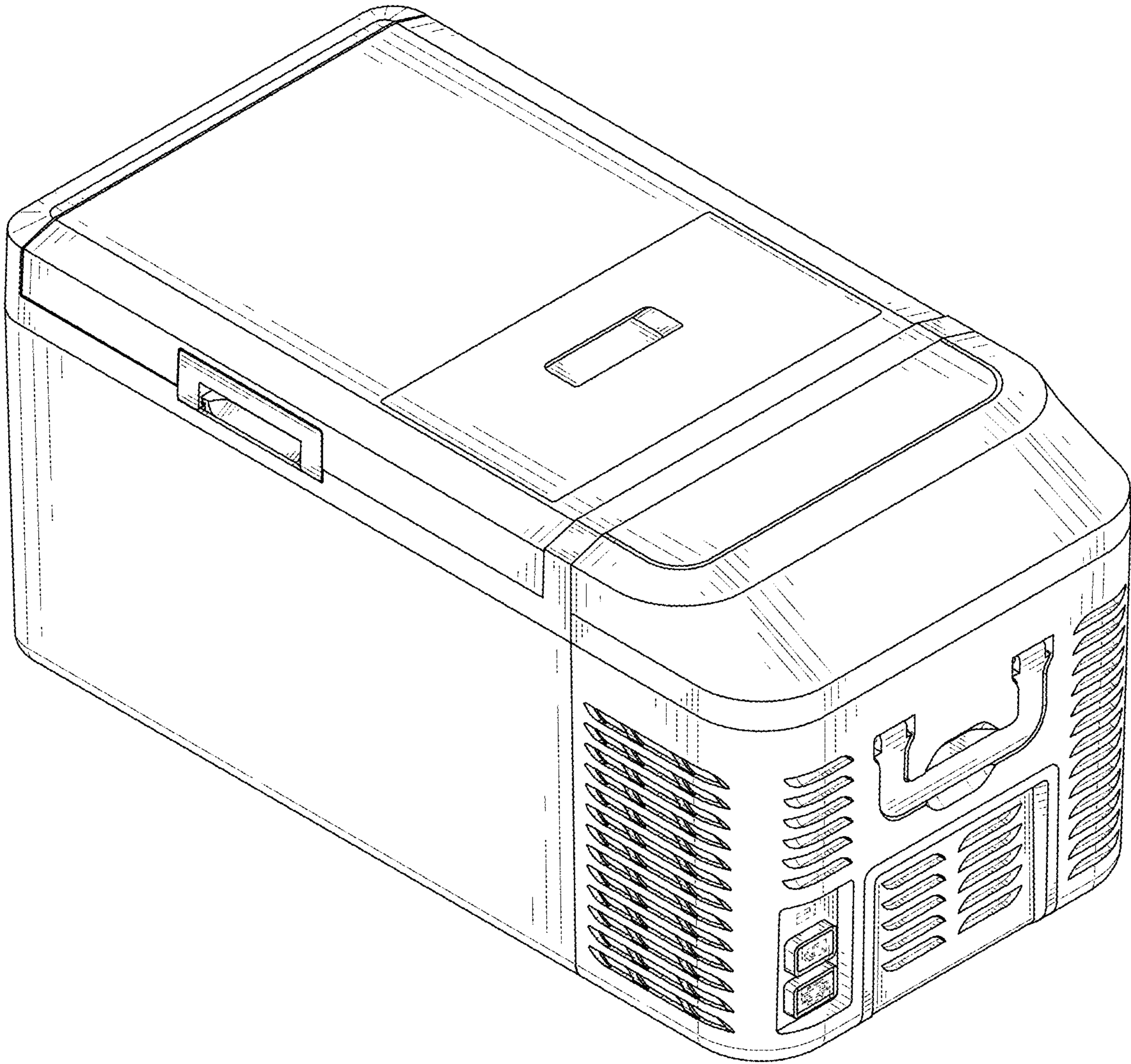


FIG. 1

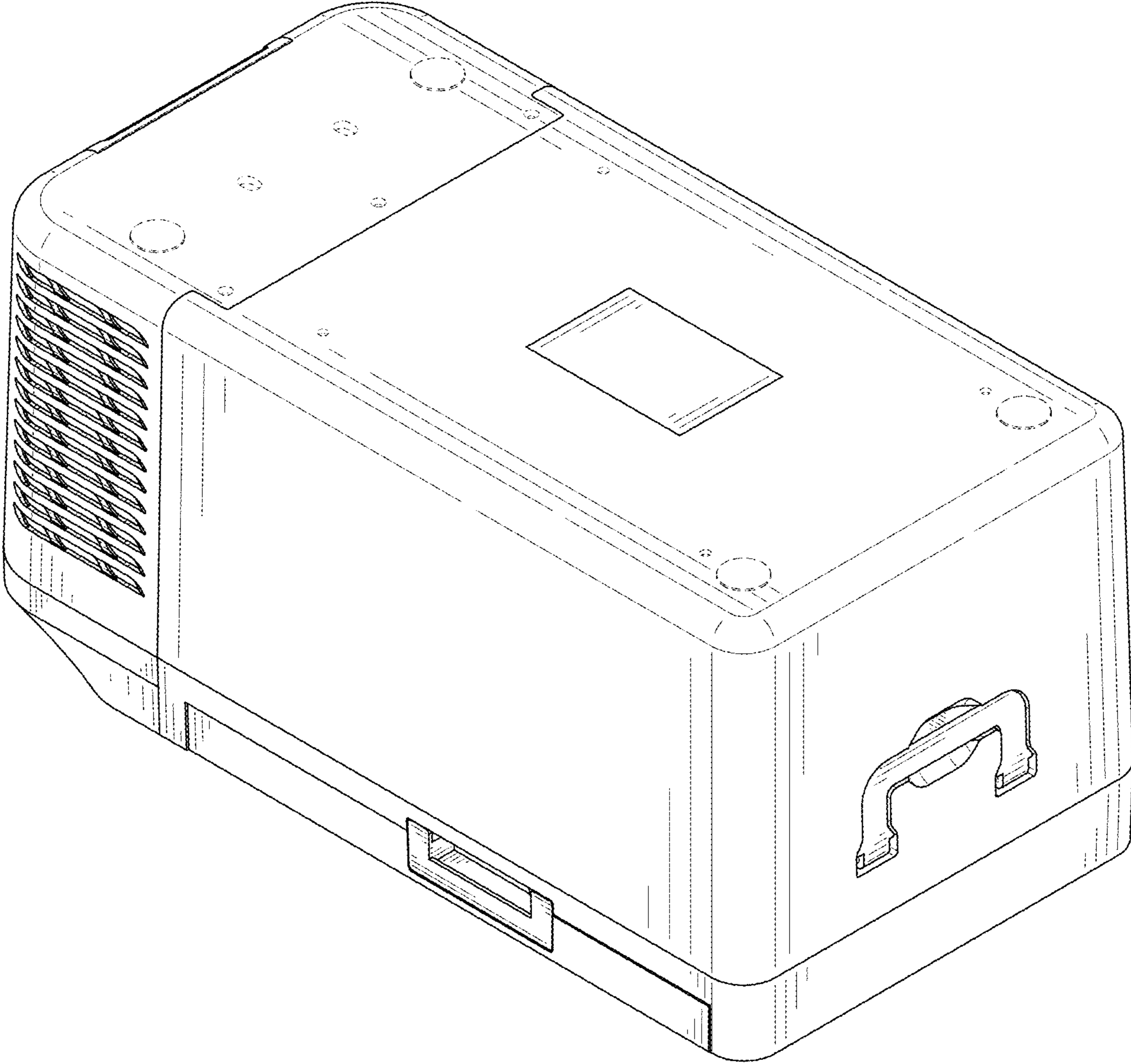


FIG. 2

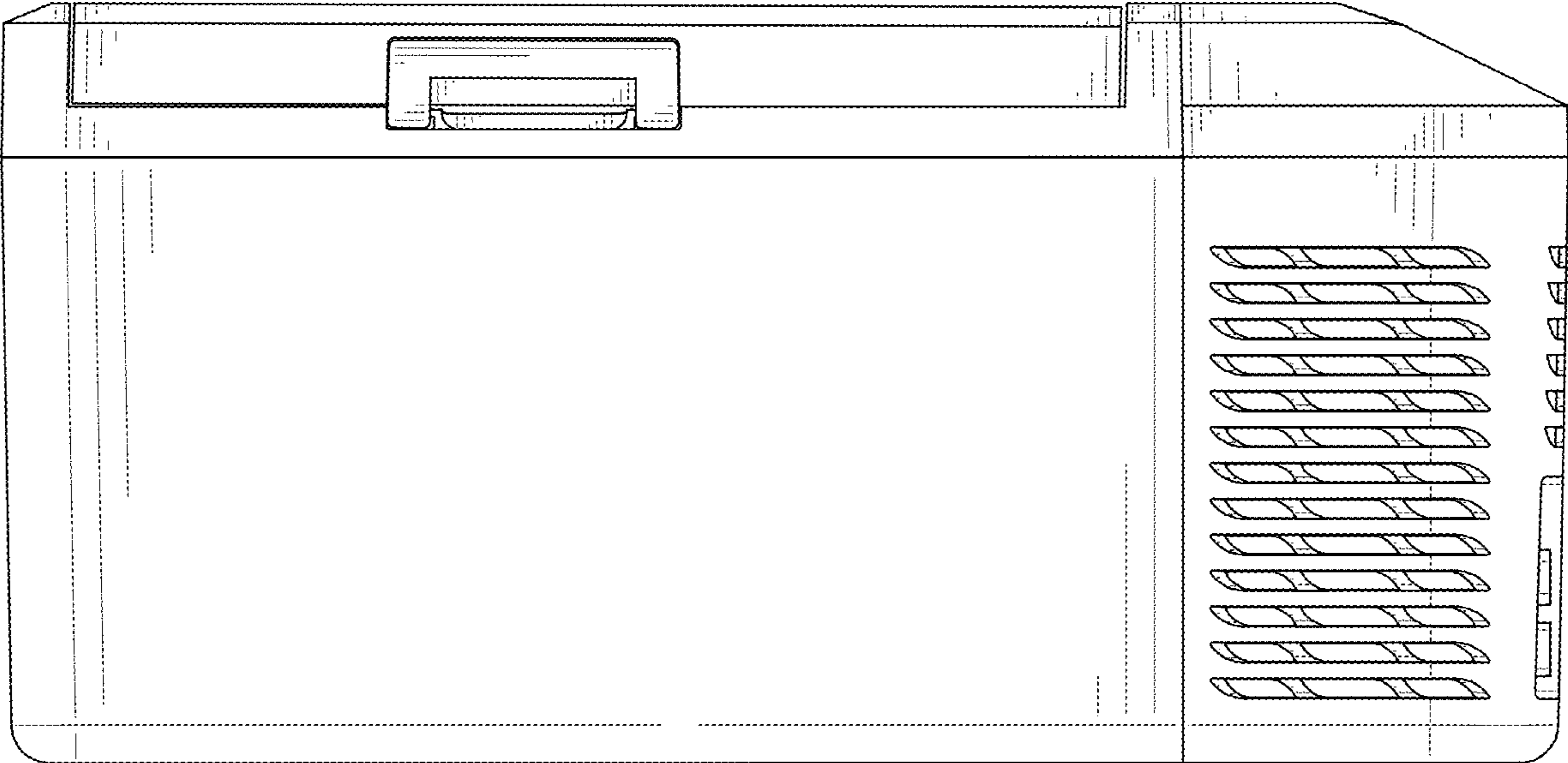


FIG. 3

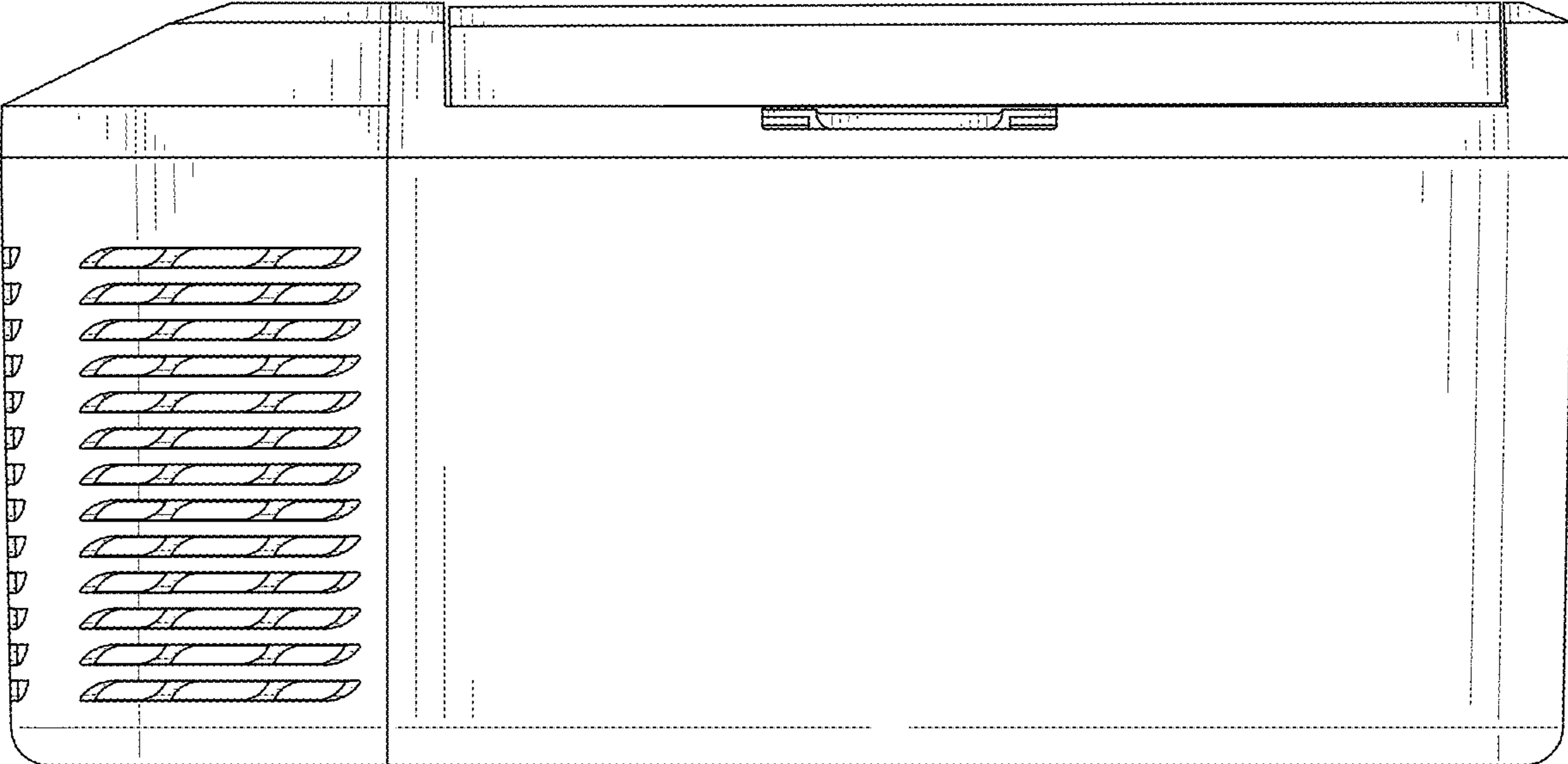


FIG. 4

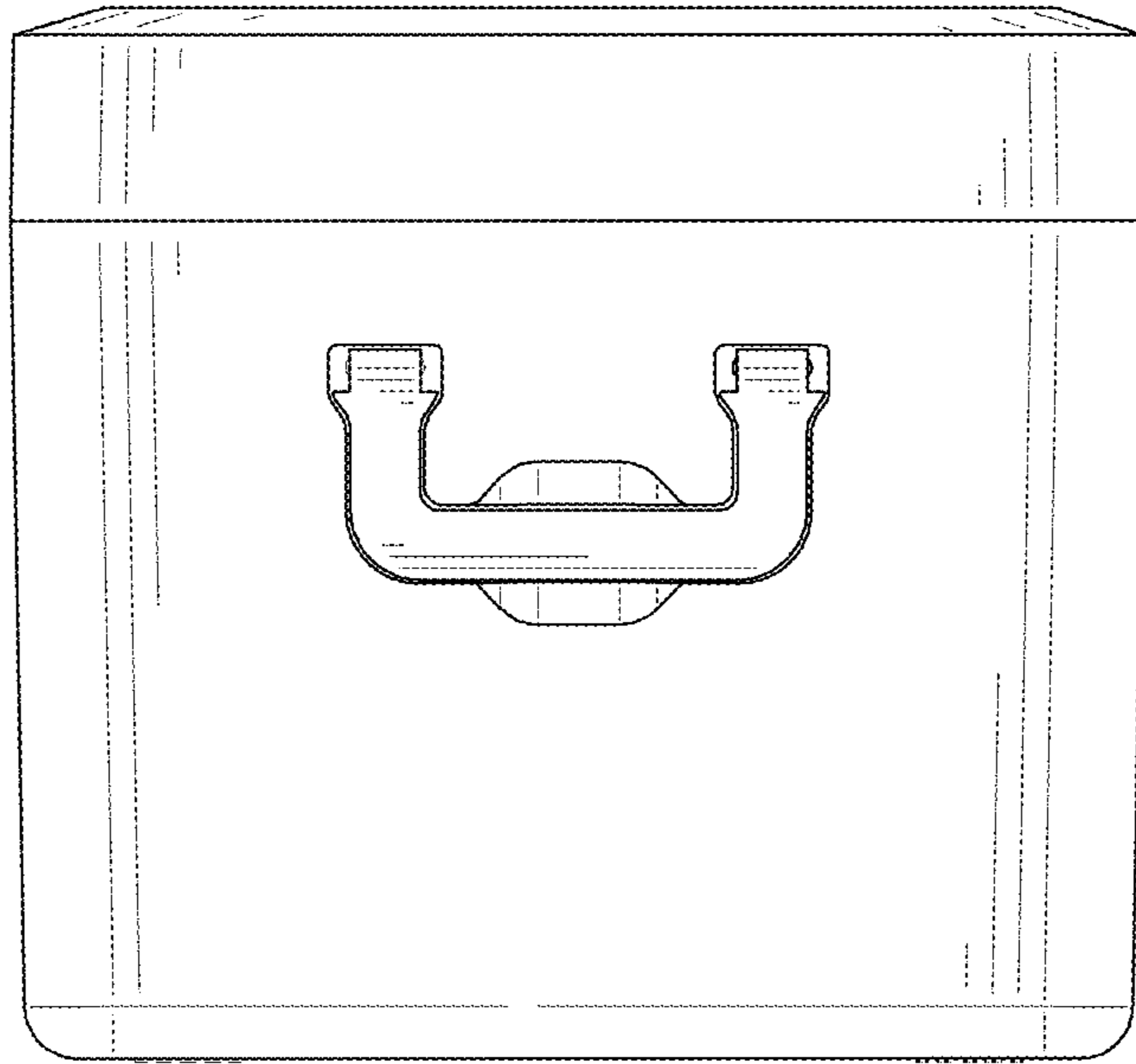


FIG. 5

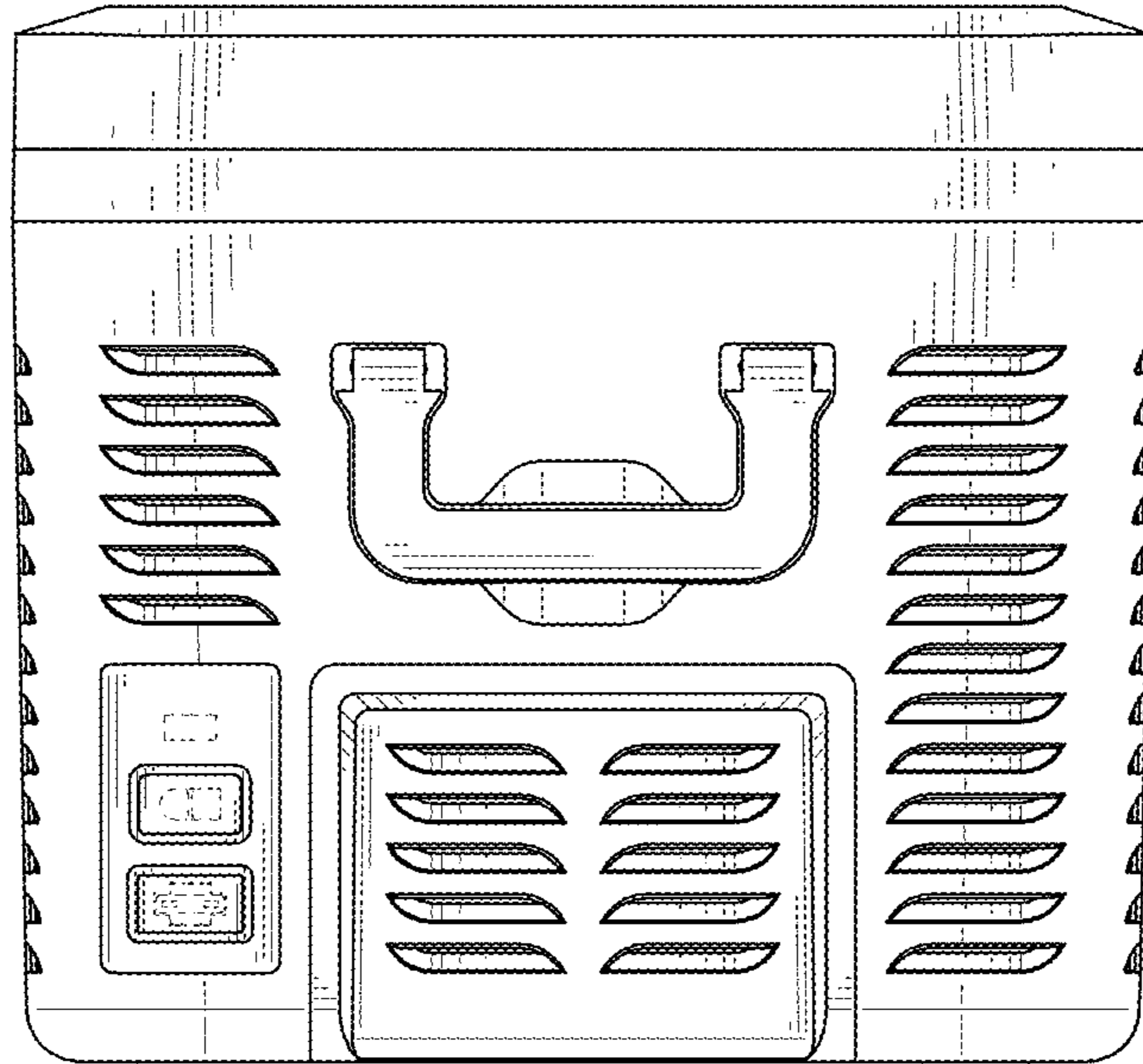


FIG. 6

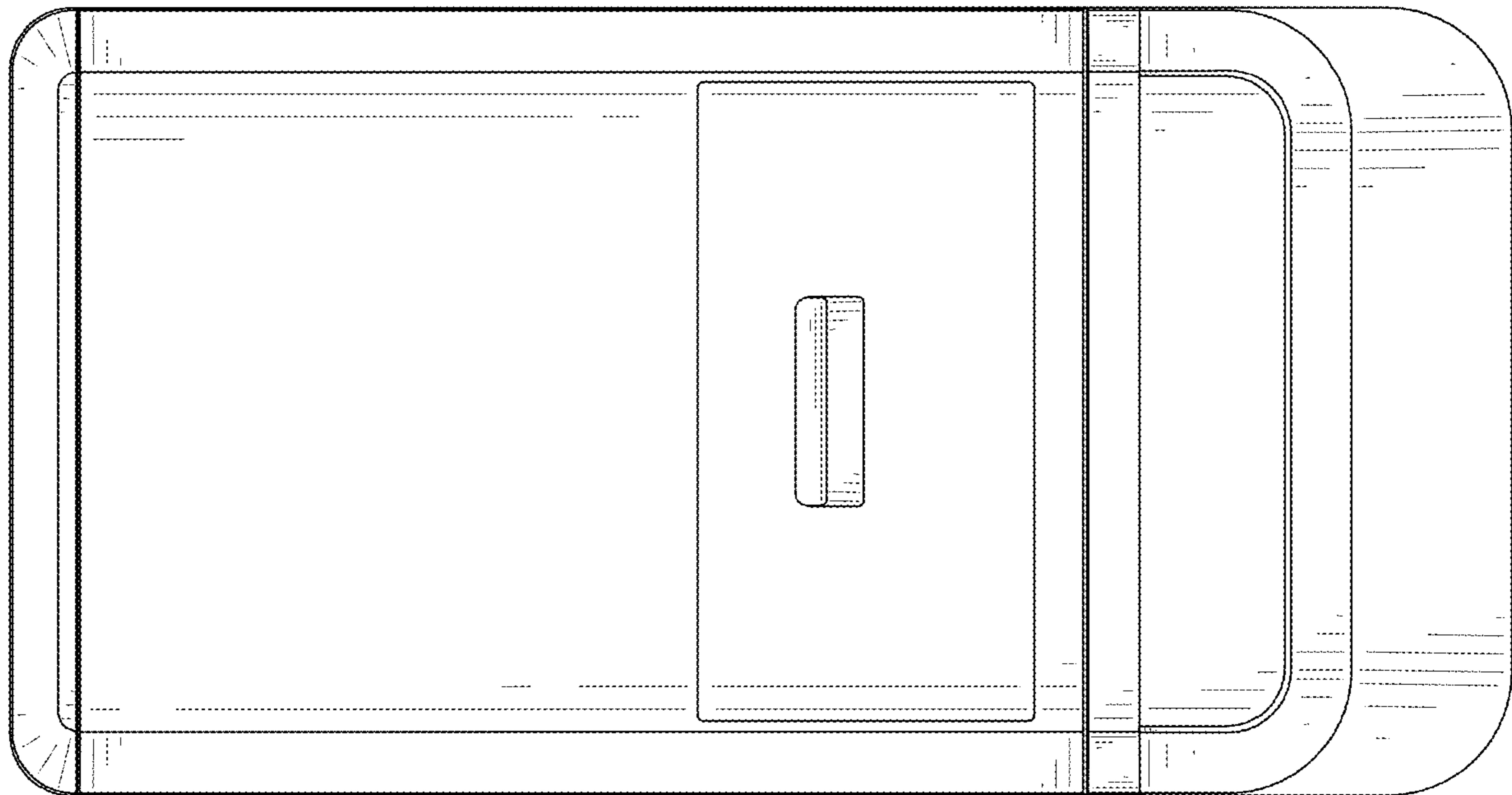


FIG. 7

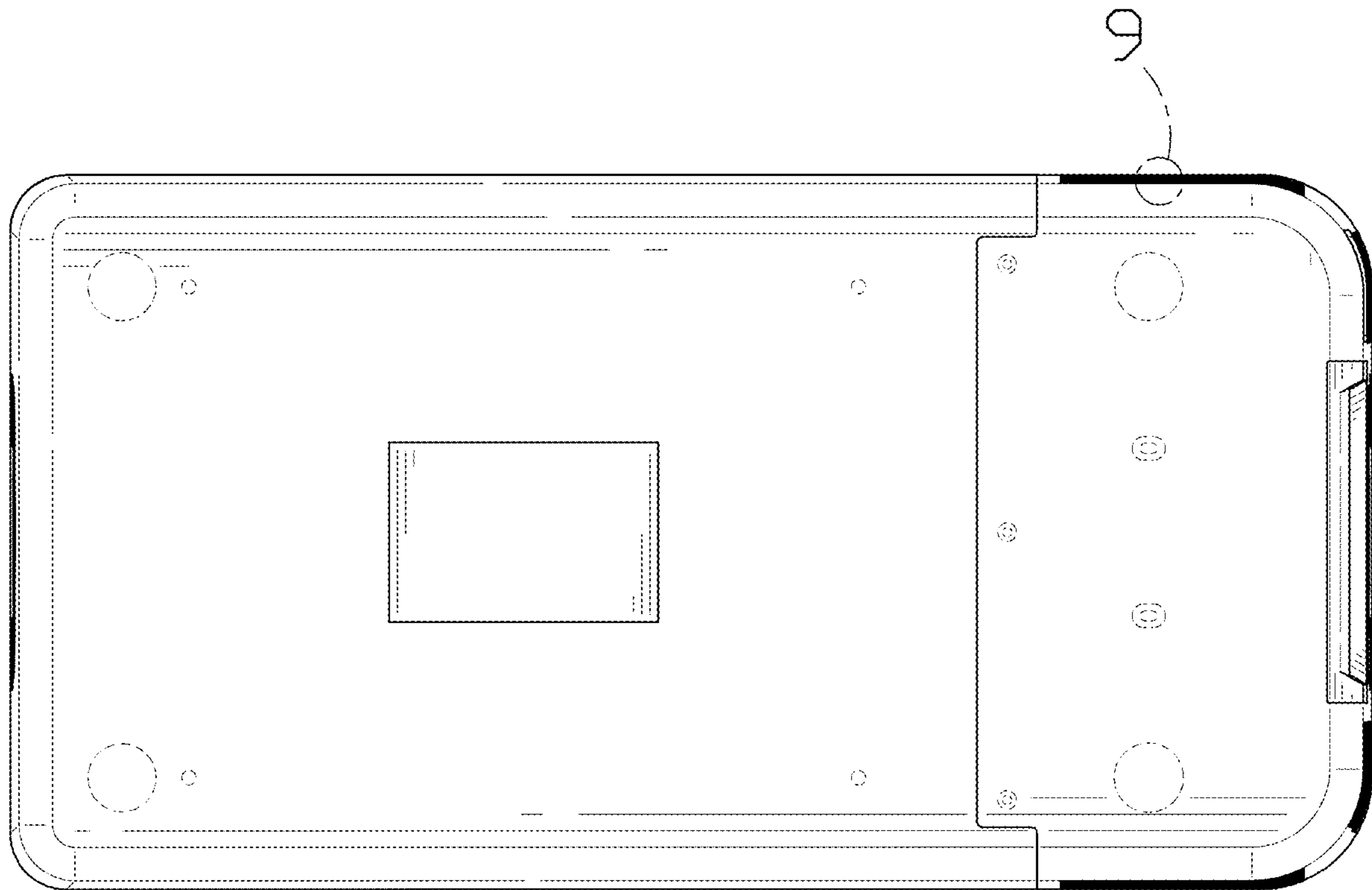


FIG. 8

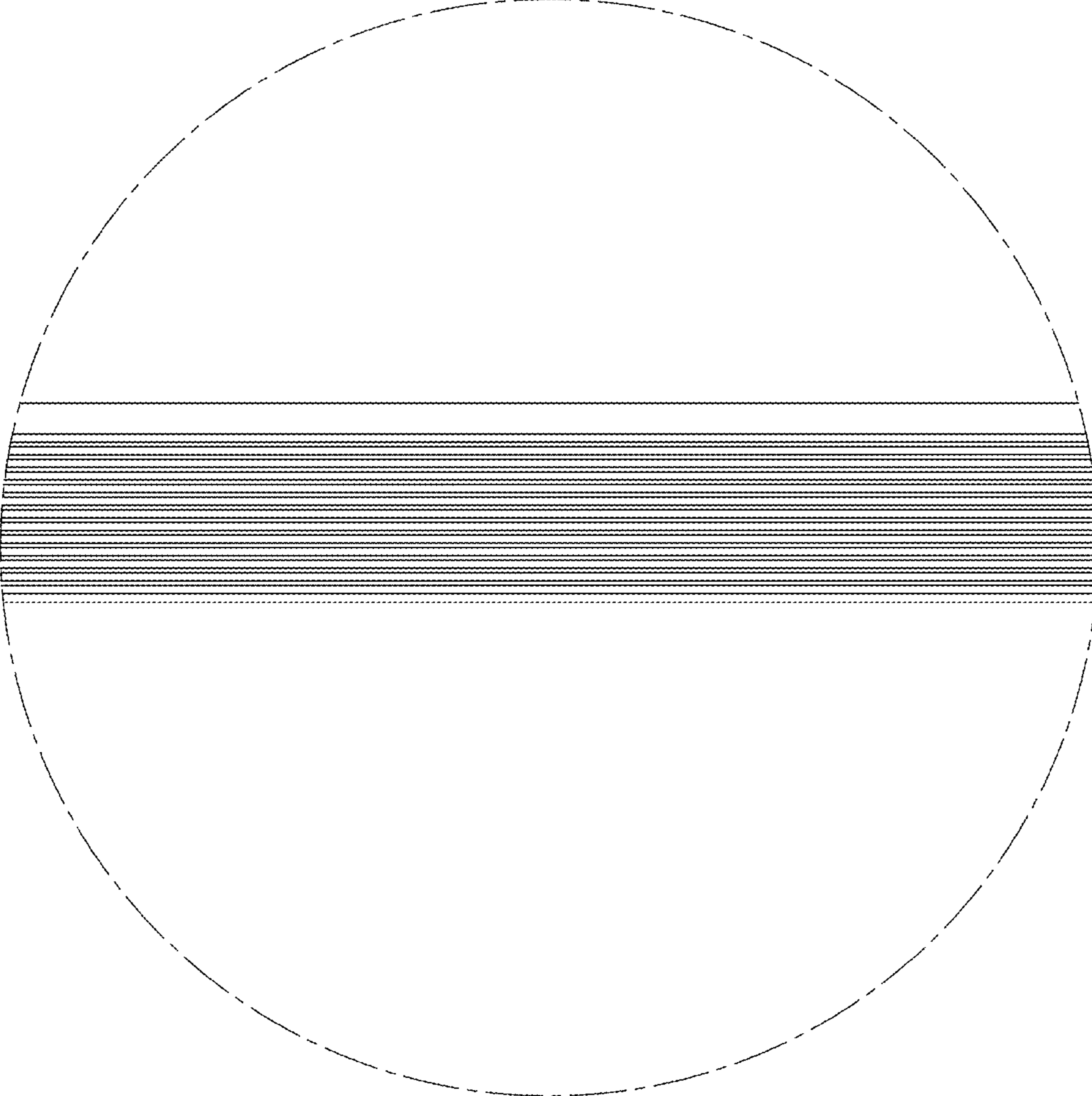


FIG. 9