



US00D939593S

(12) **United States Design Patent**  
**Price et al.**

(10) **Patent No.:** **US D939,593 S**  
(45) **Date of Patent:** **\*\* Dec. 28, 2021**

- (54) **EXCAVATOR**
- (71) Applicant: **J.C. BAMFORD EXCAVATORS LIMITED**, Uttoxeter (GB)
- (72) Inventors: **David Price**, Uttoxeter (GB);  
**Christopher Streat**, Uttoxeter (GB)
- (73) Assignee: **J.C. BAMFORD EXCAVATORS LIMITED**, Uttoxeter (GB)
- (\*\*) Term: **15 Years**
- (21) Appl. No.: **29/716,881**
- (22) Filed: **Dec. 12, 2019**
- (51) **LOC (13) Cl.** ..... **15-03**
- (52) **U.S. Cl.**  
USPC ..... **D15/33; D15/22**
- (58) **Field of Classification Search**  
USPC ..... D15/10, 22-26, 28, 30, 33; 180/89.1,  
180/89.12, 89.13, 900, 9.1, 9.2, 9.62;  
37/379; 414/694, 699, 722-724, 660,  
414/685, 698, 719, 743  
CPC ..... E02F 3/32; E02F 3/76; E02F 3/40; E02F  
3/325; E02F 3/352; E02F 3/384; E02F  
3/425; E02F 3/437; E02F 3/627; E02F  
3/964; E02F 9/163; E02F 9/0858; E02F  
9/0875; E02F 9/2045; E02F 9/006; E02F  
9/0808; E02F 9/0833; E02F 9/2004; E02F  
9/207; E02F 9/2091; E02F 9/2246; E02F  
9/2292; E02F 9/0086; E02F 9/18; F01N  
13/001; F01N 2590/08  
See application file for complete search history.

(56) **References Cited**

**U.S. PATENT DOCUMENTS**

- D474,481 S \* 5/2003 Hara ..... D15/25
- D511,531 S \* 11/2005 Sewell ..... D15/24
- D538,304 S \* 3/2007 Uemura ..... D15/25

- D590,847 S \* 4/2009 Yonekura ..... D15/25
- D607,905 S \* 1/2010 Reisenauer ..... D15/30
- D607,906 S \* 1/2010 Reisenauer ..... D15/33
- D681,066 S \* 4/2013 Saito ..... D15/24
- D681,689 S \* 5/2013 Saito ..... D15/24
- D682,887 S \* 5/2013 Iwata ..... D15/25
- D682,891 S \* 5/2013 Kinoshita ..... D15/25
- D684,600 S \* 6/2013 Saito ..... D15/24
- D687,865 S \* 8/2013 Hatanaka ..... D15/24
- D716,844 S \* 11/2014 Hayami ..... D15/25
- D750,672 S \* 3/2016 Payne ..... D15/25
- D752,112 S \* 3/2016 Hagura ..... D15/24
- D752,113 S \* 3/2016 Hagura ..... D15/24
- D752,651 S \* 3/2016 Hagura ..... D15/24
- D773,537 S \* 12/2016 Fiser ..... D15/30
- D797,160 S \* 9/2017 Yeu ..... D15/30
- D830,422 S \* 10/2018 Colclough ..... D15/24
- D830,423 S \* 10/2018 Colclough ..... D15/25
- D830,424 S \* 10/2018 Colclough ..... D15/25
- D830,425 S \* 10/2018 Colclough ..... D15/25
- D830,426 S \* 10/2018 Colclough ..... D15/25
- D842,344 S \* 3/2019 Okuyama ..... D15/23

(Continued)

*Primary Examiner* — Mark A Goodwin

(74) *Attorney, Agent, or Firm* — Marshall, Gerstein & Borun LLP

(57) **CLAIM**

The ornamental design for an excavator, as shown and described.

**DESCRIPTION**

FIG. 1 is a top, front, and right-side isometric view of an excavator showing the new design.

FIG. 2 is a right-side elevation view of the excavator.

FIG. 3 is a front elevation view of the excavator.

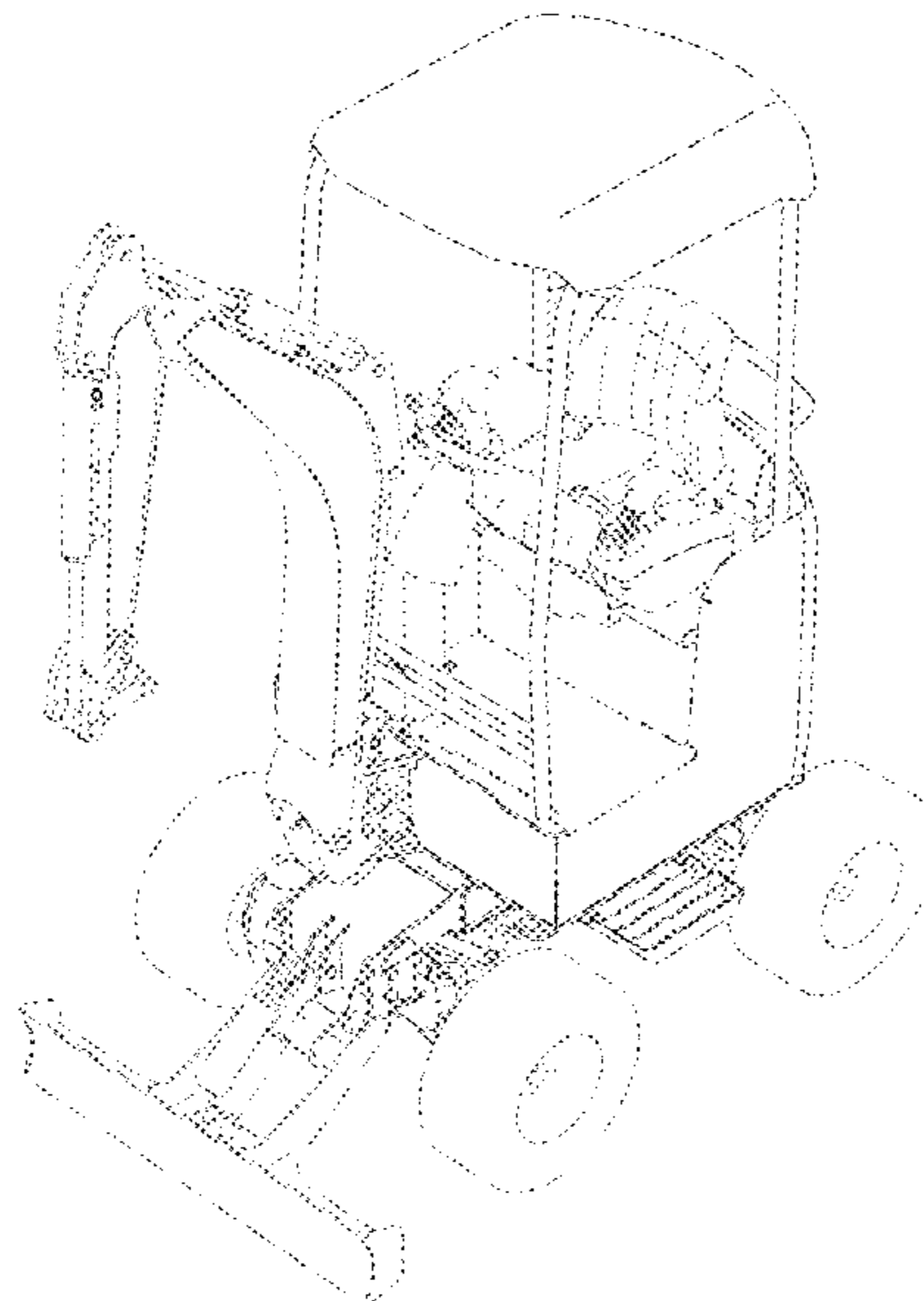
FIG. 4 is a left-side elevation view of the excavator.

FIG. 5 is a rear elevation view of the excavator; and,

FIG. 6 is a top plan view of the excavator.

The broken lines depict portions of the excavator that form no part of the claimed design.

**1 Claim, 6 Drawing Sheets**



(56)

**References Cited**

U.S. PATENT DOCUMENTS

D851,133 S *	6/2019	Jilbert .....	D15/25
D851,134 S *	6/2019	Jilbert .....	D15/25
D851,135 S *	6/2019	Jilbert .....	D15/25
D852,852 S *	7/2019	Jilbert .....	D15/25
D855,082 S *	7/2019	Okuyama .....	D15/25

\* cited by examiner

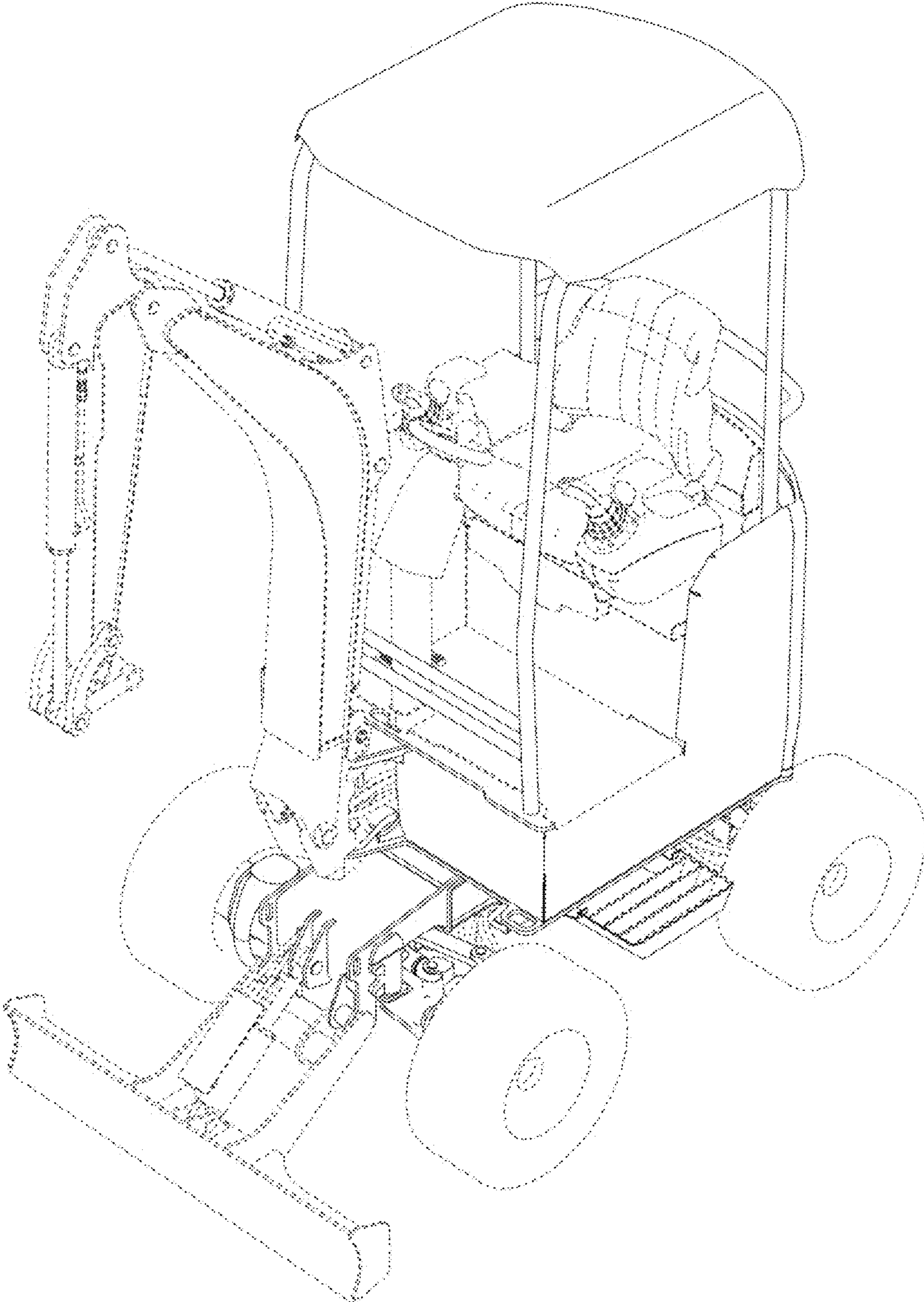


Fig. 1

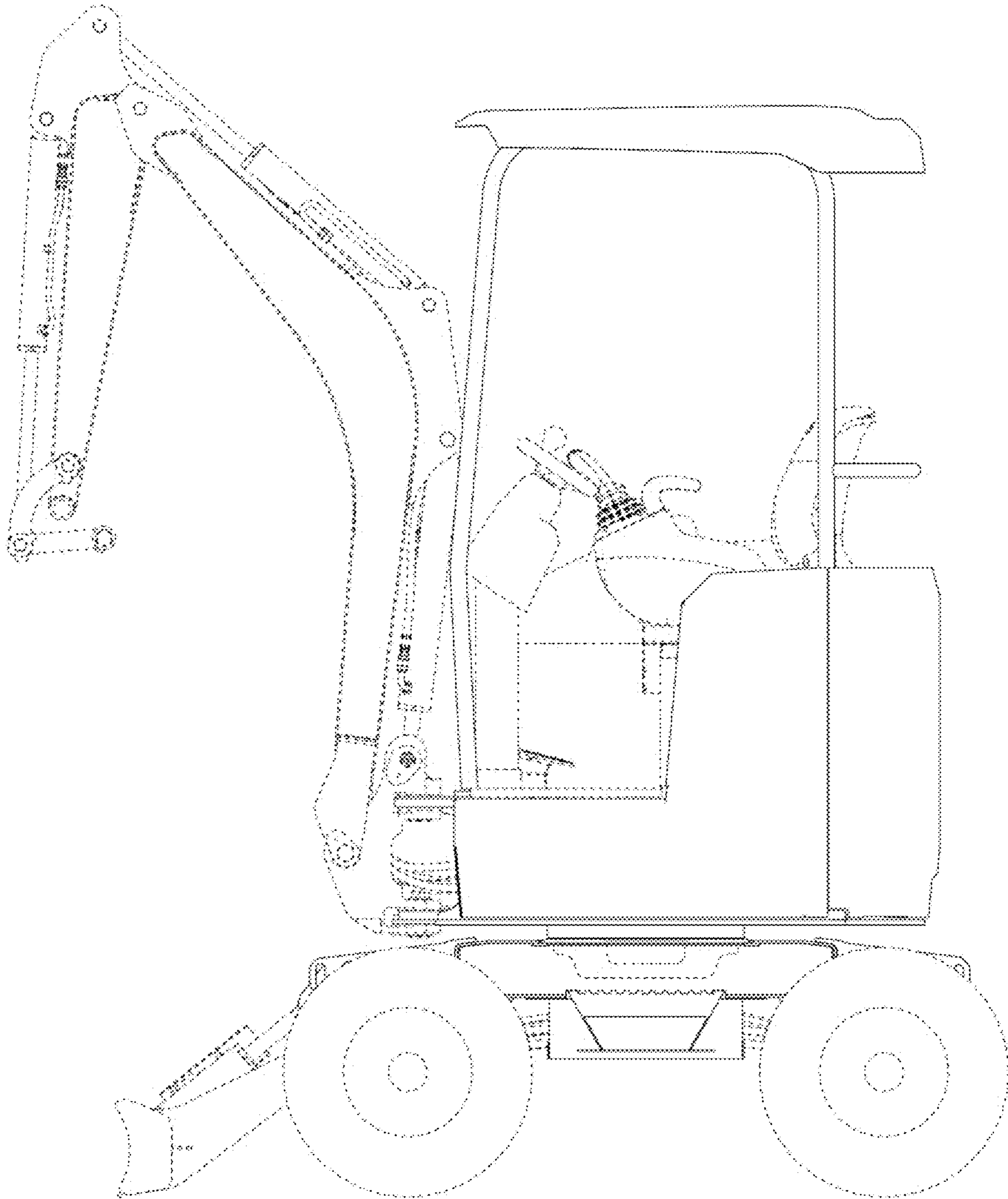


Fig. 2

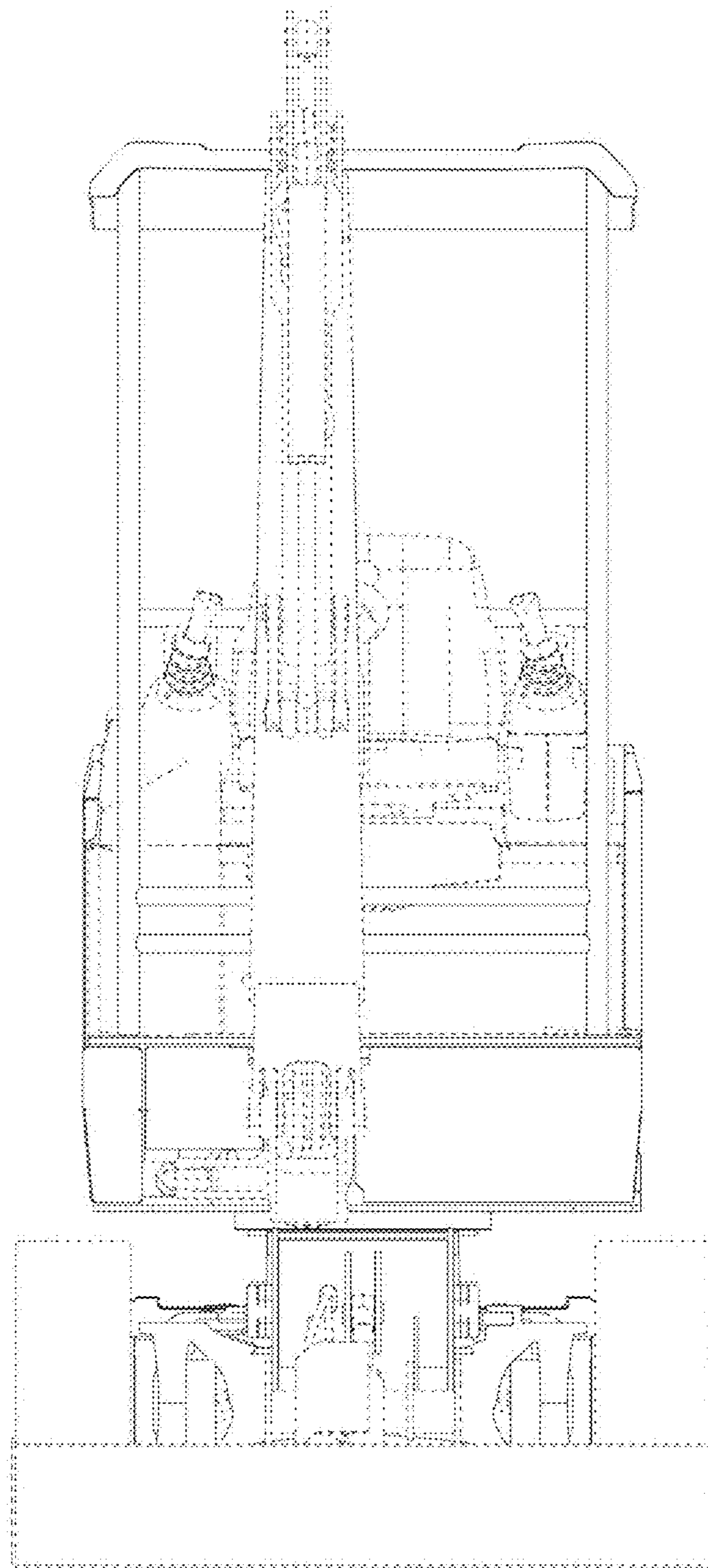


Fig. 3

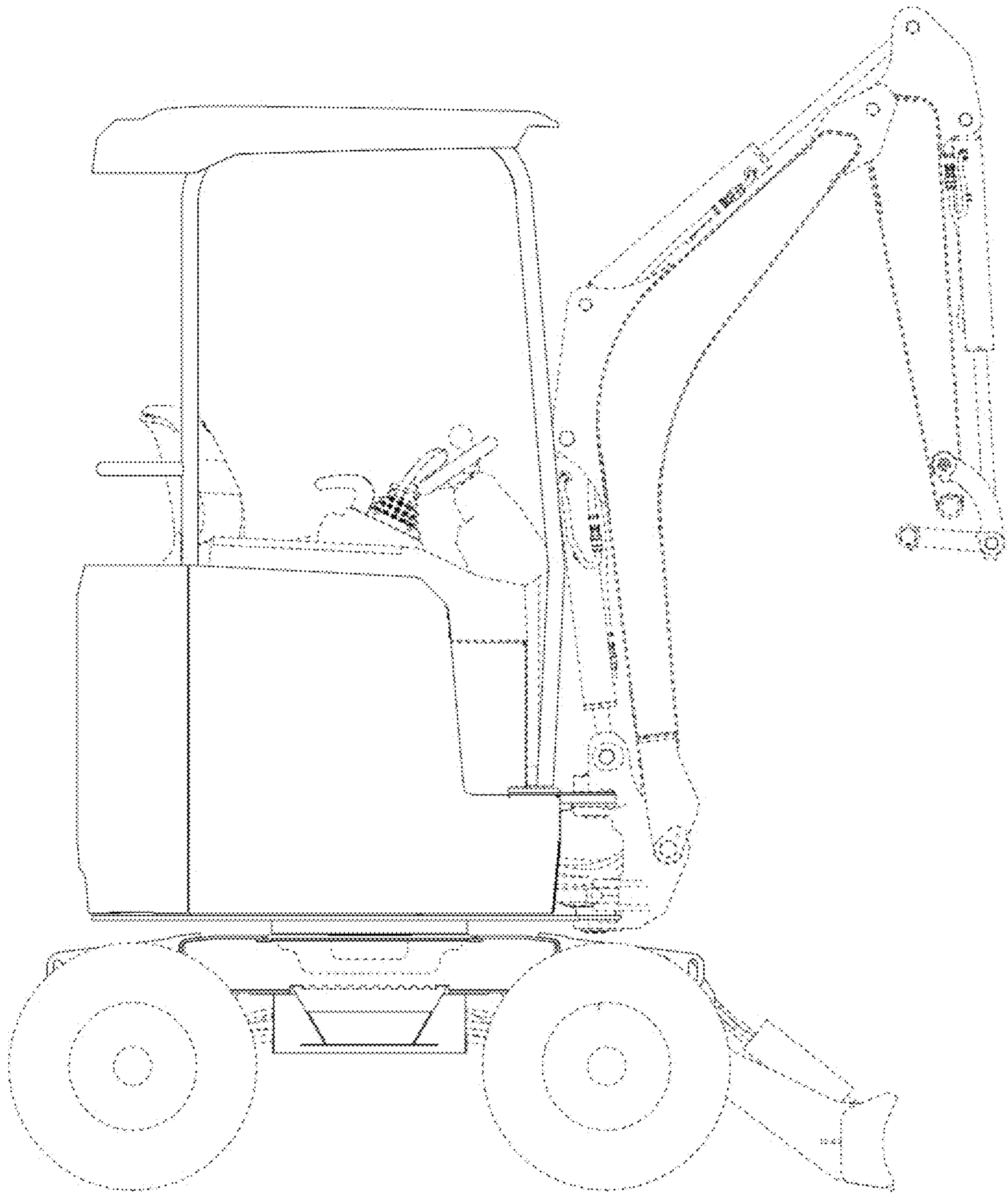


Fig. 4

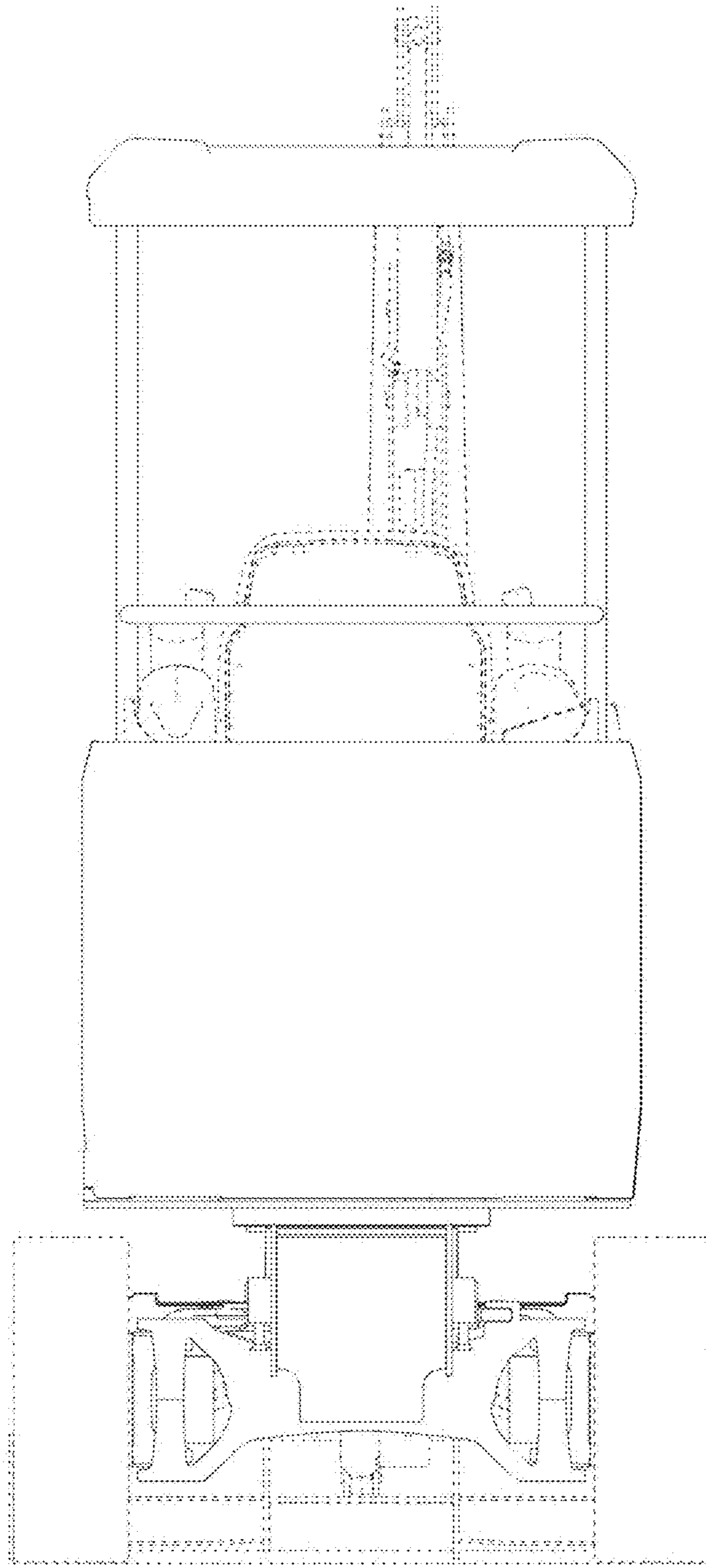


Fig. 5

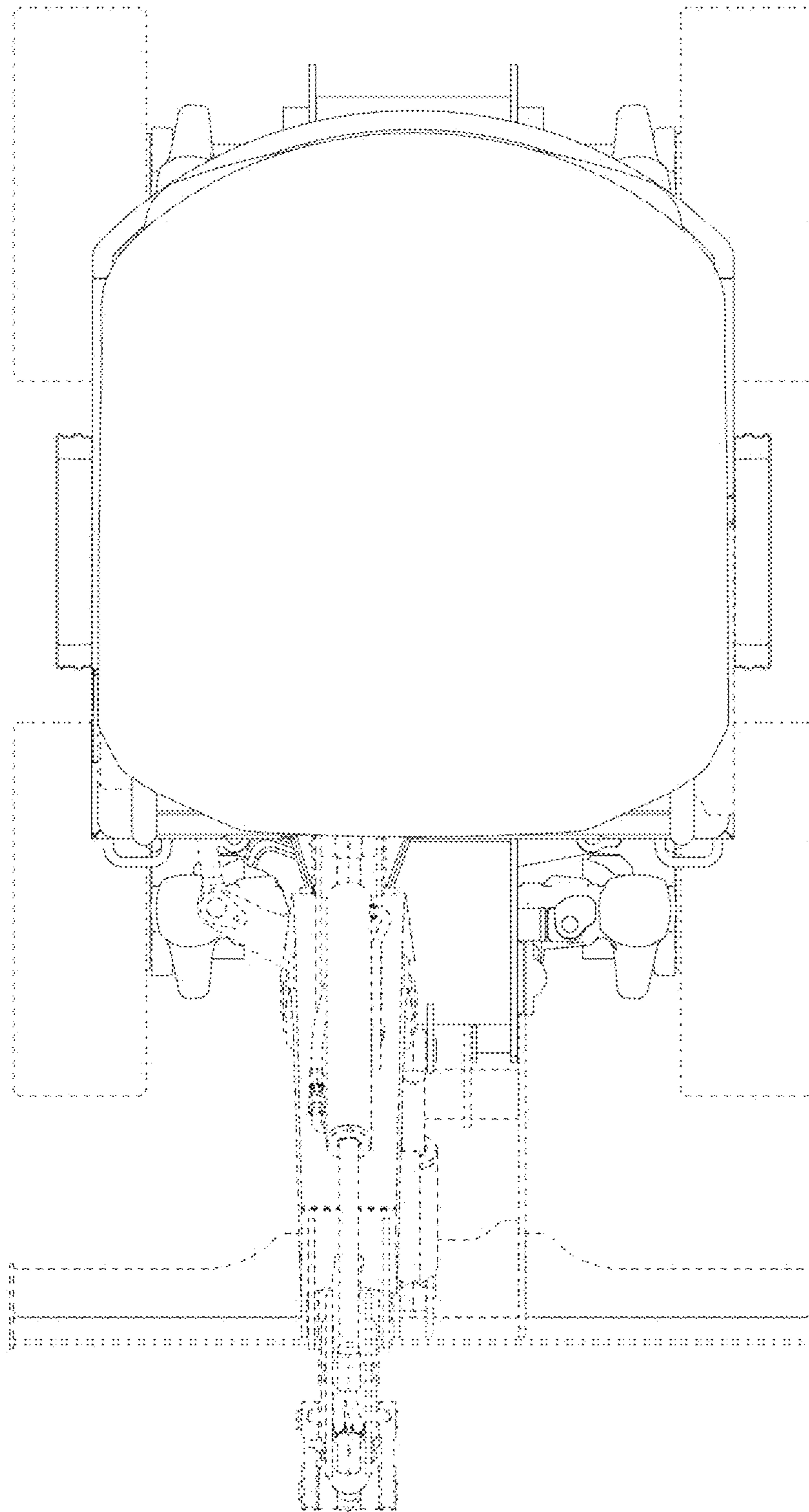


Fig. 6