



US00D939592S

(12) **United States Design Patent** (10) **Patent No.:** **US D939,592 S**
Pfaffmann et al. (45) **Date of Patent:** **** *Dec. 28, 2021**

(54) **WORK MACHINE**

FOREIGN PATENT DOCUMENTS

(71) Applicant: **DEERE & COMPANY**, Moline, IL
(US)

CN 200938740 Y 8/2007
DE 102017217481 A1 4/2019

(Continued)

(72) Inventors: **Simon Pfaffmann**, Mannheim (DE);
Nicolai Tarasinski, Frankenthal (DE);
Volker Kegel, Mannheim (DE)

OTHER PUBLICATIONS

(73) Assignee: **DEERE & COMPANY**, Moline, IL
(US)

USPTO, Response to Request for Corrected Filing Receipt, dated
Dec. 15, 2020, 1 page.

(Continued)

(*) Notice: This patent is subject to a terminal dis-
claimer.

Primary Examiner — Mark A Goodwin

(**) Term: **15 Years**

(57) **CLAIM**

(21) Appl. No.: **29/748,604**

The ornamental design for a work machine, as shown and
described.

(22) Filed: **Aug. 31, 2020**

Related U.S. Application Data

DESCRIPTION

(63) Continuation-in-part of application No. 16/946,775,
filed on Jul. 6, 2020, and a continuation-in-part of
application No. 16/810,487, filed on Mar. 5, 2020.

(51) **LOC (13) Cl.** **15-03**

(52) **U.S. Cl.**
USPC **D15/31**

(58) **Field of Classification Search**
USPC D15/10, 14, 15, 22–26, 33; 180/69.2,
180/89.1, 89.12, 900; 56/12.7, 15.8, 16.7,
56/13.3, 10.1, 202, 320.1
CPC A01B 51/026; B62D 49/02; B62D 33/06;
B62D 33/0604; B62D 33/0617; B62D
25/10; B60K 15/063; B60K 15/073;
B60K

(Continued)

FIG. 1 is a top, front, left perspective view of a work
machine according to our new design;
FIG. 2 is a left side elevational view thereof;
FIG. 3 is a right side elevational view thereof;
FIG. 4 is a front elevational view thereof;
FIG. 5 is a rear elevational view thereof;
FIG. 6 is a top plan view thereof;
FIG. 7 is a bottom plan view thereof;
FIG. 8 is a top, front, left perspective view of a work
machine according to another embodiment of our new
design;
FIG. 9 is a left side elevational view thereof;
FIG. 10 is a right side elevational view thereof;
FIG. 11 is a front elevational view thereof;
FIG. 12 is a rear elevational view thereof;
FIG. 13 is a top plan view thereof; and,
FIG. 14 is a bottom plan view thereof.

The broken line representations in the figures show
unclaimed environment or boundaries, and thus form no part
of the claimed design.

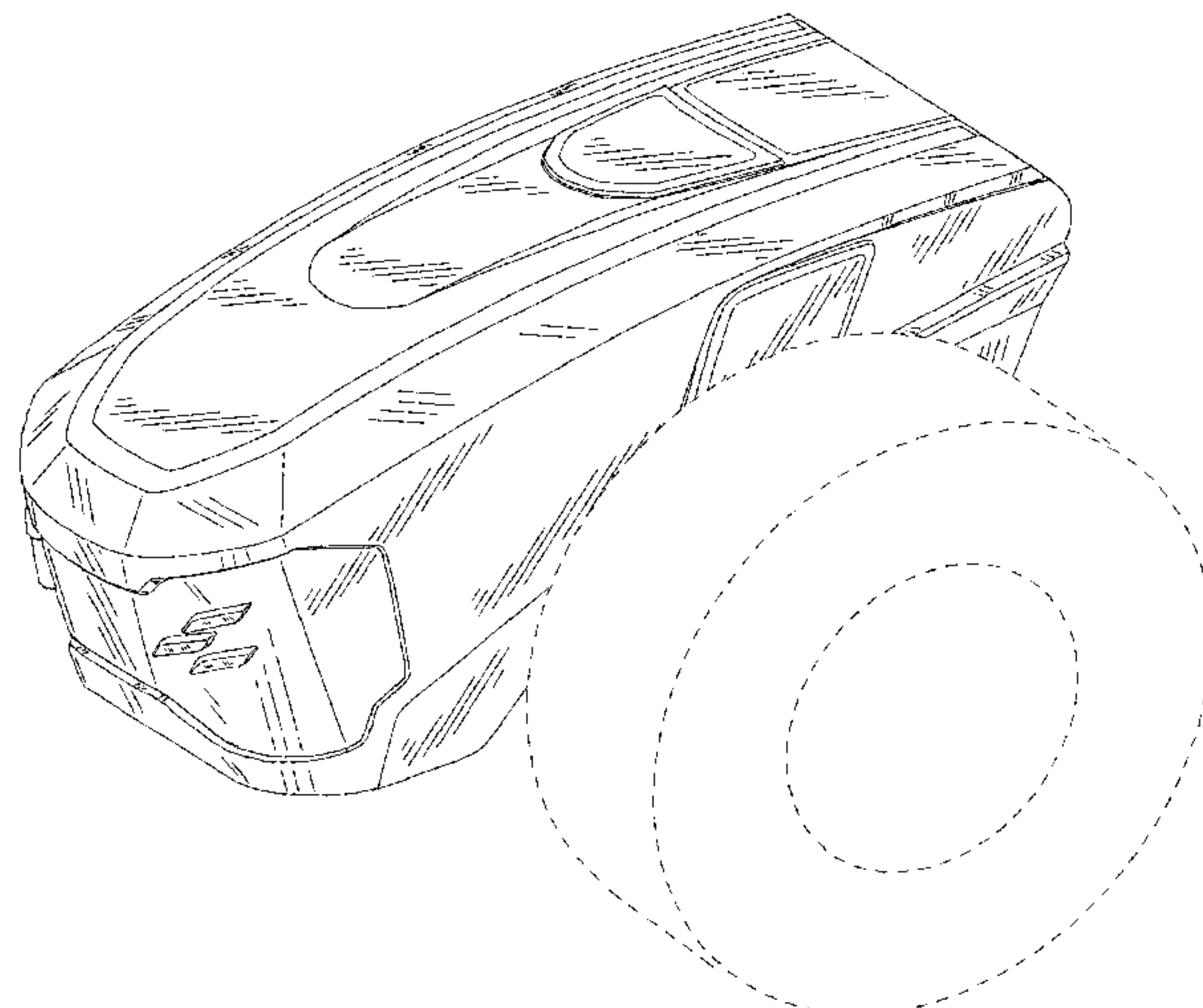
(56) **References Cited**

U.S. PATENT DOCUMENTS

D759,129 S * 6/2016 Kushita D15/31
D766,340 S * 9/2016 Jackson D15/31

(Continued)

1 Claim, 14 Drawing Sheets



(58) **Field of Classification Search**

CPC 2015/0637; A01D 2101/00; A01D 34/008;
 A01D 34/6806; A01D 42/00; A01D
 43/063; A01D 93/00

See application file for complete search history.

(56) **References Cited**

U.S. PATENT DOCUMENTS

D778,963	S	*	2/2017	Yang	D15/31
D785,681	S	*	5/2017	Okuyama	D15/31
D804,539	S	*	12/2017	Okuyama	D15/31
D837,837	S	*	1/2019	Park	D15/31
D843,421	S	*	3/2019	Gonzales	D15/31
D854,056	S	*	7/2019	Futagami	D15/31
D861,741	S	*	10/2019	Humphrey	D15/31
D880,537	S	*	4/2020	Roach	D15/31
D888,783	S		6/2020	Esau		
D896,853	S	*	9/2020	Park	D15/31
D897,382	S	*	9/2020	Futagami	D15/31
D909,425	S	*	2/2021	Park	D15/31
D910,086	S		2/2021	Keen et al.		
2014/0027228	A1		1/2014	Tojima et al.		
2017/0355252	A1		12/2017	Jackson		
2019/0103739	A1		4/2019	Kegel et al.		
2020/0298641	A1		9/2020	Tarasinski et al.		
2021/0029864	A1		2/2021	Pfaffmann et al.		

FOREIGN PATENT DOCUMENTS

DE	102018108024	A1	10/2019
DE	102018108025	A1	10/2019
DE	102018212150	A1	1/2020
DE	102018214136	A1	2/2020
DE	102019103923	A1	8/2020
DE	102019202826	A1	9/2020
DE	102019111315	A1	11/2020
DE	102019111317	A1	11/2020
DE	102019114866	A1	12/2020
DE	102019114869	A1	12/2020
DE	102019114872	A1	12/2020
DE	102019122755	A1	2/2021
EP	3461676	A1	4/2019
EP	3702305	A1	9/2020
EP	3712003	A1	9/2020
GB	801770	A	9/1958

OTHER PUBLICATIONS

AEBI Schmidt, EC 170 /130 Electrical implement carrier brochure,
 Mar. 2019.

* cited by examiner

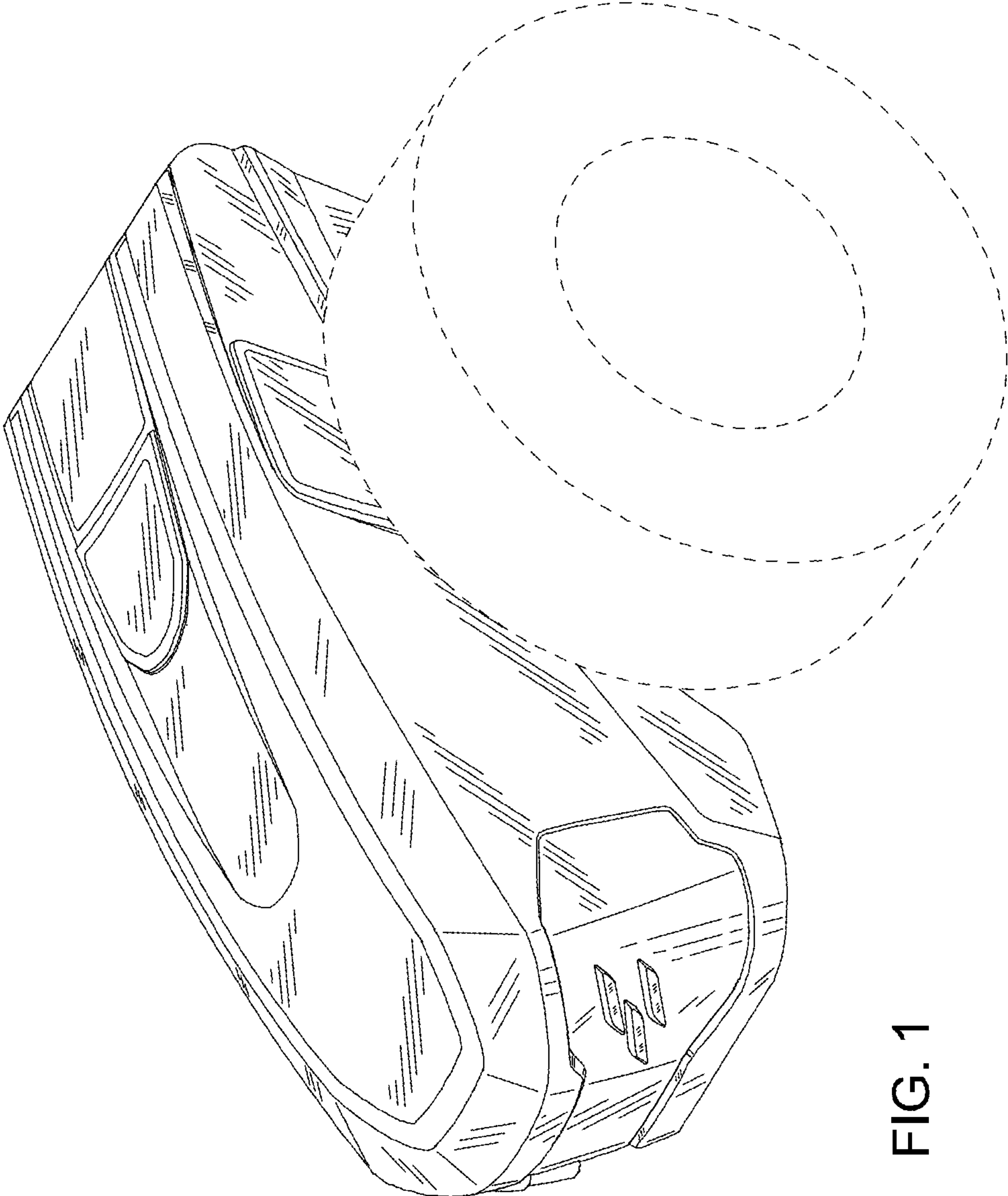


FIG. 1

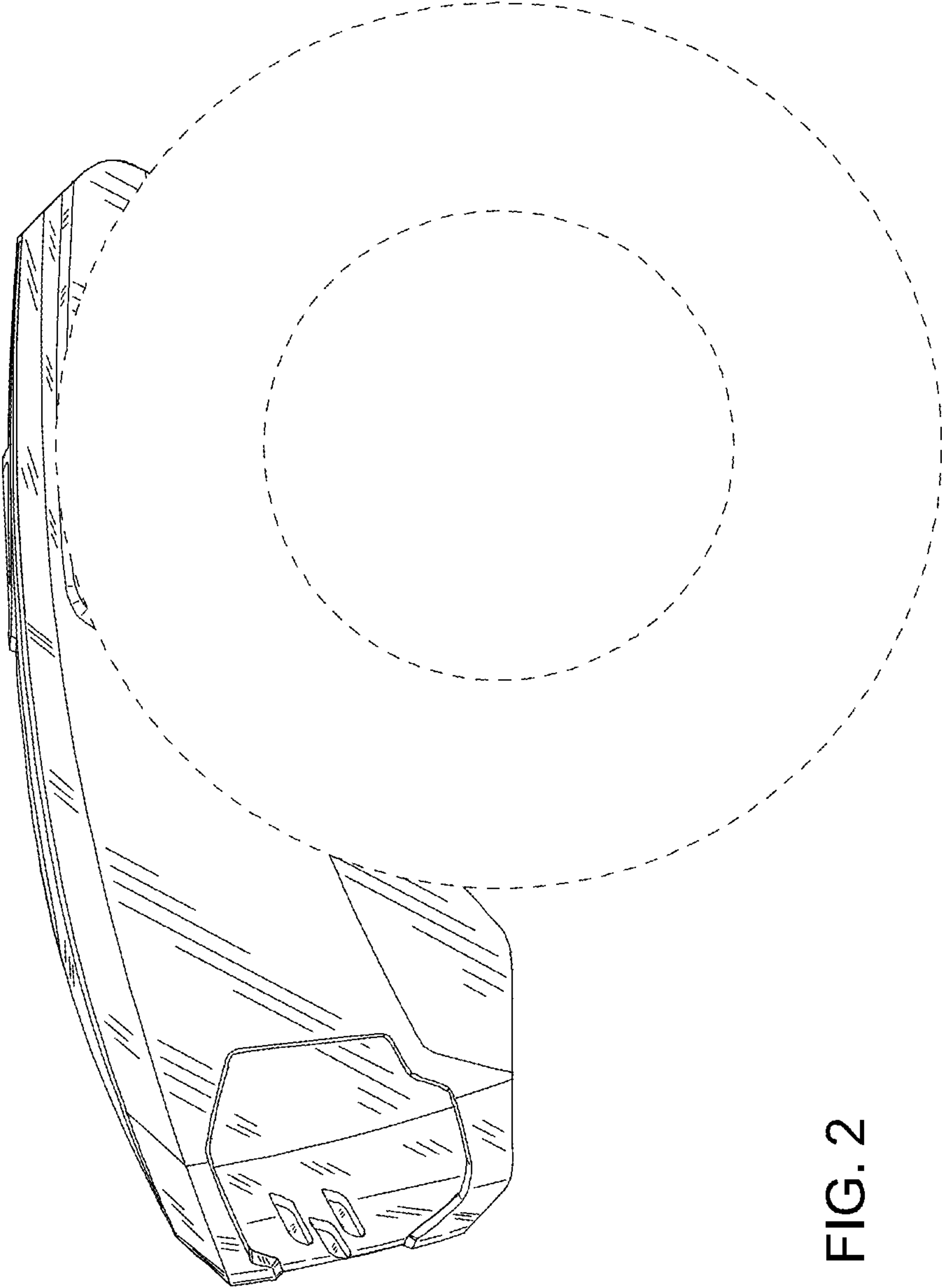


FIG. 2

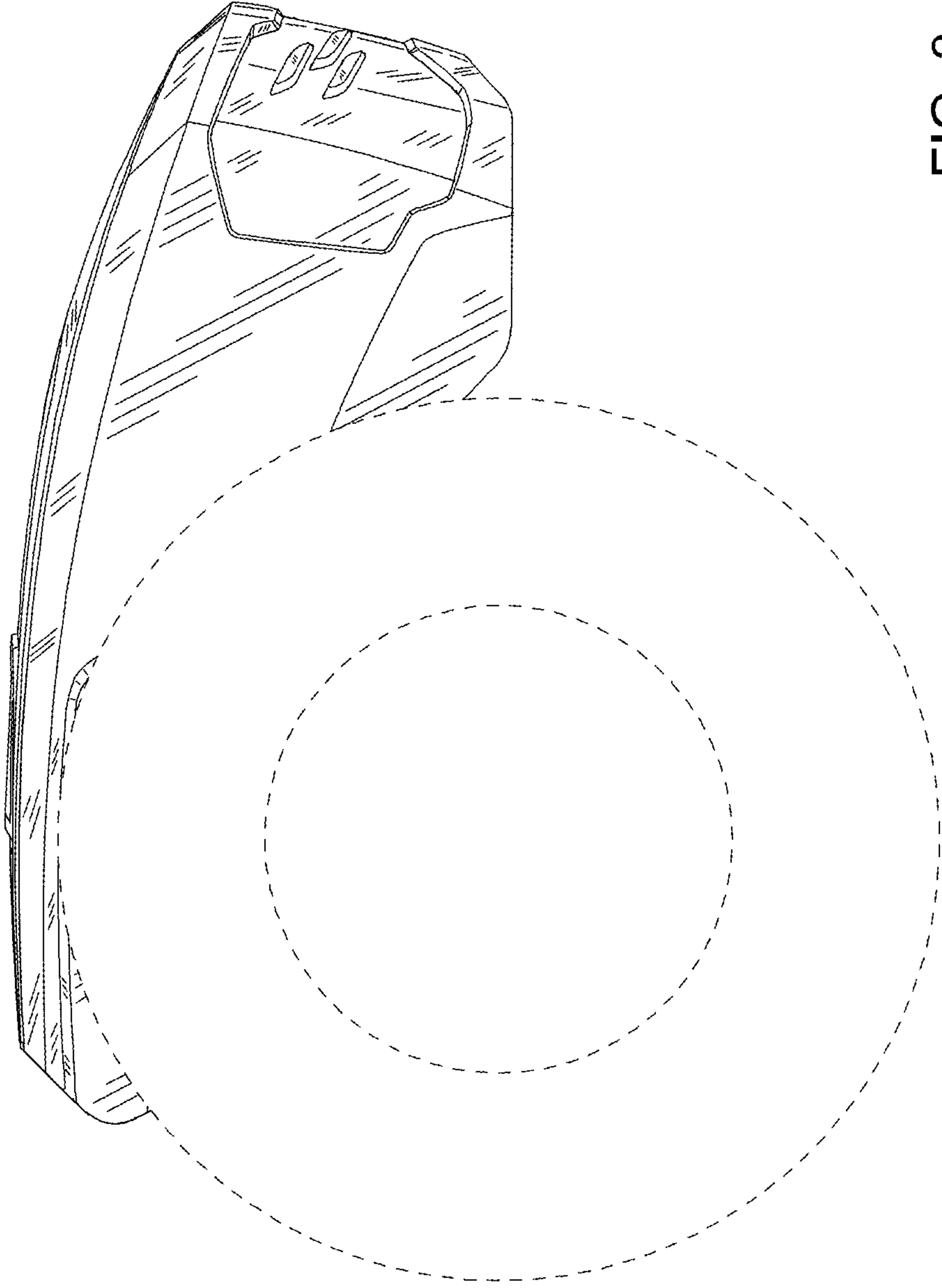


FIG. 3

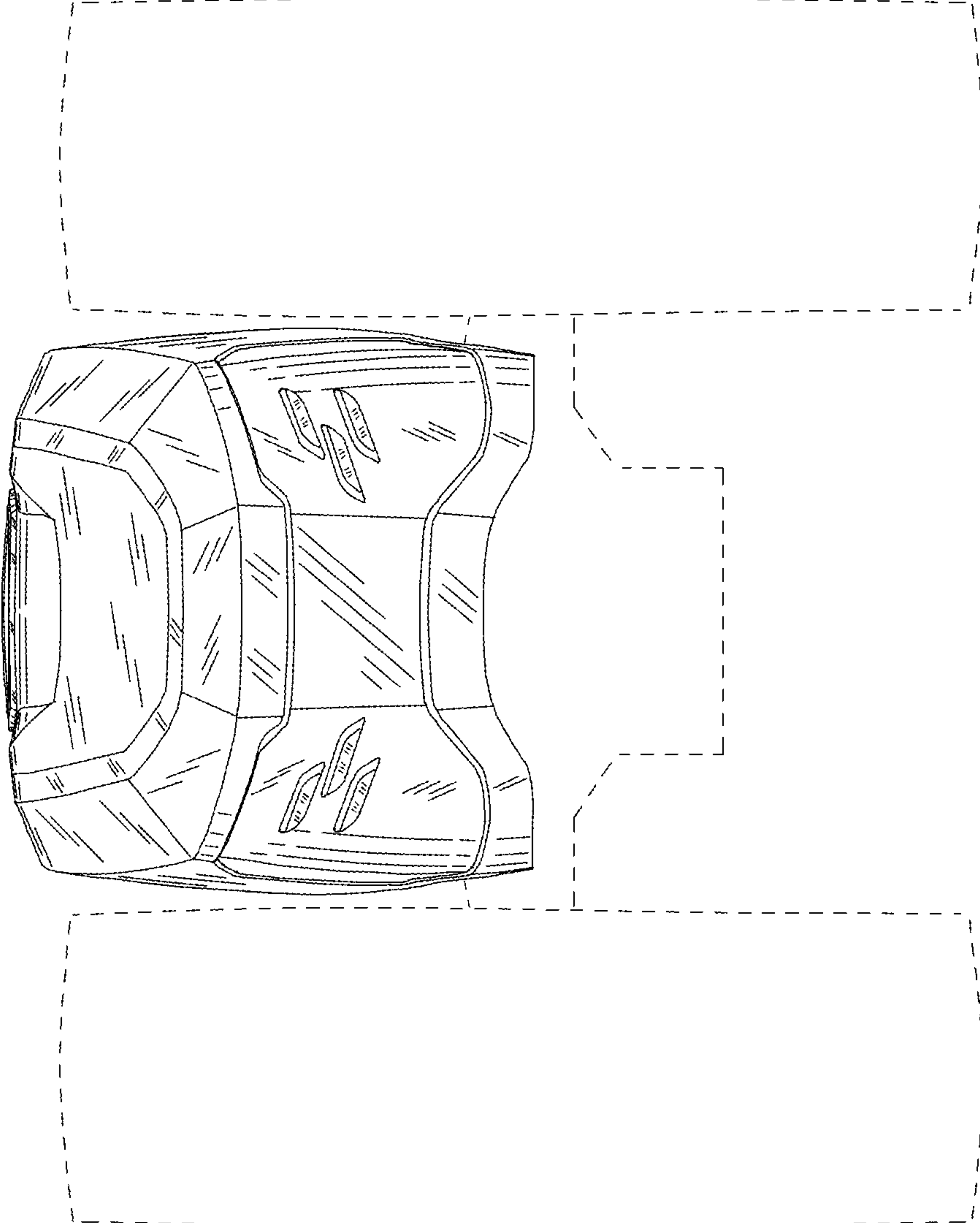


FIG. 4

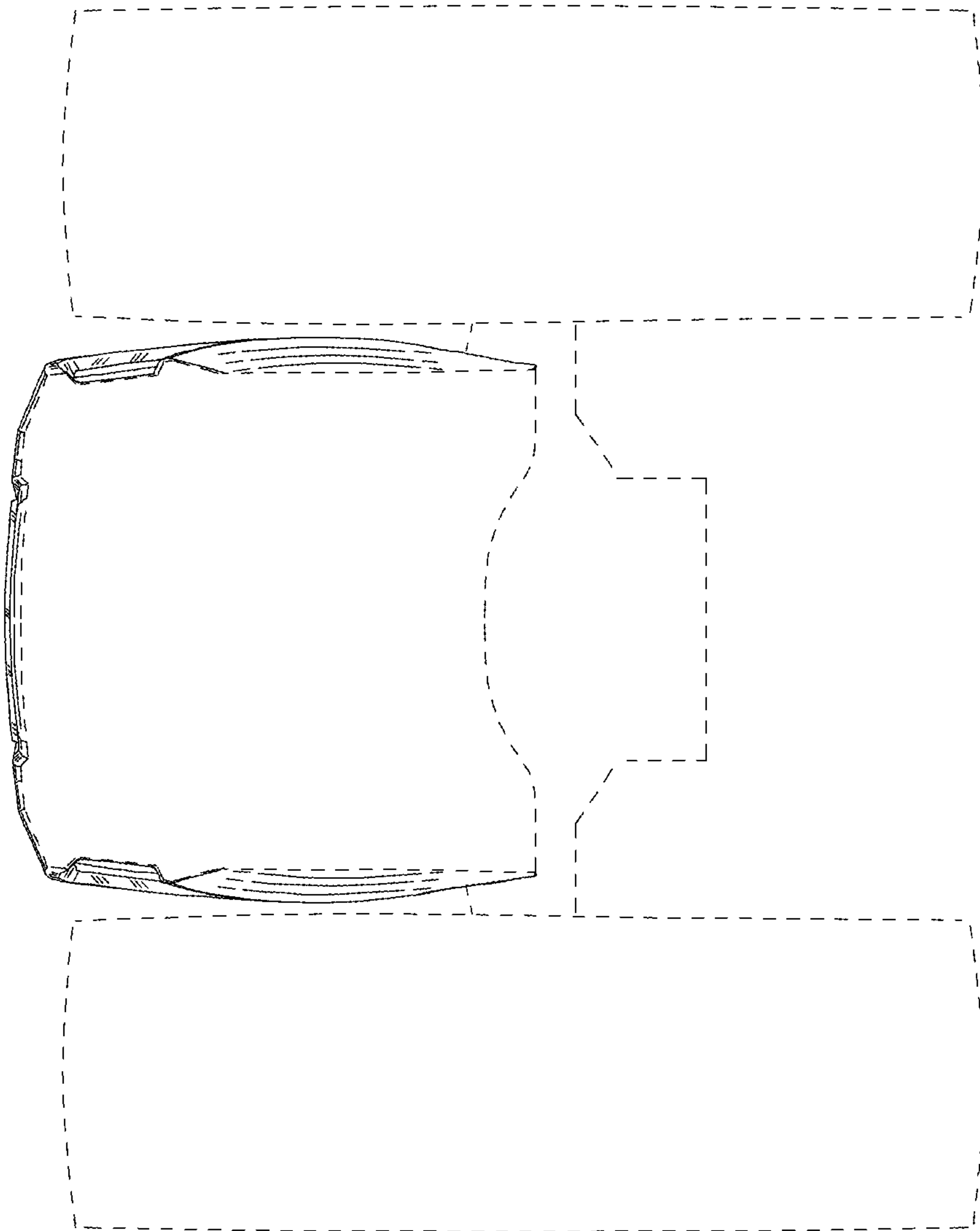


FIG. 5

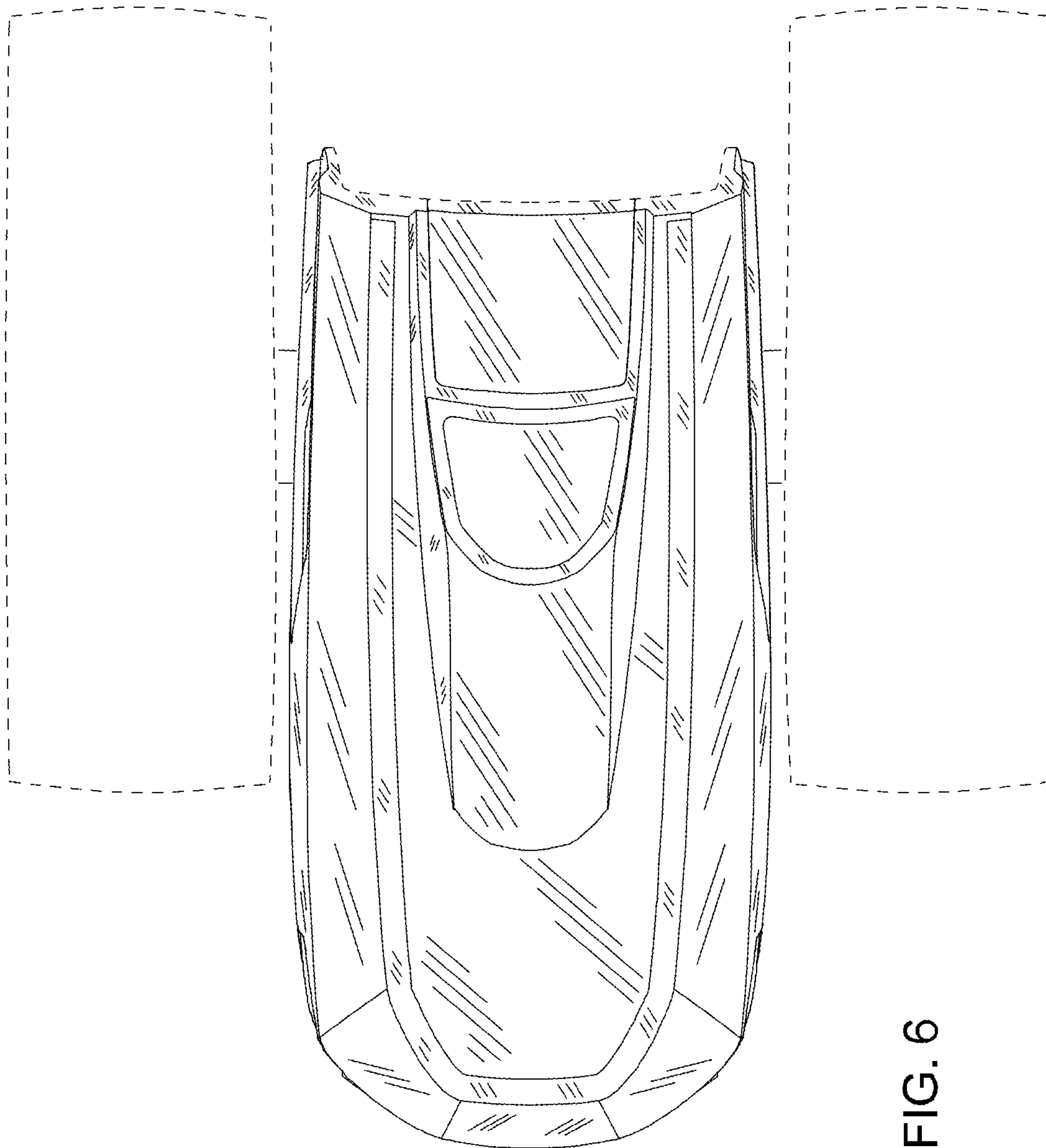


FIG. 6

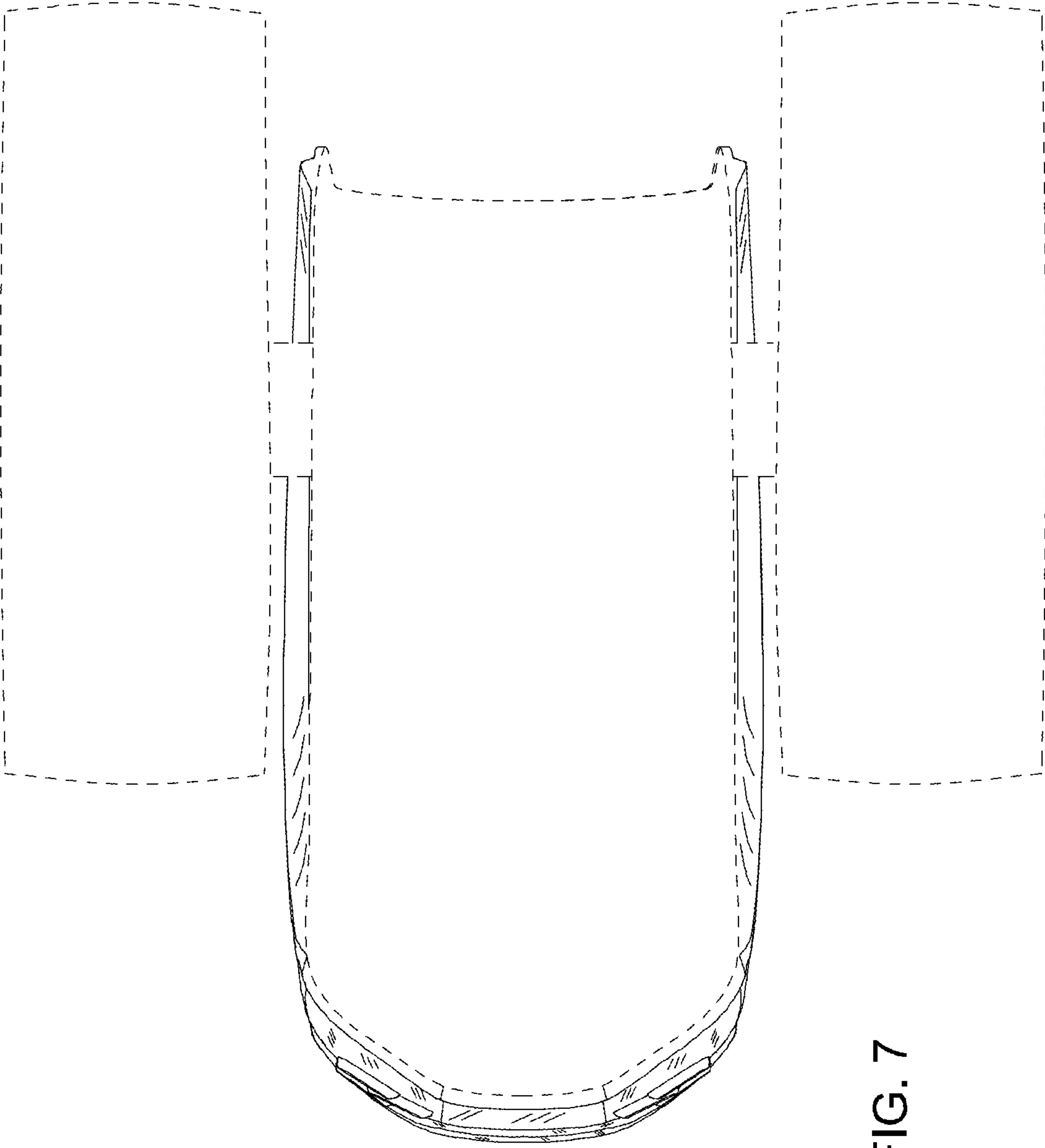


FIG. 7

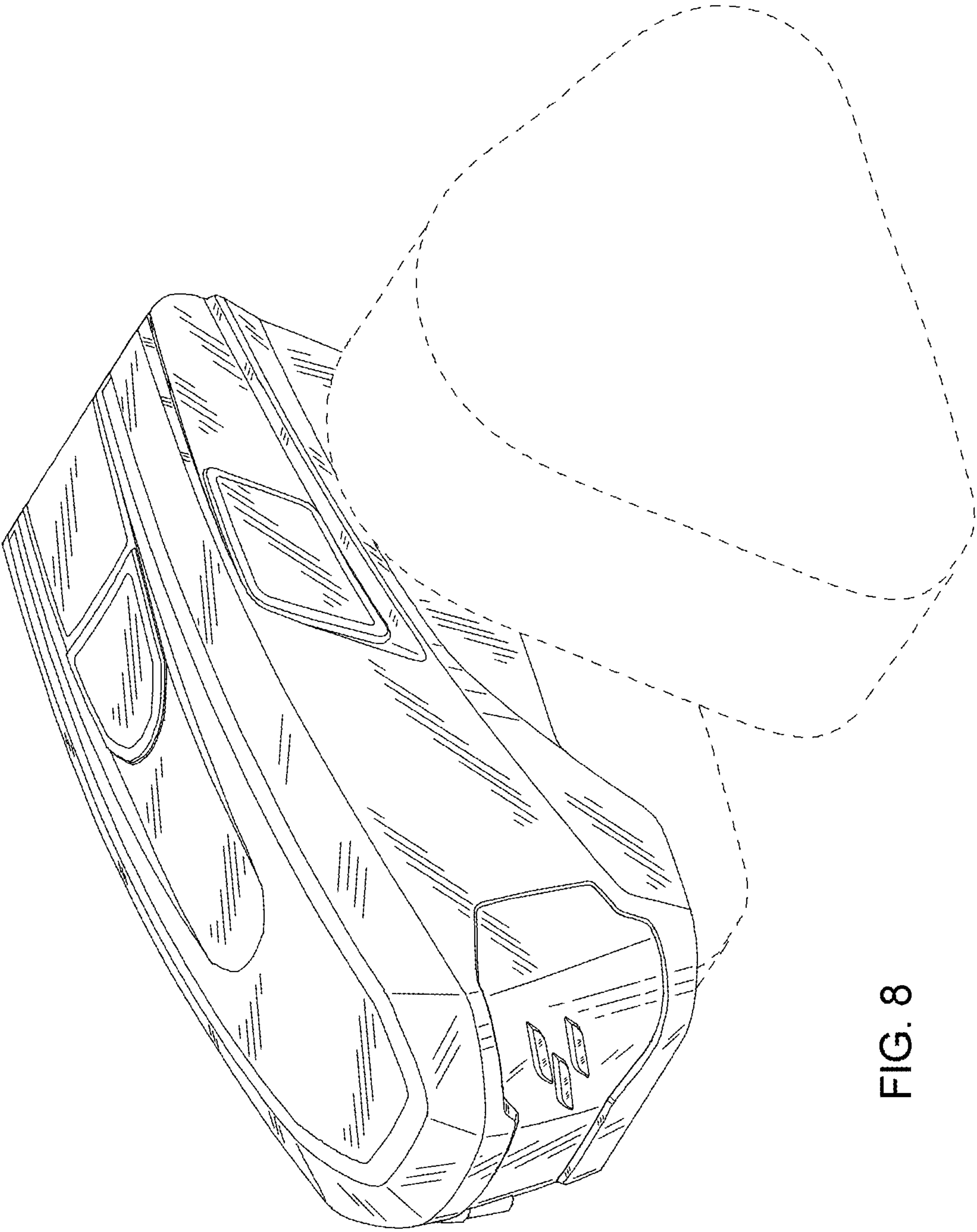


FIG. 8

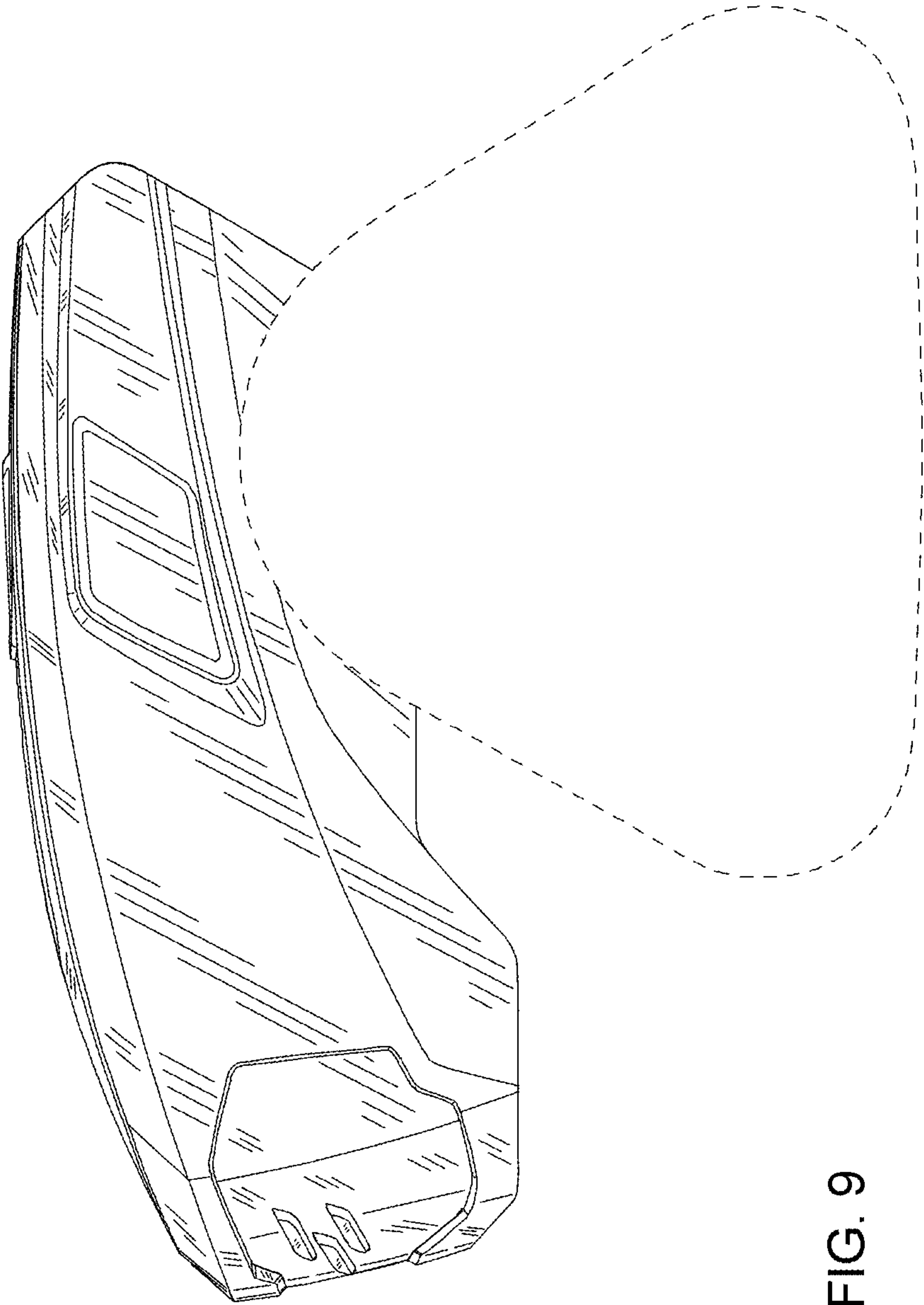


FIG. 9

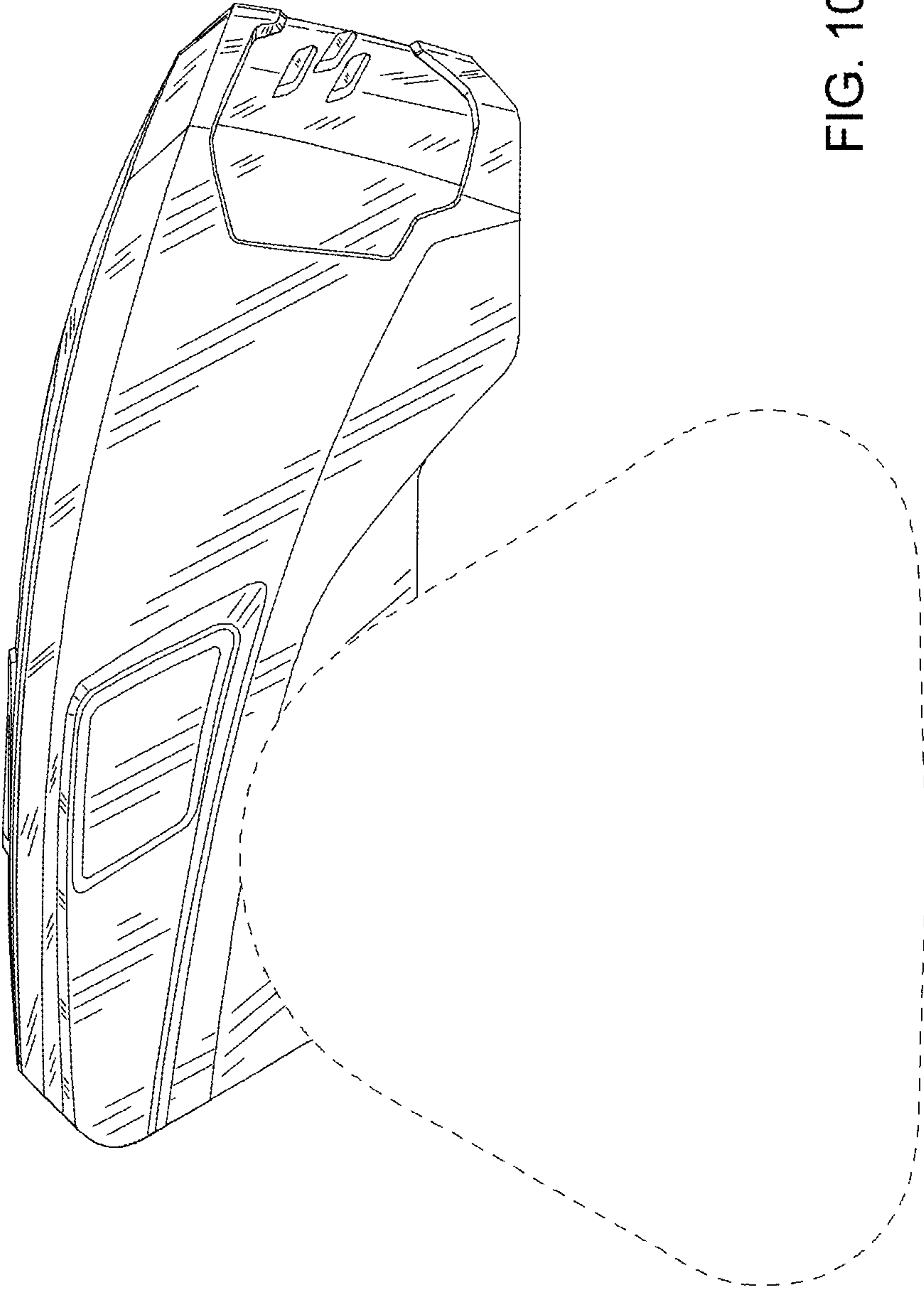


FIG. 10

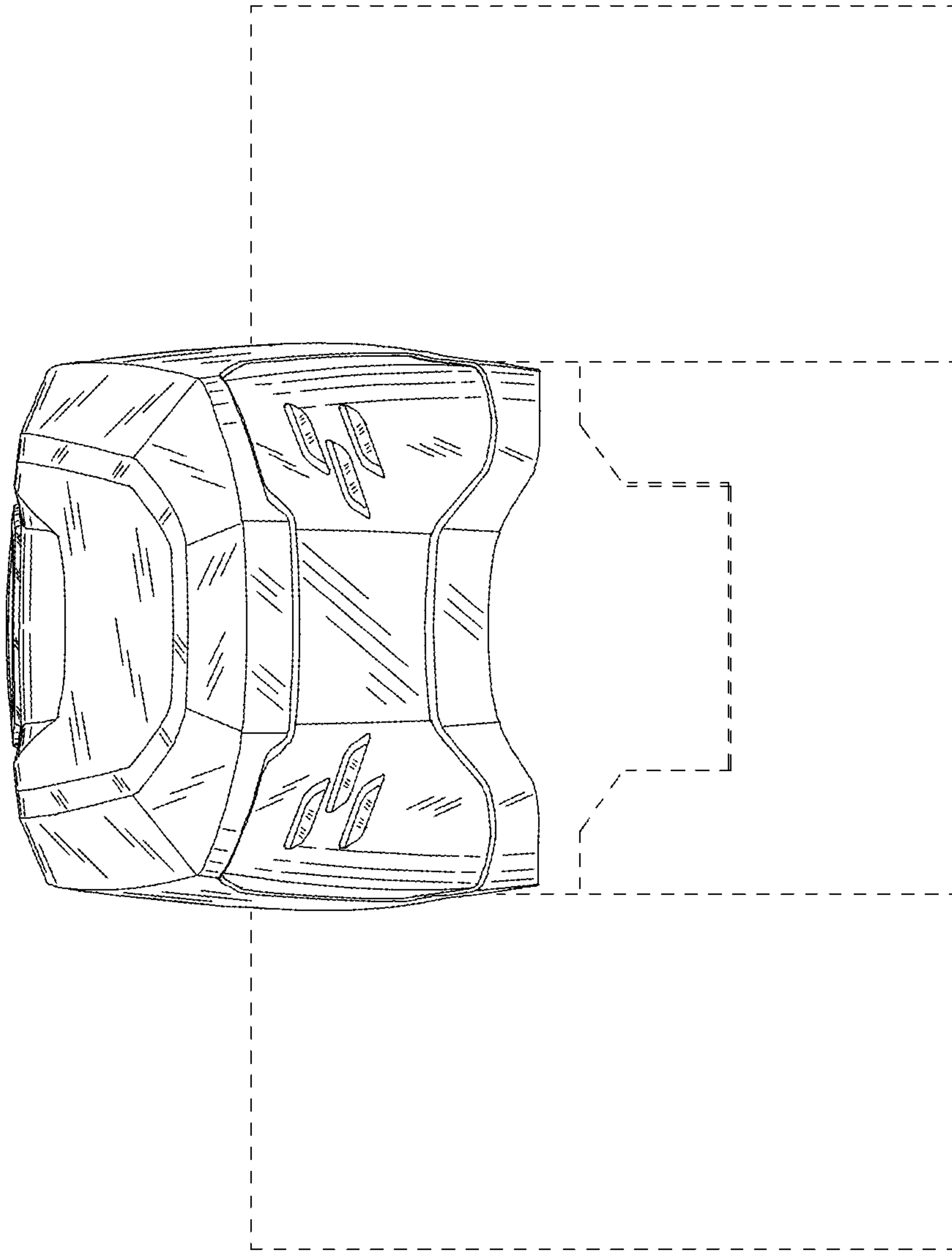


FIG. 11

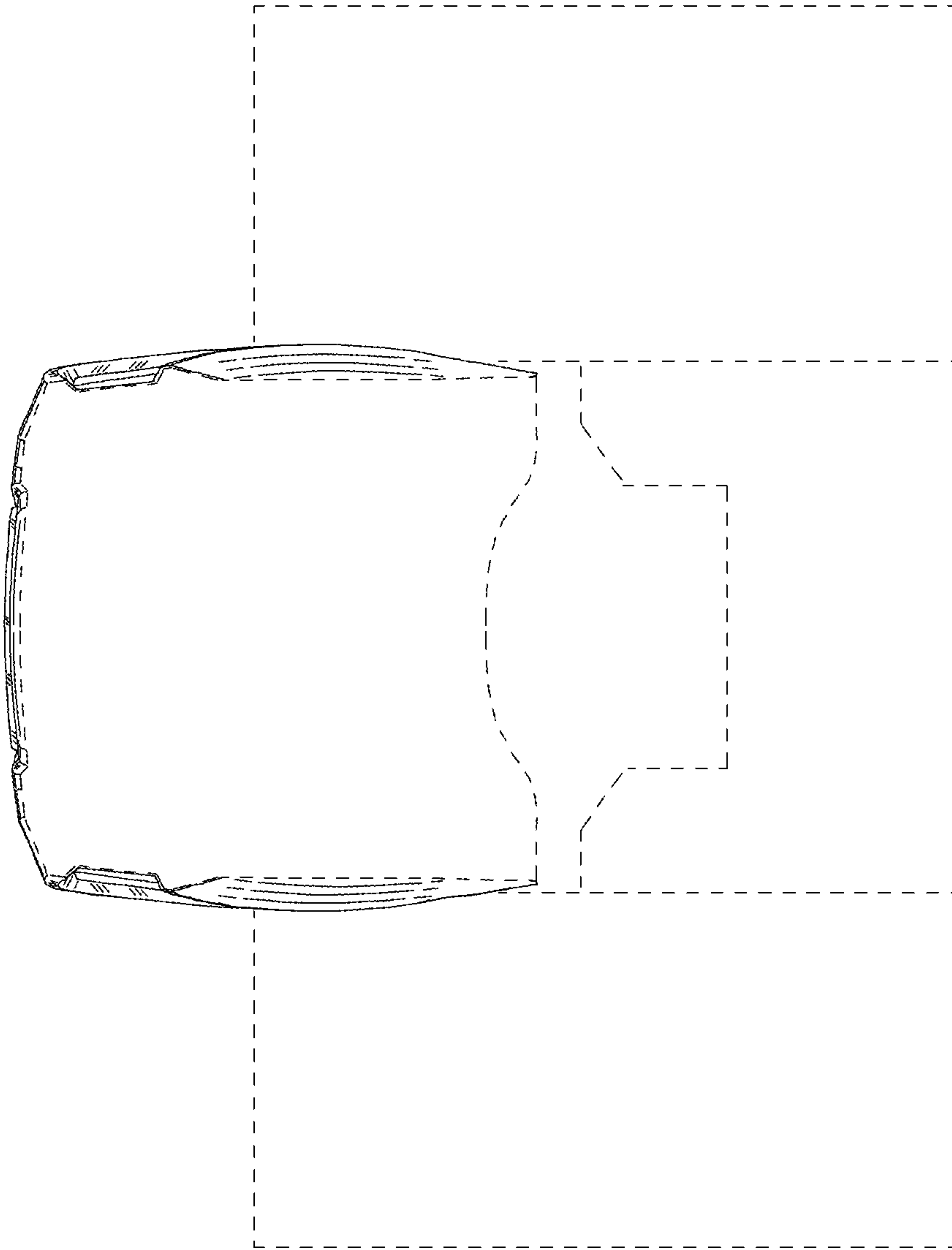


FIG. 12

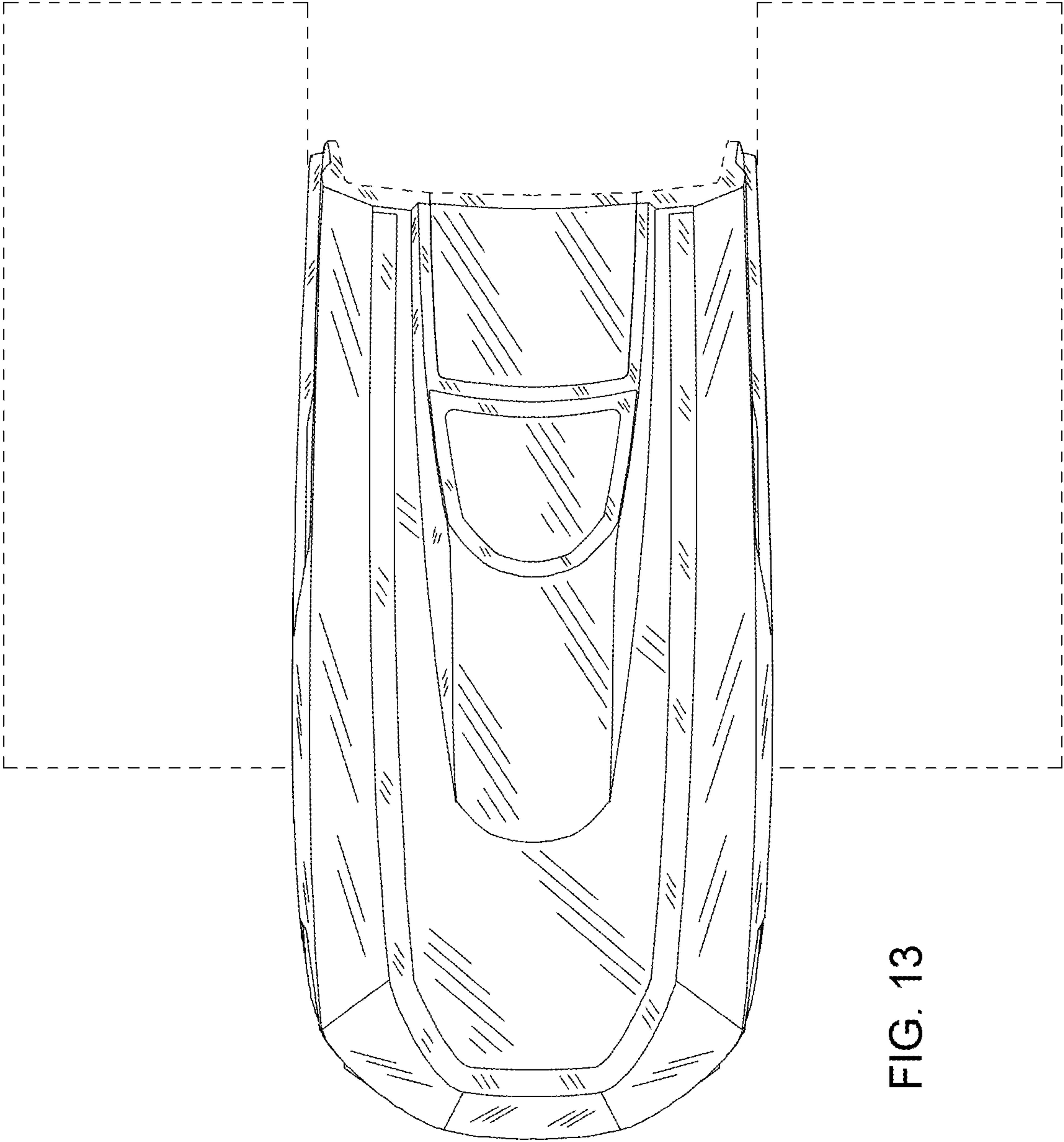


FIG. 13

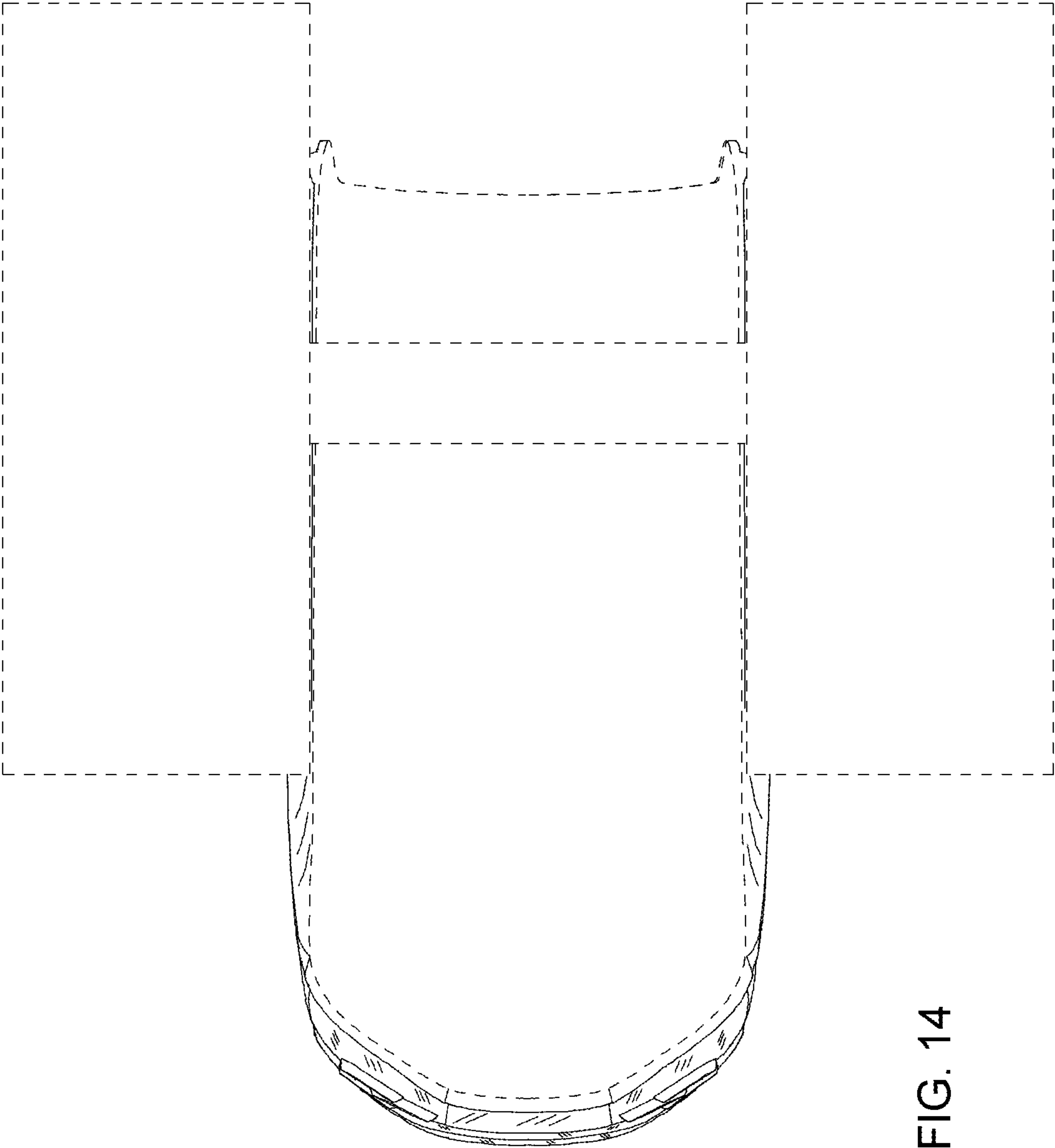


FIG. 14