



US00D939590S

(12) **United States Design Patent** (10) **Patent No.:** **US D939,590 S**
McCain et al. (45) **Date of Patent:** **** Dec. 28, 2021**

(54) **AGRICULTURAL VEHICLE WITH A VARIABLE-HEIGHT ELEVATED PLATFORM**

(71) Applicant: **Cruiser Products, LLC**, St. Henry, OH (US)

(72) Inventors: **Michael T. McCain**, Fort Recovery, OH (US); **Dan Lennartz**, Fort Recovery, OH (US); **Craig Rauh**, Fort Recovery, OH (US); **Kurt Boeckman**, Portland, IN (US); **Brandon Miller**, Portland, IN (US)

(73) Assignee: **Cruiser Products, LLC**, St. Henry, OH (US)

(**) Term: **15 Years**

(21) Appl. No.: **29/794,346**

(22) Filed: **Jun. 11, 2021**

Related U.S. Application Data

(62) Division of application No. 29/721,955, filed on Jan. 24, 2020.

(51) **LOC (13) Cl.** **15-03**

(52) **U.S. Cl.**
USPC **D15/10**

(58) **Field of Classification Search**
USPC D15/10-33

(Continued)

(56) **References Cited**

U.S. PATENT DOCUMENTS

2,750,236 A * 6/1956 Middendorf B66F 11/04
182/101
3,865,203 A * 2/1975 Hibma E04G 5/00
180/2.1

(Continued)

Primary Examiner — Mark A Goodwin

(74) *Attorney, Agent, or Firm* — Frost Brown Todd LLC

(57) **CLAIM**

The ornamental design for an agricultural vehicle with a variable-height elevated platform, as shown and described.

DESCRIPTION

FIG. 1 is a perspective view of an agricultural vehicle with a variable-height elevated platform in a lower height position showing our new design.

FIG. 2 is a front elevation view of the agricultural vehicle with the variable-height elevated platform of FIG. 1.

FIG. 3 is a rear elevation view of the agricultural vehicle with the variable-height elevated platform of FIG. 1.

FIG. 4 is a left side elevation view of the agricultural vehicle with the variable-height elevated platform of FIG. 1.

FIG. 5 is a right side elevation view of the agricultural vehicle with the variable-height elevated platform of FIG. 1.

FIG. 6 is a top plan view of the agricultural vehicle with the variable-height elevated platform of FIG. 1.

FIG. 7 is a bottom plan view of the agricultural vehicle with the variable-height elevated platform of FIG. 1.

FIG. 8 is a perspective view of the agricultural vehicle with the variable-height elevated platform of FIG. 1 in an upper height position.

FIG. 9 is a front elevation view of the agricultural vehicle with the variable-height elevated platform of FIG. 8.

FIG. 10 is a rear elevation view of the agricultural vehicle with the variable-height elevated platform of FIG. 8.

FIG. 11 is a left side elevation view of the agricultural vehicle with the variable-height elevated platform of FIG. 8.

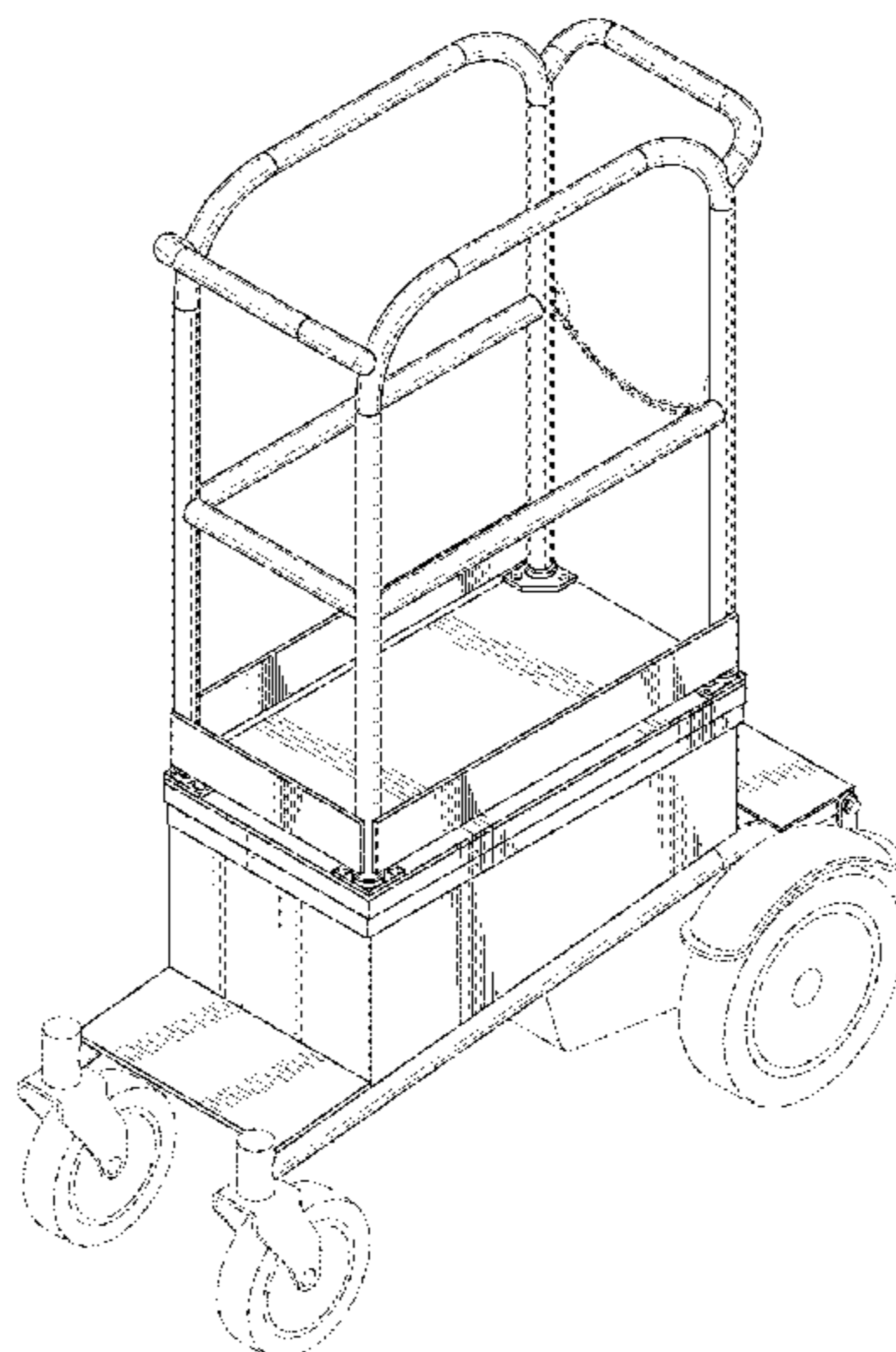
FIG. 12 is a right side elevation view of the agricultural vehicle with the variable-height elevated platform of FIG. 8.

FIG. 13 is a top plan view of the agricultural vehicle with the variable-height elevated platform of FIG. 8; and,

FIG. 14 is a bottom plan view of the agricultural vehicle with the variable-height elevated platform of FIG. 8.

The dot-dot-dash lines in the drawings are included for the purpose of illustrating portions of the agricultural vehicle with the variable-height elevated platform that form no part of the claimed design.

1 Claim, 14 Drawing Sheets



(58) **Field of Classification Search**

CPC E04G 1/24; E04G 1/18; E04G 1/28; E06C
5/02; E06C 1/39; E06C 1/397

See application file for complete search history.

(56) **References Cited**

U.S. PATENT DOCUMENTS

4,967,733	A *	11/1990	Rousseau	B66F 11/04 182/13
6,431,314	B1 *	8/2002	Bou langer	B62D 7/142 180/65.1
6,932,194	B1 *	8/2005	Chipman	E04G 1/28 182/106
9,903,126	B2 *	2/2018	Row some	E04G 1/22
2008/0093166	A1 *	4/2008	Frolik	E06C 1/39 182/17
2012/0211304	A1 *	8/2012	Rubey	E04G 1/24 182/63.1
2016/0053538	A1 *	2/2016	Wallther	E06C 1/397 182/113

* cited by examiner

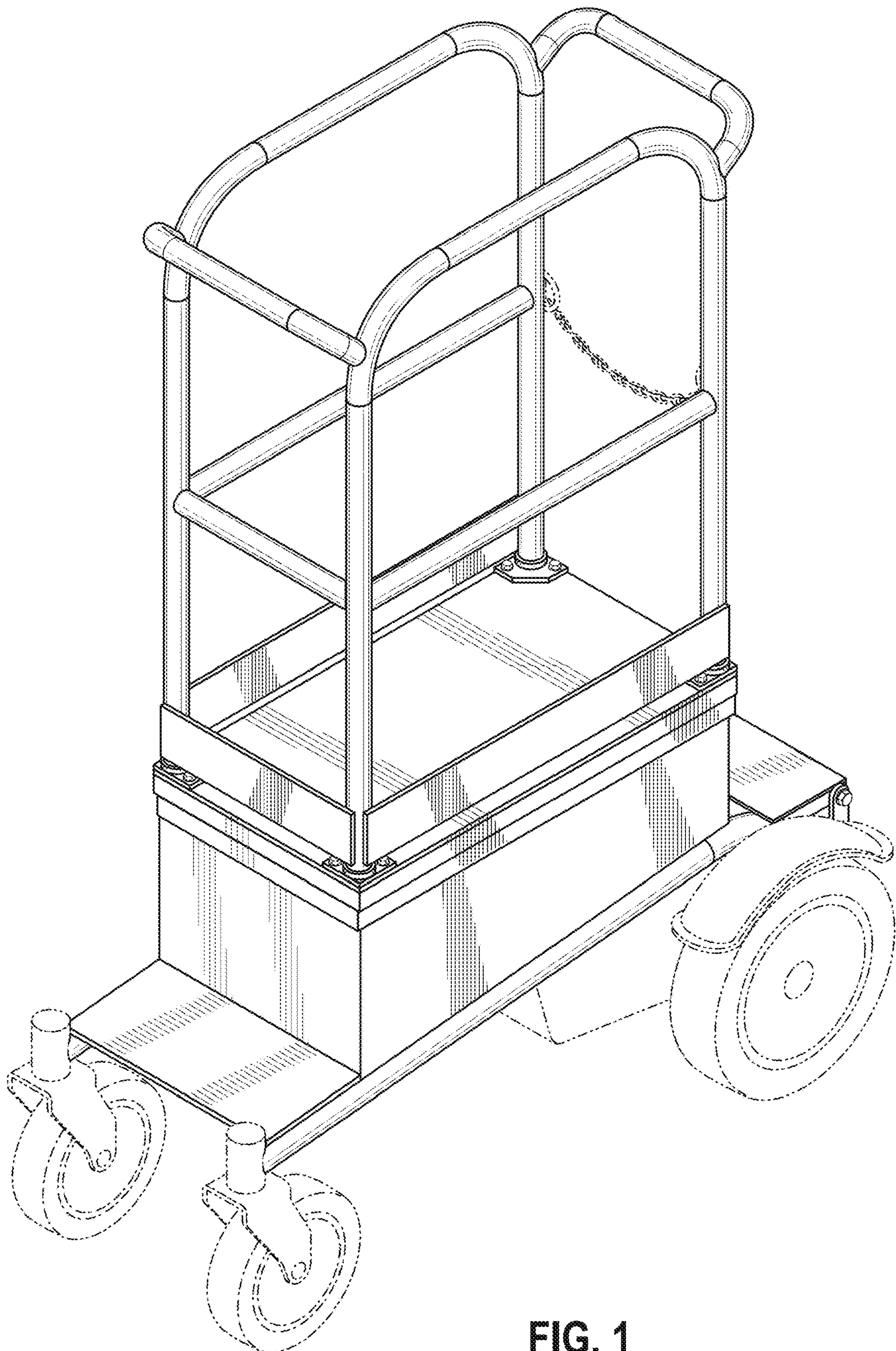


FIG. 1

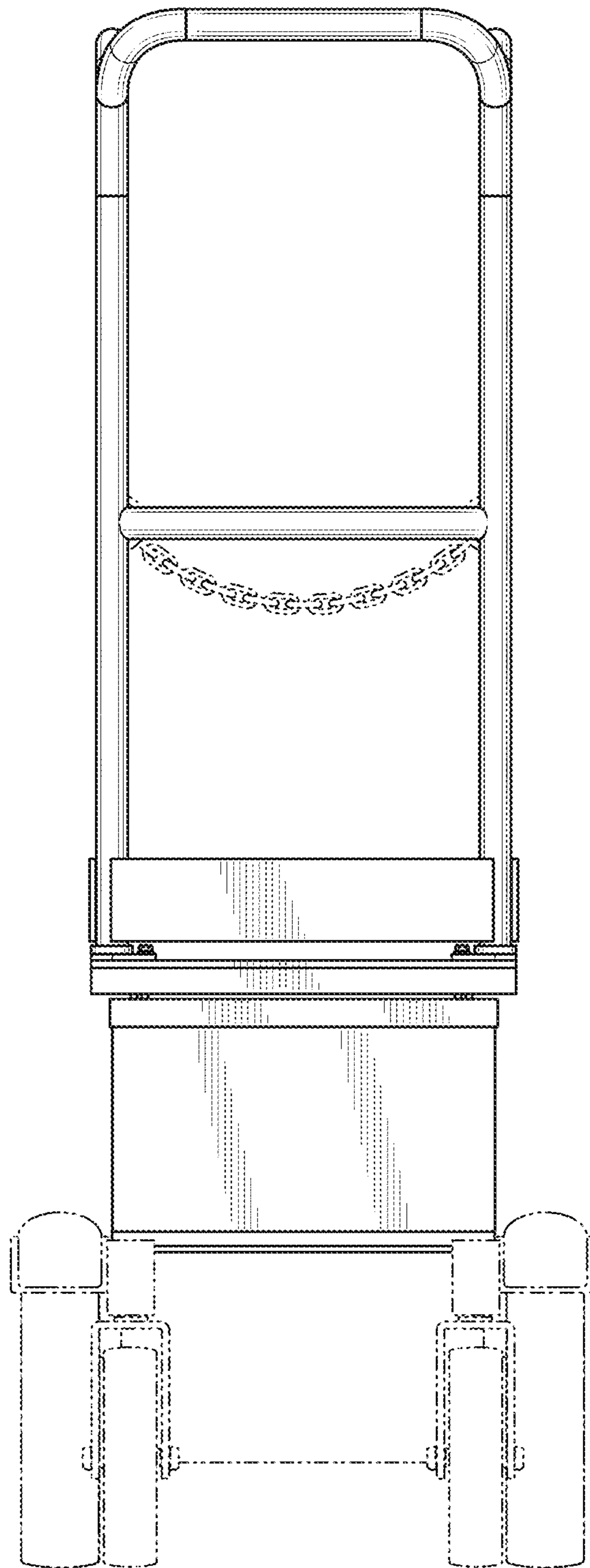


FIG. 2

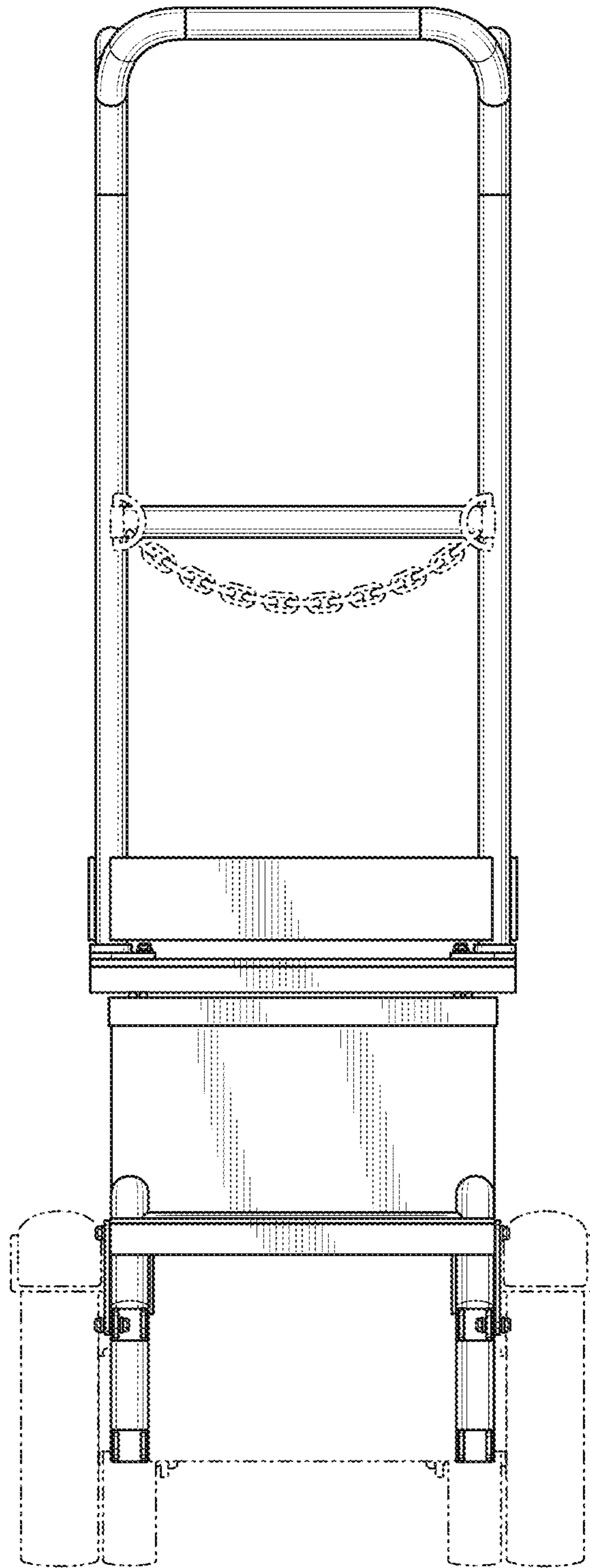


FIG. 3

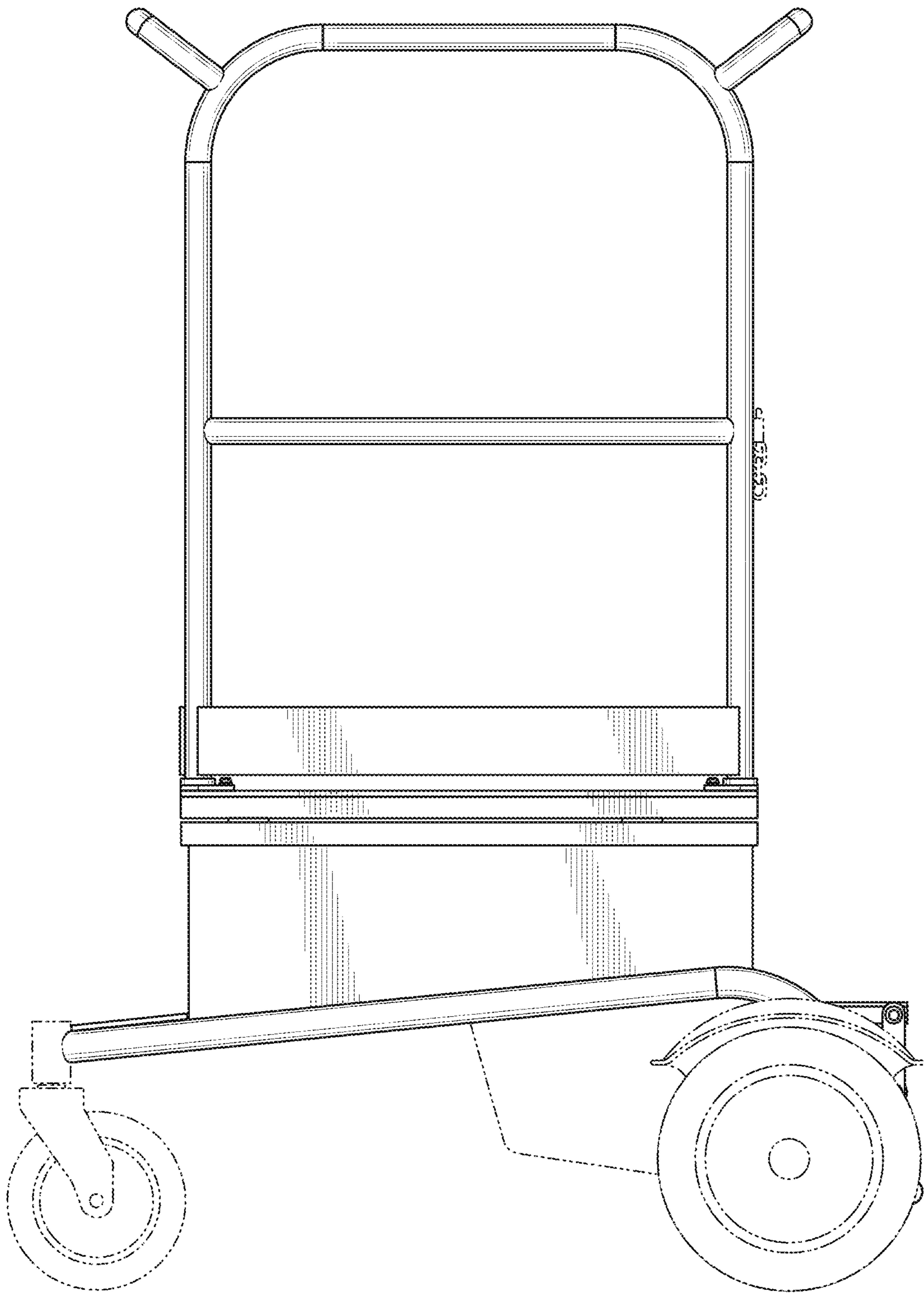


FIG. 4

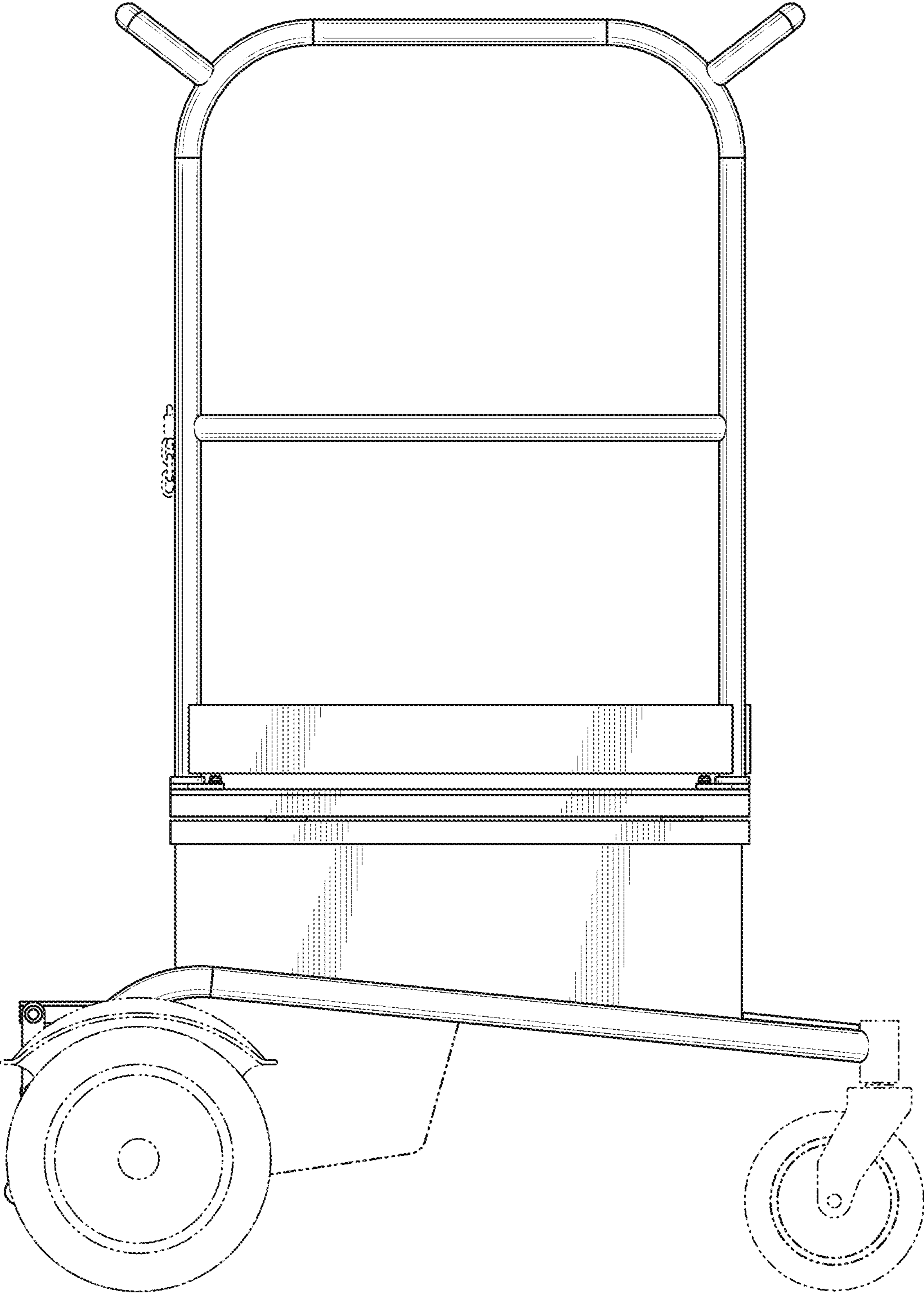


FIG. 5

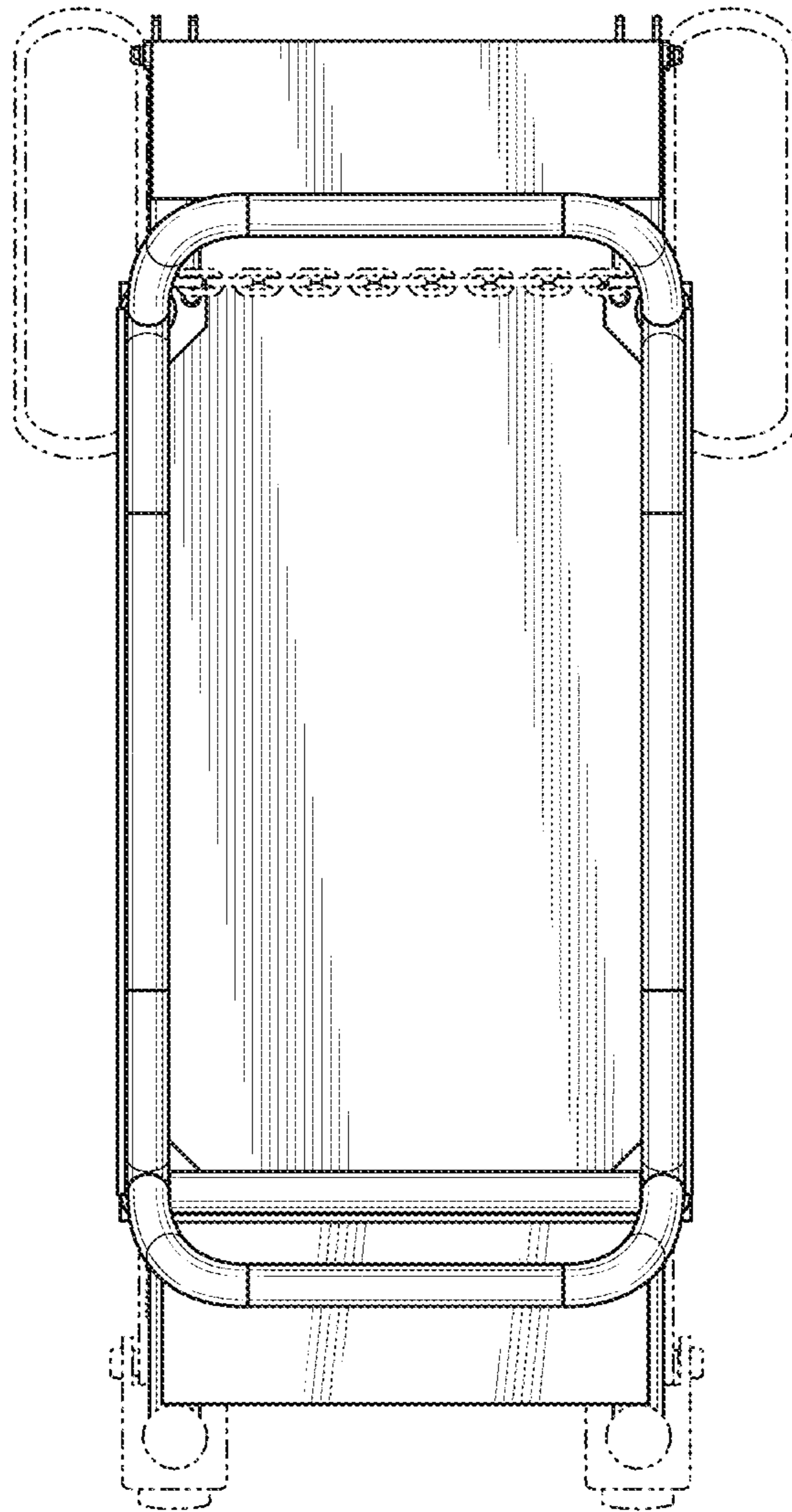


FIG. 6

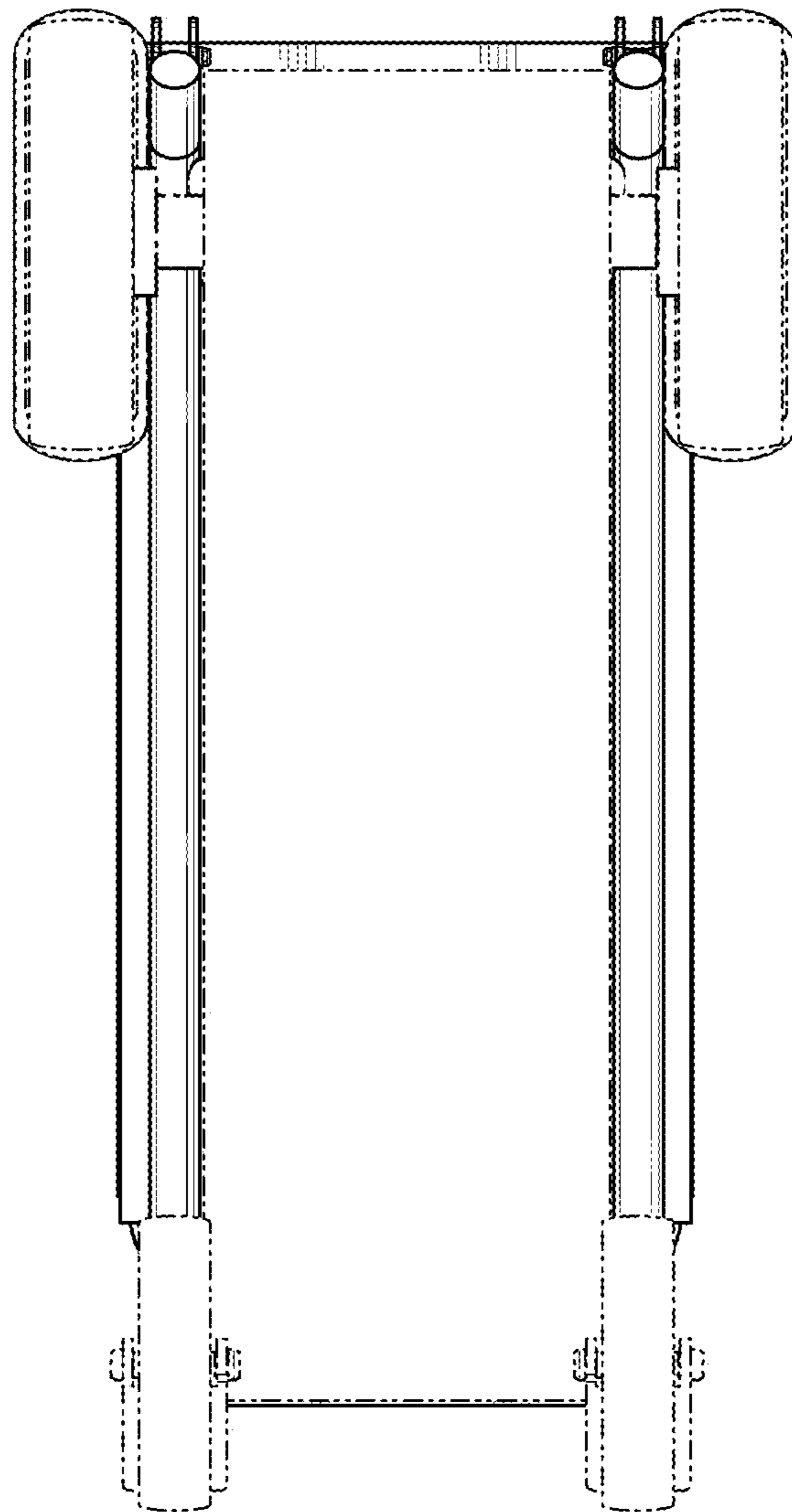


FIG. 7

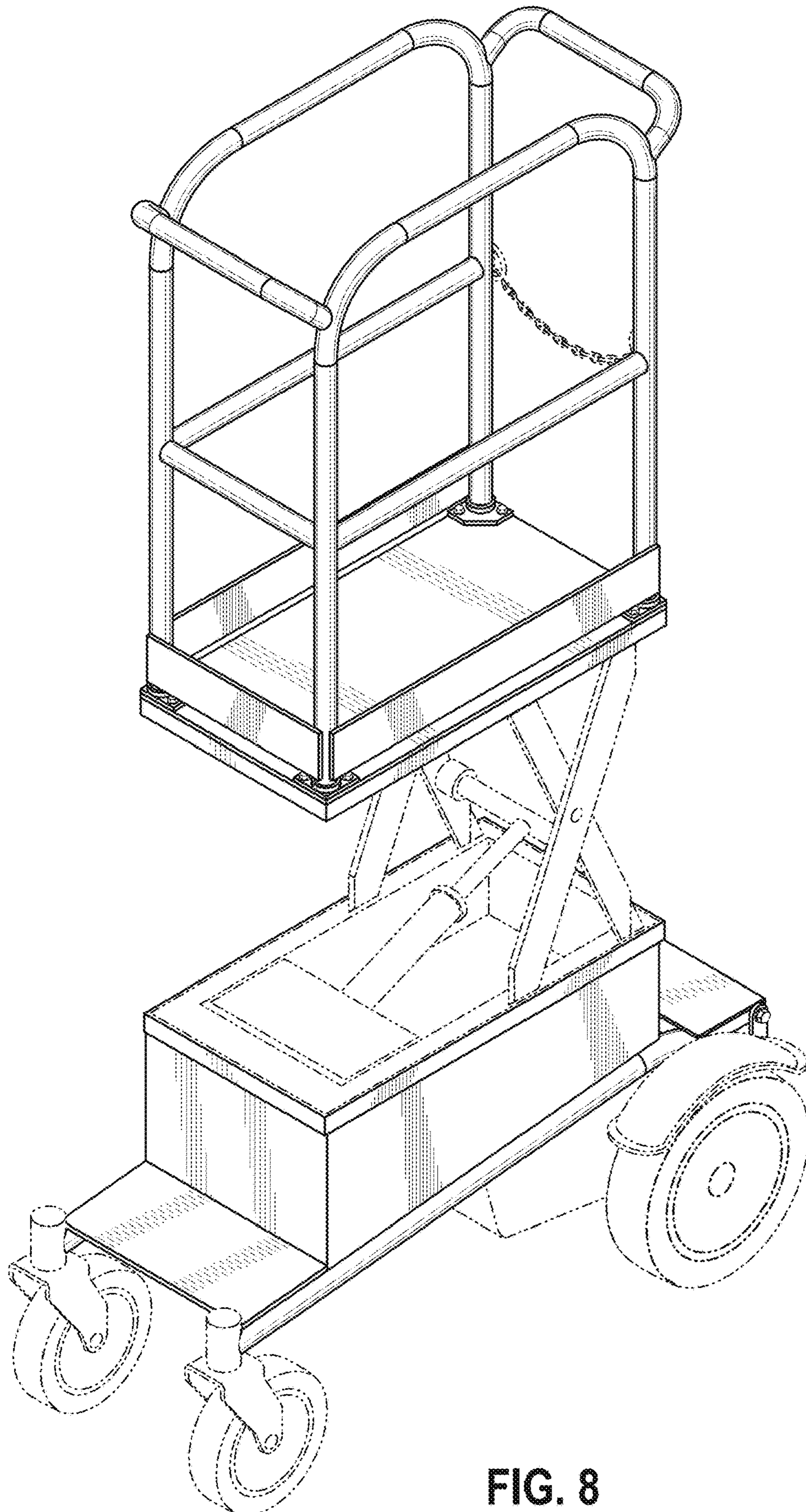


FIG. 8

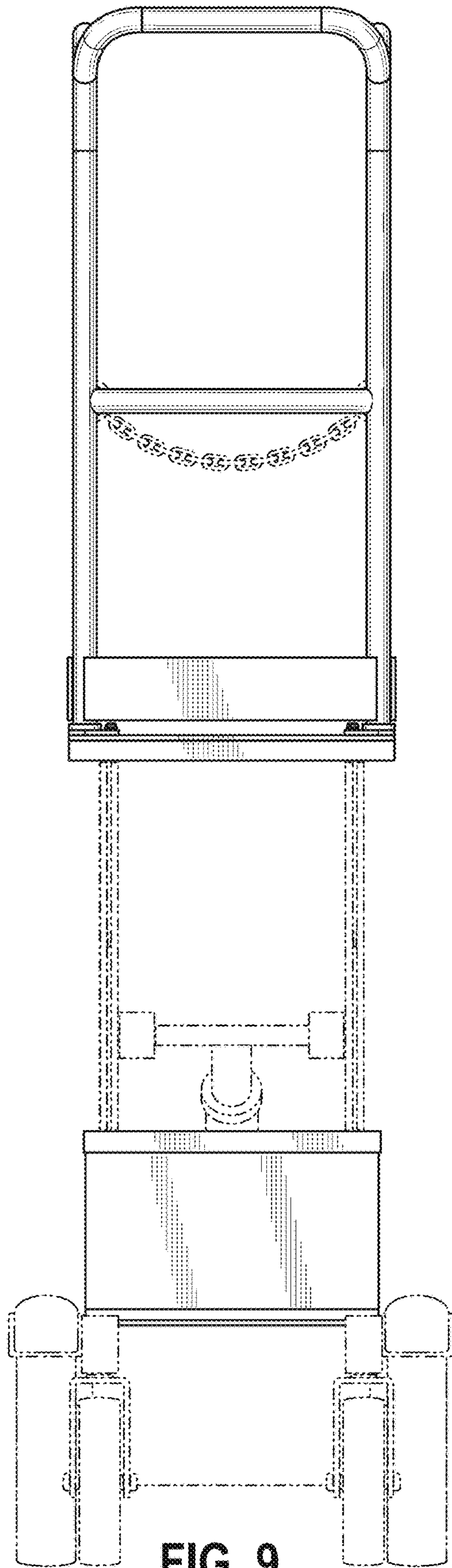
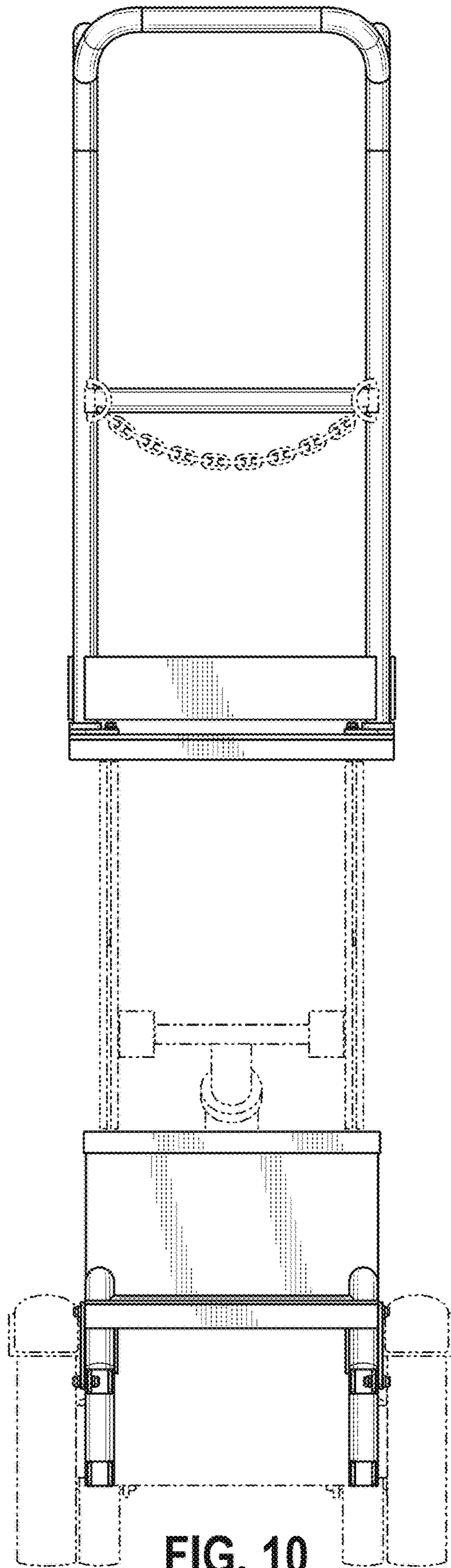


FIG. 9



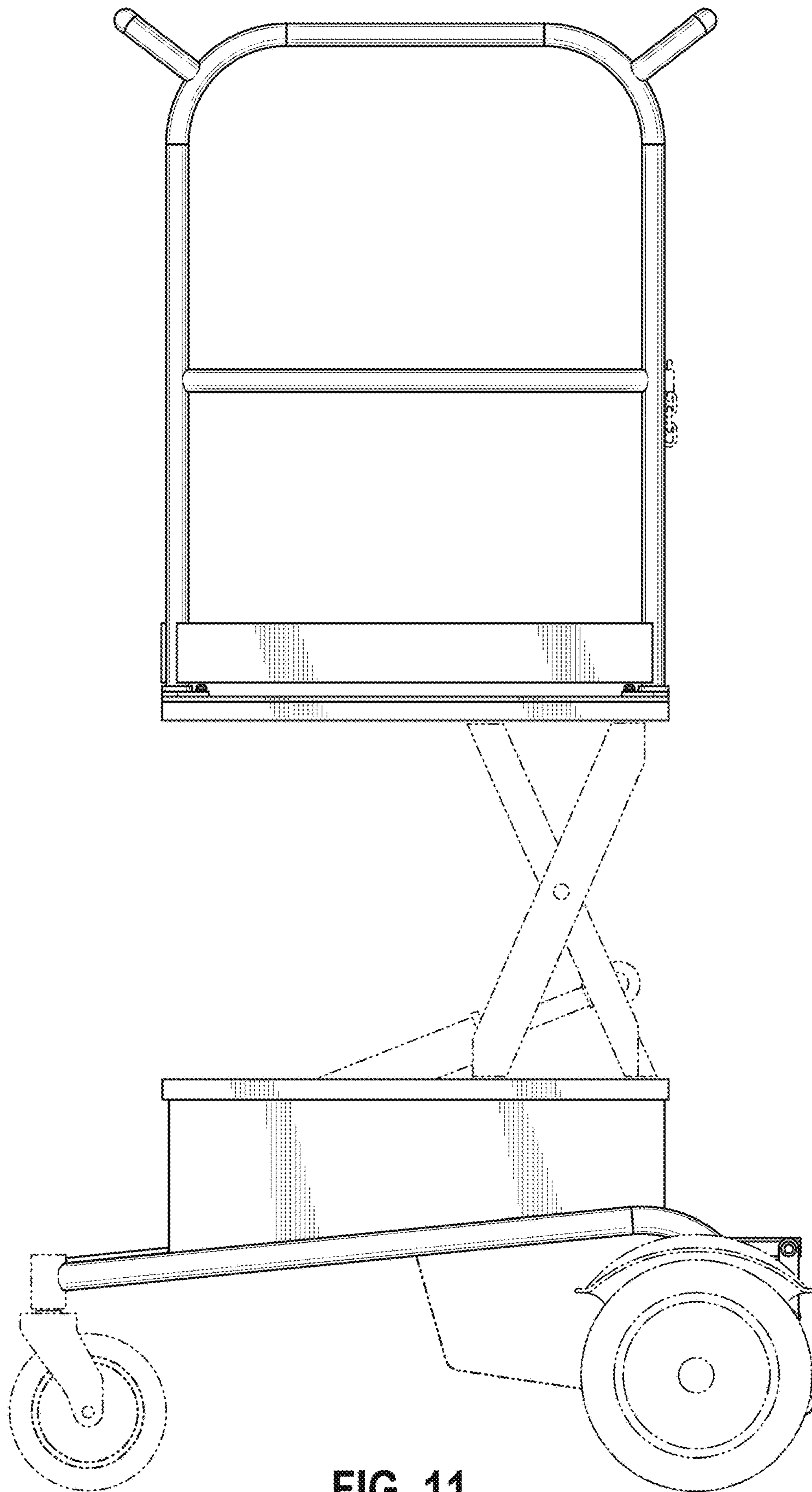


FIG. 11

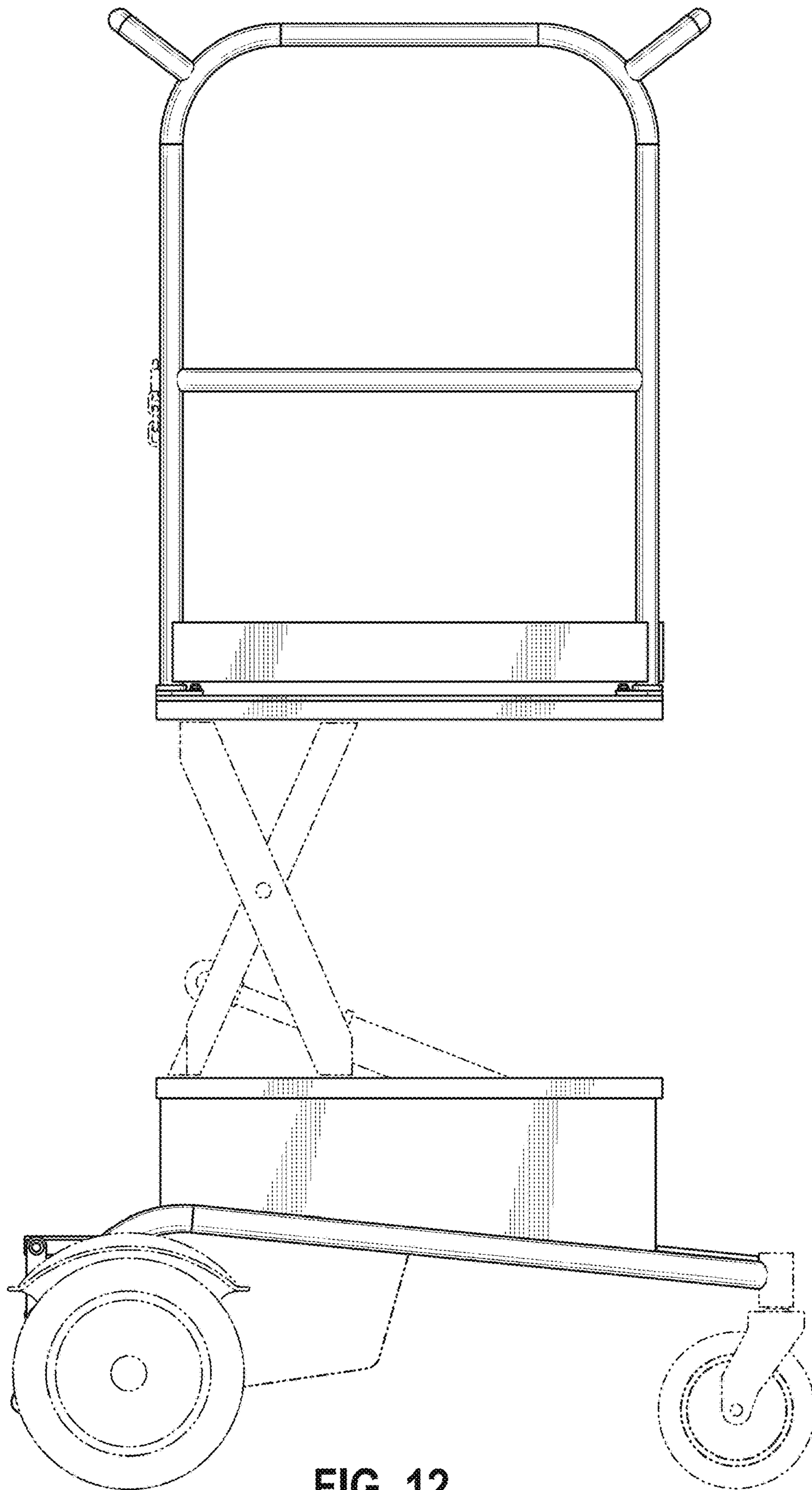


FIG. 12

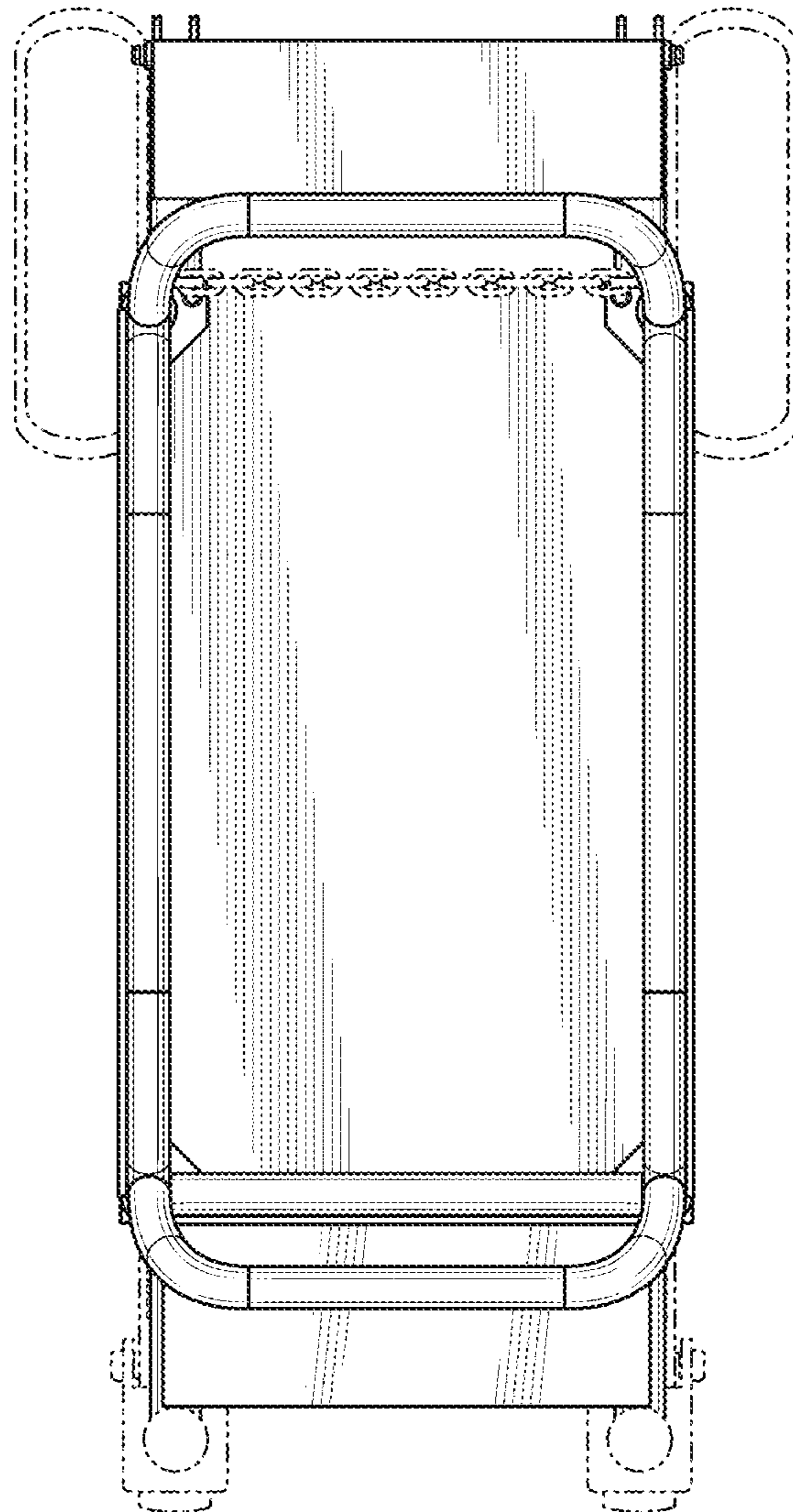


FIG. 13

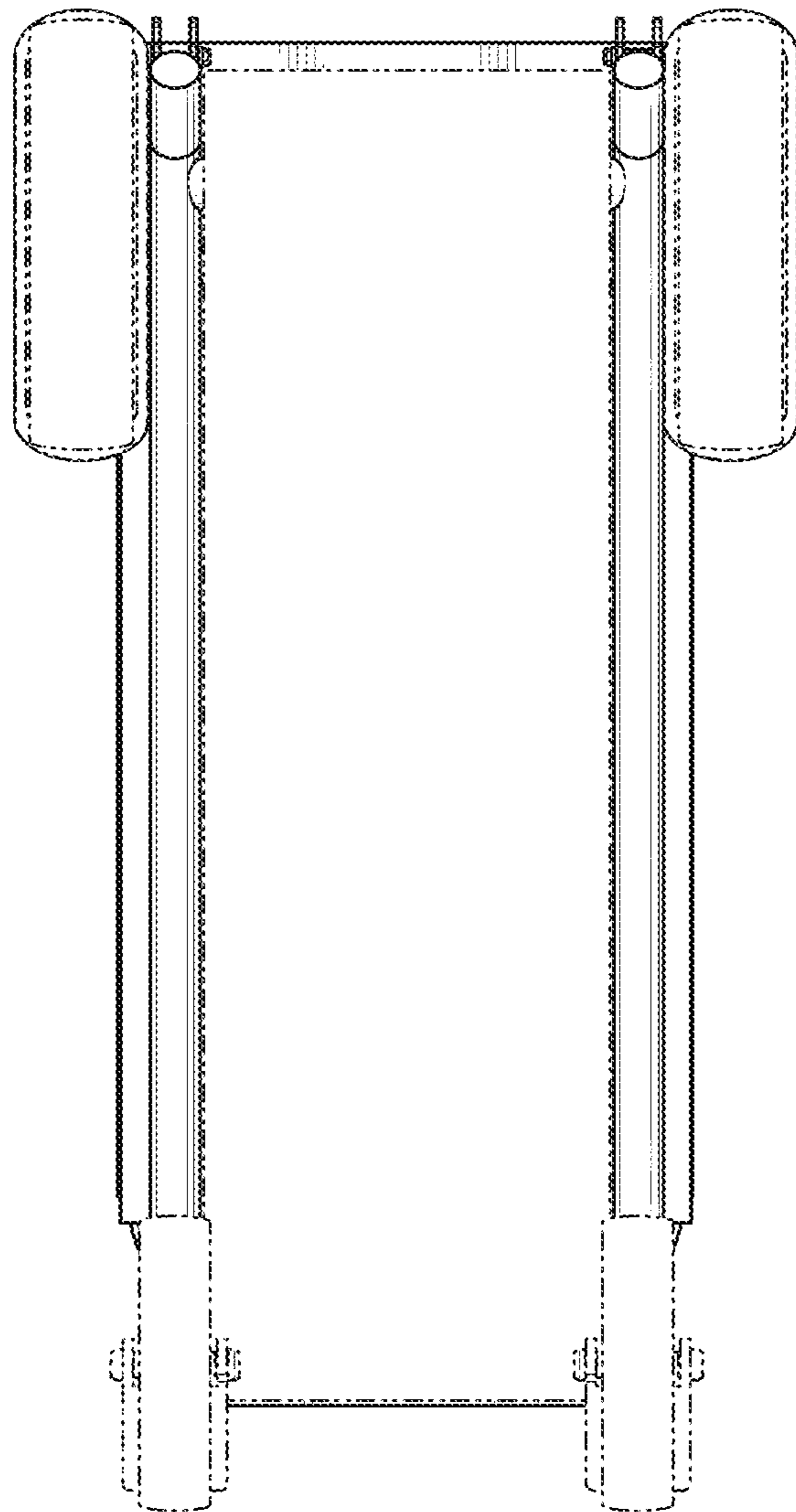


FIG. 14