



US00D939587S

(12) **United States Design Patent** (10) **Patent No.:** **US D939,587 S**
Hsiao (45) **Date of Patent:** **** Dec. 28, 2021**

(54) **AIR COMPRESSOR**

(71) Applicant: **FUSIN INDUSTRIAL CO., LTD.,**
Yunlin Hsien (TW)

(72) Inventor: **Yu-Chun Hsiao,** Yunlin Hsien (TW)

(73) Assignee: **FUSIN INDUSTRIAL CO.. LTD.,**
Yunlin Hsien (TW)

(**) Term: **15 Years**

(21) Appl. No.: **29/748,842**

(22) Filed: **Sep. 1, 2020**

(51) **LOC (13) Cl.** **15-02**

(52) **U.S. Cl.**
USPC **D15/9; D15/7**

(58) **Field of Classification Search**
USPC D13/103, 107; D15/7-9, 33; D23/210,
D23/225, 231, 232; D34/12, 17, 18, 20,
D34/24, 26, 27; D8/303; D30/109
CPC F04B 41/00; F04B 41/02; F04B 41/04;
F04B 41/06; F04B 35/00; F04B 35/06;
F04B 35/002; F04B 35/86; F04B 31/00;
F04B 49/00; F04B 25/00; F04B 25/005;
F04B 25/02; F04B 25/04; F04B 17/03;
F04B 17/06; F04B 33/005; F04B 33/00;
F04B 33/02

See application file for complete search history.

(56) **References Cited**

U.S. PATENT DOCUMENTS

D498,244 S * 11/2004 Chen D15/7
D534,287 S * 12/2006 Krieger D26/38
D604,746 S * 11/2009 Nishido D15/7
D662,517 S * 6/2012 Hawkins D15/9
D664,996 S * 8/2012 Hsiao D15/9
D668,267 S * 10/2012 Hawkins D15/7
D806,135 S * 12/2017 Wood D15/9
D806,755 S * 1/2018 Wood D15/9

D930,043 S * 9/2021 Hsiao D15/9
2005/0196290 A1 * 9/2005 Hu F04B 35/06
417/234
2009/0226333 A1 * 9/2009 Hsiao F04B 35/06
417/234
2010/0290929 A1 * 11/2010 Ohi F04B 41/02
417/360

OTHER PUBLICATIONS

Rolair, 2.5HP 5.3 Gal. Portable Oil-Lubricated Air Compressor, (site visited Oct. 5, 2021), Grainger Supply, URL:<<https://www.grainger.com/product/26JY36>> (Year: 2021).
Rolair, 2.5HP 5.3 Gal. Portable Oil-Lubricated Air Compressor, (first available Feb. 28, 2011), Amazon.com, URL:<<https://www.amazon.com/Rolair-VT25BIG-Compressor-Overload-Protection/dp/B004PZABIC>> (Year: 2011).*

* cited by examiner

Primary Examiner — Sheryl Lane
Assistant Examiner — Mark T. Philipps

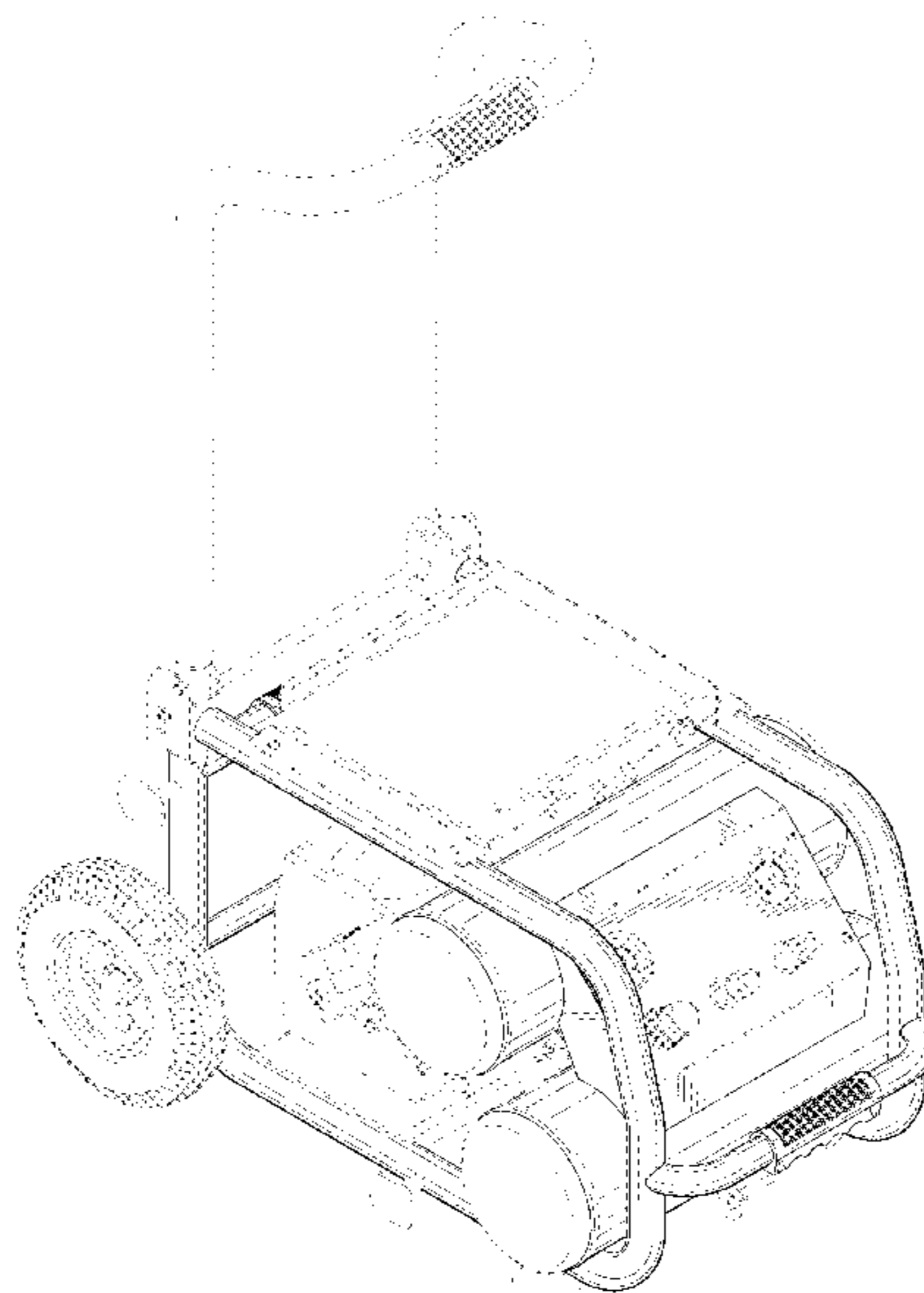
(57) **CLAIM**

The ornamental design for an air compressor, as shown and described.

DESCRIPTION

FIG. 1 is a perspective view of an air compressor showing my new design;
FIG. 2 is a front elevational view thereof;
FIG. 3 is a rear elevational view thereof;
FIG. 4 is a left side elevational view thereof;
FIG. 5 is a right side elevational view thereof;
FIG. 6 is a top plan view thereof; and,
FIG. 7 is a bottom plan view thereof.
The broken lines depict portions of the air compressor in which the design is embodied that form no part of the claimed design.

1 Claim, 7 Drawing Sheets



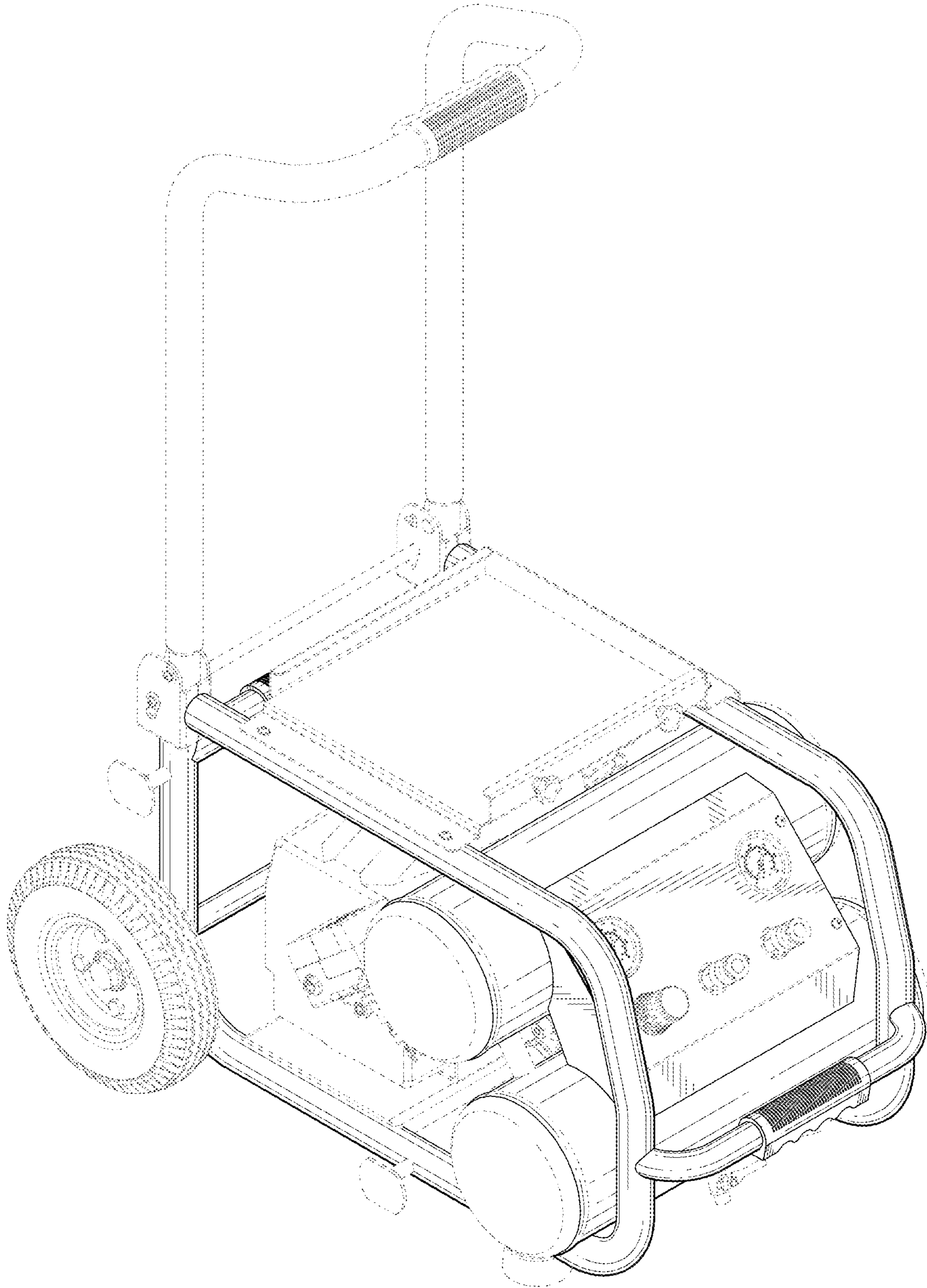


FIG.1

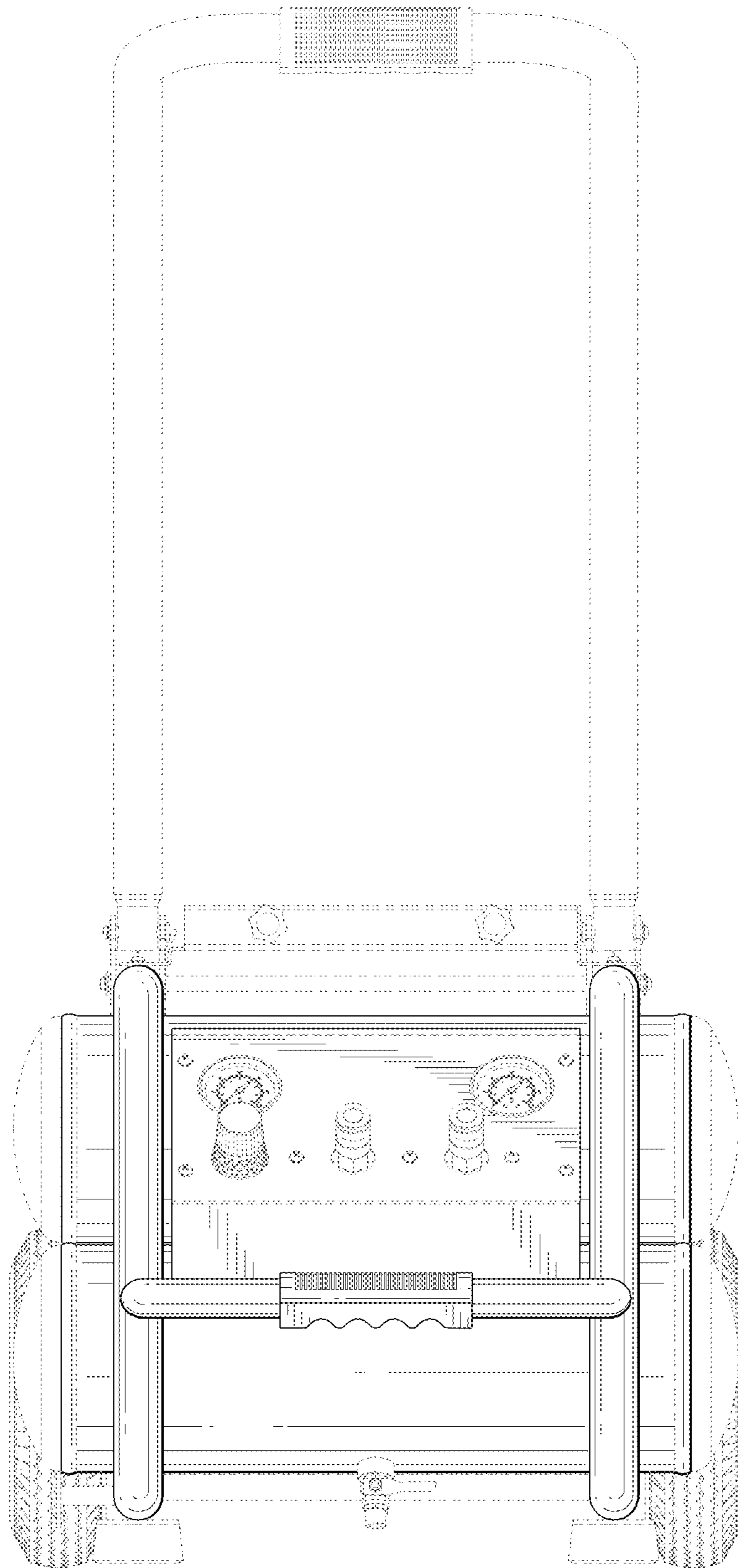


FIG. 2

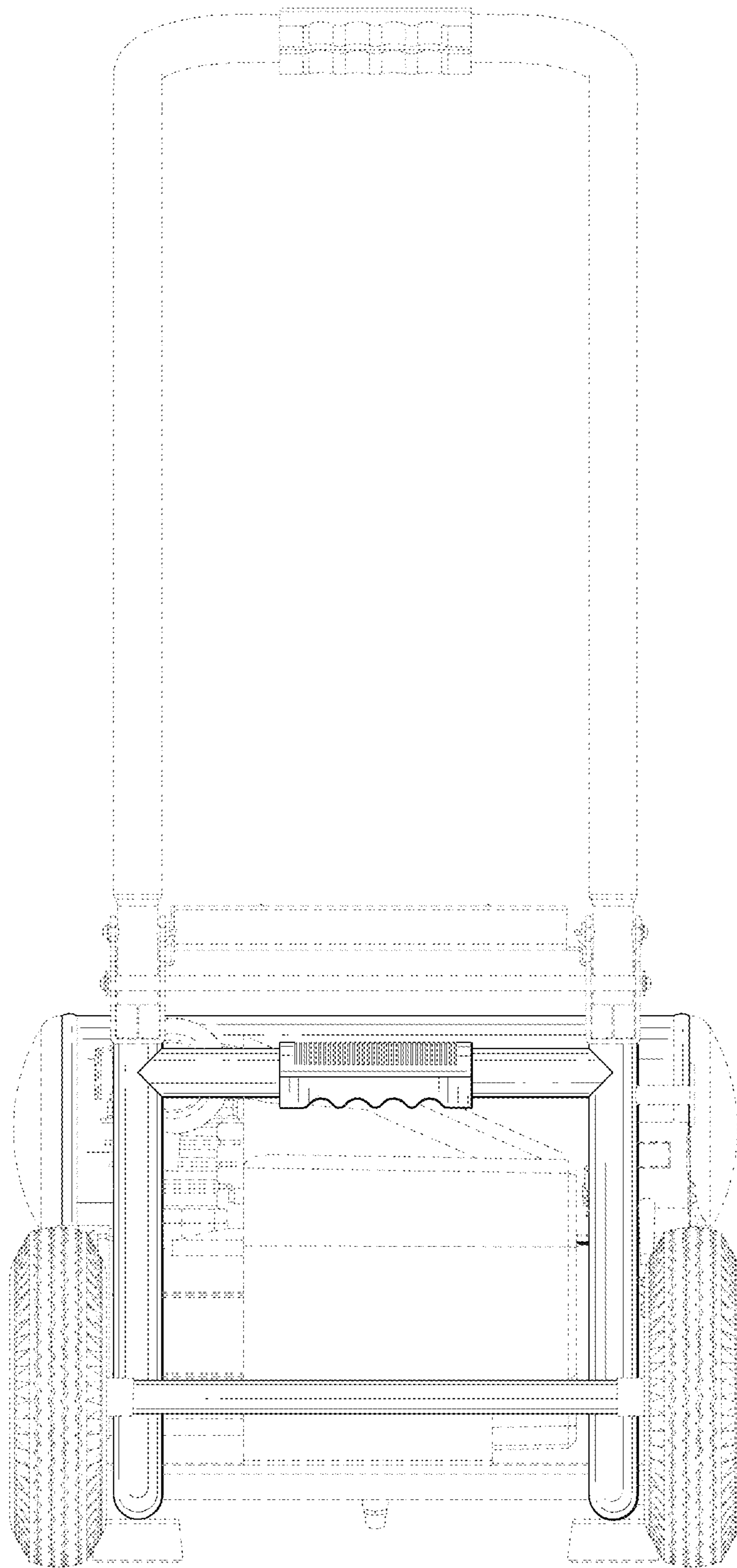


FIG.3

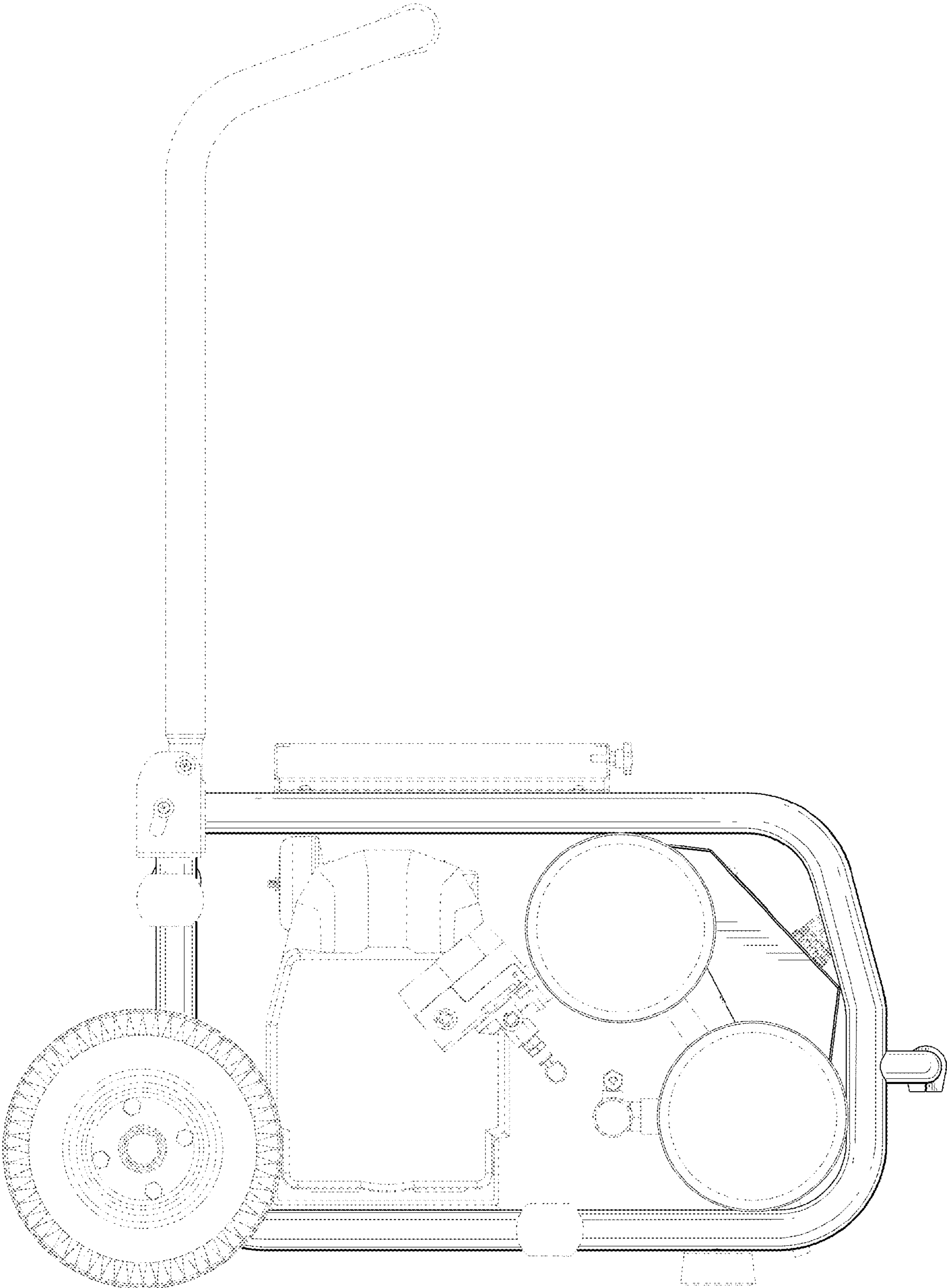


FIG.4

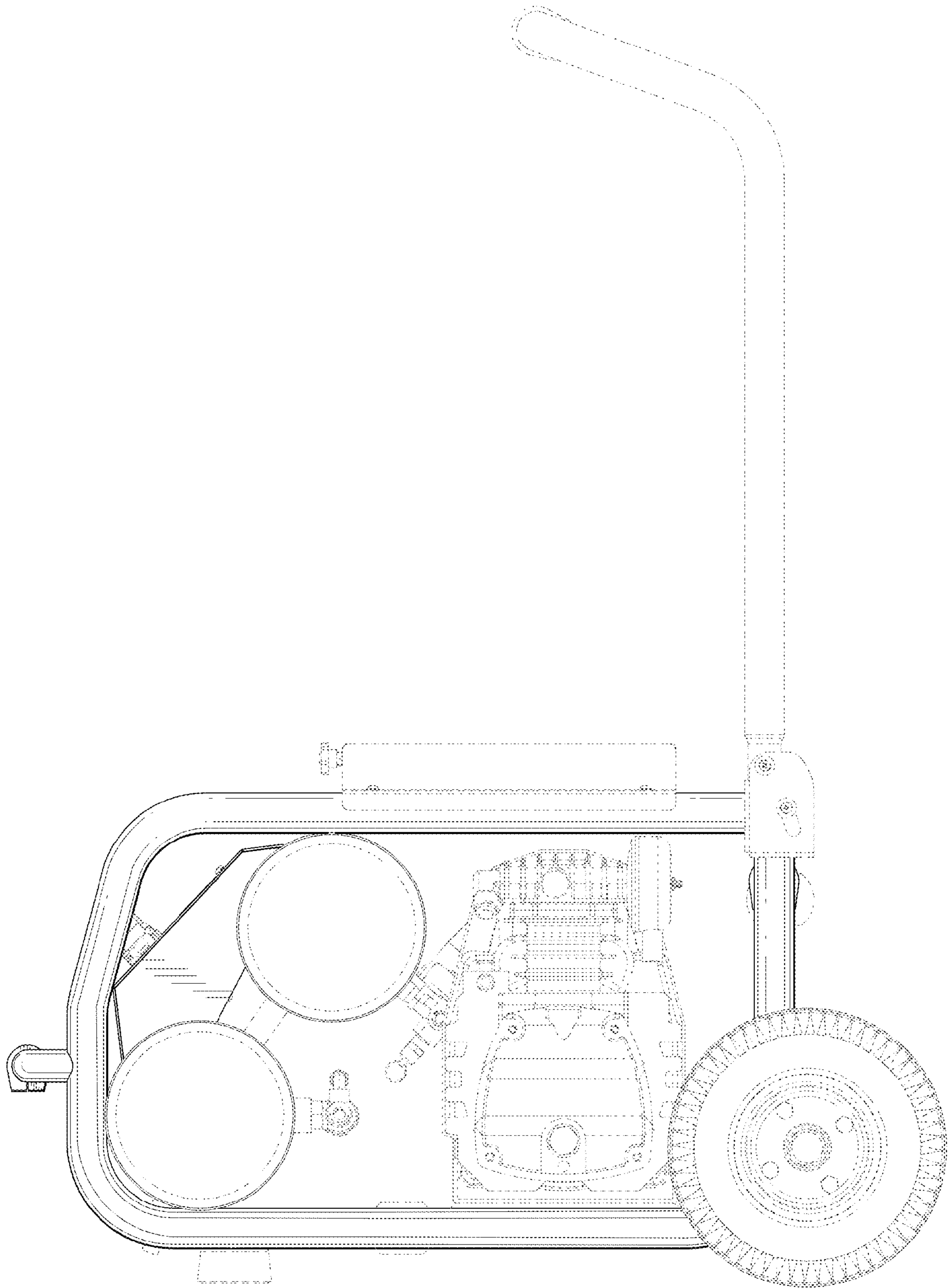


FIG.5

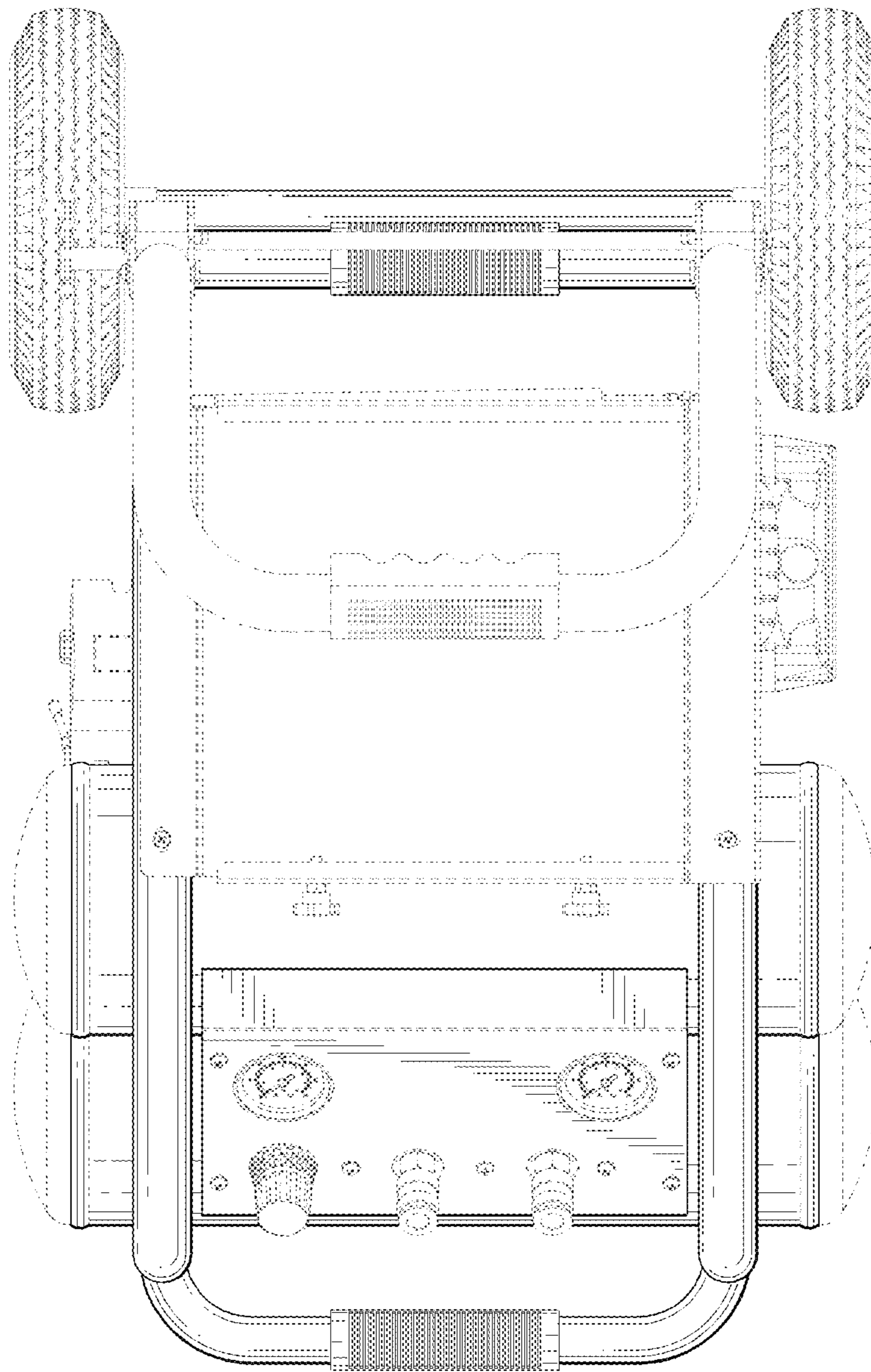


FIG.6

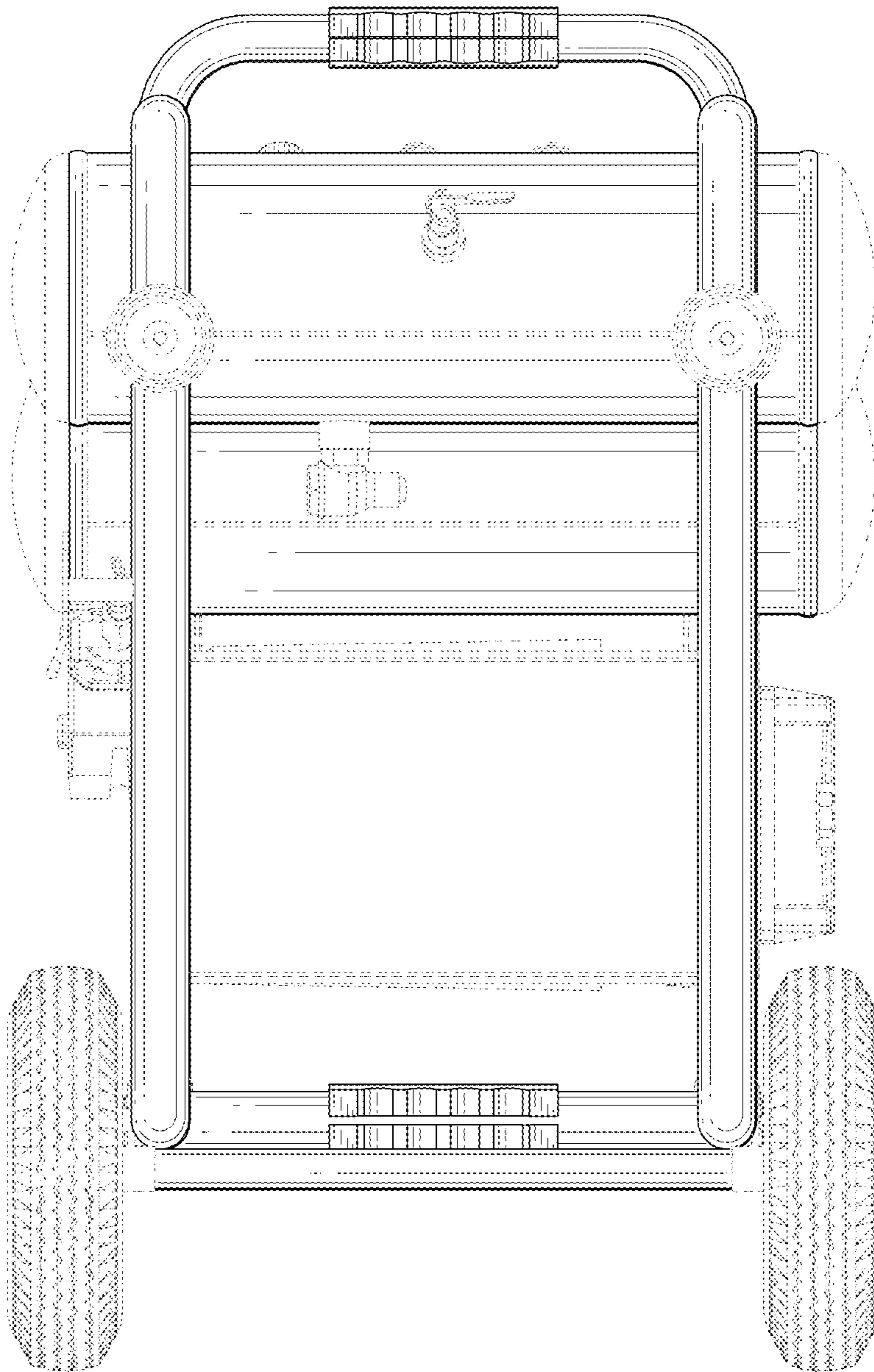


FIG. 7