



US00D939586S

(12) **United States Design Patent** (10) **Patent No.:** **US D939,586 S**
Hsiao (45) **Date of Patent:** **** Dec. 28, 2021**

(54) **AIR COMPRESSOR**

(71) Applicant: **FUSIN INDUSTRIAL CO., LTD.,**
Yunlin Hsien (TW)

(72) Inventor: **Yu-Chun Hsiao,** Yunlin Hsien (TW)

(73) Assignee: **FUSIN INDUSTRIAL CO., LTD.,**
Yunlin Hsien (TW)

(**) Term: **15 Years**

(21) Appl. No.: **29/748,840**

(22) Filed: **Sep. 1, 2020**

(51) **LOC (13) Cl.** **15-02**

(52) **U.S. Cl.**
USPC **D15/9; D15/7**

(58) **Field of Classification Search**
USPC D13/103, 107; D15/7-9, 33; D23/210,
D23/225, 231, 232; D34/12, 17, 18, 20,
D34/24, 26, 27; D8/303; D30/109
CPC F04B 41/00; F04B 41/02; F04B 41/04;
F04B 41/06; F04B 35/00; F04B 35/06;
F04B 35/002; F04B 35/86; F04B 31/00;
F04B 49/00; F04B 25/00; F04B 25/005;
F04B 25/02; F04B 25/04; F04B 17/03;
F04B 17/06; F04B 33/005; F04B 33/00;
F04B 33/02

See application file for complete search history.

(56) **References Cited**

U.S. PATENT DOCUMENTS

- D200,401 S * 2/1965 Olsen D34/18
- D444,796 S * 7/2001 Morgan D15/9
- 6,375,437 B1 * 4/2002 Nolan F04B 35/06
137/248
- D498,244 S * 11/2004 Chen D15/7
- D499,431 S * 12/2004 Chen D15/9
- D512,479 S * 12/2005 Hsiao D23/202
- D534,287 S * 12/2006 Krieger D26/38
- D553,158 S * 10/2007 Caito D15/9

- D562,851 S * 2/2008 Leasure D15/9
- D579,462 S * 10/2008 Leasure D15/7
- D589,065 S * 3/2009 Leasure D15/9
- D680,555 S * 4/2013 Craig D15/7
- D680,556 S * 4/2013 Craig D15/7
- D710,902 S * 8/2014 Vintzel D15/9

(Continued)

OTHER PUBLICATIONS

Makita, MAC2400 2.5 HP Big Bore Air Compressor, (first available Mar. 1, 2004), Amazon.com, URL:<<https://www.amazon.com/Makita-MAC2400-Big-Bore-Compressor/dp/B0001Q2VPK>> (Year: 2004).*

(Continued)

Primary Examiner — Sheryl Lane
Assistant Examiner — Mark T. Philipps

(57) **CLAIM**

The ornamental design for an air compressor, as shown and described.

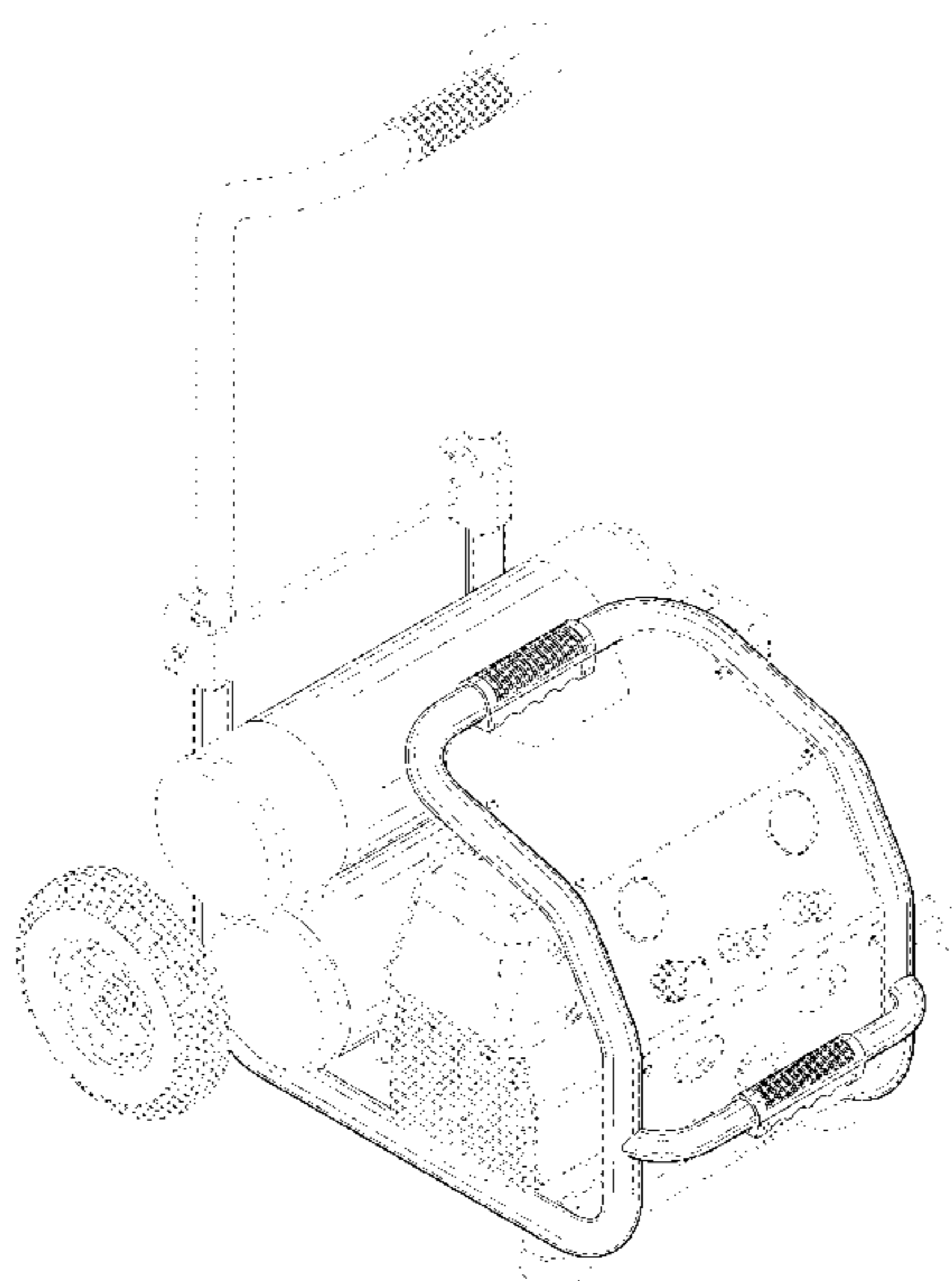
DESCRIPTION

FIG. 1 is a perspective view of an air compressor showing my new design;
FIG. 2 is a front elevational view thereof;
FIG. 3 is a rear elevational view thereof;
FIG. 4 is a left side elevational view thereof;
FIG. 5 is a right side elevational view thereof;
FIG. 6 is a top plan view thereof;
FIG. 7 is a bottom plan view thereof; and,
FIG. 8 is a perspective view of a variation of the air compressor.

The evenly-dotted broken lines depict portions of an air compressor in which the design is embodied that form no part of the claimed design.

The dash-dotted broken lines are for defining the bounds of the claimed design only and form no part of the claimed design.

1 Claim, 8 Drawing Sheets



(56)

References Cited

U.S. PATENT DOCUMENTS

D806,753	S *	1/2018	Wood	D15/7
D806,755	S *	1/2018	Wood	D15/9
D809,237	S *	1/2018	Clement	D34/18
D854,585	S *	7/2019	Bindhammer	D15/9
D879,593	S *	3/2020	Boies	D8/359
D891,480	S *	7/2020	Vintzel	D15/9
D893,553	S *	8/2020	Vintzel	D15/9
D902,260	S *	11/2020	Vintzel	D15/9
D930,043	S *	9/2021	Hsiao	D15/9
2005/0196290	A1 *	9/2005	Hu	F04B 35/06 417/234
2006/0104836	A1 *	5/2006	Phillips	F04B 41/02 417/411
2010/0290929	A1 *	11/2010	Ohi	F04B 41/02 417/360
2016/0298618	A1 *	10/2016	Wood	F04B 35/06
2018/0320677	A1 *	11/2018	Thackery	F04B 41/02

OTHER PUBLICATIONS

PUMA Air Center, DP2505C 2.5HP 5-Gallon Oil-Lube Wheeled Portable Air Compressor, (published Sep. 2017), Pumaairusa.com website, URL:<<http://pumaairusa.com/downloads/Flyer/DP2505C-Flyer.pdf>> (Year: 2017).*

* cited by examiner

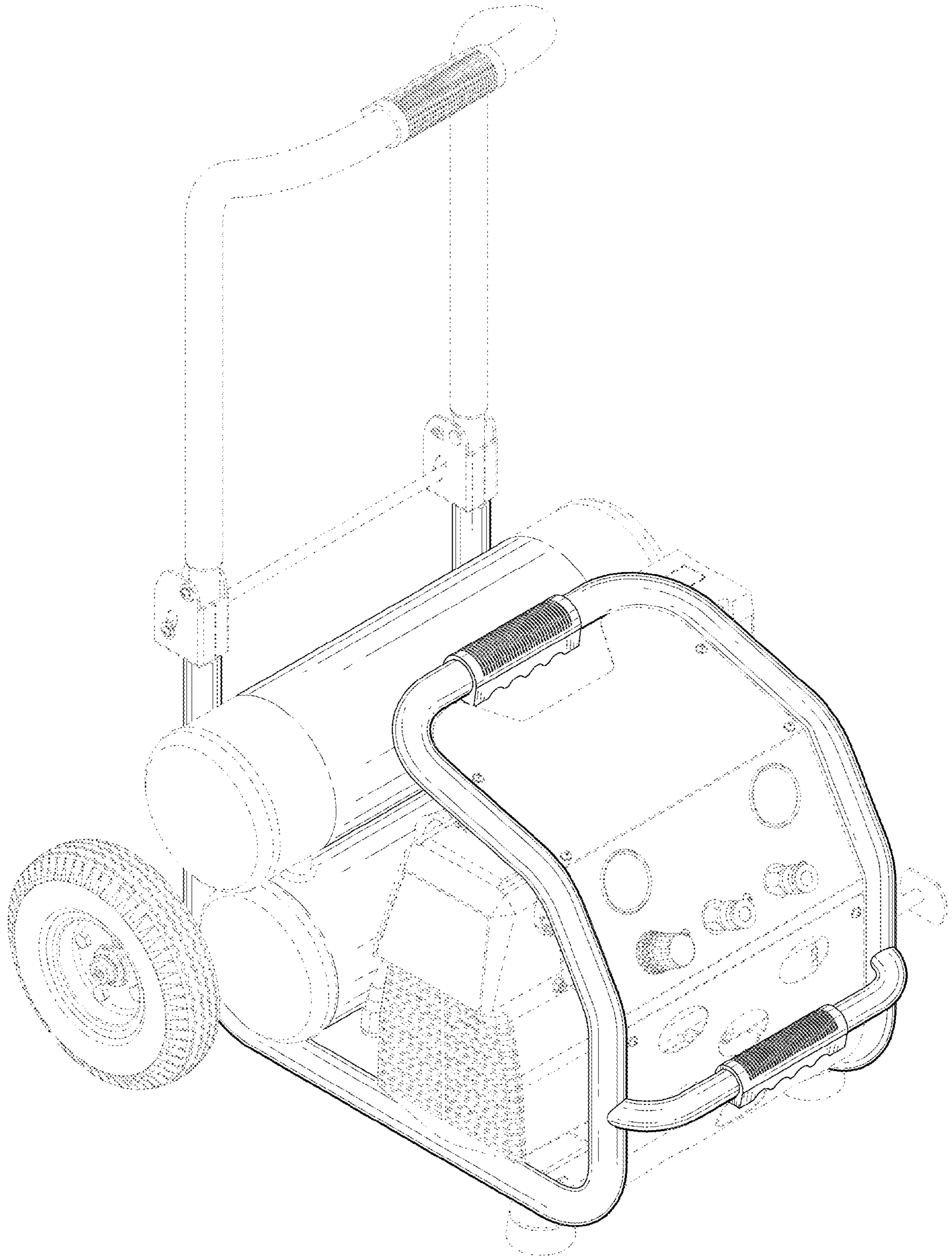


FIG.1

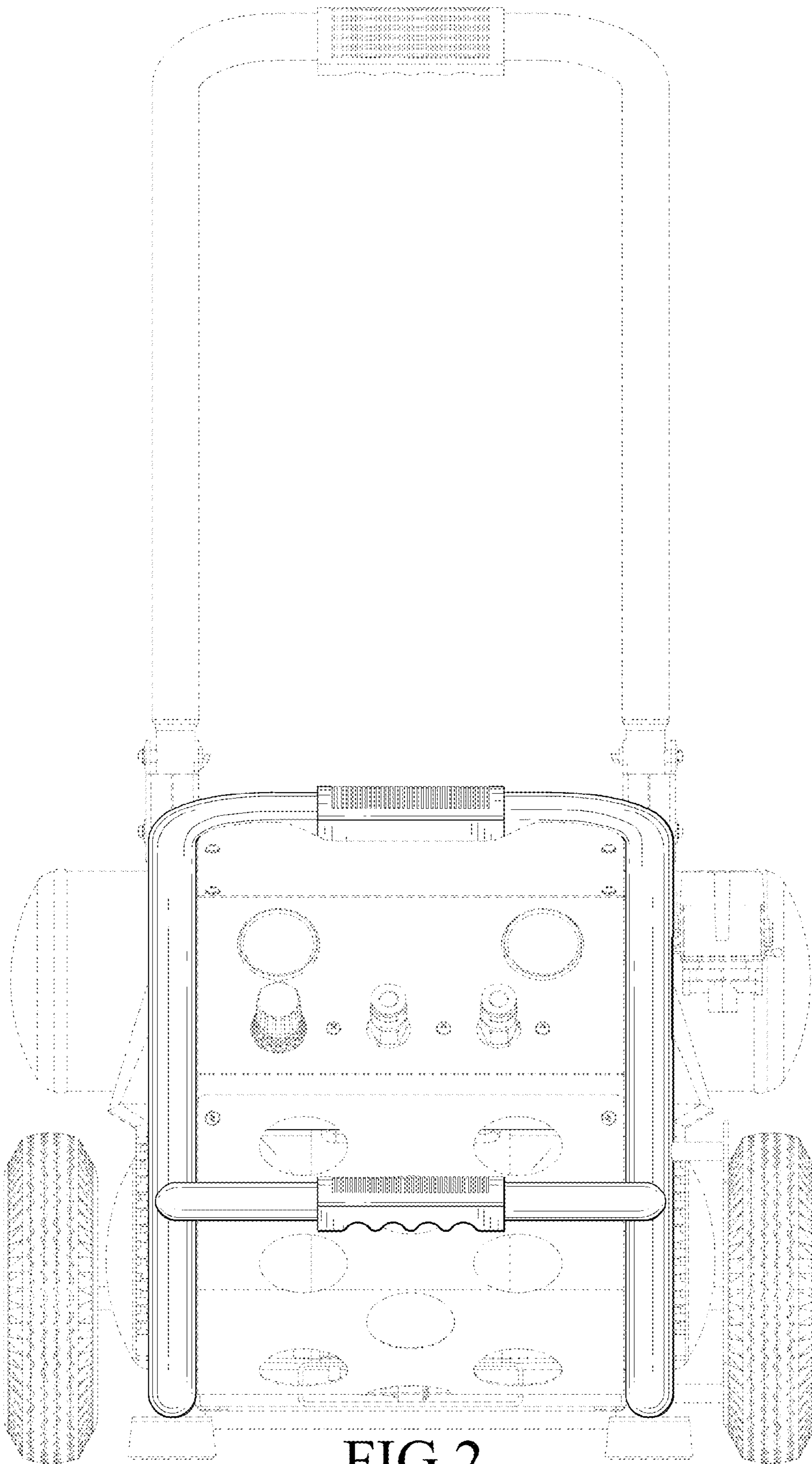


FIG.2

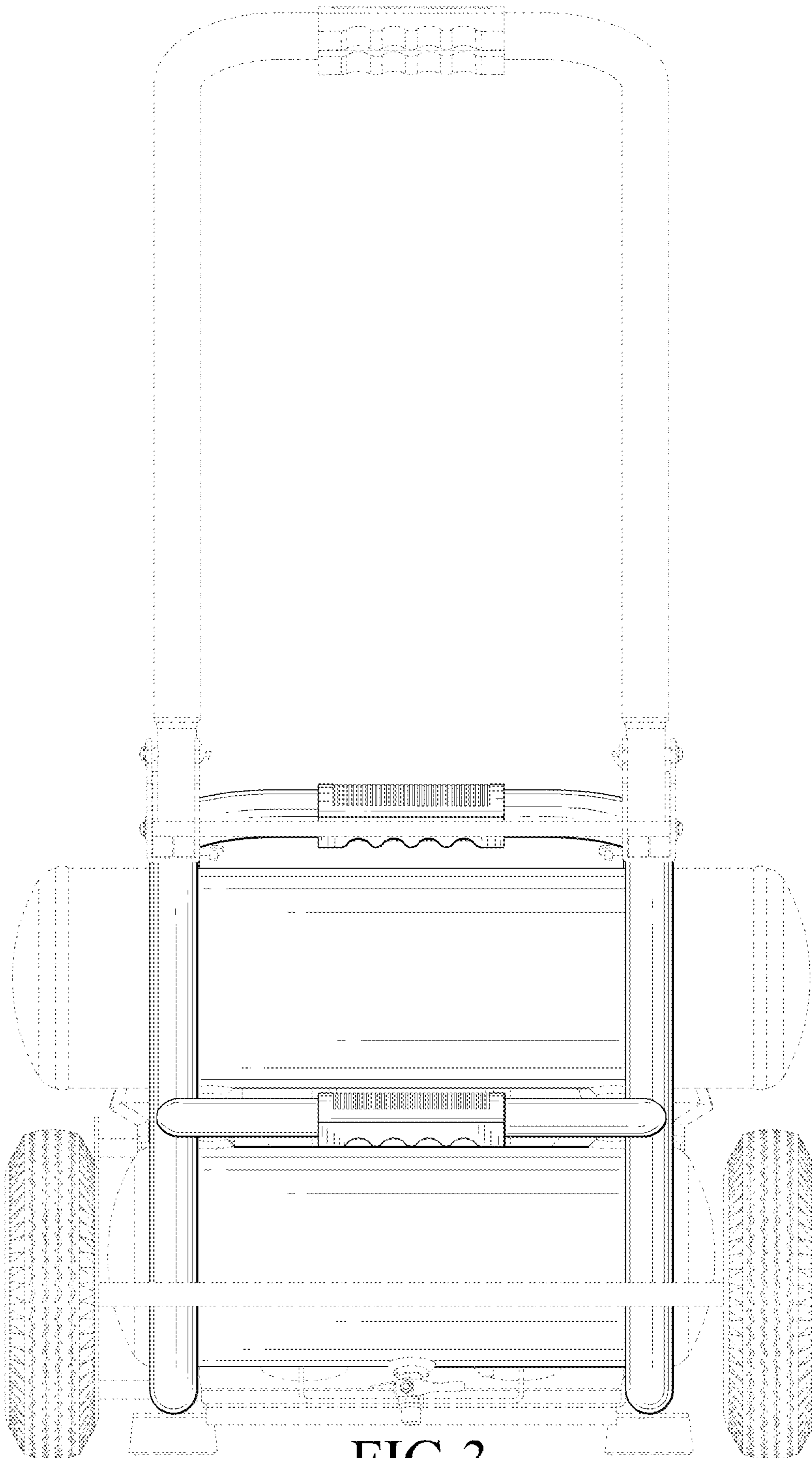


FIG.3

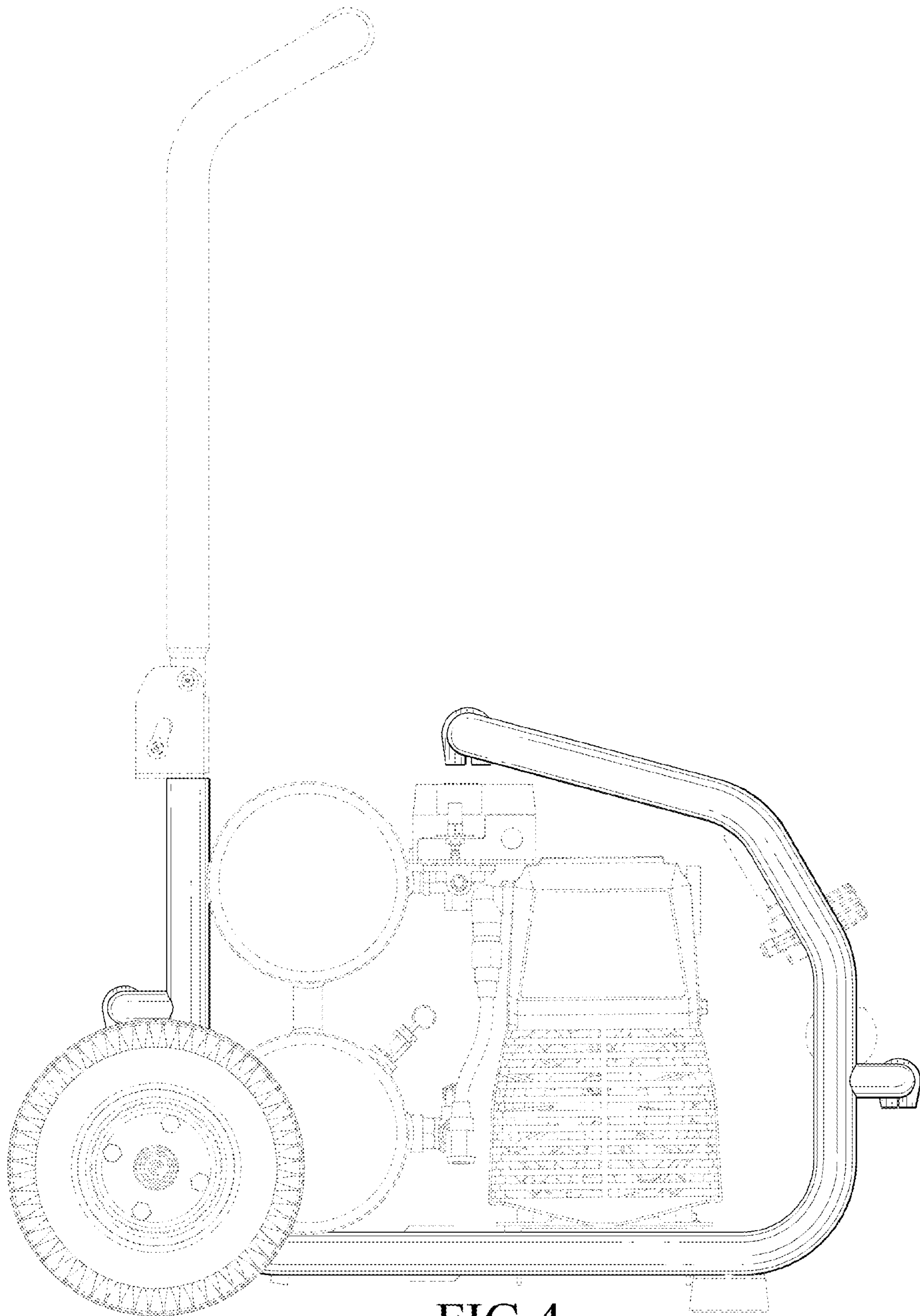


FIG.4

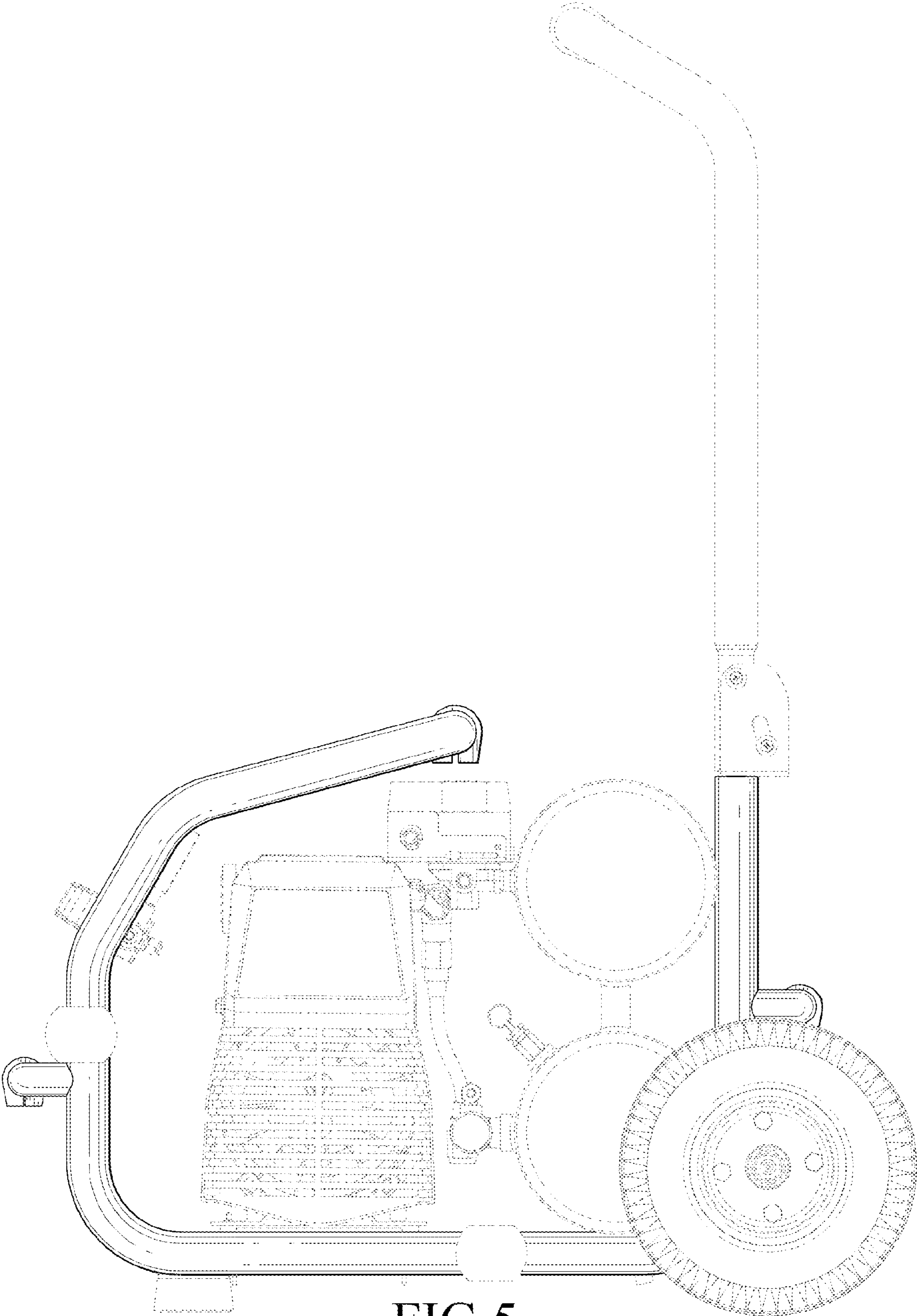


FIG.5

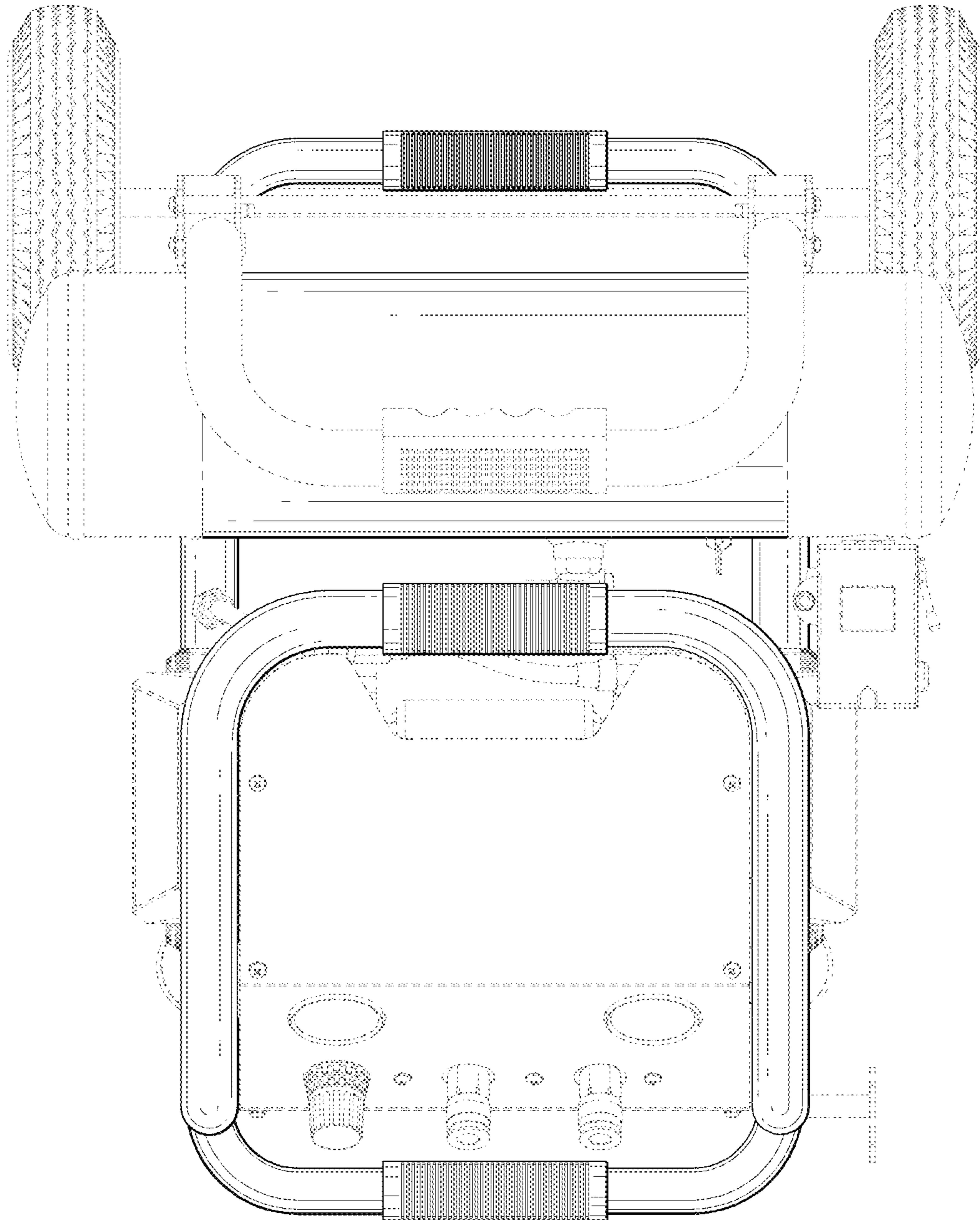


FIG.6

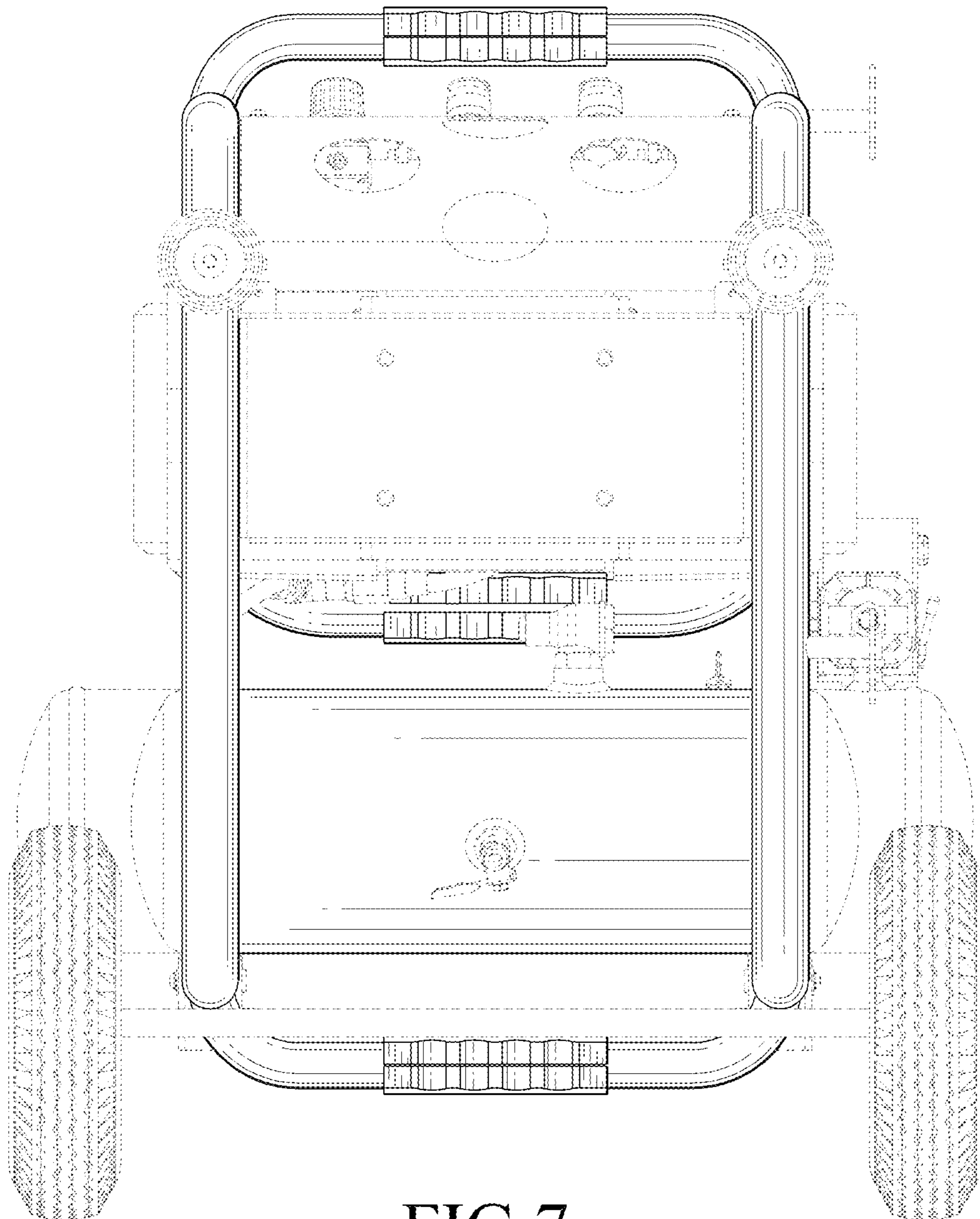


FIG. 7

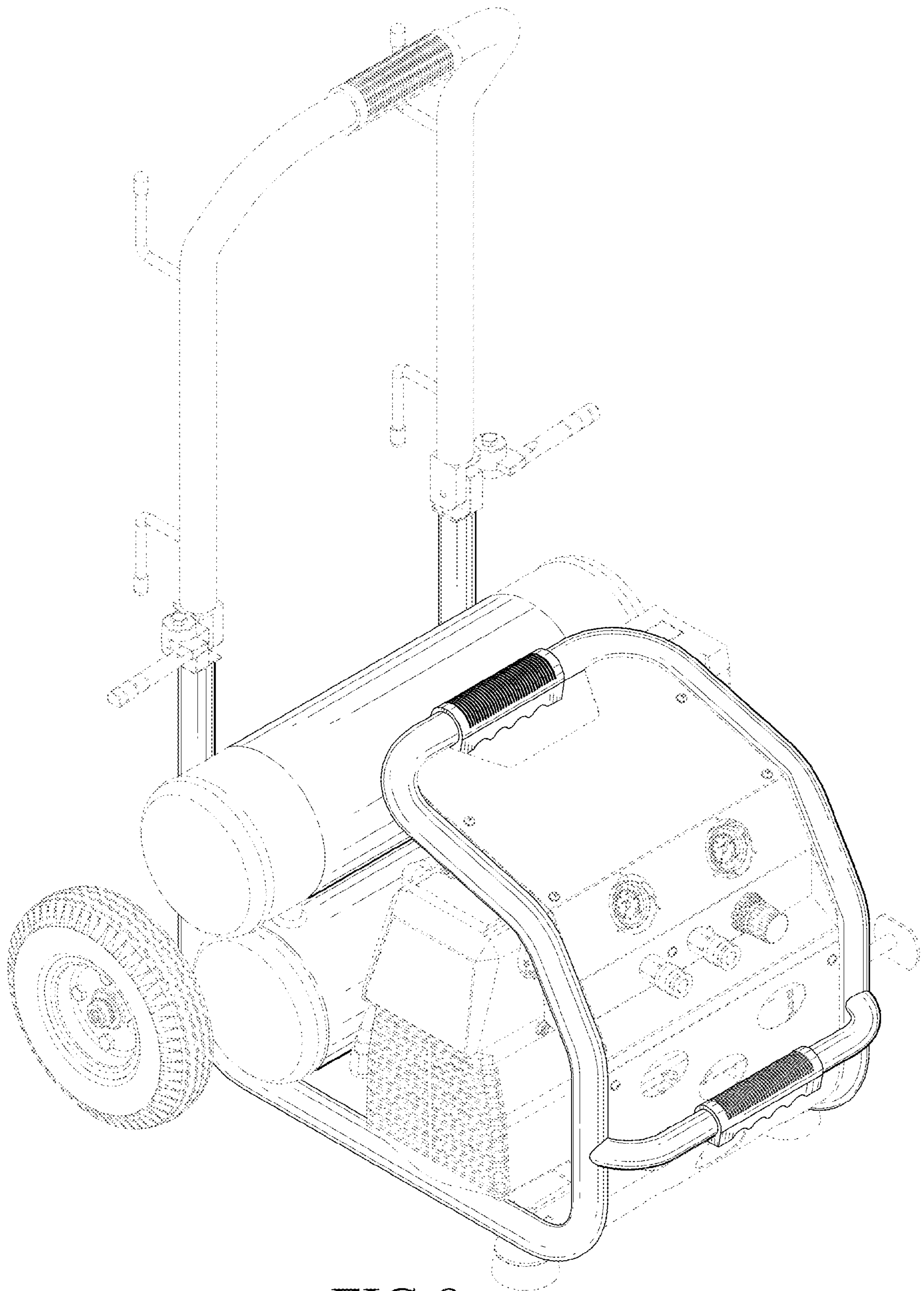


FIG.8