



US00D939585S

(12) **United States Design Patent**
Gao

(10) **Patent No.:** **US D939,585 S**

(45) **Date of Patent:** **** Dec. 28, 2021**

(54) **ELECTRIC PUMP**

(71) Applicant: **NANTONG GUANGXING
PNEUMATIC EQUIPMENT CO.,
LTD.**, Nantong (CN)

(72) Inventor: **Xuefeng Gao**, Tongzhou (CN)

(73) Assignee: **NANTONG GUANGXING
PNEUMATIC EQUIPMENT CO.,
LTD.**, Nantong (CN)

(**) Term: **15 Years**

(21) Appl. No.: **29/748,051**

(22) Filed: **Aug. 27, 2020**

(51) **LOC (13) Cl.** **15-02**

(52) **U.S. Cl.**
USPC **D15/7**

(58) **Field of Classification Search**
USPC D13/107, 112, 122, 159, 166; D32/69,
D32/70; D15/1, 3, 7-9, 144,
D15/144.1-144.2, 199; D23/206, 213,
D23/214, 225, 231, 232, 387, 421
CPC F04B 35/06; F04B 35/04; F04B 35/002;
F04C 18/16; F04C 18/34; F04C 29/0085;
F04C 2210/128; F04C 2210/147; F04C
2210/208; F04D 13/06; F04D 29/041;
F04D 29/22; F04D 29/60; F04D 29/60S
See application file for complete search history.

(56) **References Cited**

U.S. PATENT DOCUMENTS

D162,750 S * 4/1951 Polye et al. D10/47
D296,104 S * 6/1988 Hung D15/9
D300,035 S * 2/1989 Yuen D15/9
4,810,169 A * 3/1989 Kranzle B08B 3/026
239/152
D309,892 S * 8/1990 Troup D13/107
5,231,355 A * 7/1993 Rider G01V 3/08
324/326
D373,774 S * 9/1996 Chen D15/9

D416,030 S * 11/1999 Weller D15/144.1
6,496,008 B1 * 12/2002 Brune E21B 47/092
324/326
D512,442 S * 12/2005 Moser, III D15/9
D520,038 S * 5/2006 Ljungfeldt D15/144.1
D528,131 S * 9/2006 Wu D15/9
D529,926 S * 10/2006 Krieger D15/9
D538,739 S * 3/2007 Zheng D13/107
D549,735 S * 8/2007 Moser, III D15/9
D663,755 S * 7/2012 Schilter D15/144
D745,569 S * 12/2015 Robinson D15/7

(Continued)

OTHER PUBLICATIONS

GX, GX CS2 Portable PCP Air Compressor, (first date available
Sep. 16, 2019), Amazon.com website, URL:<<https://www.amazon.com/dp/B07XYRS15R/>> (Year: 2019).*

(Continued)

Primary Examiner — Sheryl Lane
Assistant Examiner — Mark T. Philipps

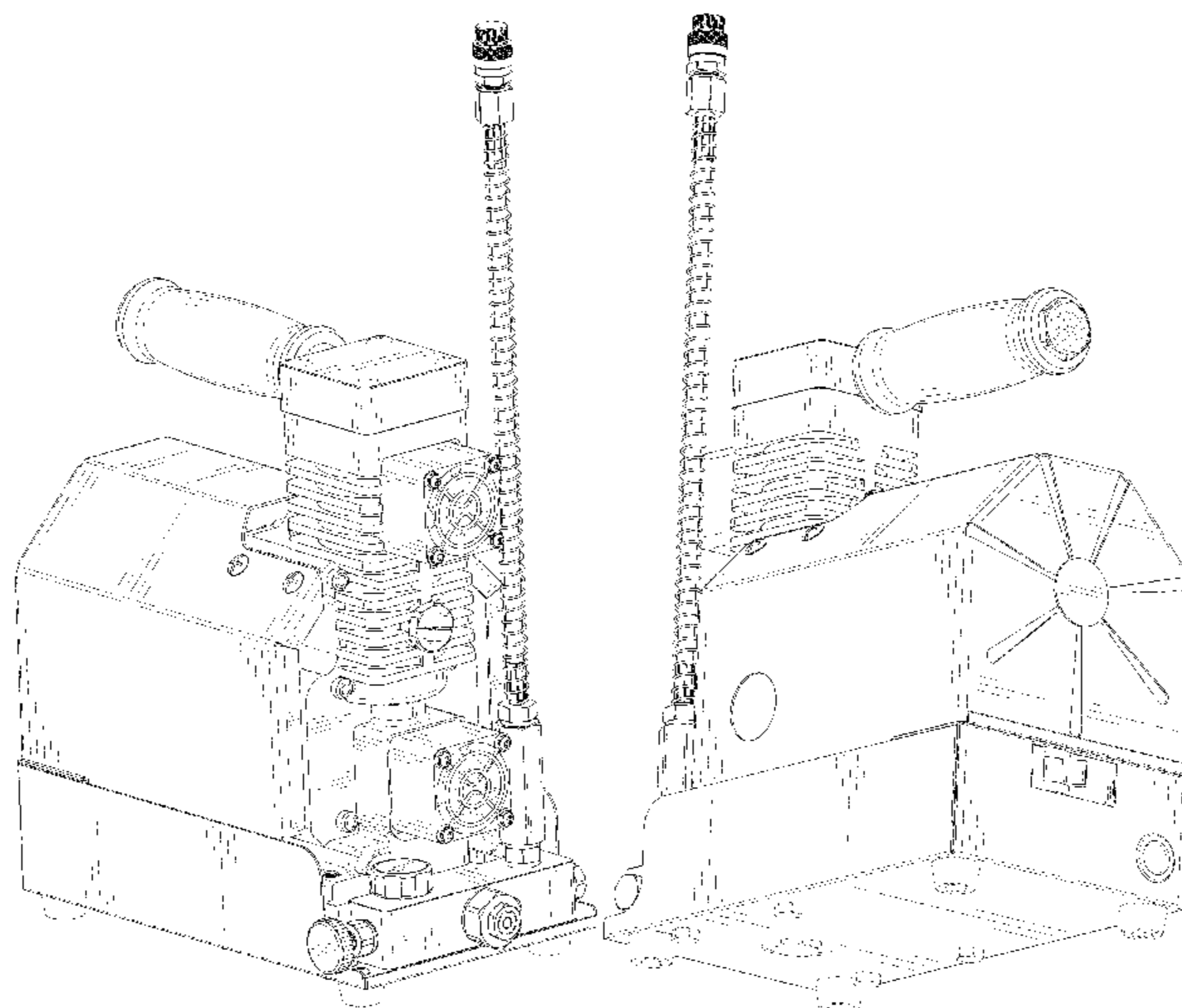
(57) **CLAIM**

The ornamental design for an electric pump, as shown and
described.

DESCRIPTION

FIG. 1 is a perspective view of an electric pump showing my
new design;
FIG. 2 is another perspective view thereof;
FIG. 3 is a front elevational view thereof;
FIG. 4 is a rear elevational view thereof;
FIG. 5 is a left side elevational view thereof;
FIG. 6 is a right side elevational view thereof;
FIG. 7 is a top plan view thereof; and,
FIG. 8 is a bottom plan view thereof.
The broken lines in the drawings depict portions of the
electric pump that form no part of the claimed design.

1 Claim, 8 Drawing Sheets



(56)

References Cited

U.S. PATENT DOCUMENTS

D803,891 S * 11/2017 Timmer D15/7
D853,457 S * 7/2019 Lin D15/144
D867,169 S * 11/2019 Barron D10/47
D896,281 S * 9/2020 Long D15/9

OTHER PUBLICATIONS

Vevor, High Pressure Compressor, (first available date Aug. 23, 2021) Amazon.com, URL:<<https://www.amazon.com/dp/B09C691B7Z>> (Year: 2021).*

* cited by examiner

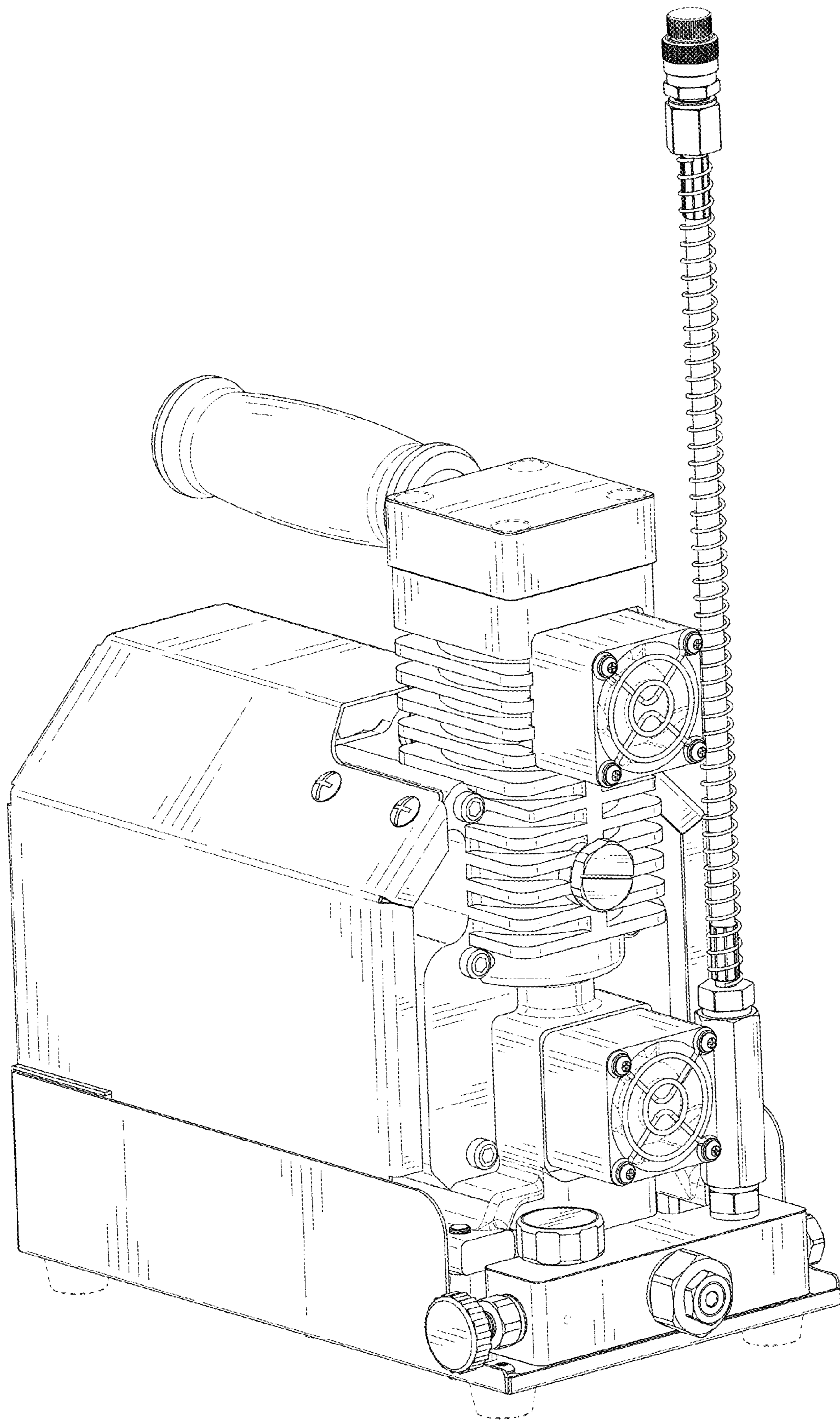


FIG. 1

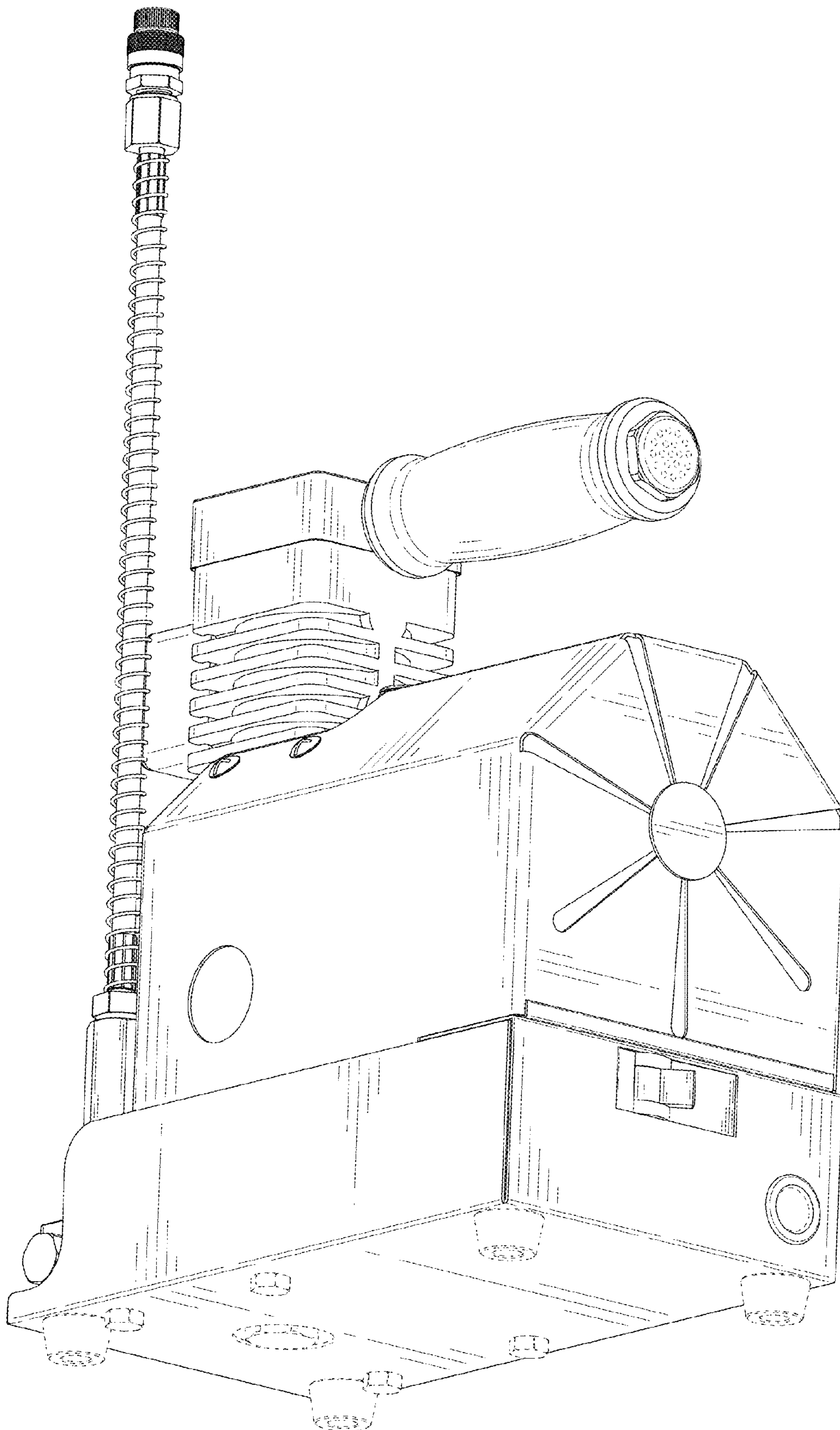


FIG. 2

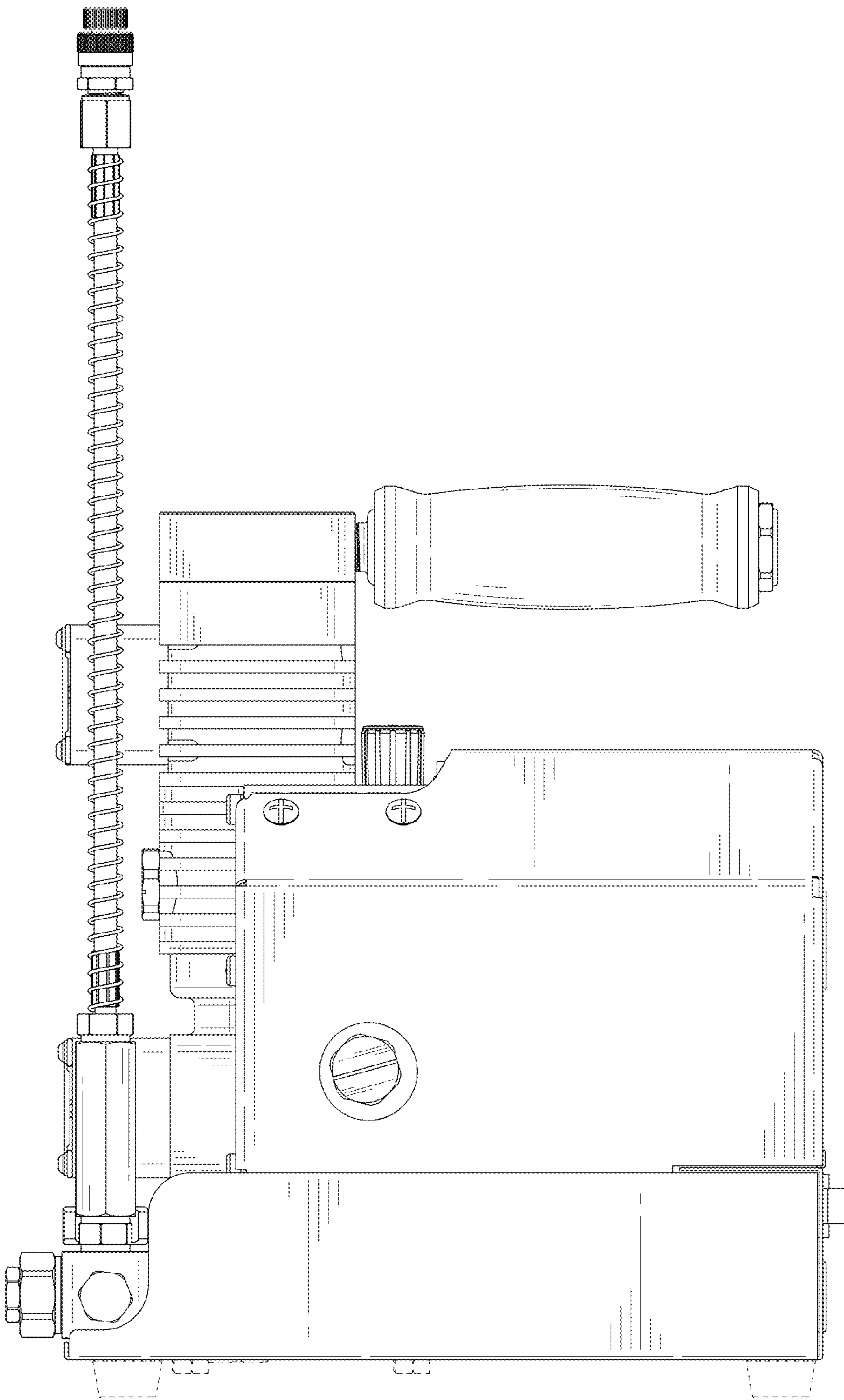


FIG. 3

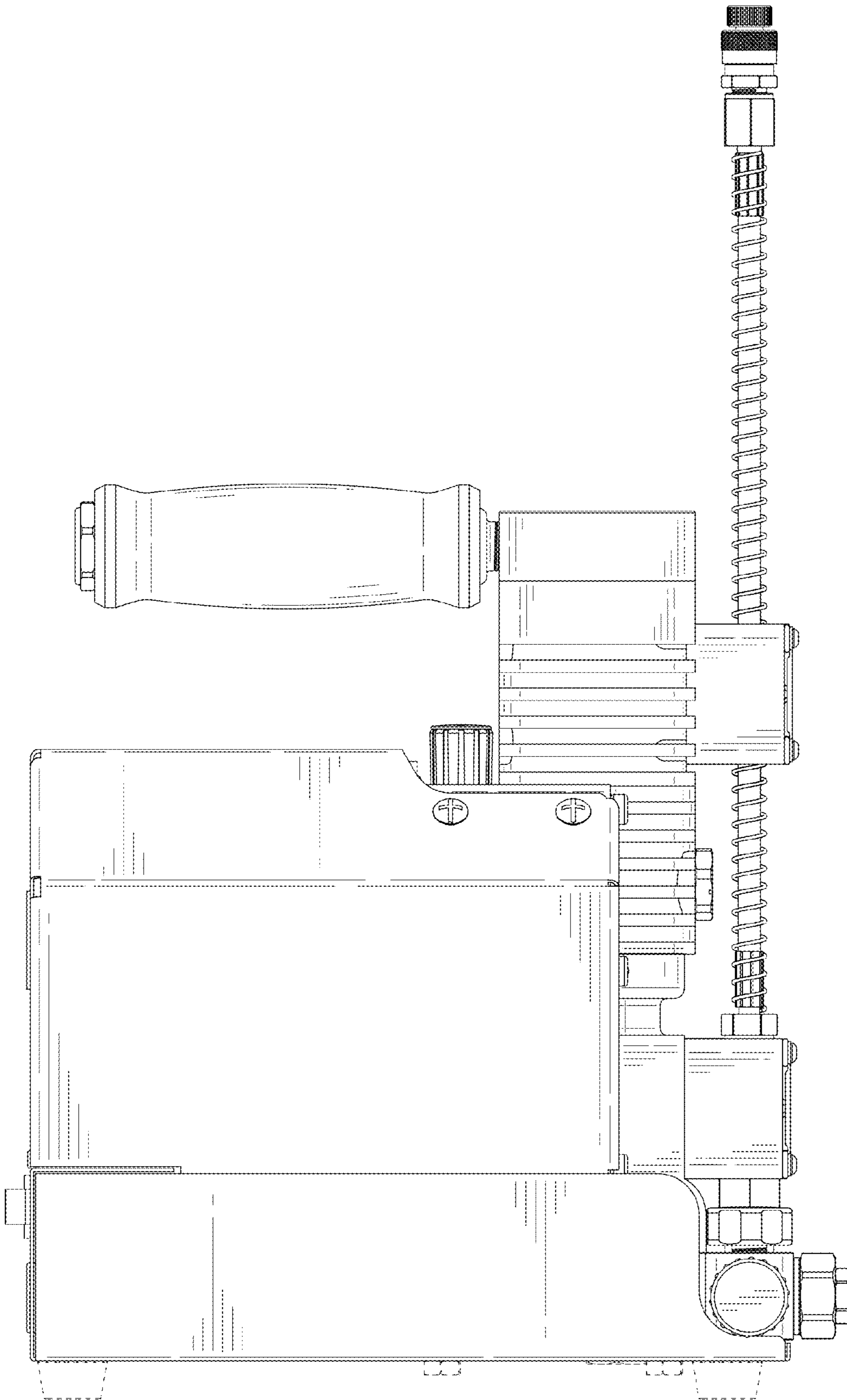


FIG. 4

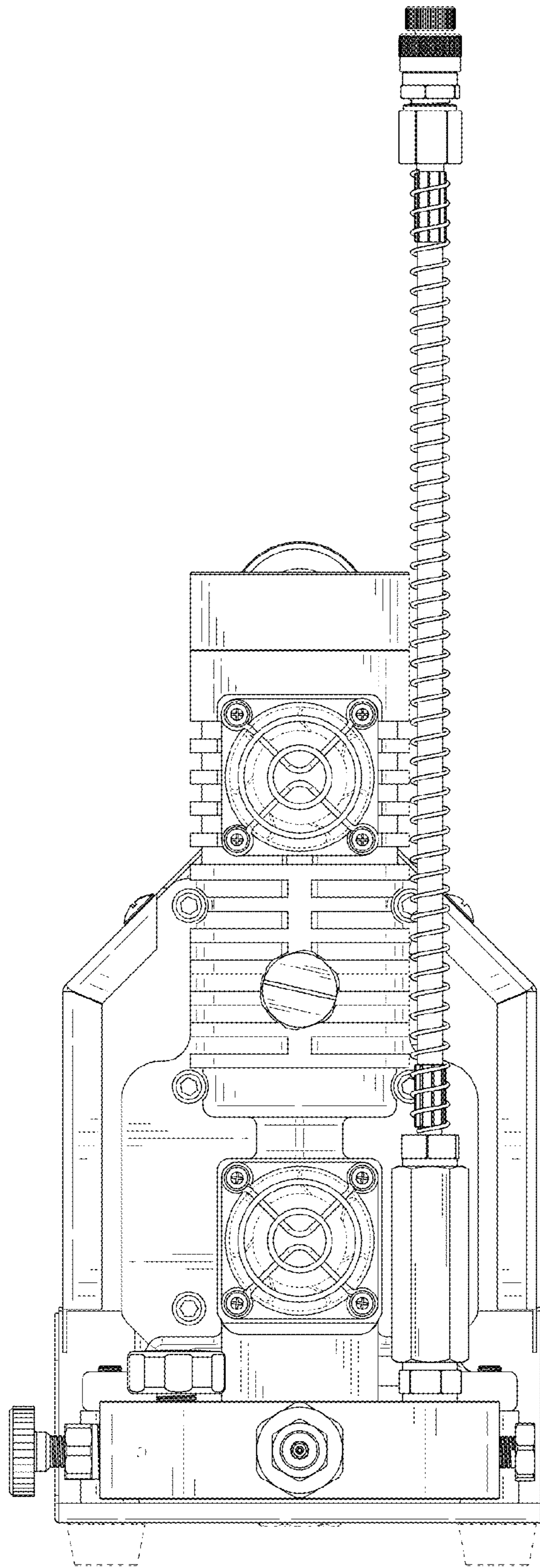


FIG. 5

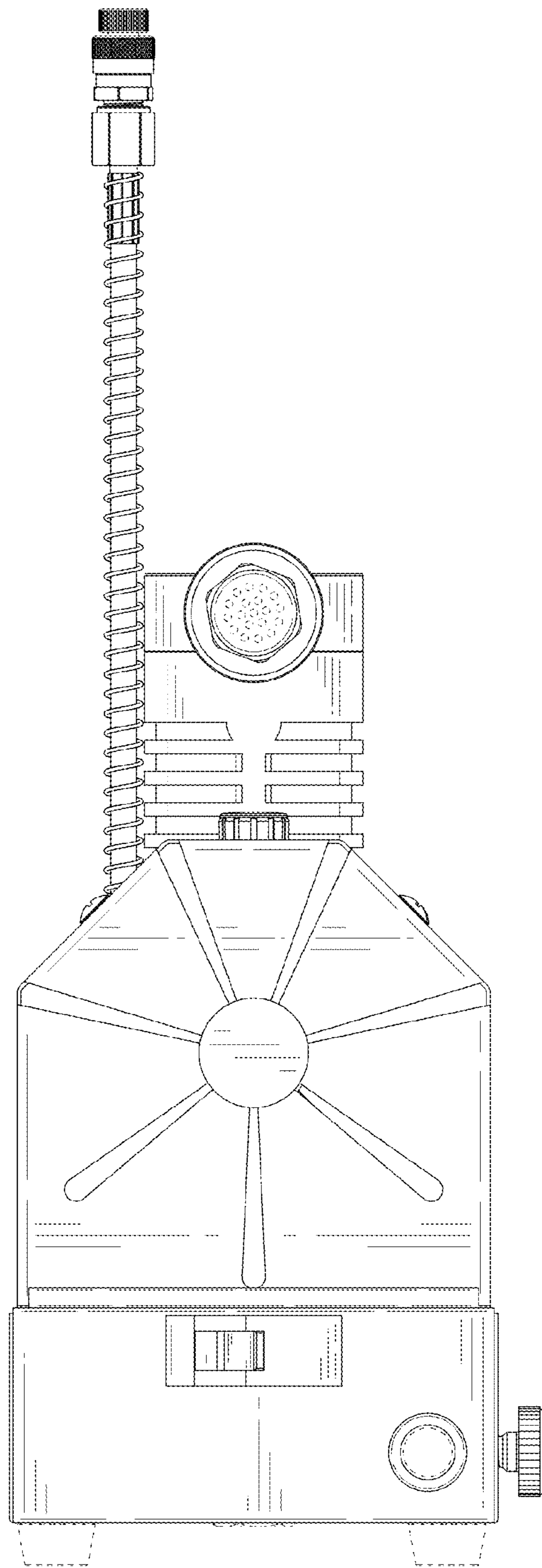


FIG. 6

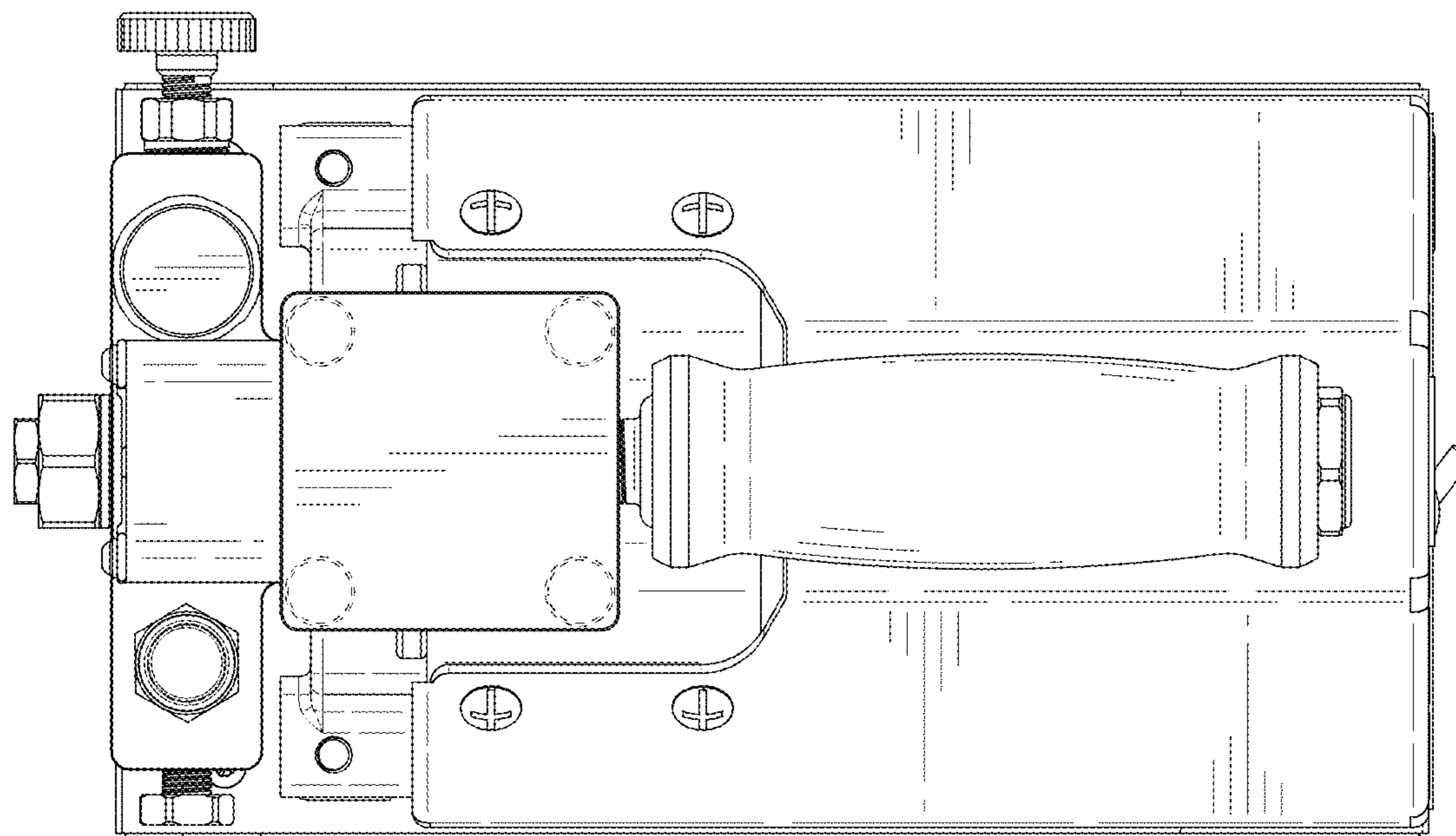


FIG. 7

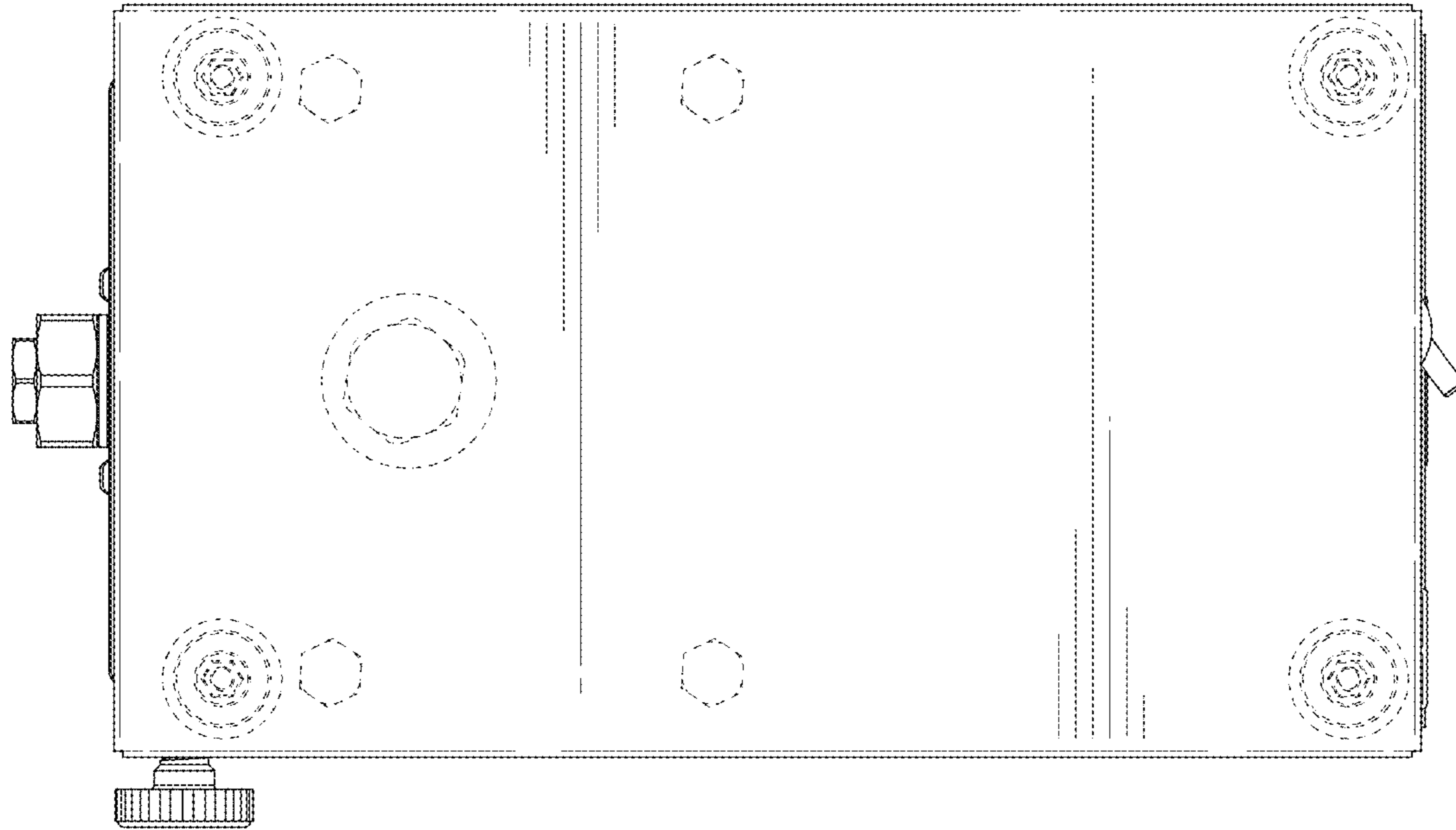


FIG. 8