



US00D939583S

(12) **United States Design Patent** (10) **Patent No.:** **US D939,583 S**
West (45) **Date of Patent:** **** Dec. 28, 2021**

(54) **MOTOR MOUNT AND BULKHEAD**

(71) Applicant: **HFE INTERNATIONAL**, Tucson, AZ (US)

(72) Inventor: **Thomas B. West**, Tucson, AZ (US)

(73) Assignee: **HFE International**, Tucson, AZ (US)

(**) Term: **15 Years**

(21) Appl. No.: **29/689,286**

(22) Filed: **Apr. 29, 2019**

(51) **LOC (13) Cl.** **15-01**

(52) **U.S. Cl.**
USPC **D15/5**

(58) **Field of Classification Search**
USPC D15/5, 4; D13/122; D12/16.1, 223
CPC . H02K 5/26; H02K 5/16; B64D 27/26; B64D 2027/262
See application file for complete search history.

2003/0098622 A1 5/2003 Lino
2007/0222310 A1 9/2007 Drexlmaier
2009/0058203 A1 3/2009 Pettitt et al.
2013/0193784 A1 8/2013 Zheng
2013/0288566 A1* 10/2013 Filoseta B23P 19/04
446/353
2014/0314598 A1* 10/2014 Le Goff F04D 29/668
417/423.8

(Continued)

OTHER PUBLICATIONS

CORVID-29, The Corvid-29 UAV engine is the debut offering of EFI powertrain solutions, <https://www.currawongeng.com/uav-engines/corvid-29/>, 7 pages, printed Jul. 2, 2021.

(Continued)

Primary Examiner — Ania Aman

(74) *Attorney, Agent, or Firm* — Quarles & Brady, LLP

(57) **CLAIM**

The ornamental design for a motor mount and bulkhead, as shown and described.

DESCRIPTION

FIG. 1 is a perspective view of a motor mount and bulkhead showing my design.

FIG. 2 is a front elevational view of the design shown in FIG. 1.

FIG. 3 is a back elevational view of the design shown in FIG. 1.

FIG. 4 is a left elevational view of the design shown in FIG. 1.

FIG. 5 is a right elevational view of the design shown in FIG. 1.

FIG. 6 is a top view of the design shown in FIG. 1; and, FIG. 7 is a bottom view of the design shown in FIG. 1.

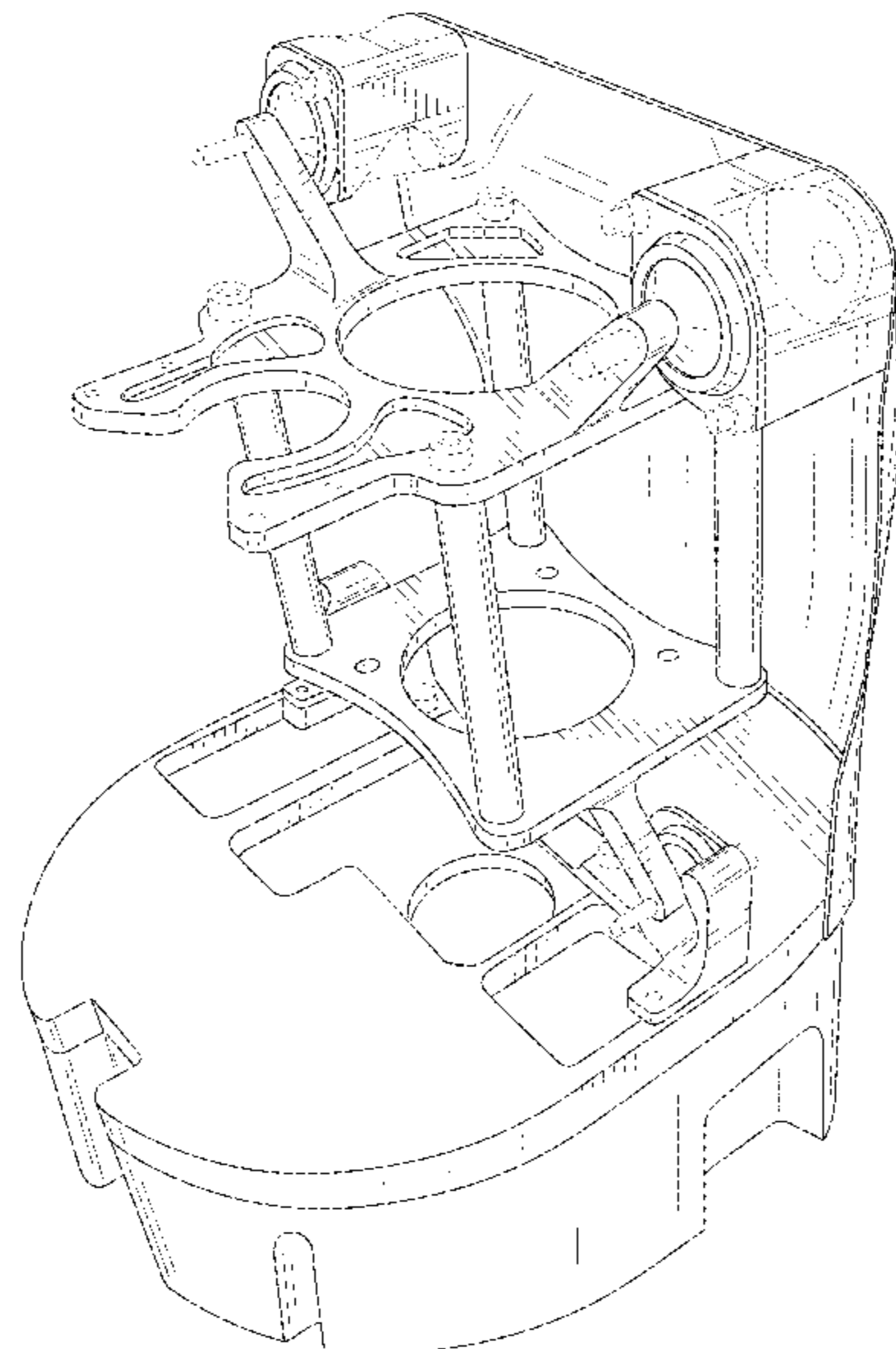
In the drawings, the broken lines depict environmental subject matter only and form no part of the claimed design.

1 Claim, 7 Drawing Sheets

(56) **References Cited**

U.S. PATENT DOCUMENTS

1,801,735 A * 4/1931 Glatt H02K 5/26
248/544
2,592,670 A * 4/1952 Earnhardt D01G 15/36
474/114
3,983,429 A * 9/1976 Allardice, Jr. H02K 5/24
310/91
5,126,607 A 6/1992 Merriman, Jr.
5,696,360 A 12/1997 Tiemeyer
6,021,993 A 2/2000 Kirkwood
6,218,752 B1 * 4/2001 Chang H02K 5/24
310/91
6,378,834 B1 4/2002 Baker
6,547,208 B2 4/2003 Arnold et al.
9,347,509 B2 5/2016 Oppenheimer et al.
10,358,213 B2 7/2019 Freeman
D887,359 S * 6/2020 McCoy, Jr. D13/122
10,967,982 B2 * 4/2021 West B64D 27/26



(56)

References Cited

U.S. PATENT DOCUMENTS

2015/0204096 A1* 7/2015 Panzella E04H 4/1654
248/674
2016/0122015 A1* 5/2016 Hutson B64C 39/024
244/17.23
2016/0226335 A1* 8/2016 Nicoloff F16F 1/376
2017/0025917 A1 1/2017 D'Ambrosio et al.
2017/0088280 A1 3/2017 Beckman et al.
2019/0103783 A1 4/2019 Kondo et al.
2019/0238026 A1 8/2019 Rohrer et al.
2019/0376530 A1 12/2019 Gontier et al.
2020/0096008 A1 3/2020 Browne et al.

OTHER PUBLICATIONS

Cobra Aero A33, The A33 Engine Family, <https://www.cobra-aero.com/a33-engine>, 3 pages, printed Jul. 2, 2021.

Northwest UAV, UAV Engines—Purpose-Built for the Unmanned Market, <https://www.nwuav.com/engines-nwuav.html>, 2 pages, printed Jul. 2, 2021.

Lycoming, EL-005 Engine | Lycoming Engines, <https://www.lycoming.com/engines/el-005>, 2 pages, printed Jul. 2, 2021.

* cited by examiner

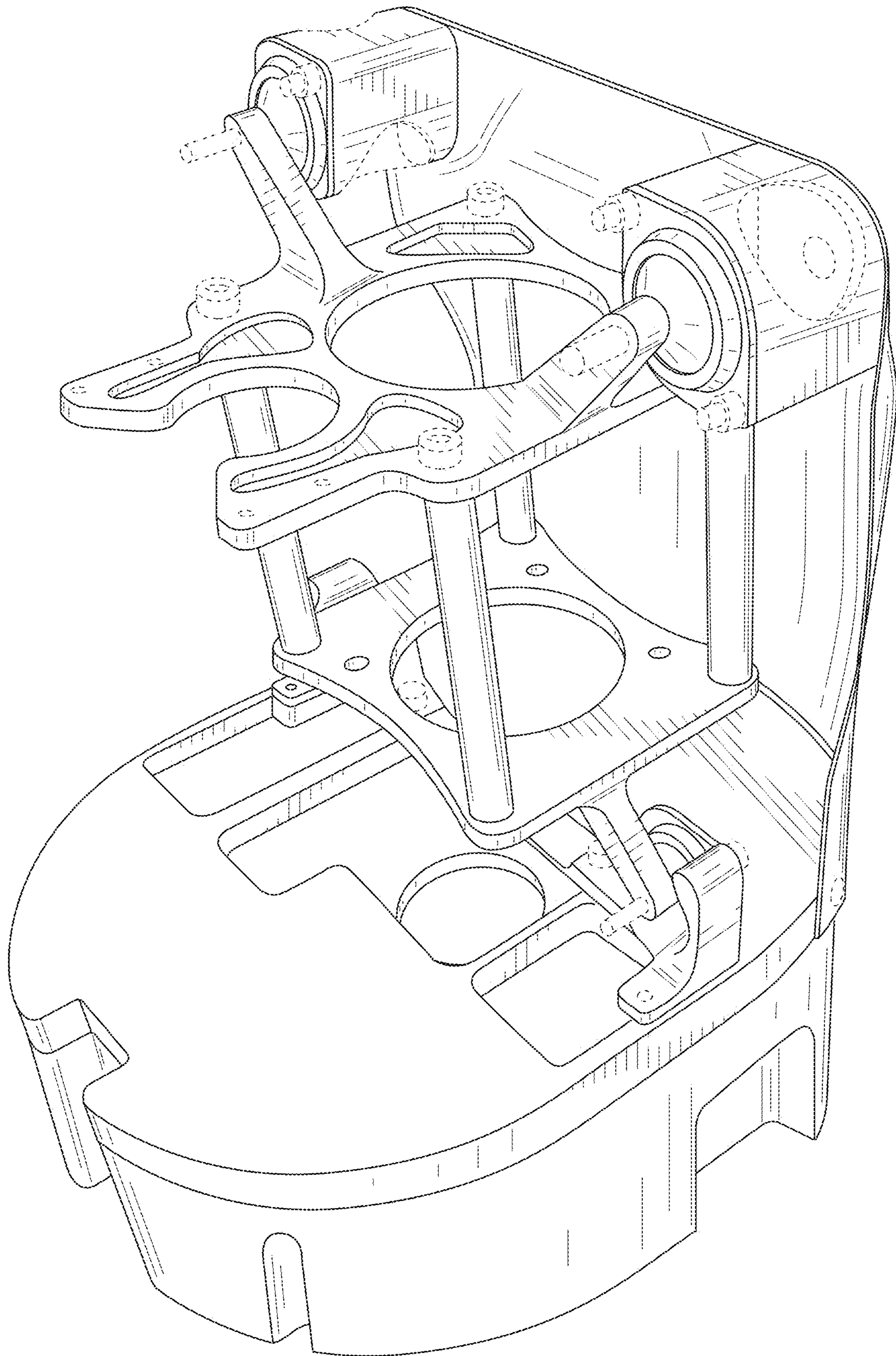


FIG. 1

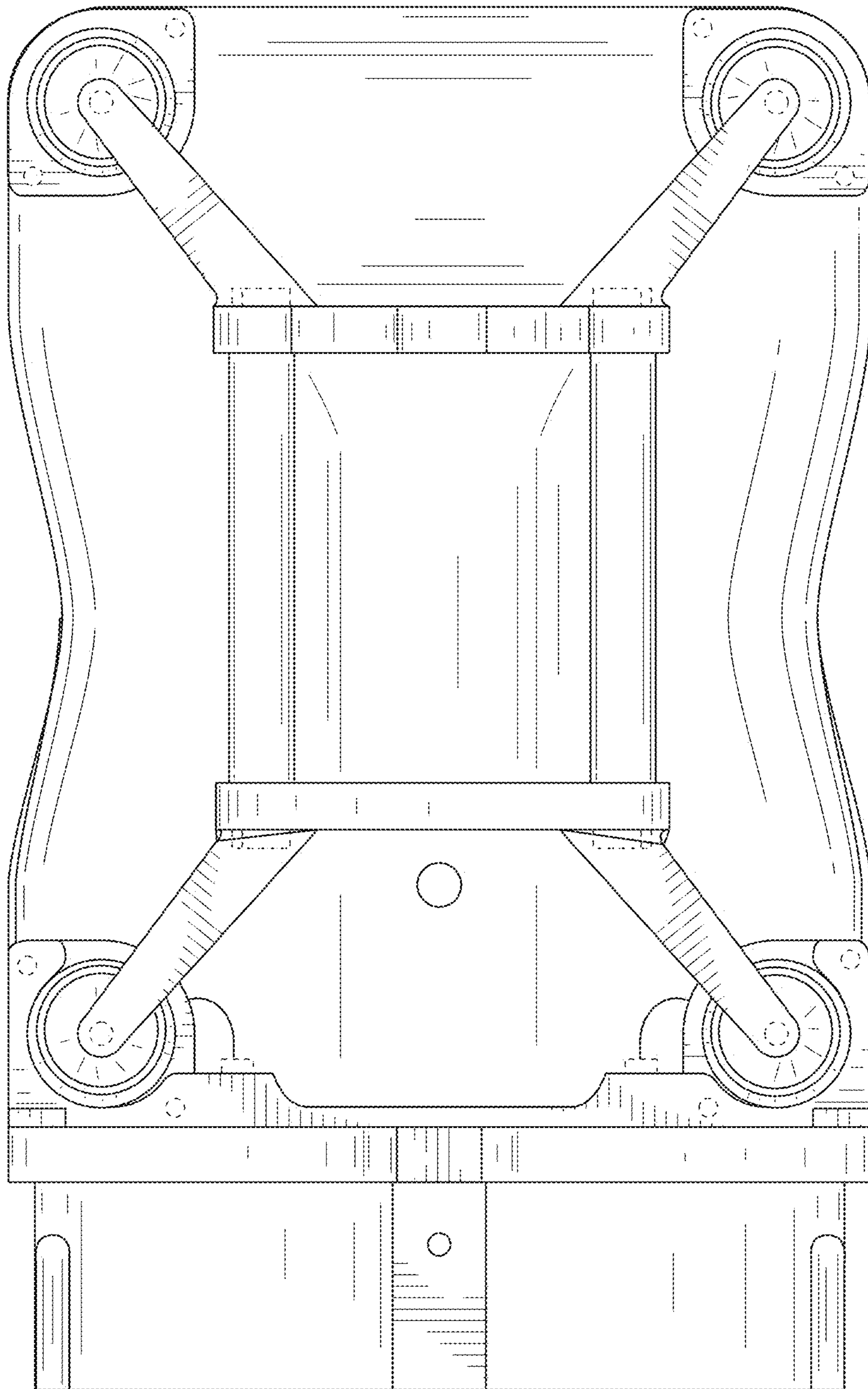


FIG. 2

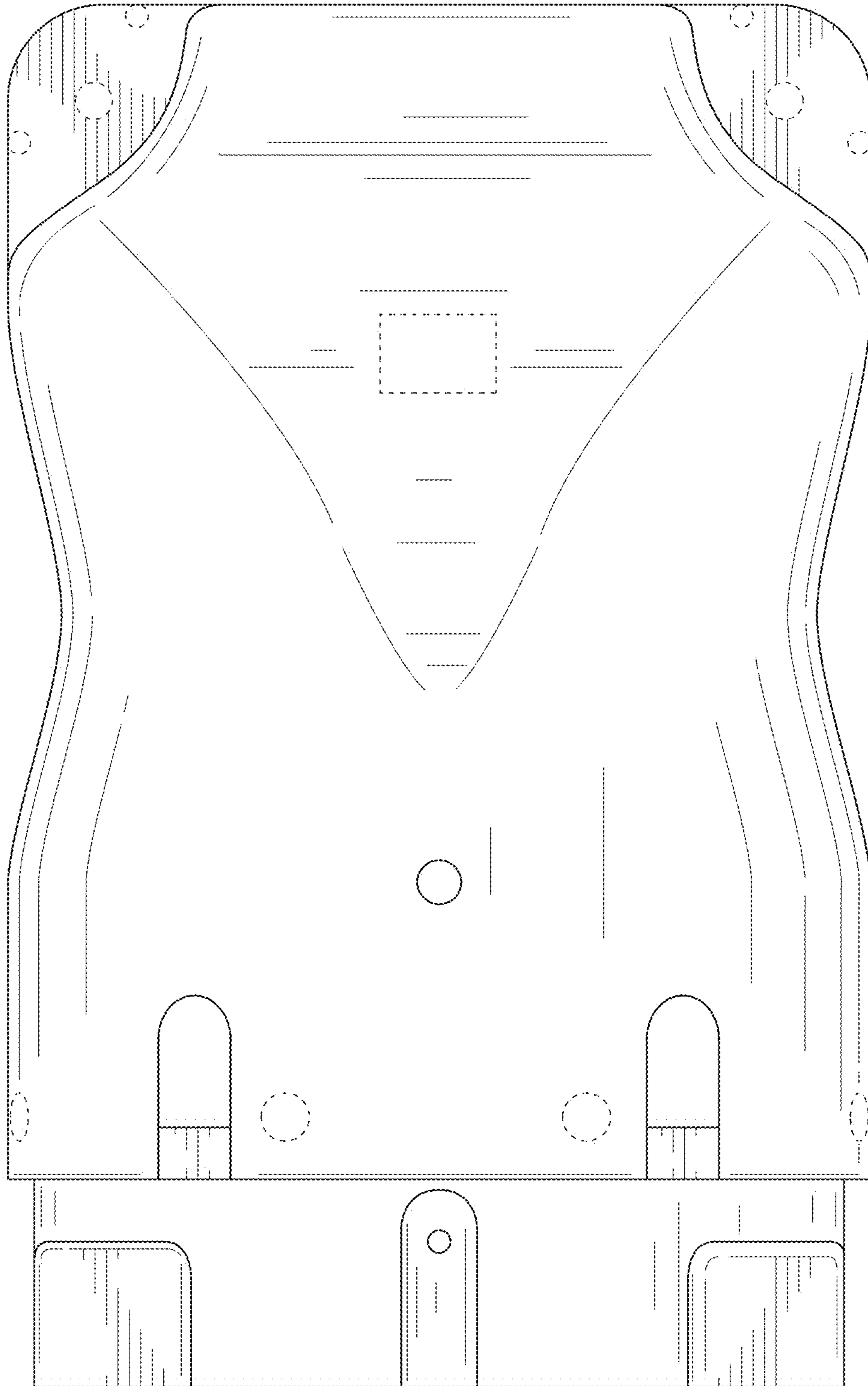


FIG. 3

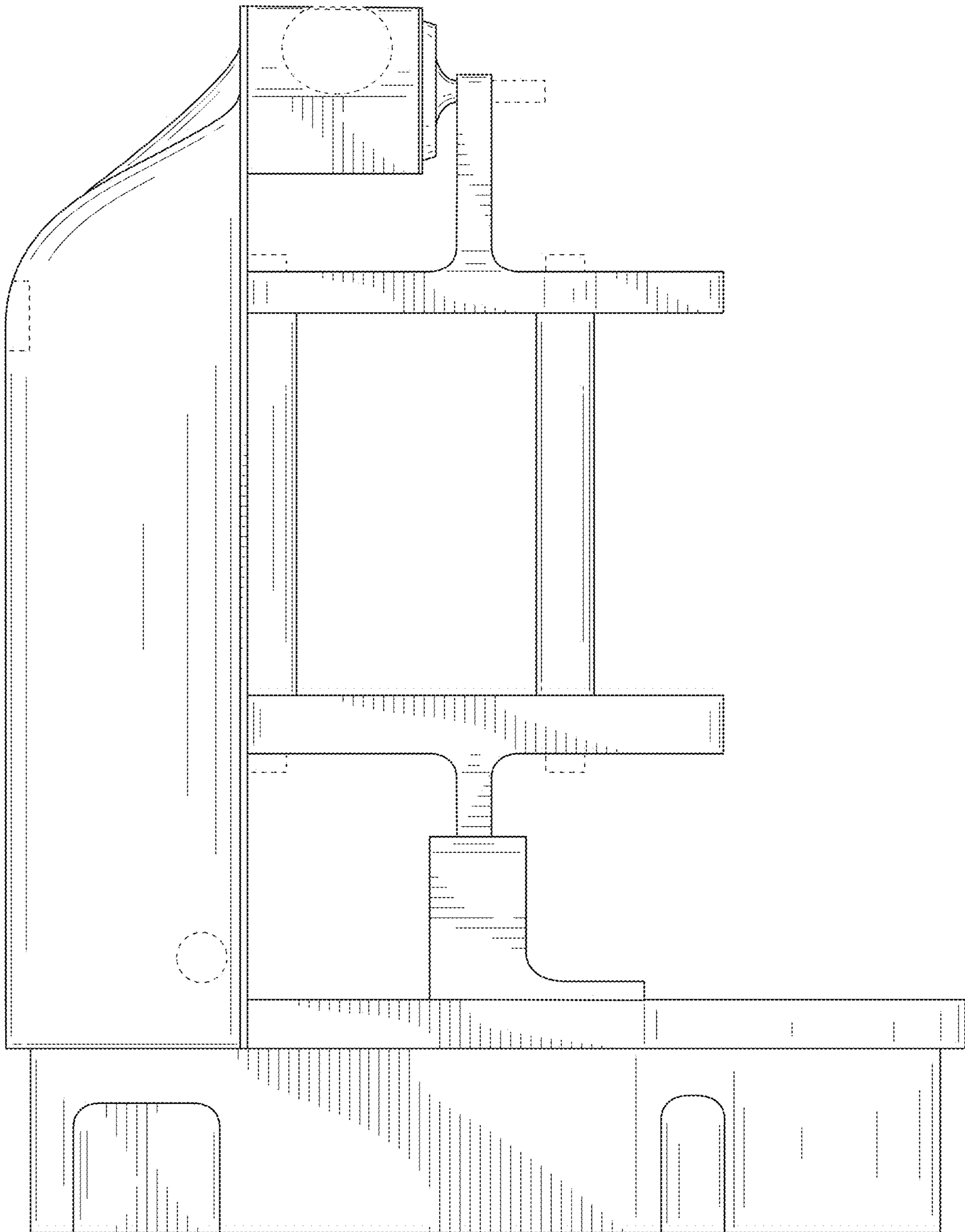


FIG. 4

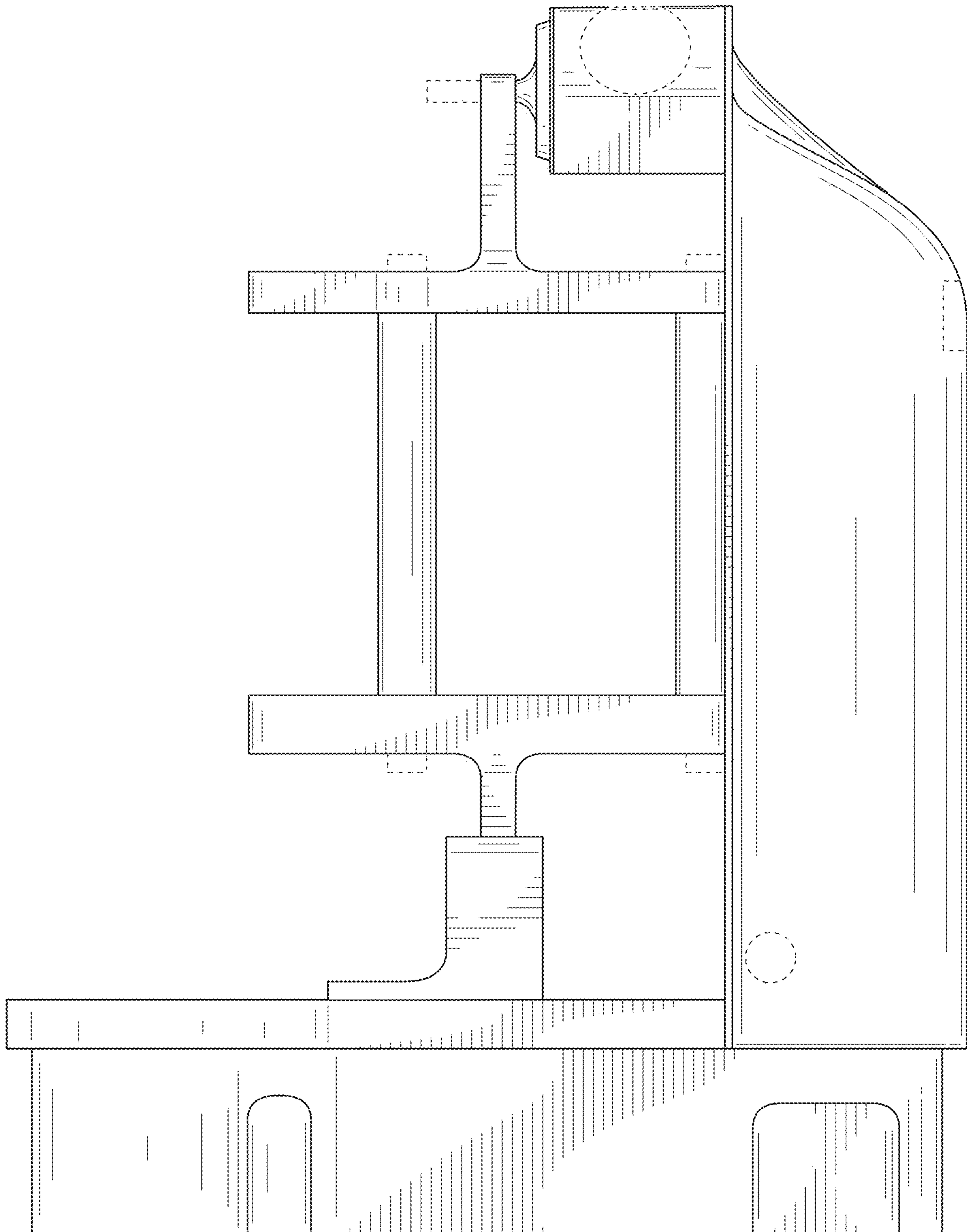


FIG. 5

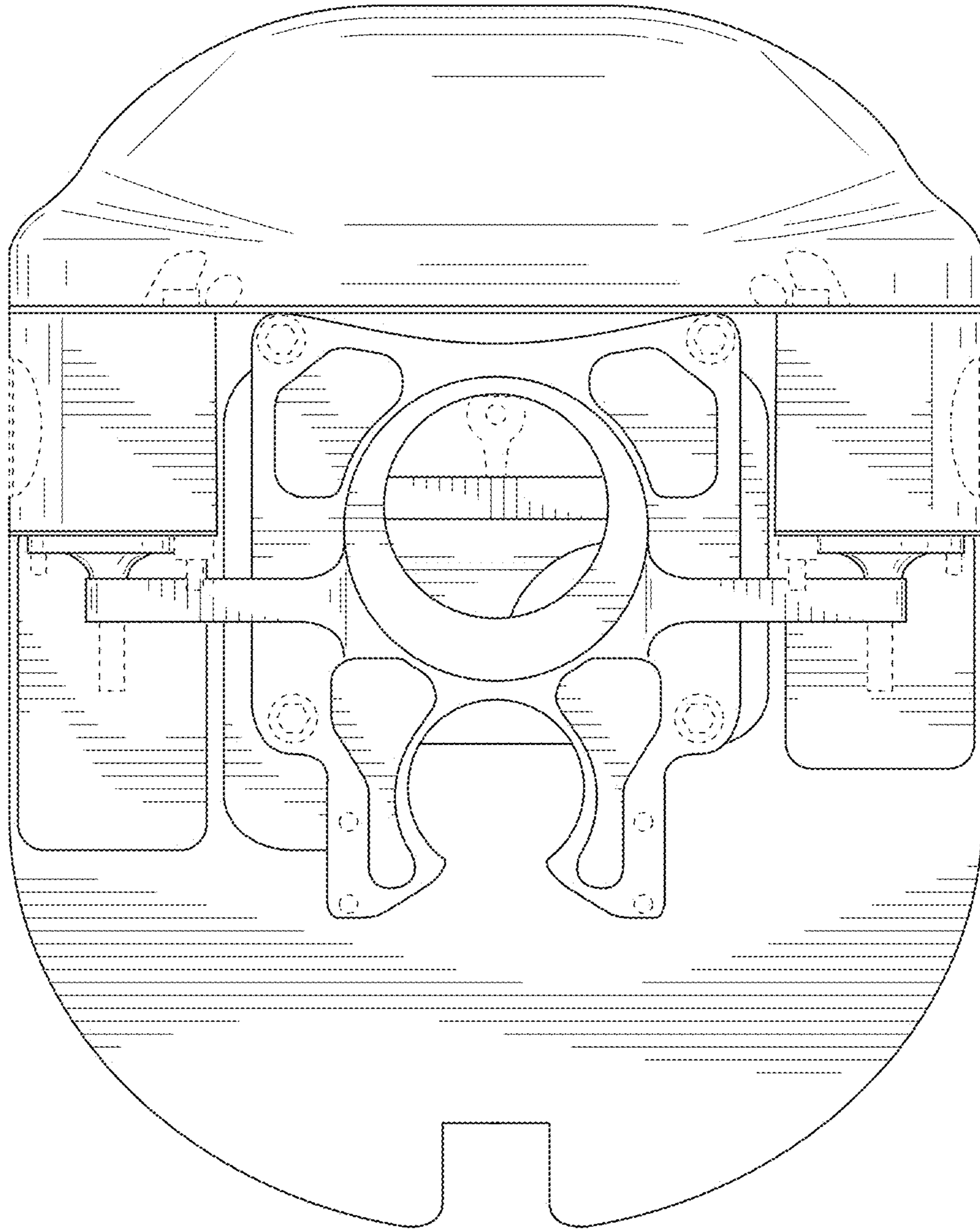


FIG. 6

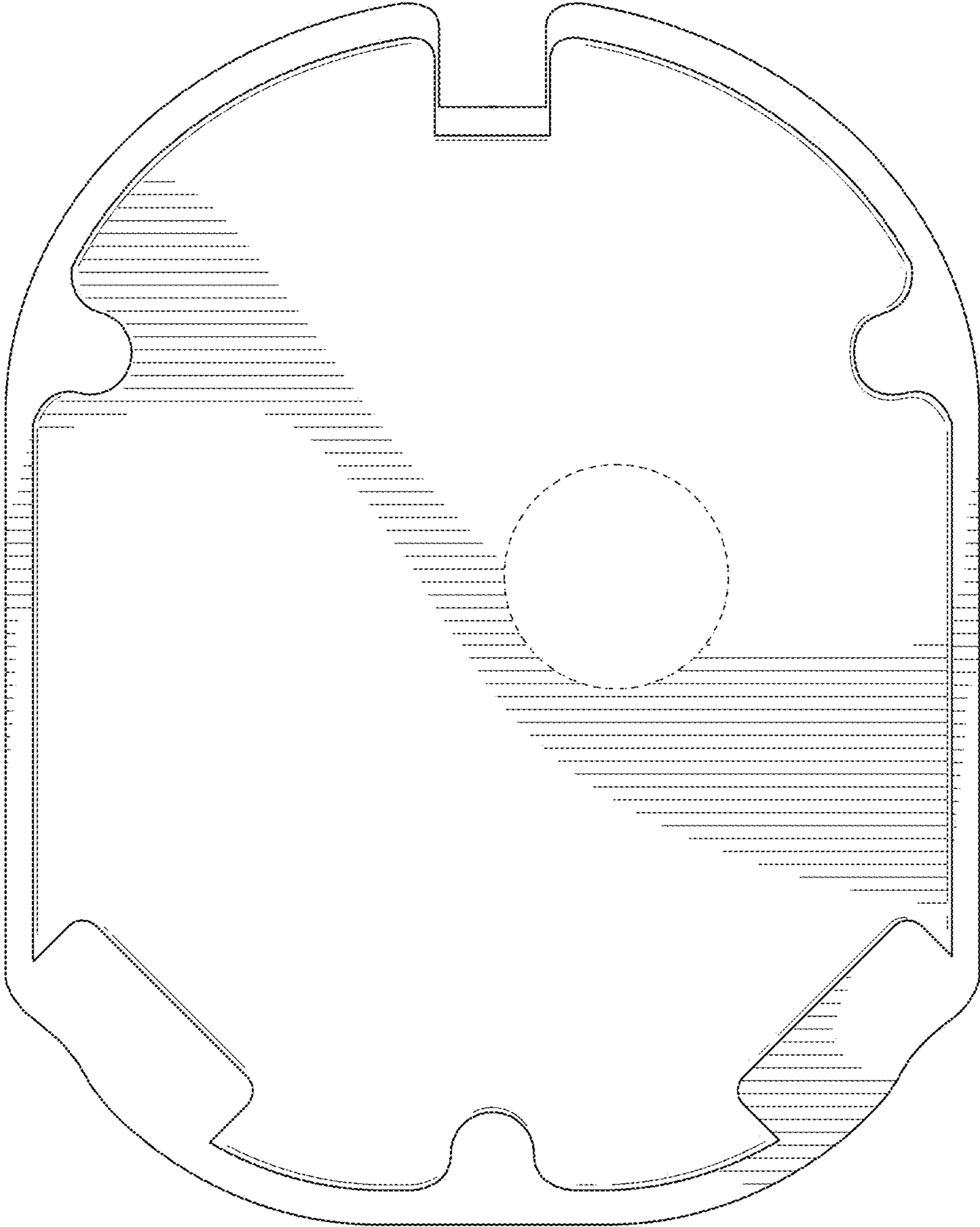


FIG. 7