



US00D939582S

(12) **United States Design Patent** (10) **Patent No.:** **US D939,582 S**
Sierakowski et al. (45) **Date of Patent:** **** Dec. 28, 2021**

(54) **ENGINE BLOWER HOUSING**
(71) Applicant: **Kohler Co.**, Kohler, WI (US)
(72) Inventors: **Tyler J. Sierakowski**, Sheboygan, WI (US); **Christopher D. Thorn**, Belgium, WI (US); **Nicholas D. Conger**, Hartford, WI (US); **Pritam Ramchandra Kudawe**, Pune (IN); **Kenneth S. Hanna**, Bellingham, WA (US)

(73) Assignee: **Kohler Co.**

(**) Term: **15 Years**

(21) Appl. No.: **29/637,750**

(22) Filed: **Feb. 21, 2018**

(51) **LOC (13) Cl.** **15-01**

(52) **U.S. Cl.**
USPC **D15/5**

(58) **Field of Classification Search**
USPC D15/1-6
CPC ... F01M 5/00; F16M 1/026; F02P 3/02; F02B 37/013
See application file for complete search history.

(56) **References Cited**

U.S. PATENT DOCUMENTS

5,813,384 A * 9/1998 Lavender F02B 75/22
123/184.32
D735,762 S * 8/2015 Andren D15/5
D735,763 S * 8/2015 Andren D15/5
D735,764 S * 8/2015 Andren D15/5
D735,765 S * 8/2015 Andren D15/5
D735,767 S * 8/2015 Andren D15/5

D735,768 S * 8/2015 Andren D15/5
D736,264 S * 8/2015 Andren D15/5
D742,922 S * 11/2015 Andren D15/5
D742,923 S * 11/2015 Andren D15/5
D742,924 S * 11/2015 Andren D15/5
D865,816 S * 11/2019 Lien D15/1
D911,391 S * 2/2021 Wegner D15/5
D912,092 S * 3/2021 Lien D15/1
D912,093 S * 3/2021 Wolf D15/5
D912,094 S * 3/2021 Wegner D15/5
2006/0169256 A1 * 8/2006 Lavender F02M 35/08
123/559.1
2014/0261259 A1 * 9/2014 Sullivan F02F 7/007
123/41.65
2020/0116117 A1 * 4/2020 Procknow F02N 11/00
2020/0124013 A1 * 4/2020 Koenen F02N 15/003

* cited by examiner

Primary Examiner — Ania Aman

(74) *Attorney, Agent, or Firm* — The Belles Group, P.C.

(57) **CLAIM**

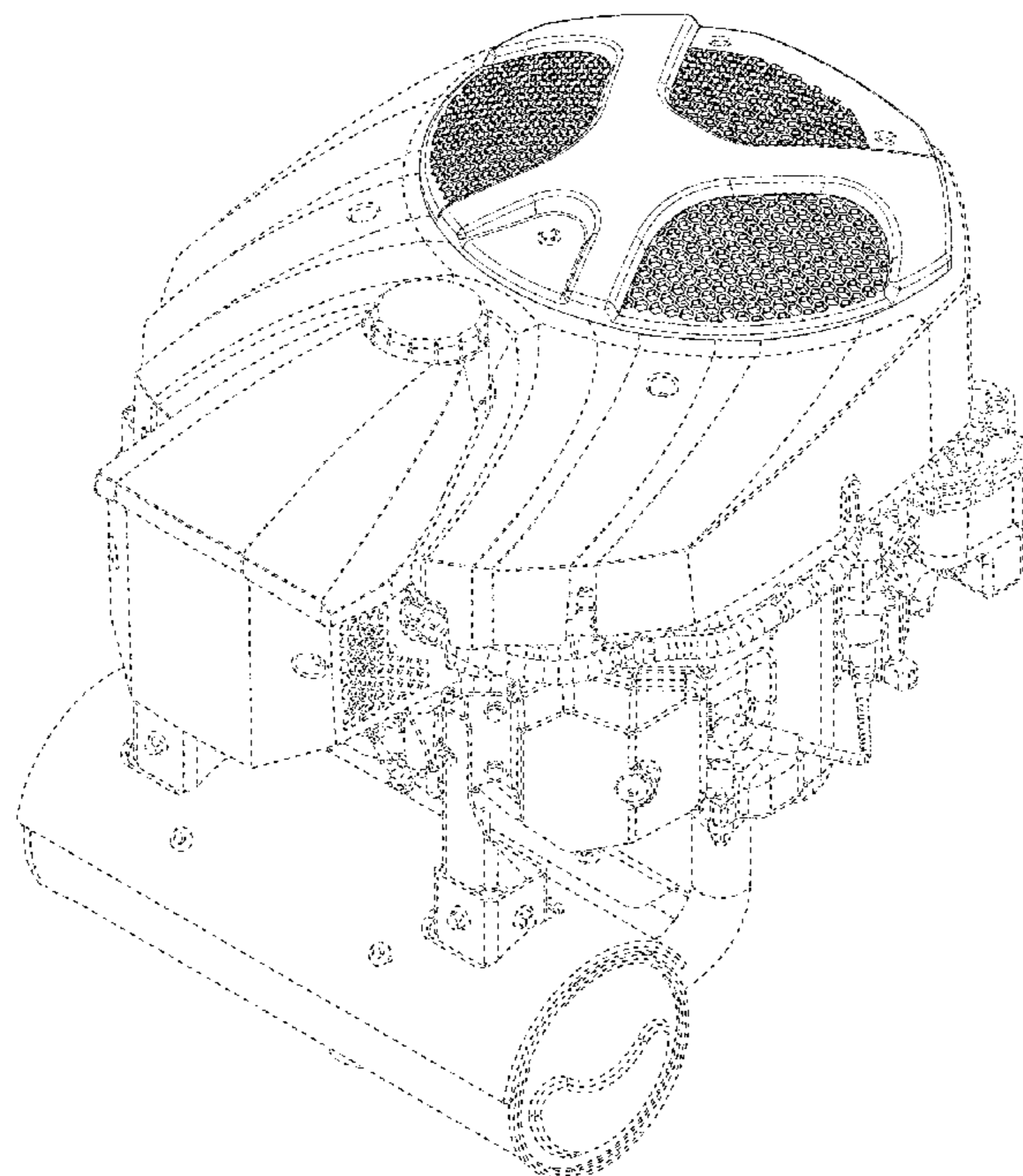
The ornamental design for an engine blower housing, as shown and described.

DESCRIPTION

FIG. 1 is a front-right elevated view of an engine blower housing according to the new design;
FIG. 2 is a front-left elevated view thereof;
FIG. 3 is a front plan view thereof;
FIG. 4 is a rear plan view thereof;
FIG. 5 is a right-side plan view thereof;
FIG. 6 is a left-side plan view thereof;
FIG. 7 is a top plan view thereof; and,
FIG. 8 is a bottom plan view thereof.

All broken lines shown in the drawings are for environmental purposes only and form no part of the claimed design.

1 Claim, 8 Drawing Sheets



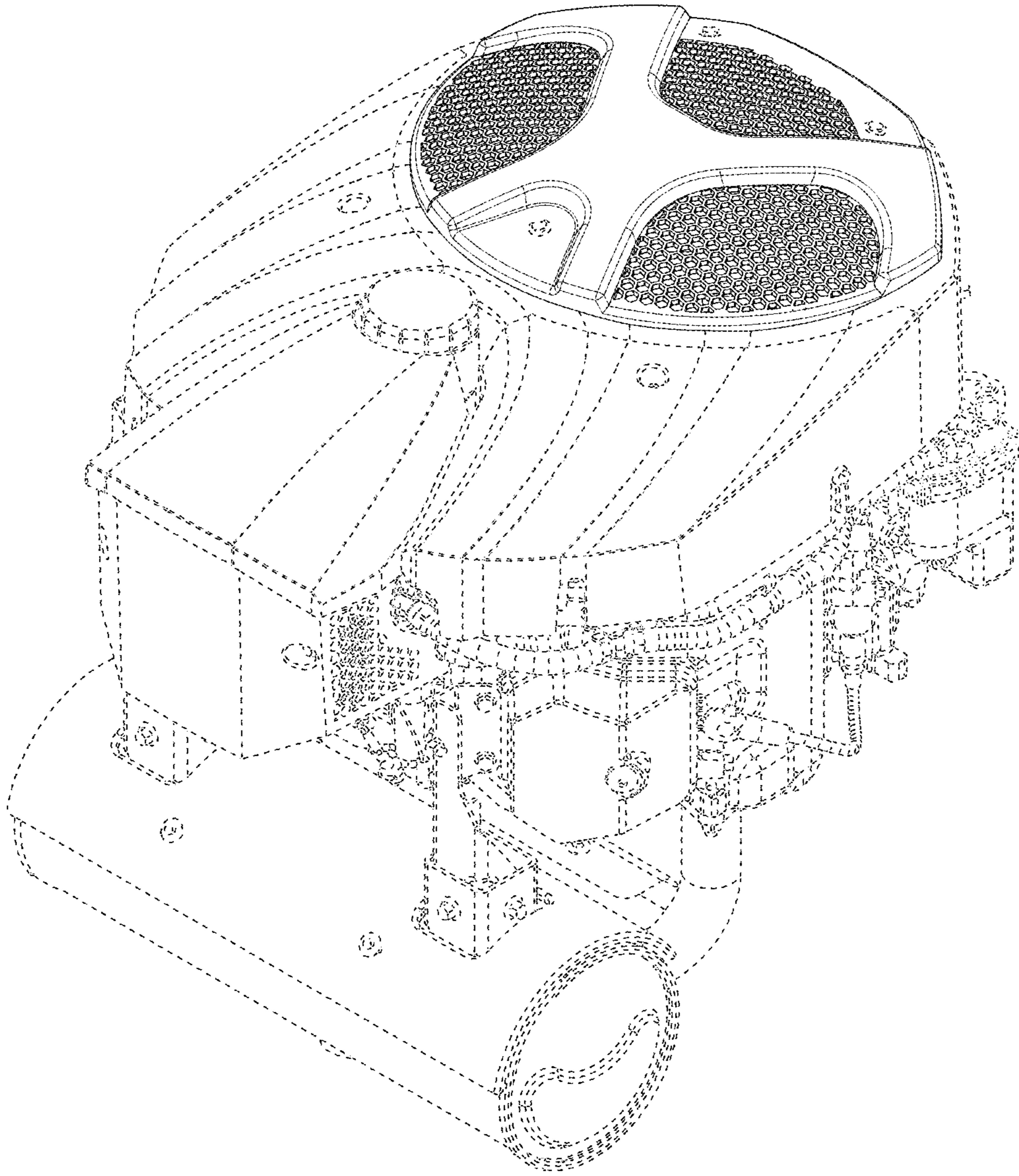


FIG. 1

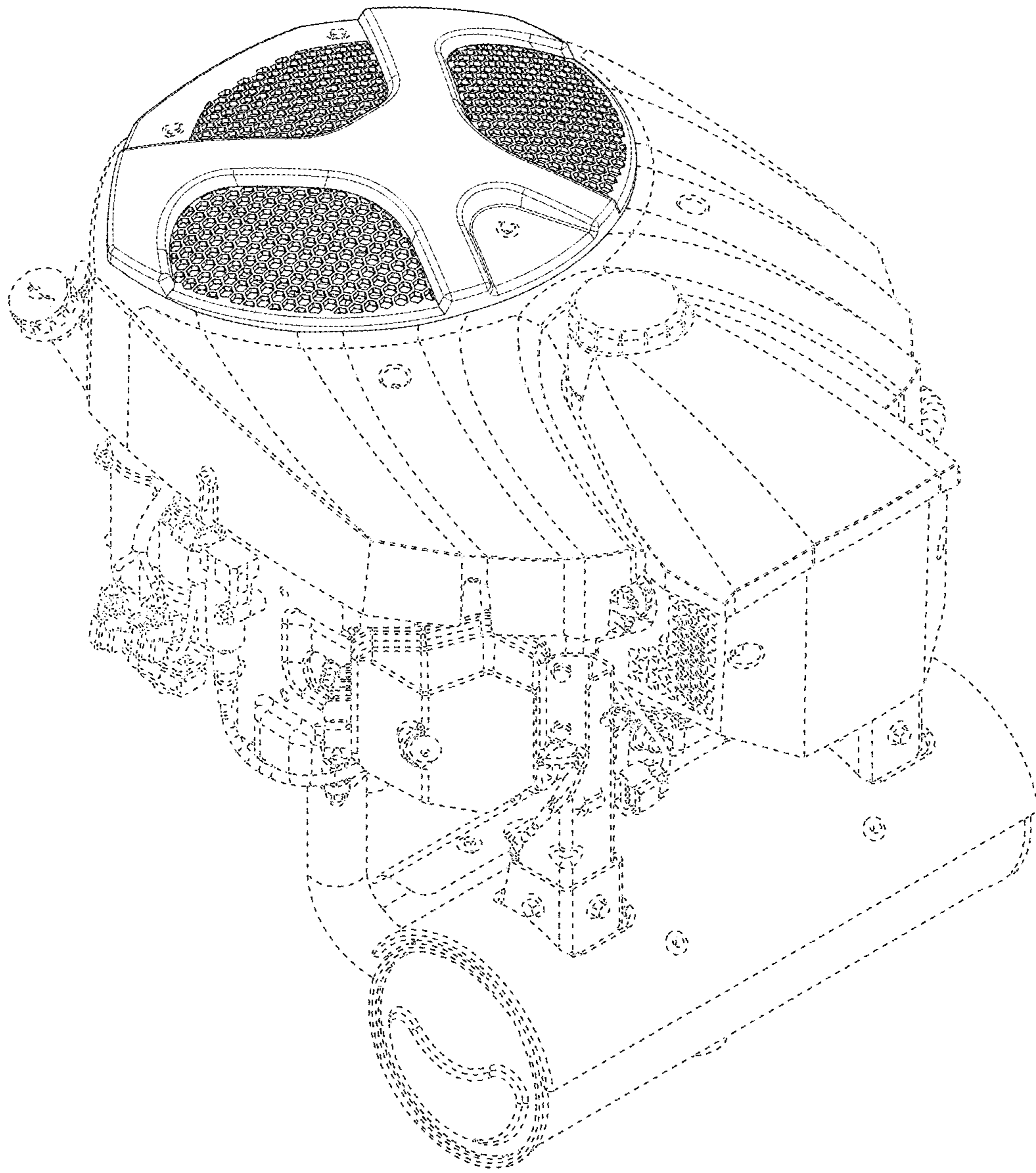


FIG. 2

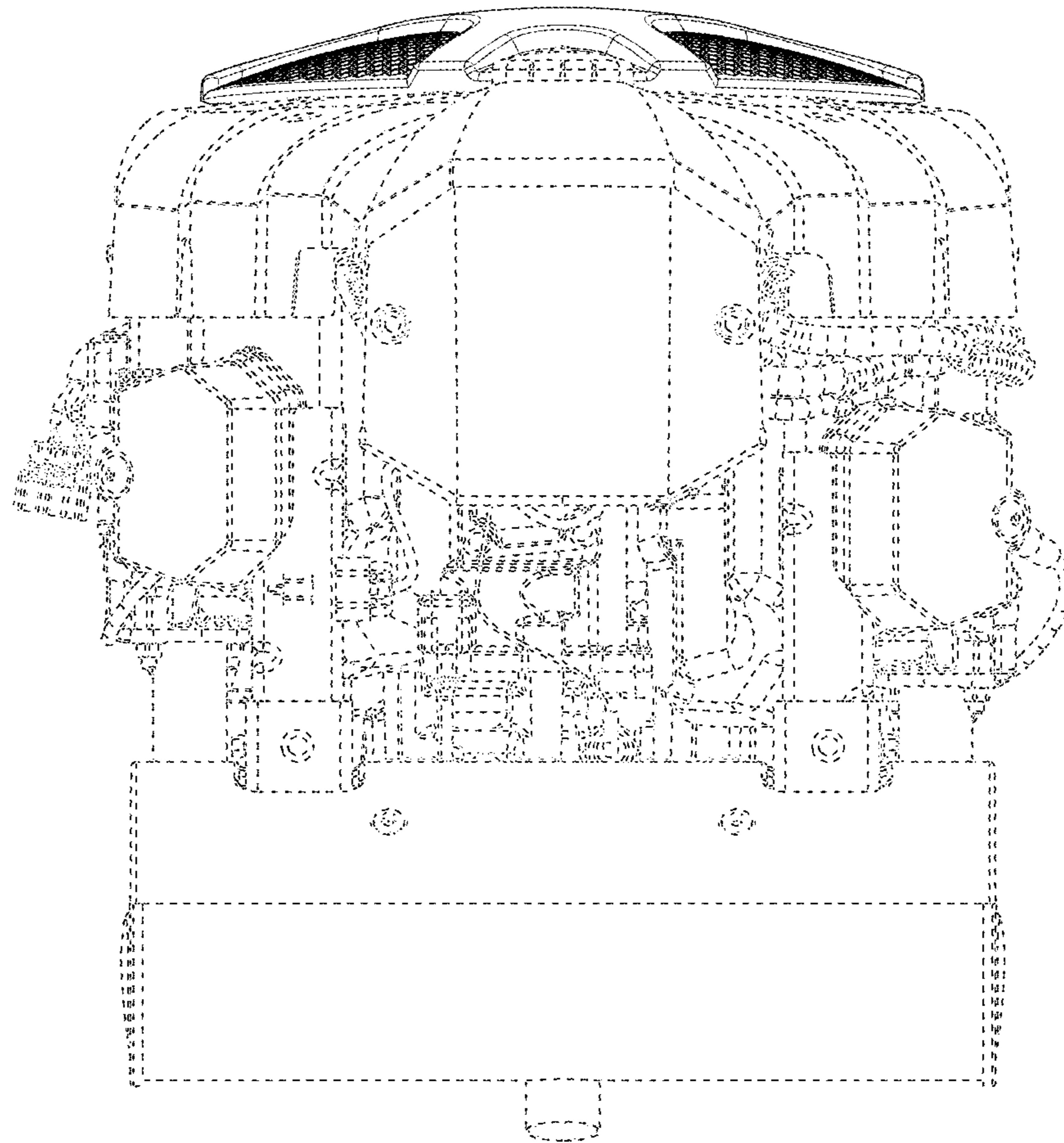


FIG. 3

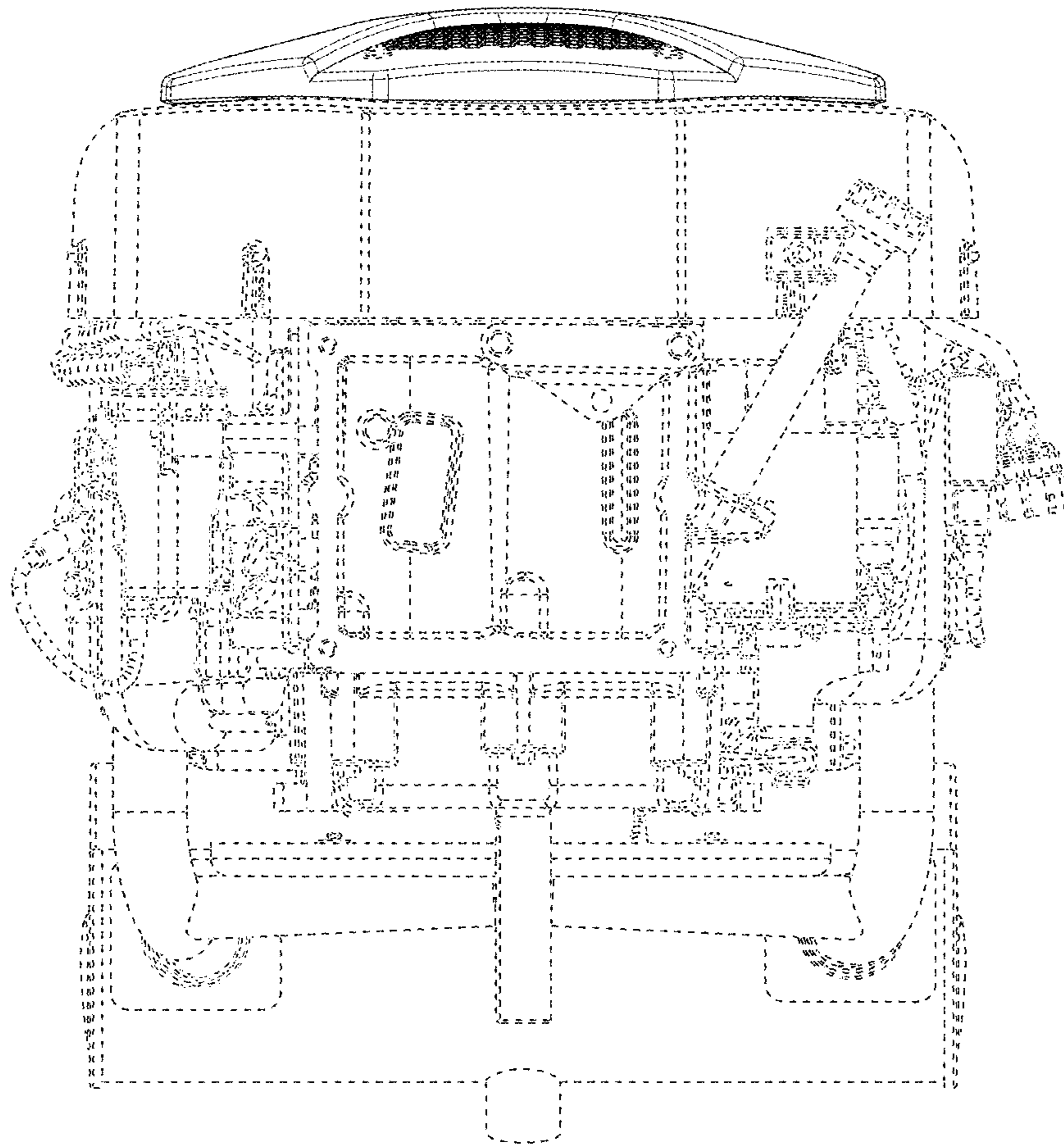


FIG. 4

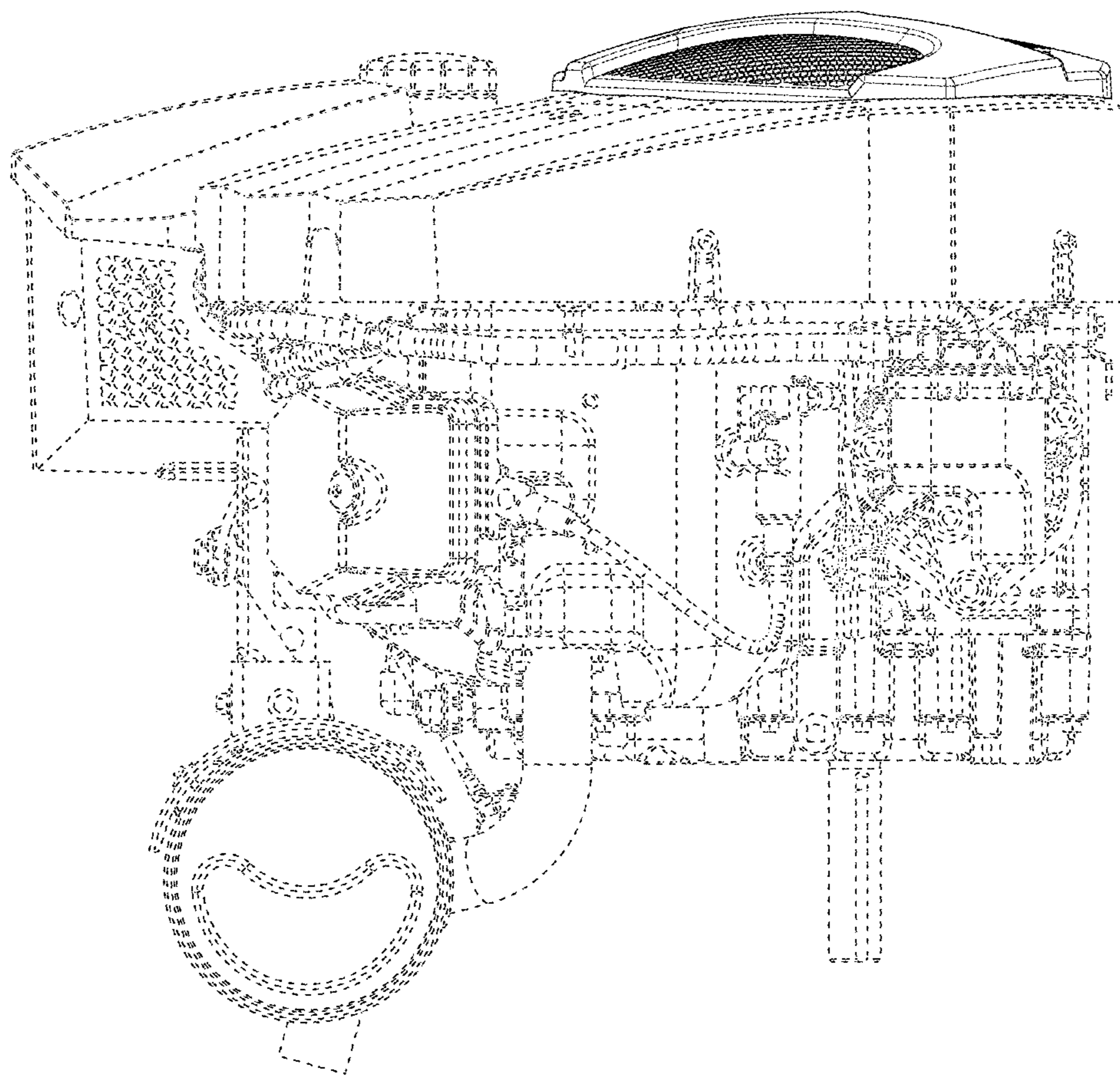


FIG. 5

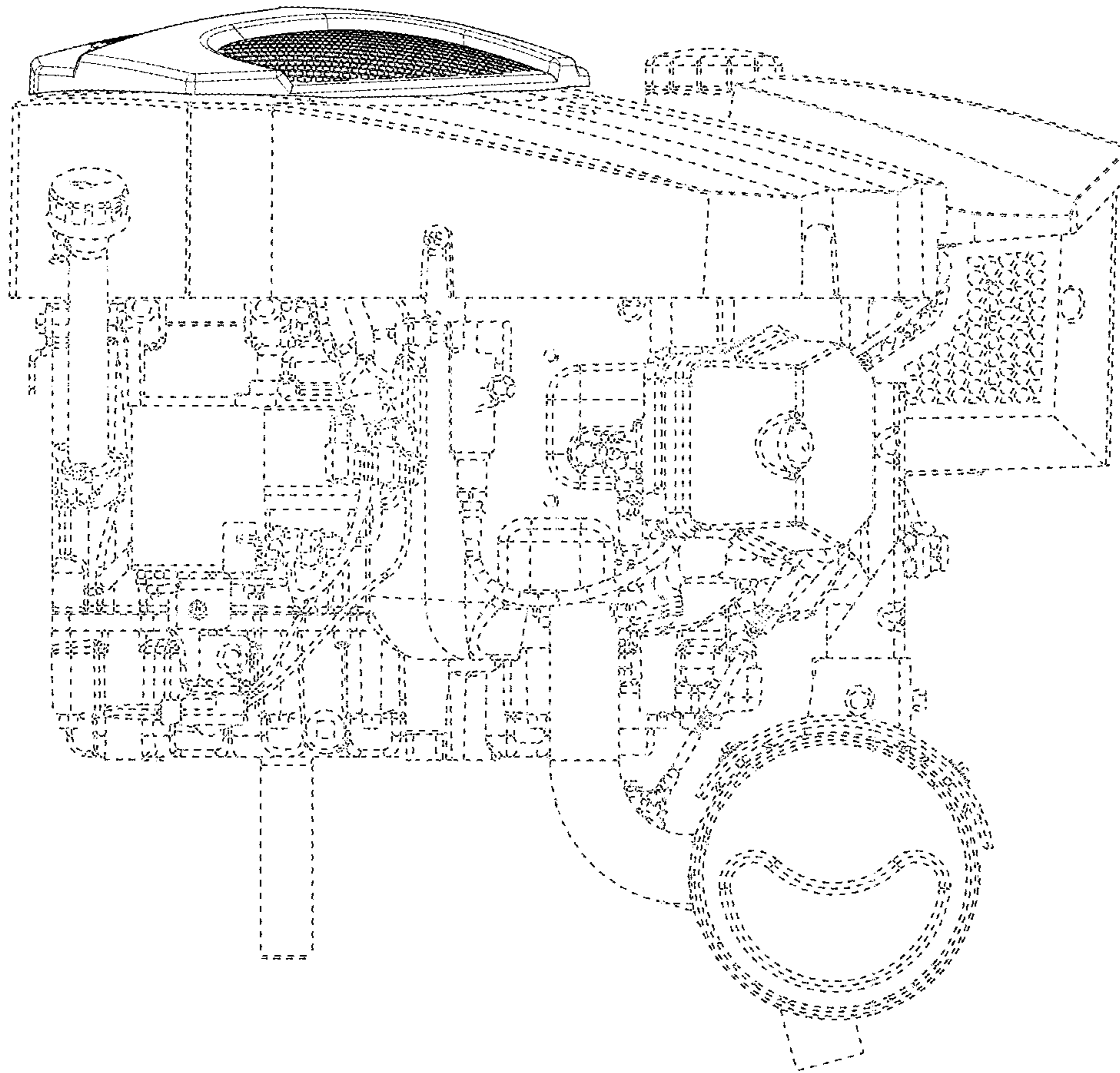


FIG. 6

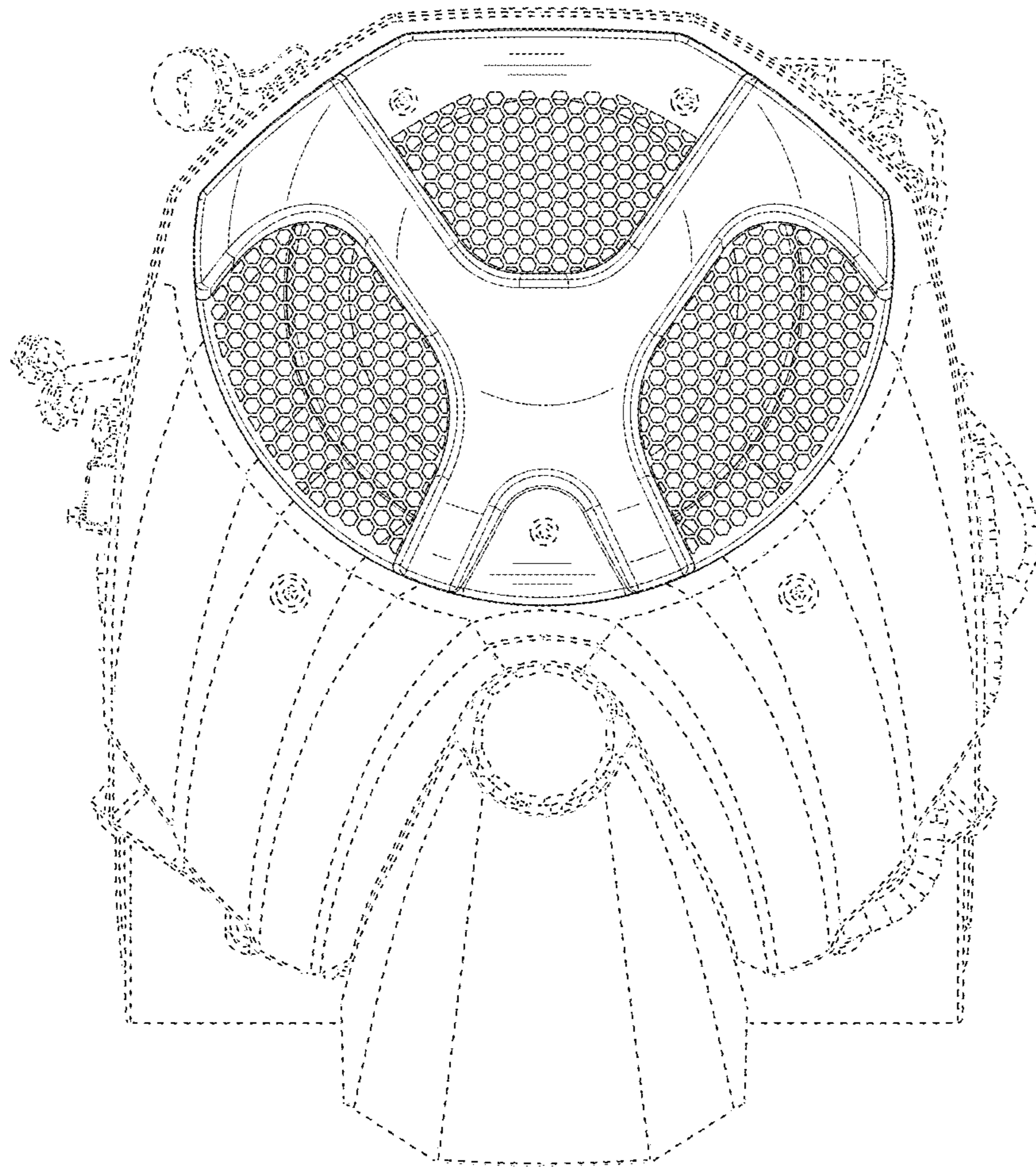


FIG. 7

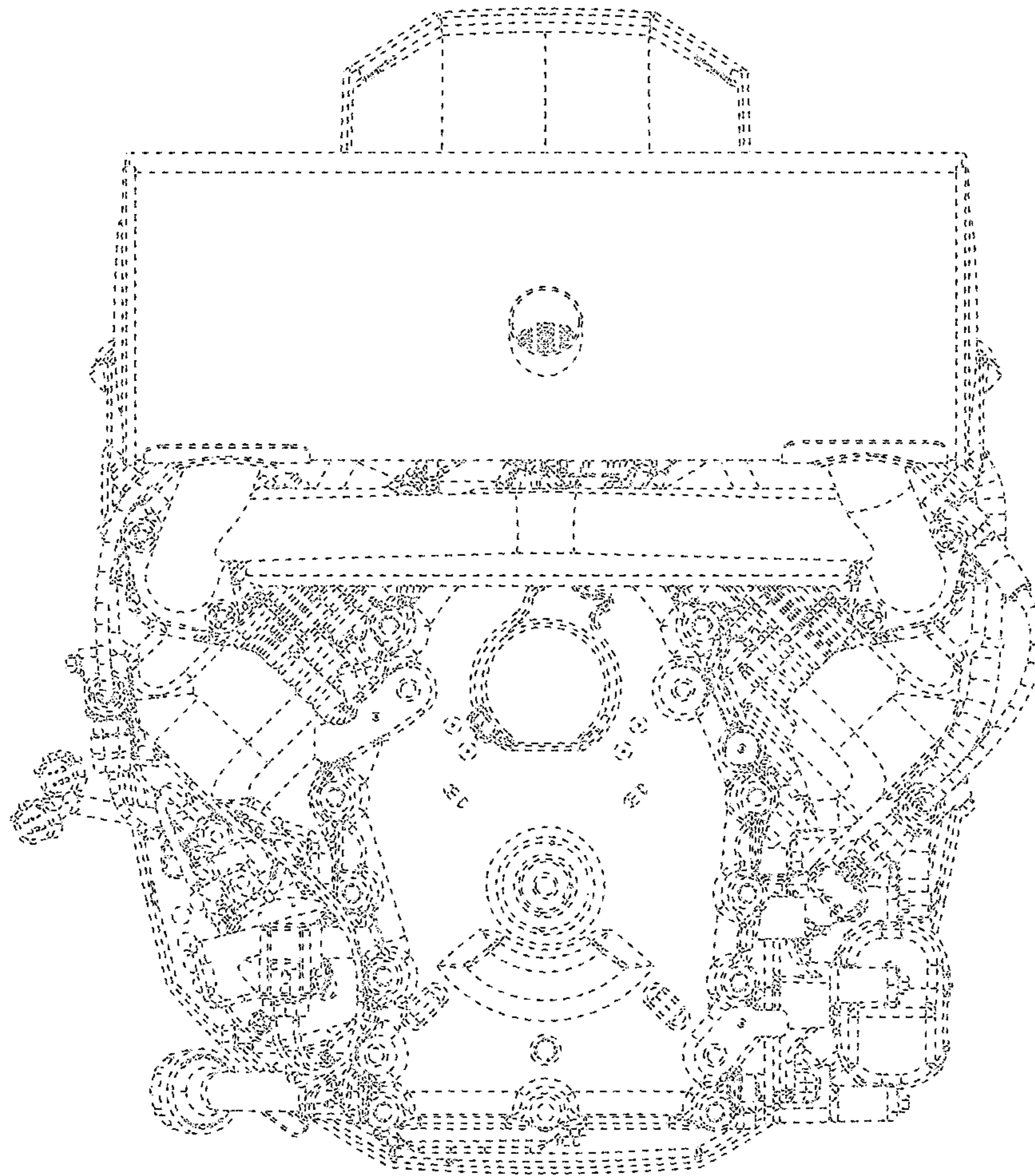


FIG. 8