



US00D939581S

(12) **United States Design Patent**
Li

(10) **Patent No.: US D939,581 S**

(45) **Date of Patent: ** Dec. 28, 2021**

(54) **SLEEP SOUND MACHINE**

FOREIGN PATENT DOCUMENTS

(71) Applicant: **Shenzhen Nanjia Information Technology Ltd. Co., Shenzhen (CN)**

CN	D304962527	12/2018
CN	D305036961	2/2019
CN	D305070974	3/2019
CN	D305216513	6/2019
CN	D305560137	1/2020
CN	306273307	* 1/2021

(72) Inventor: **Jinfang Li, Shenzhen (CN)**

(73) Assignee: **Shenzhen Nanjia Information Technology Ltd. Co., Shenzhen (CN)**

(Continued)

(**) Term: **15 Years**

OTHER PUBLICATIONS

(21) Appl. No.: **29/726,238**

Dreamegg D1 Sound Machine, date available: Oct. 1, 2018, [retrieved Jan. 29, 2021], Retrieved from Internet, URL: <https://www.amazon.com/Dreamegg-Soothing-Fidelity-Relaxing-Sounds-Office/dp/B07HKPKKCD?ref_=ws_cp_a6d4e28f7e9e3f182d39_p_1_i_p> (Year: 2018).*

(22) Filed: **Mar. 2, 2020**

(Continued)

(51) **LOC (13) Cl. 14-03**

(52) **U.S. Cl.**
USPC **D14/496**

(58) **Field of Classification Search**
USPC D14/155-159, 160-173, 187-188,
D14/203.1-203.8, 204-216, 217-222,
D14/223, 225-229, 496
CPC H04R 1/02; H04R 1/021; H04R 1/023;
H04R 5/00; H04R 9/06; H04R 2420/07
See application file for complete search history.

Primary Examiner — Barbara Fox
Assistant Examiner — Aram Kwon
(74) *Attorney, Agent, or Firm* — Rimon PC

(57) **CLAIM**

The ornamental design for a sleep sound machine, as shown.

(56) **References Cited**

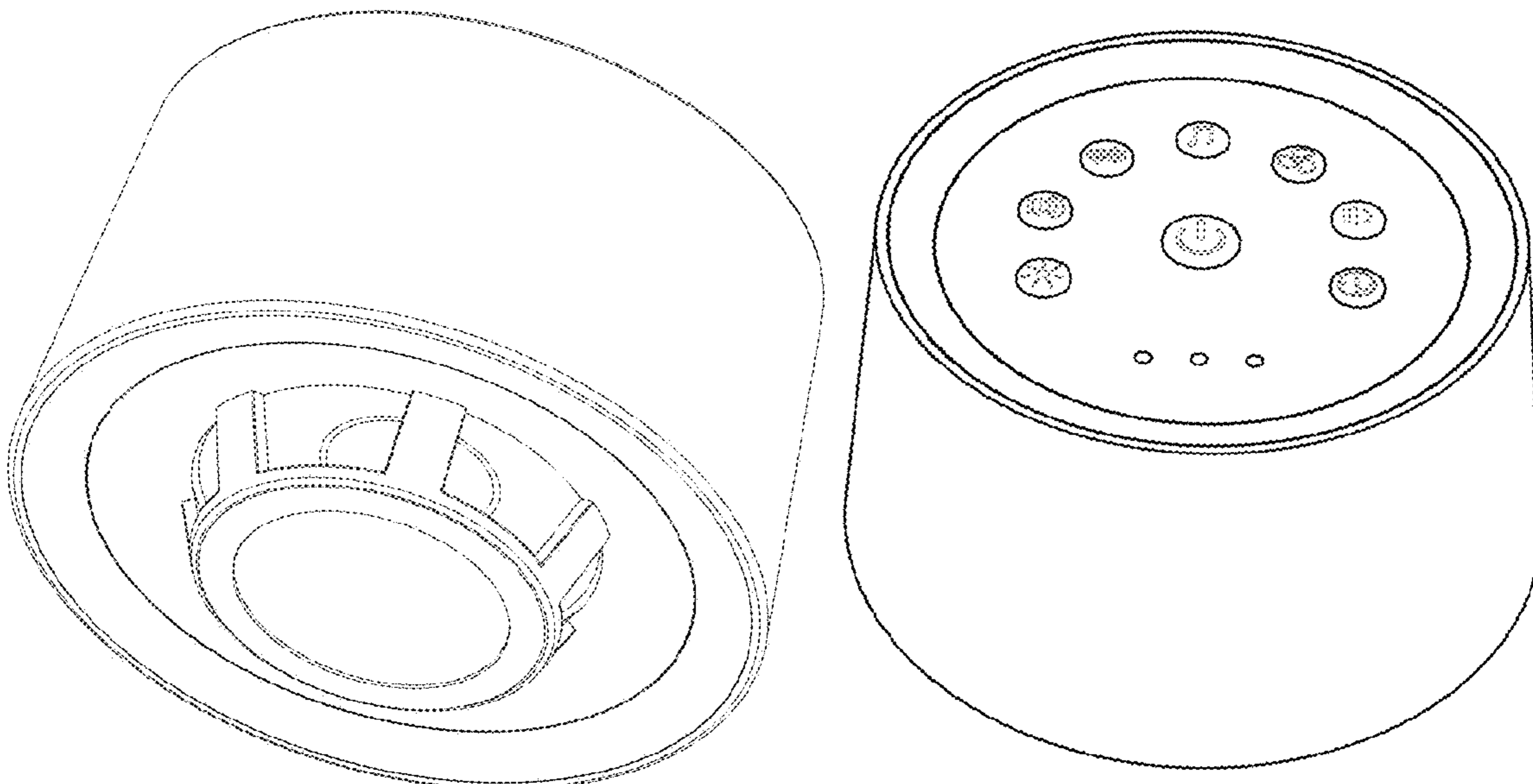
DESCRIPTION

U.S. PATENT DOCUMENTS

D192,637 S *	4/1962	Judson	D14/243
D288,560 S *	3/1987	Anderson	D14/212
D465,484 S *	11/2002	Christianson	D14/299
D790,514 S *	6/2017	Woodward	D14/230
D820,802 S *	6/2018	Hamann	D14/149
D826,205 S *	8/2018	Langhammer	D14/203.6
D862,730 S *	10/2019	Hu	D24/231
D875,079 S *	2/2020	Luo	D14/216
D889,434 S *	7/2020	Xie	D14/216
D890,120 S *	7/2020	Peng	D14/204
D907,006 S *	1/2021	Xie	D14/216
D920,538 S *	5/2021	Zhang	D24/231
2020/0030569 A1 *	1/2020	Grange	A61M 21/02

FIG. 1 is a top view of a sleep sound machine, showing the claimed design;
FIG. 2 is a right-side view thereof;
FIG. 3 is a front-side view thereof;
FIG. 4 is a rear-side view thereof;
FIG. 5 is a left-side view thereof;
FIG. 6 is a bottom view thereof;
FIG. 7 is a cross-sectional view taken in the direction of line 7-7 of FIG. 1
FIG. 8 is a bottom-perspective view thereof; and,
FIG. 9 is a top-perspective view of thereof.

1 Claim, 9 Drawing Sheets



(56)

References Cited

FOREIGN PATENT DOCUMENTS

EM 006244687-0001 * 3/2019

OTHER PUBLICATIONS

Letsfit White Noise Machine, date available: Nov. 4, 2019, [retrieved Jan. 29, 2021], Retrieved from Internet, URL: <[https://www.amazon.com/Relaxation-Letsfit-Soundtracks-Adjustable-Night-Light/dp/B07ZYLY26T/ref=asc_df_B07ZYLY26T/?tag=hyprod-20&linkCode%E2%80%A6=undefined&th=1](https://www.amazon.com/Relaxation-Letsfit-Soundtracks-Adjustable-Night-Light/dp/B07ZYLY26T/ref=asc_df_B07ZYLY26T/?tag=hyprod-20&linkCode%2E2%80%A6=undefined&th=1)> (Year: 2019).*

Dreamegg, White Noise Machine with Baby Night Light for Sleeping, accessed Mar. 1, 2020.

* cited by examiner

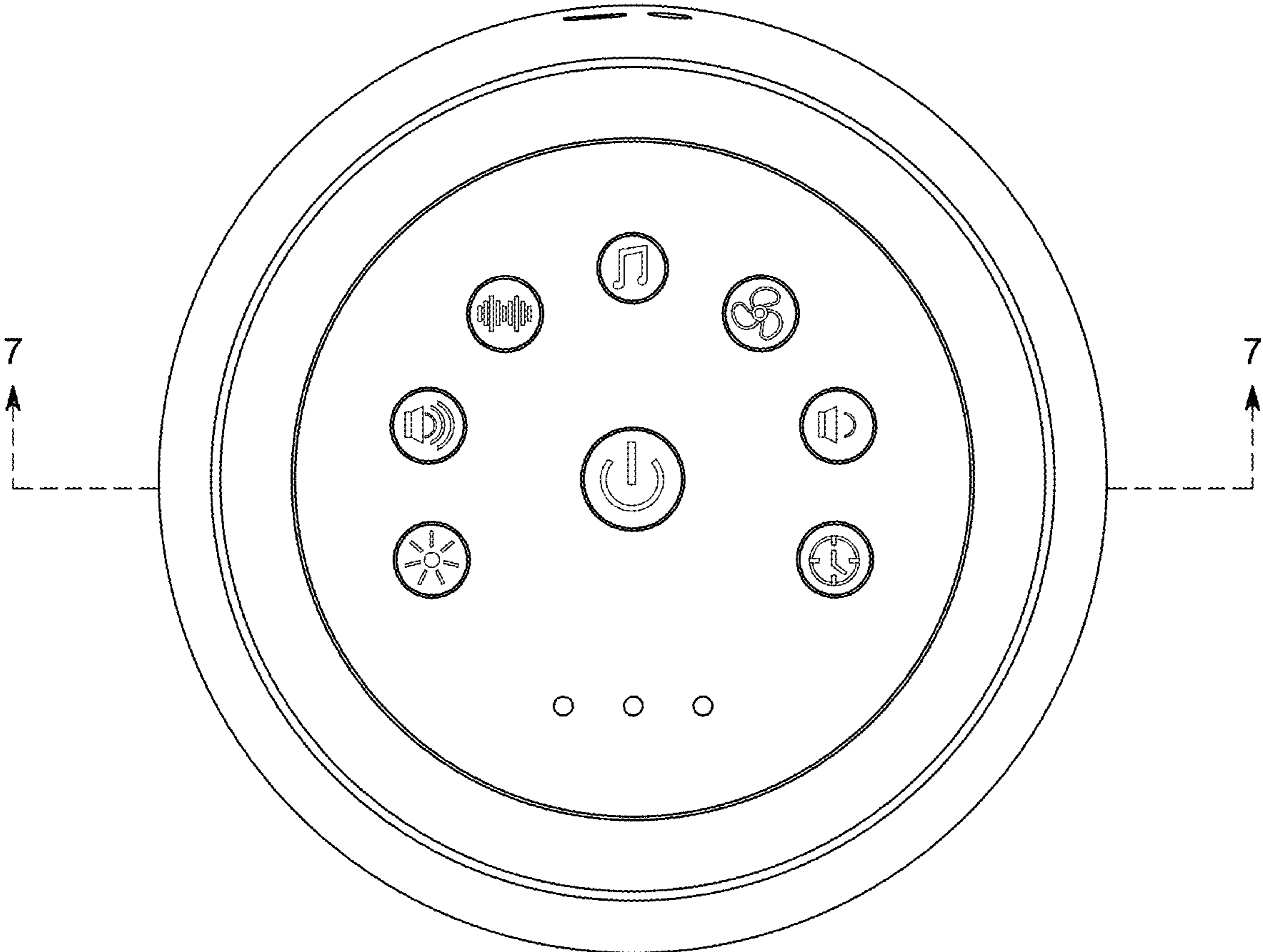


FIG. 1

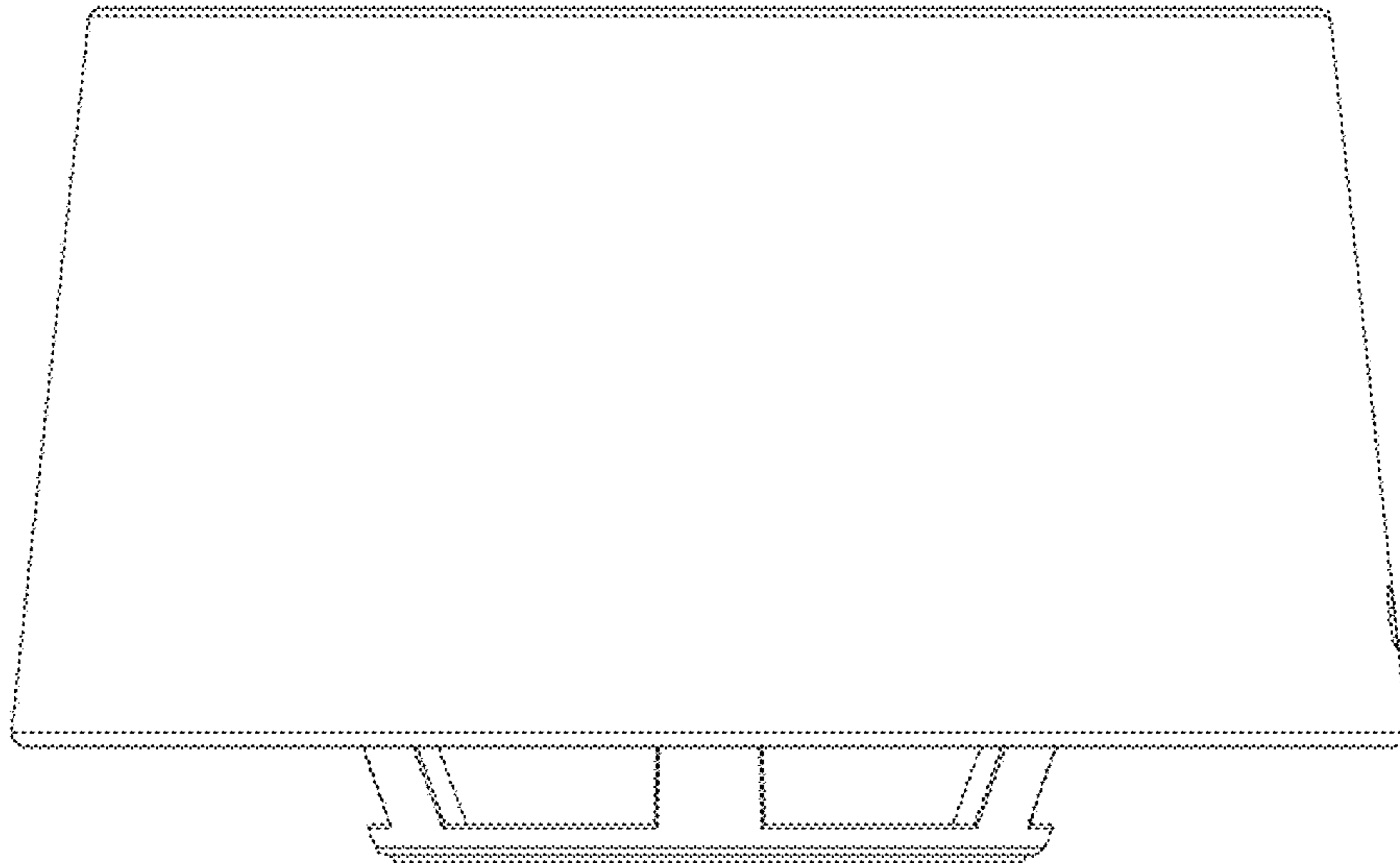


Fig. 2

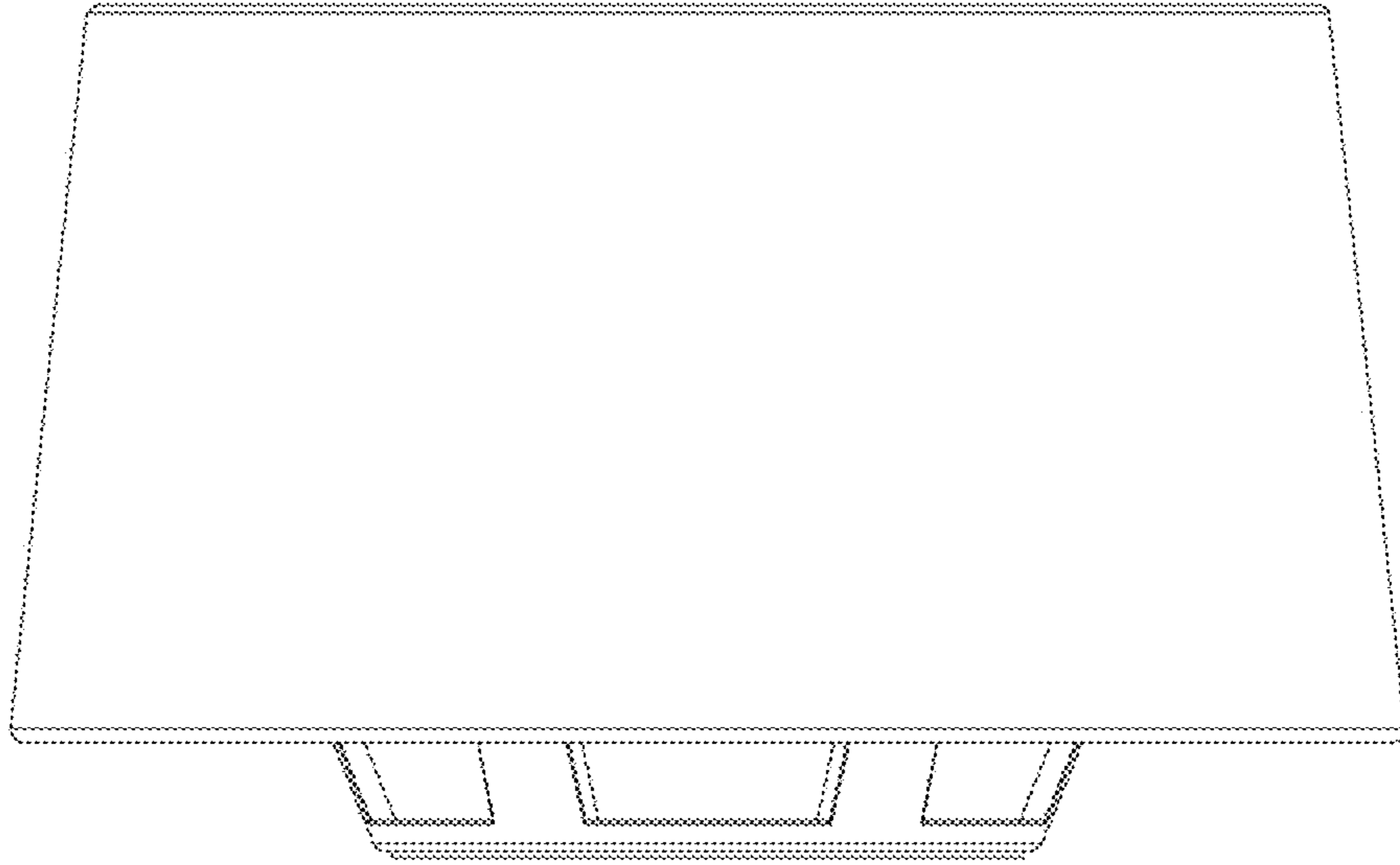


Fig. 3

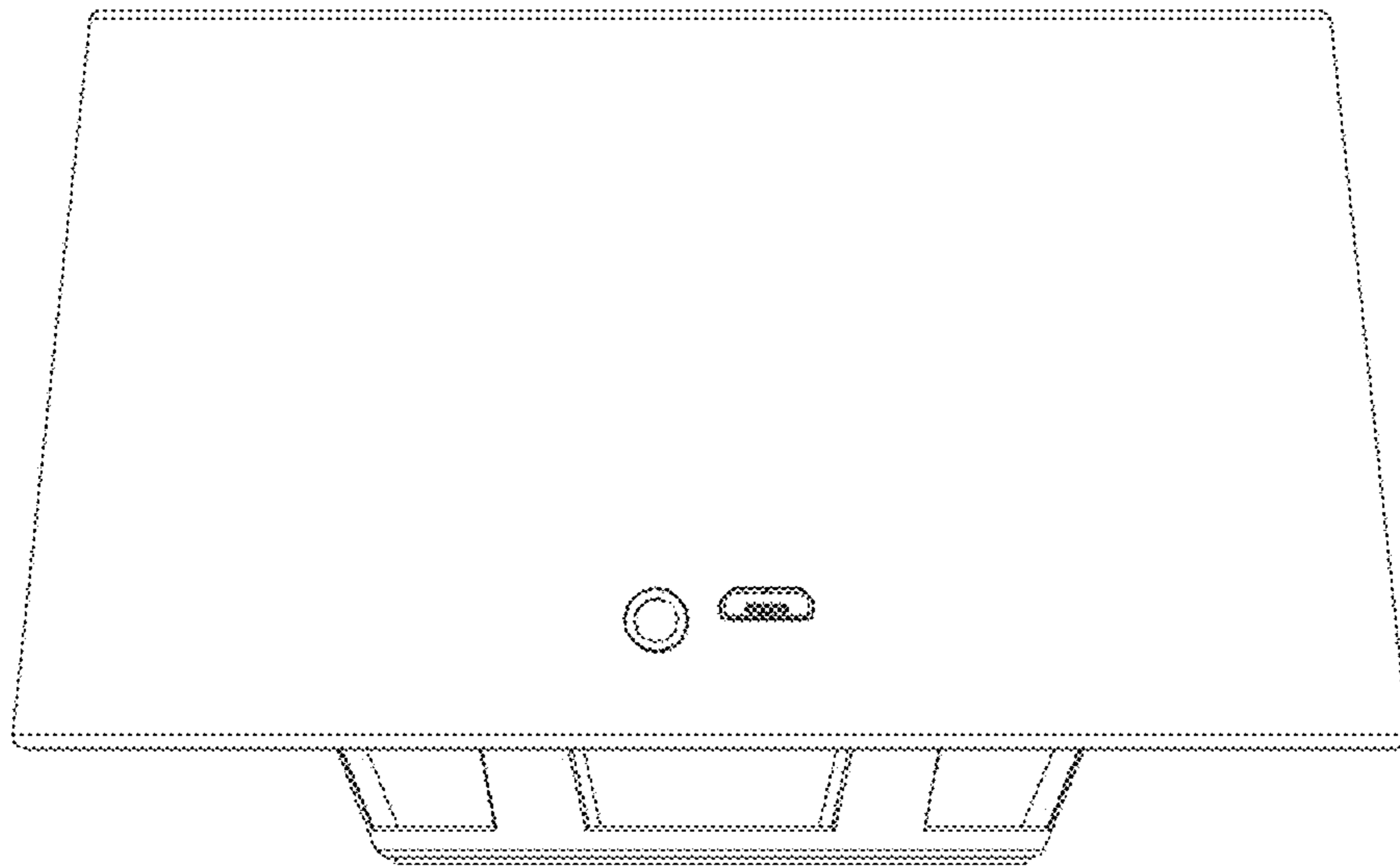


Fig. 4

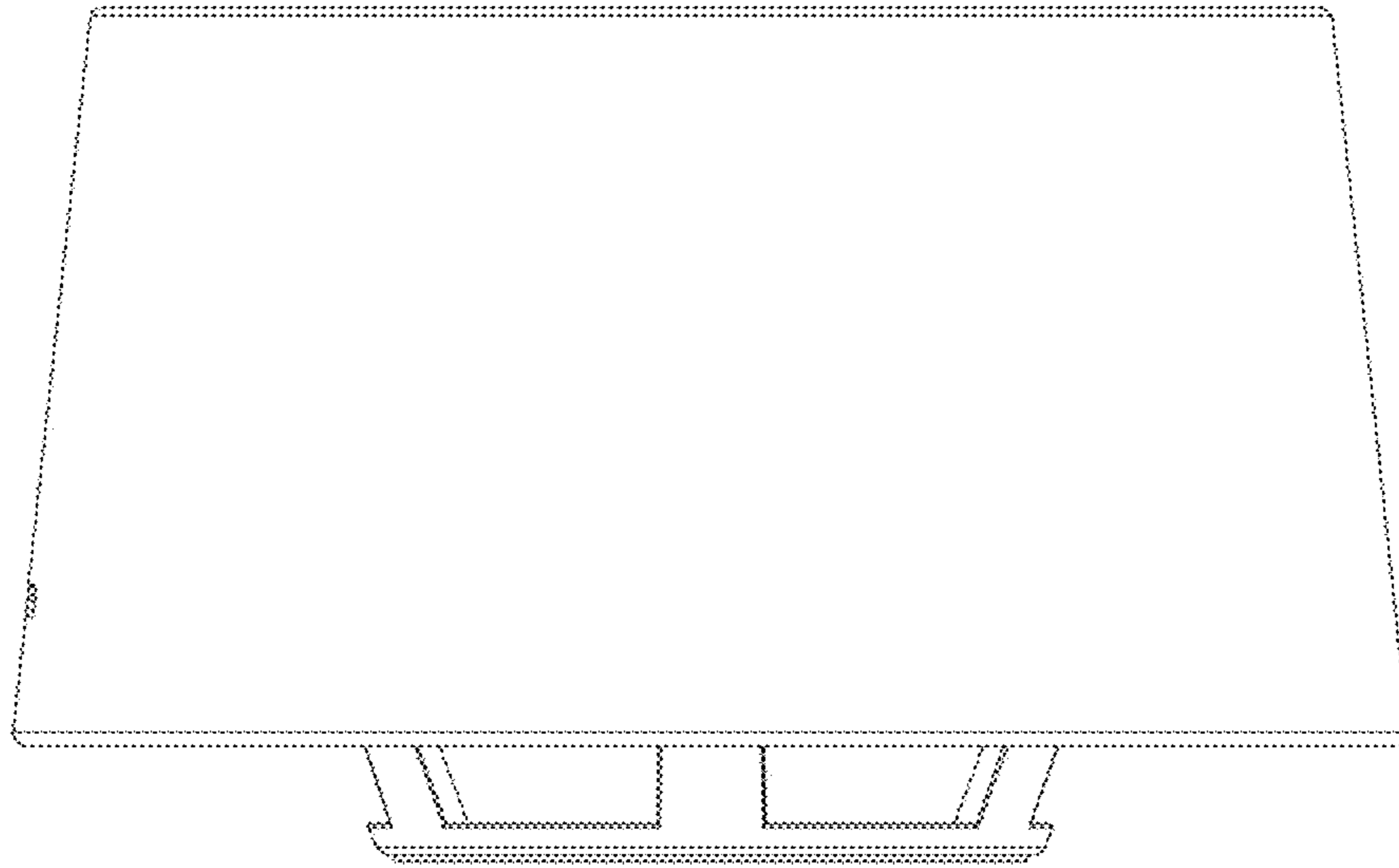


Fig. 5

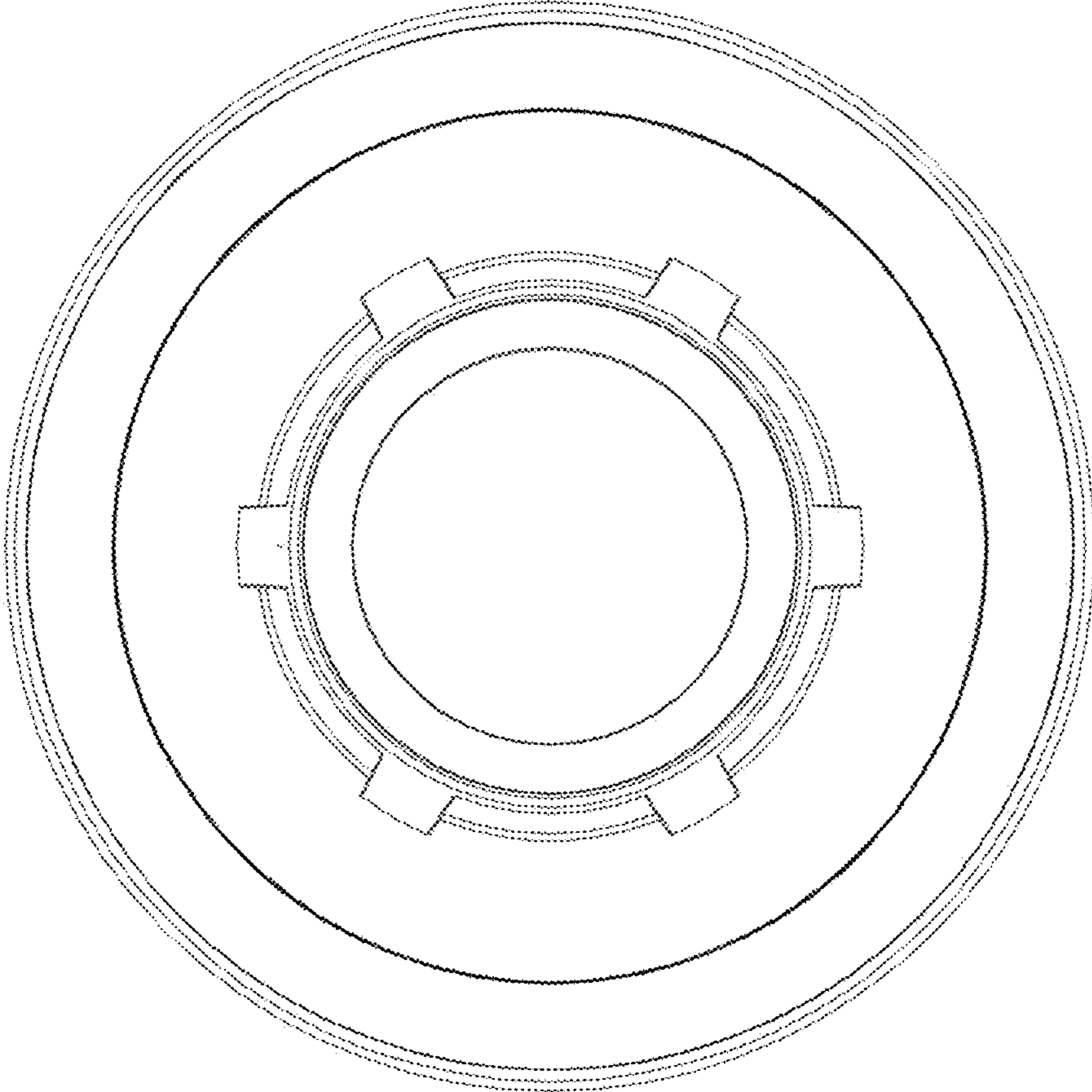


Fig. 6

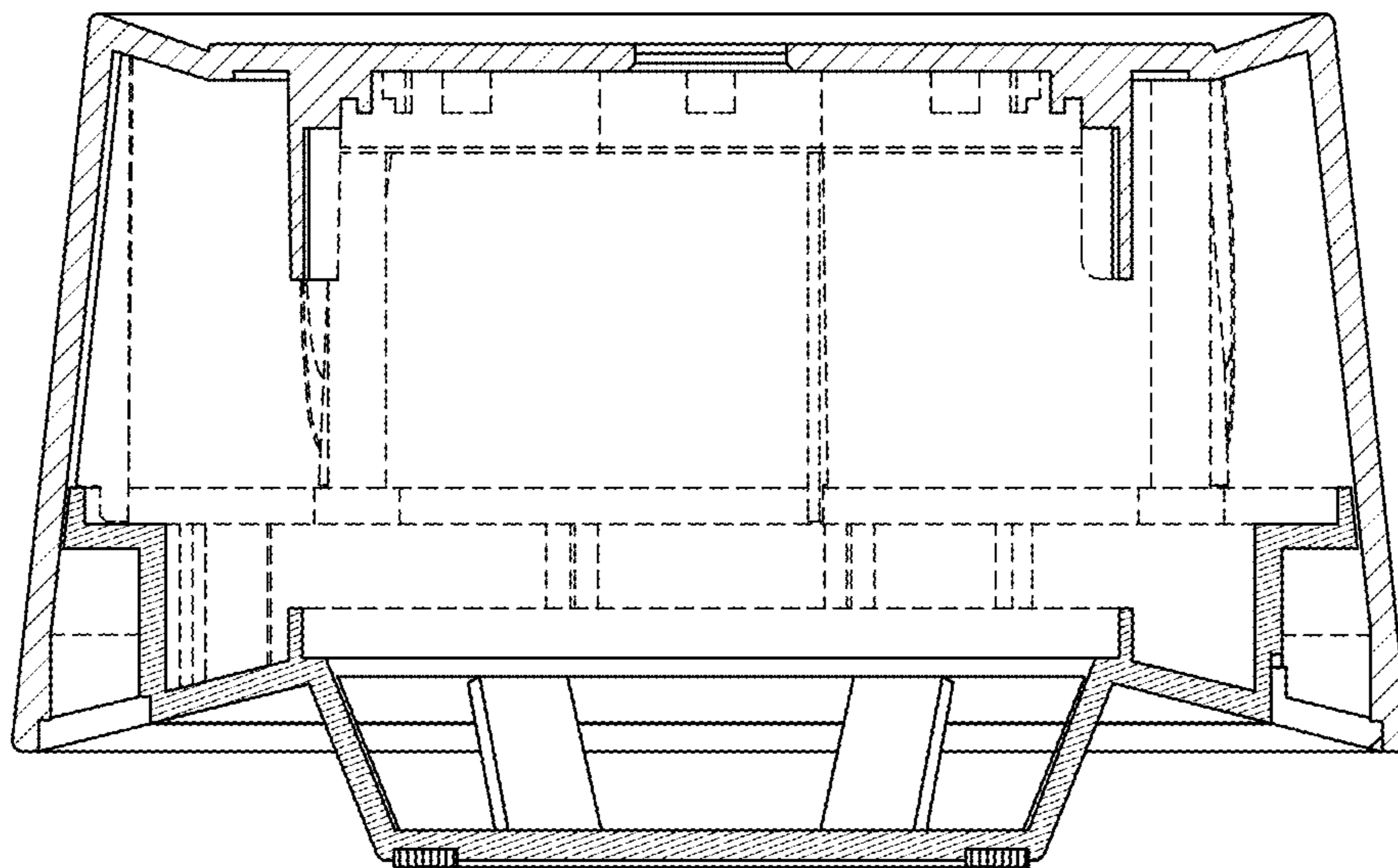


FIG. 7

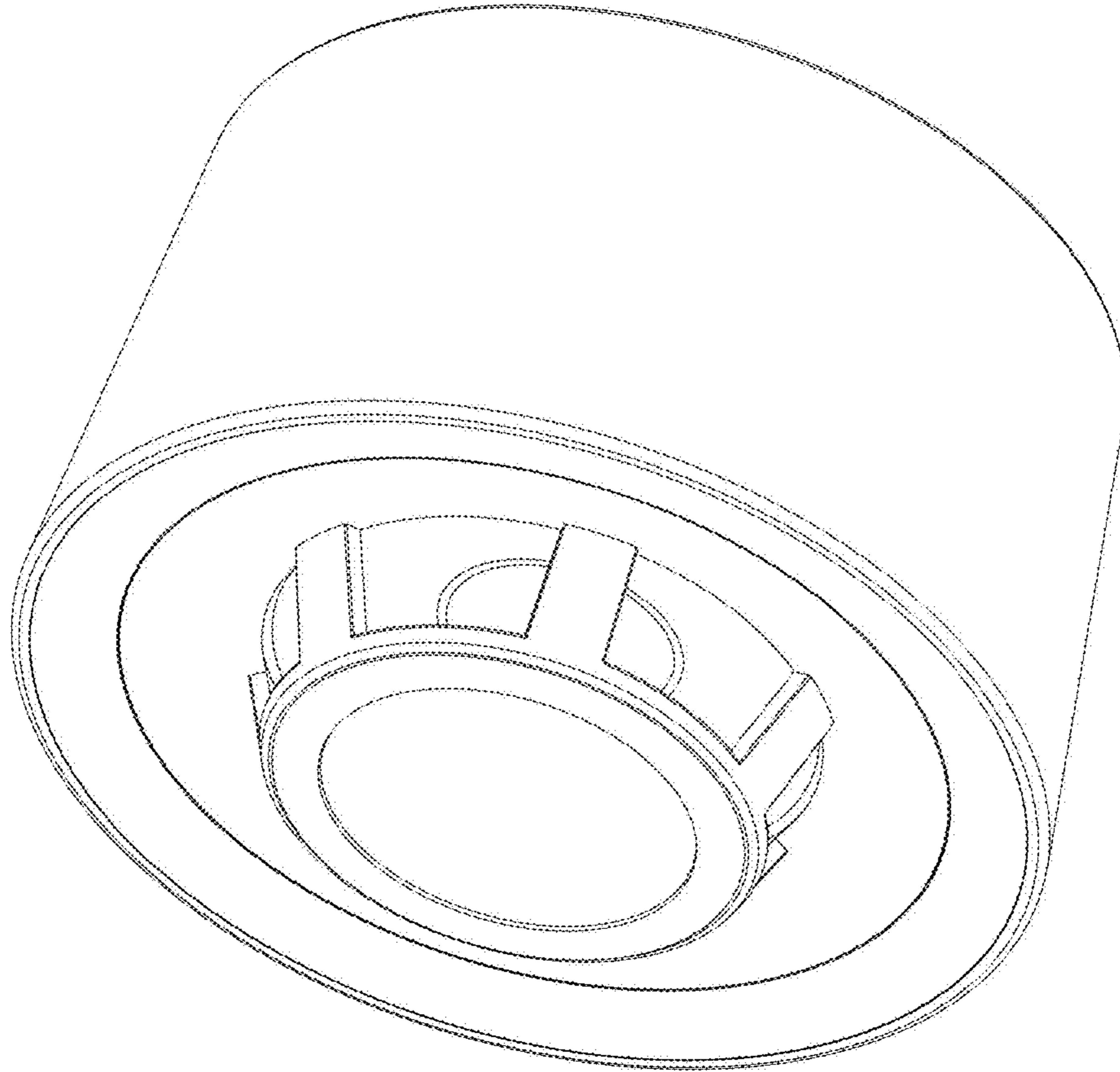


Fig. 8

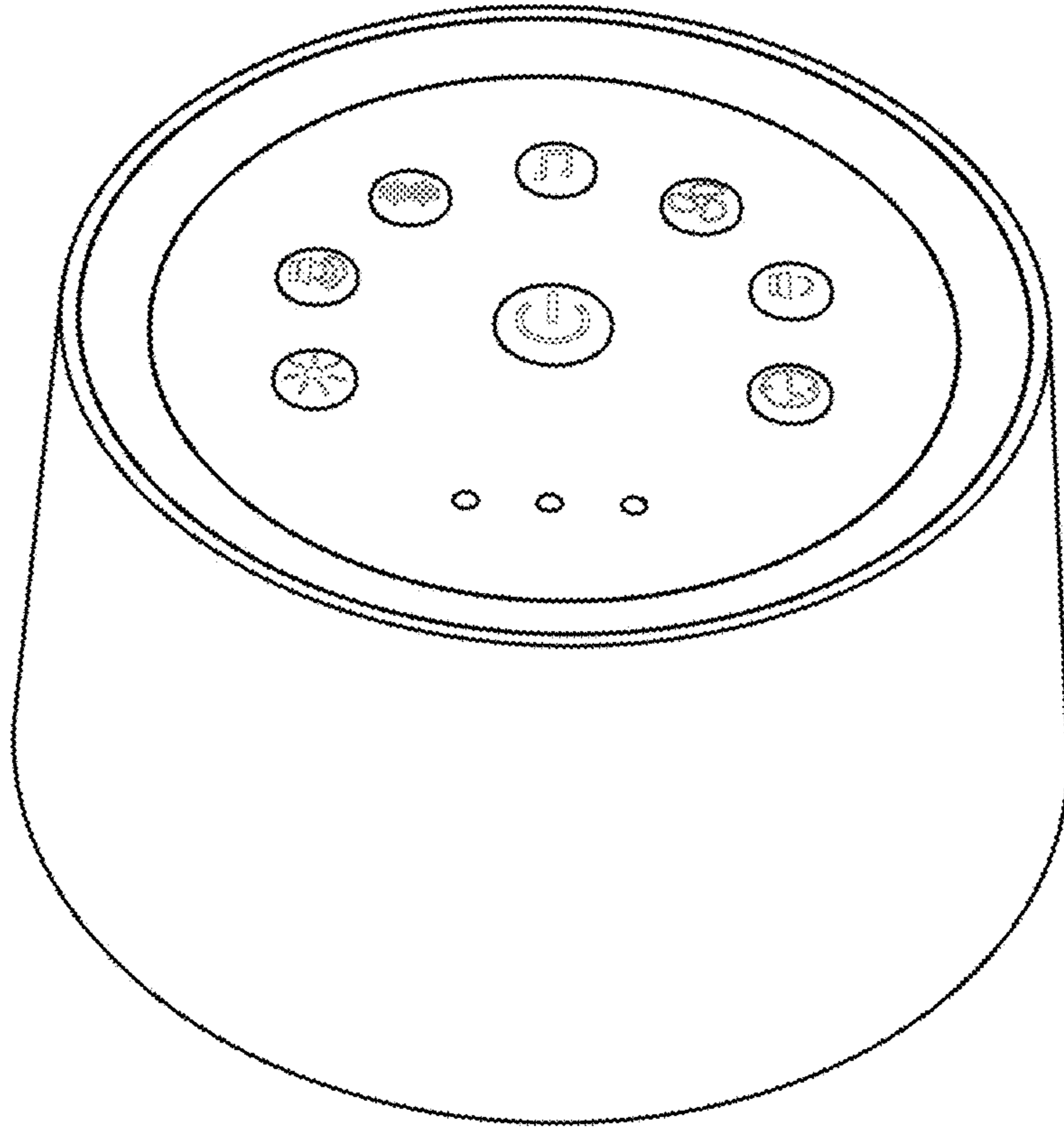


Fig. 9