



US00D939517S

(12) **United States Design Patent** (10) **Patent No.:** **US D939,517 S**
You (45) **Date of Patent:** **** Dec. 28, 2021**

(54) **MONITOR ARM**
(71) Applicant: **Ningbo Ergovida Health Technology Ltd., Ningbo (CN)**
(72) Inventor: **Xiaodong You, Ningbo (CN)**
(73) Assignee: **Ningbo Ergovida Health Technology Ltd., Ningbo (CN)**

D762,652 S * 8/2016 Dorre D14/452
D796,519 S * 9/2017 Hung D14/452
D805,085 S * 12/2017 Xiang D14/452
D807,373 S * 1/2018 Thetard D14/452
D815,105 S * 4/2018 Jung D14/452
D815,643 S * 4/2018 Bowman D14/452
D822,671 S * 7/2018 Chu D14/452
D830,371 S * 10/2018 Lau D14/452
D834,030 S * 11/2018 Lindo D14/452

(Continued)

(**) Term: **15 Years**

OTHER PUBLICATIONS

(21) Appl. No.: **29/736,009**

“Dual Monitor Stand . . .”, first available Jul. 9, 2021, amazon.com, [online], [site visited Oct. 20, 2021], Available from internet URL: <https://www.amazon.com/Monitor-Stand-soporte-Stands-Monitors/dp/B092PMRS14?th=1> (Year: 2021).*

(22) Filed: **May 27, 2020**

(51) **LOC (13) Cl.** **14-02**

(52) **U.S. Cl.**
USPC **D14/452; D14/451**

(58) **Field of Classification Search**
USPC D14/451–452; D8/380, 373, 352, 354, D8/363, 349; D12/415; D23/304
CPC F16M 11/2085; F16M 11/2092; F16M 11/2007; F16M 11/2014; F16M 11/2021; F16M 11/2028; F16M 11/2035; F16M 11/2042; F16M 11/205; F16M 11/2057; F16M 11/2064; F16M 11/2071; F16M 11/2078; G06F 1/1616

See application file for complete search history.

Primary Examiner — Christian P. McLean
Assistant Examiner — Kourosch Taie-Tehrani
(74) *Attorney, Agent, or Firm* — Knobbe Martens Olson & Bear LLP

(57) **CLAIM**

The ornamental design for a monitor arm, as shown and described.

DESCRIPTION

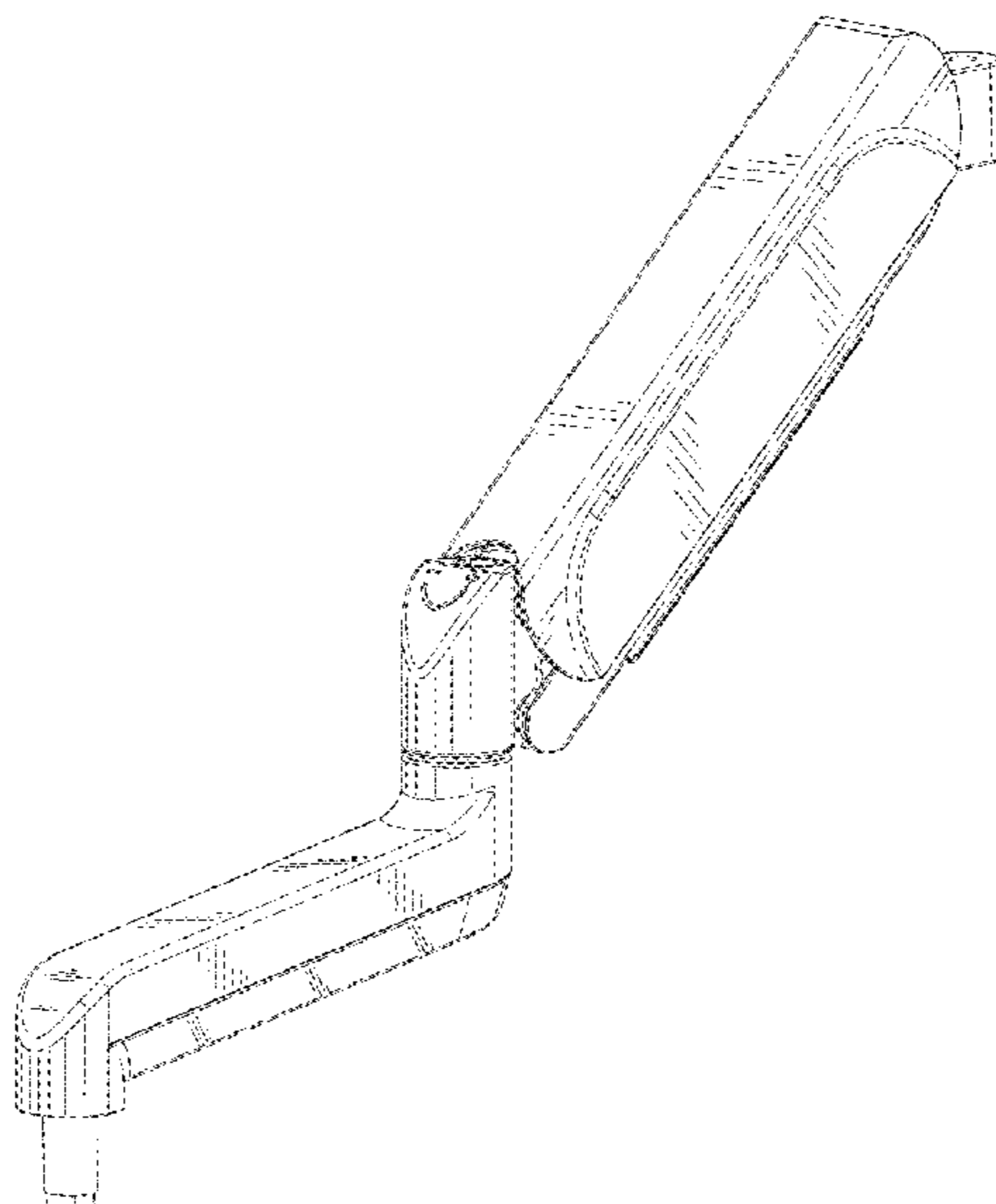
FIG. 1 is a back perspective view of the monitor arm embodying the new design;
FIG. 2 is a left side view thereof;
FIG. 3 is a right side view thereof;
FIG. 4 is a back view thereof;
FIG. 5 is a front view thereof;
FIG. 6 is a top view thereof; and
FIG. 7 is a bottom view thereof; and,
FIG. 8 is another perspective view thereof, further illustrating monitor and desk attachment mechanisms.
Broken lines are used to illustrate features of the monitor arm that form no part of the claimed design.

(56) **References Cited**

U.S. PATENT DOCUMENTS

D555,657 S * 11/2007 Loyd D14/452
D557,125 S * 12/2007 Worrall D14/452
D598,917 S * 8/2009 Luber D14/375
D631,052 S * 1/2011 Hung D14/452
D654,503 S * 2/2012 Sapper D14/452
D666,207 S * 8/2012 Brandt D14/452
D679,282 S * 4/2013 Liu D14/452
D688,674 S * 8/2013 Lau D14/452
D740,830 S * 10/2015 Chu D14/452
D745,873 S * 12/2015 Xiang D14/452
D751,566 S * 3/2016 Anderson D14/452

1 Claim, 8 Drawing Sheets



(56)

References Cited

U.S. PATENT DOCUMENTS

D842,306	S	*	3/2019	Lindo	D14/452
D843,379	S	*	3/2019	Lindo	D14/452
D843,380	S	*	3/2019	Lindo	D14/452
D847,823	S	*	5/2019	Monsalve	D14/452
D848,444	S	*	5/2019	Jung	D14/452
D849,013	S	*	5/2019	Monsalve	D14/452
D877,744	S	*	3/2020	Xiang	D14/452
D896,817	S	*	9/2020	McKay	D14/452
D916,709	S	*	4/2021	Hung	D14/452
D918,218	S	*	5/2021	Lyu	D14/452
D919,631	S	*	5/2021	Shu	D14/452
D920,988	S	*	6/2021	Shu	D14/452
D921,645	S	*	6/2021	Shu	D14/452
D922,394	S	*	6/2021	Lu	D14/452
D926,196	S	*	7/2021	Lyu	D14/452
D926,776	S	*	8/2021	You	D14/452
D928,793	S	*	8/2021	Shu	D14/452

* cited by examiner

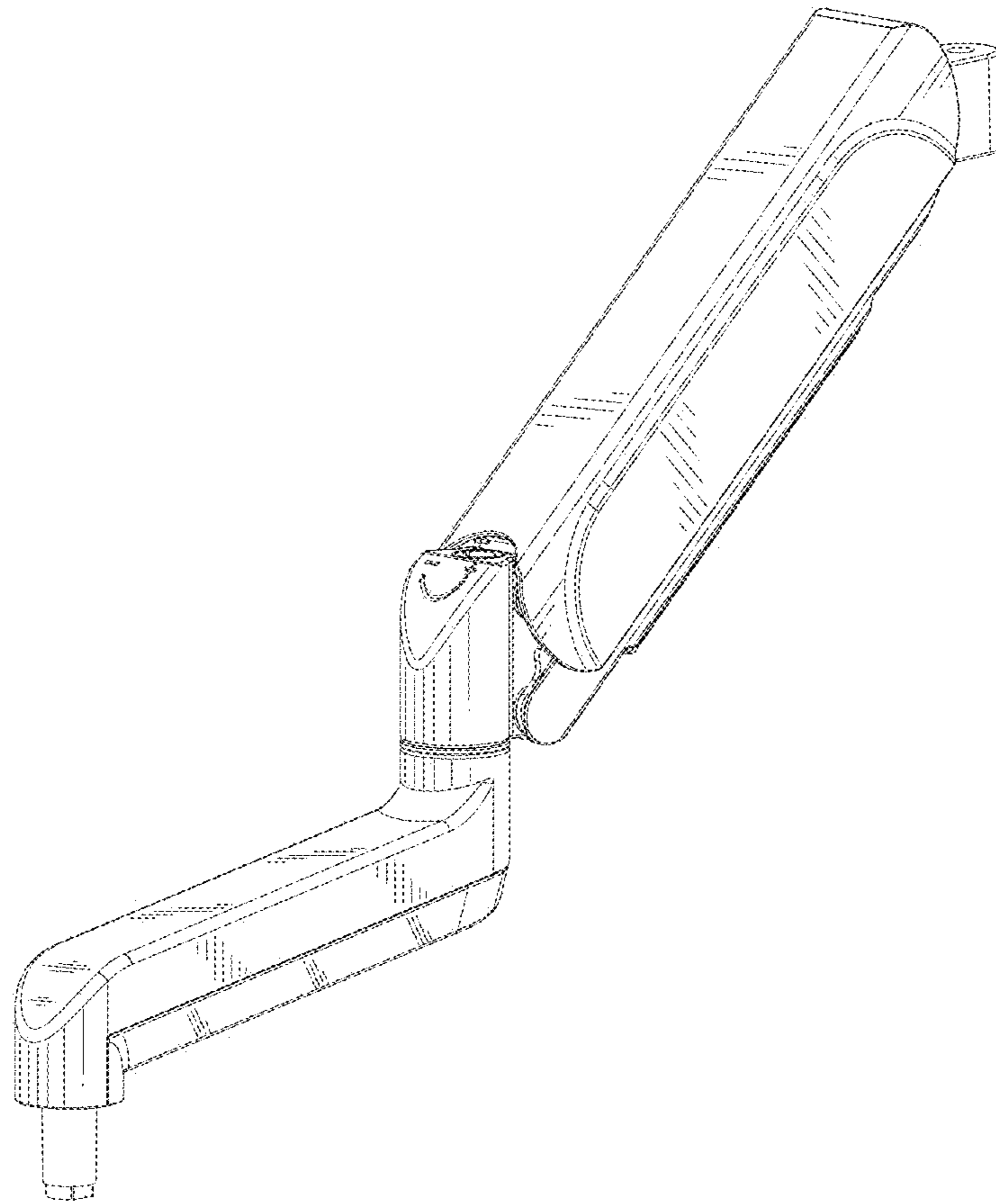


Fig.1

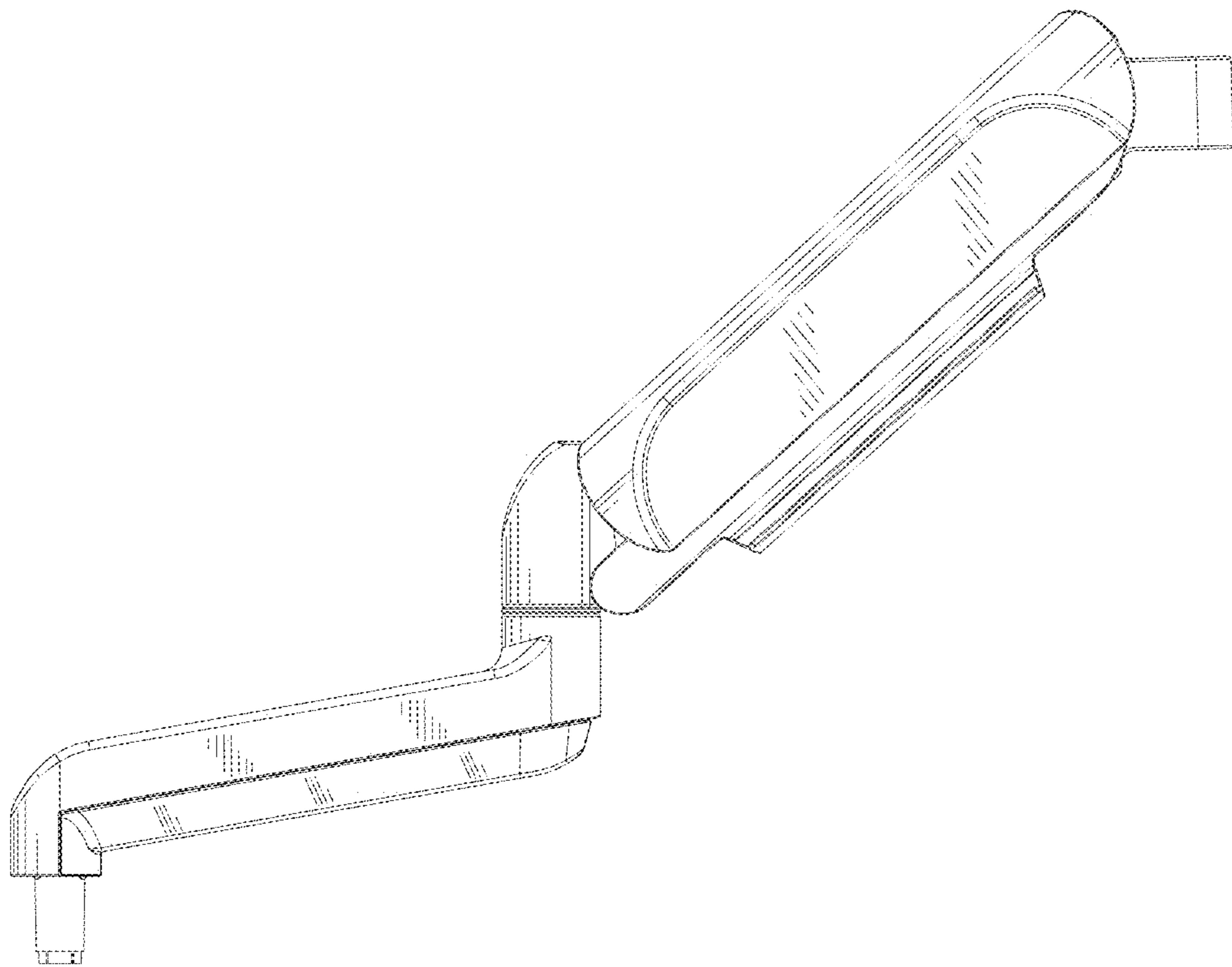


Fig.2

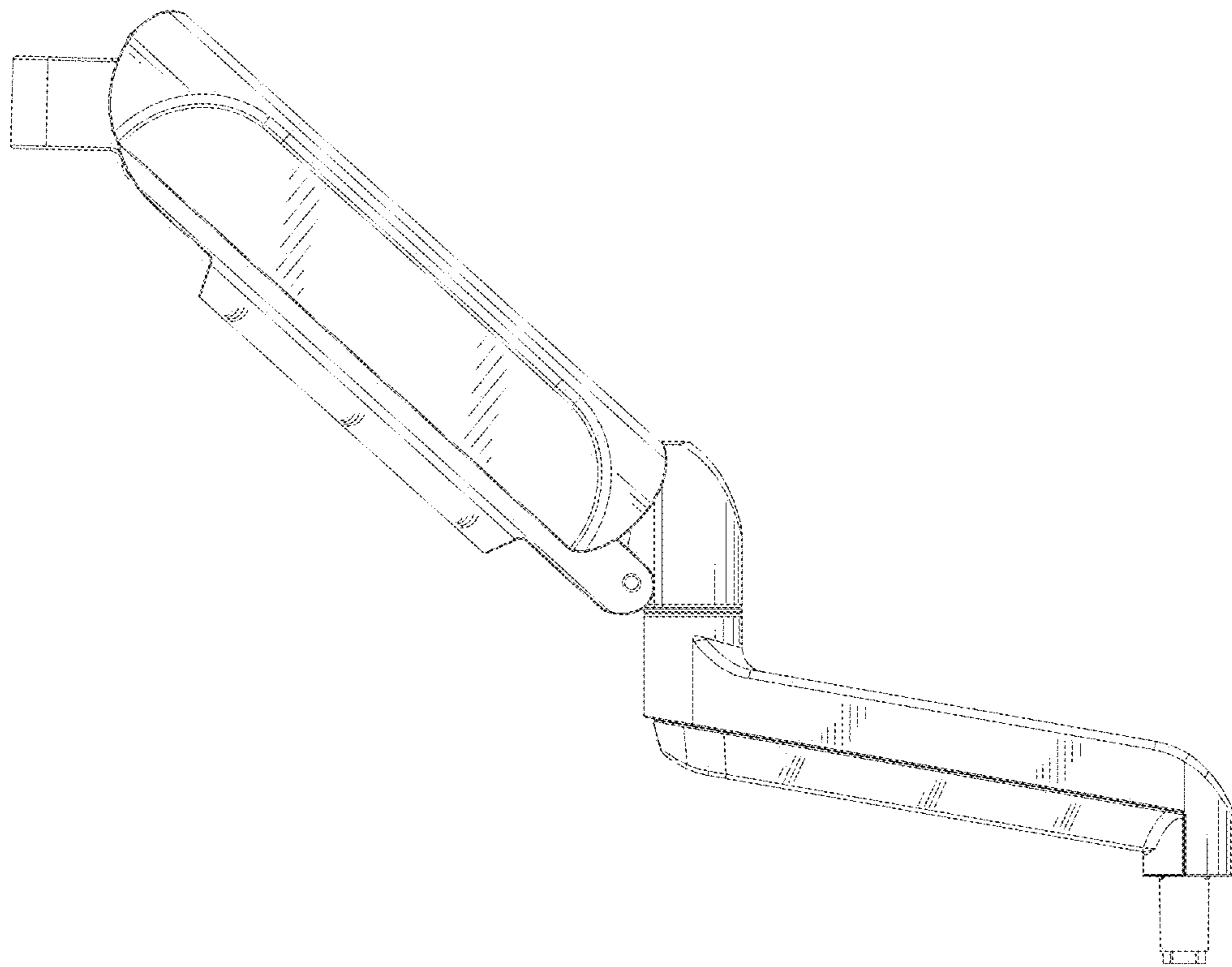


Fig.3

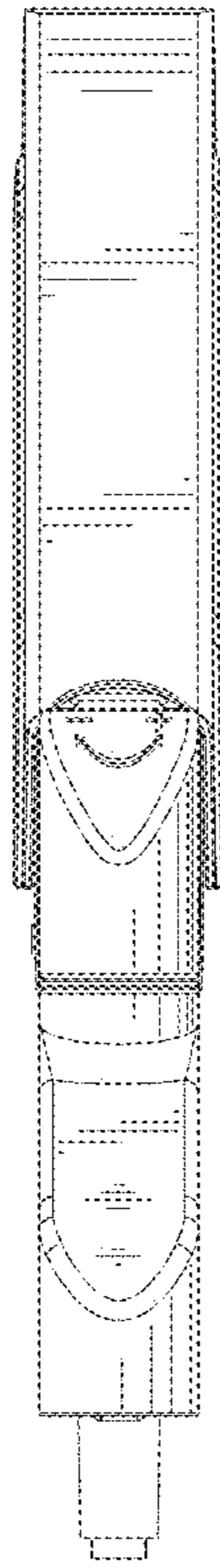


Fig.4

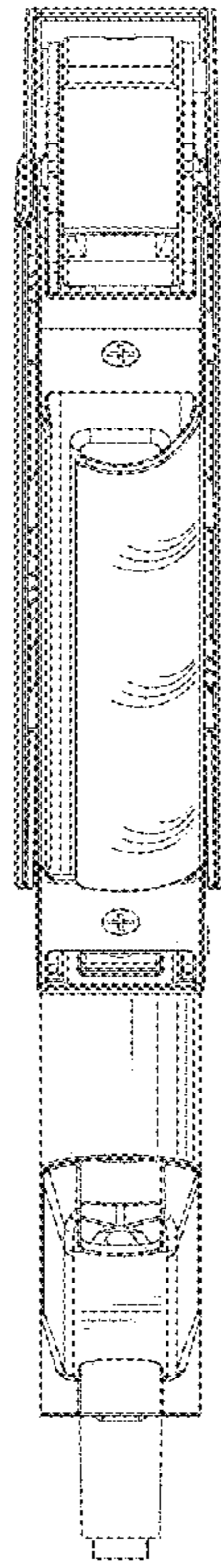


Fig.5

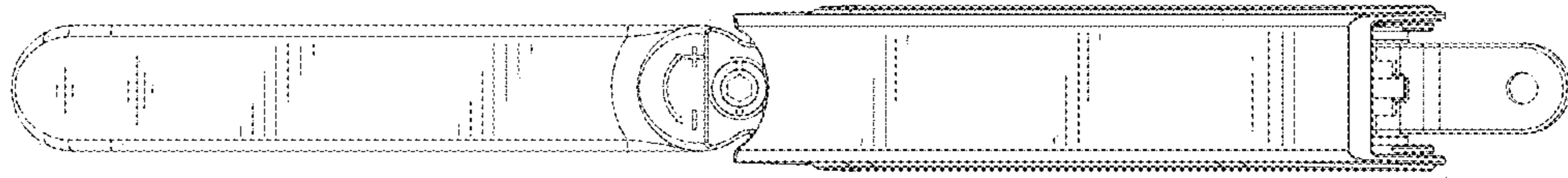


Fig.6

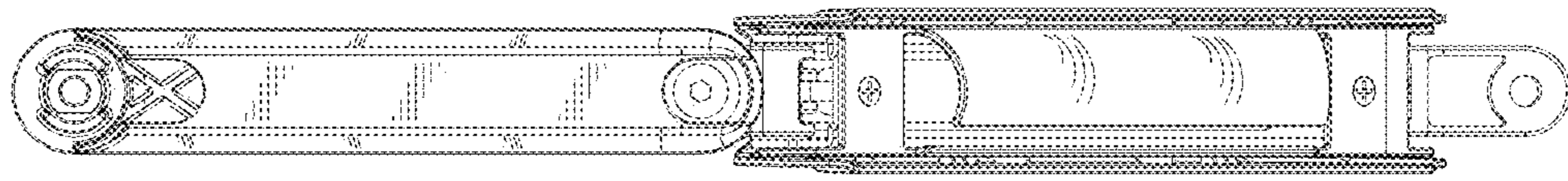


Fig.7

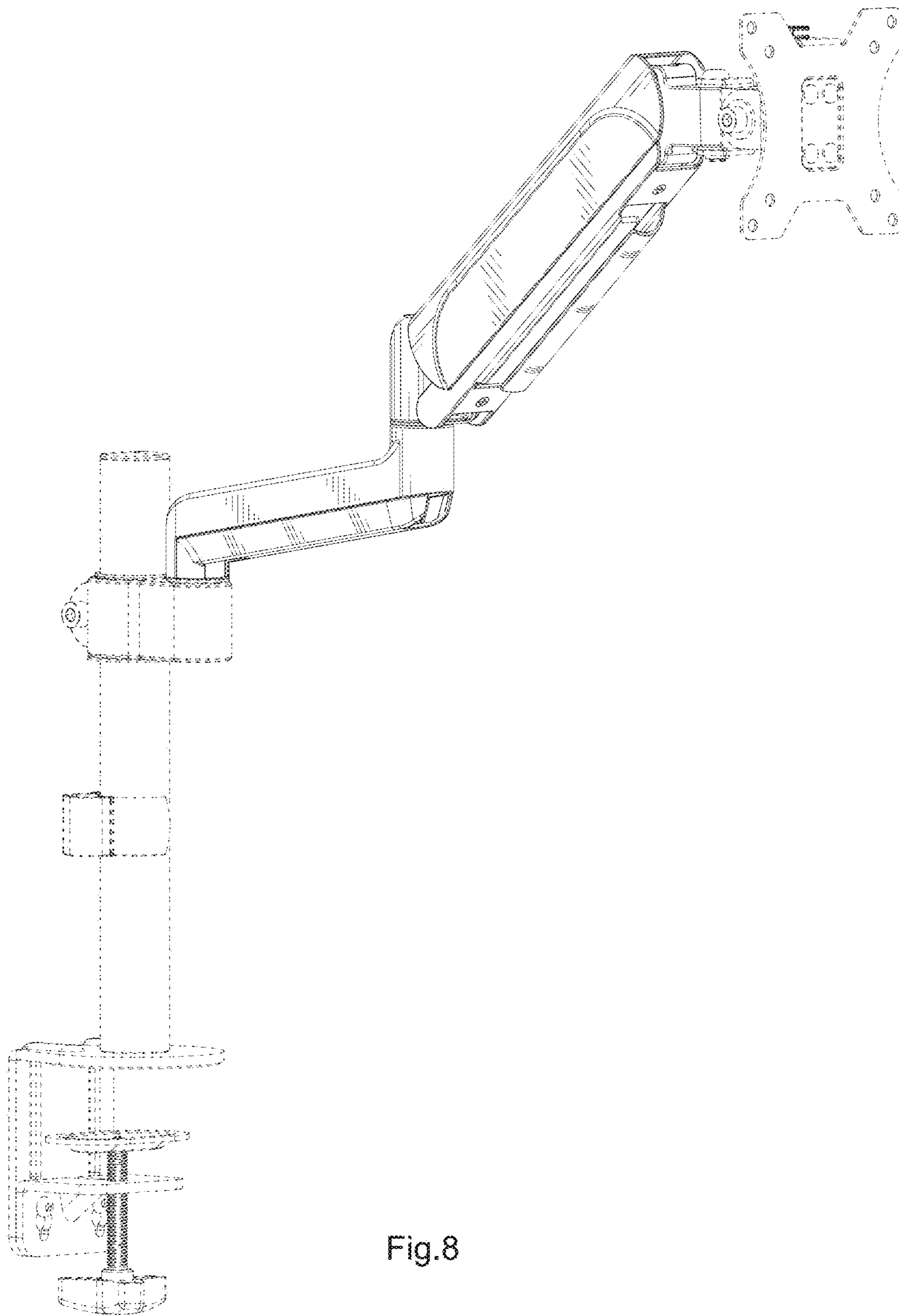


Fig.8