



US00D939516S

(12) **United States Design Patent** (10) **Patent No.:** **US D939,516 S**
You (45) **Date of Patent:** **** Dec. 28, 2021**

(54) **MONITOR ARM** 8,070,114 B2 * 12/2011 Chen F16M 11/14
248/121
(71) Applicant: **Ningbo Ergovida Health Technology** D654,503 S * 2/2012 Sapper D14/452
Ltd., Ningbo (CN) D666,207 S * 8/2012 Brandt D14/452
8,366,060 B2 * 2/2013 Hung F16M 11/041
248/124.1
(72) Inventor: **Xiaodong You, Ningbo (CN)** D679,282 S * 4/2013 Liu D14/452
D688,674 S * 8/2013 Lau D14/452
(73) Assignee: **NINGBO ERGOVIDA HEALTH** 8,777,172 B2 * 7/2014 Sapper F16M 11/08
TECHNOLOGY LTD., Ningbo (CN) 248/274.1

(Continued)

(**) Term: **15 Years**

OTHER PUBLICATIONS

(21) Appl. No.: **29/721,609**

“Dual Monitor Stand . . .”, first available Aug. 12, 2020, amazon.com, [online], [site visited Oct. 19, 2021], Available from internet URL: <https://www.amazon.com/EVEO-Dual-Monitor-Mount-economy/dp/B08FRLJBVV> (Year: 2020).*

(22) Filed: **Jan. 22, 2020**

(51) **LOC (13) Cl.** **14-02**

(52) **U.S. Cl.**
USPC **D14/452; D14/451**

(58) **Field of Classification Search**
USPC D14/451–452; D8/380, 373, 352, 354,
D8/363, 349; D12/415; D23/304
CPC G06F 1/1616; F16M 11/2092; F16M
11/2007; F16M 11/2014; F16M 11/2021;
F16M 11/2028; F16M 11/2035; F16M
11/2042; F16M 11/205; F16M 11/2057;
F16M 11/2064; F16M 11/2071; F16M
11/2078; F16M 11/2085

Primary Examiner — Christian P. McLean
Assistant Examiner — Kourosh Taie-Tehrani
(74) *Attorney, Agent, or Firm* — Knobbe Martens Olson
& Bear LLP

See application file for complete search history.

(57) **CLAIM**

The ornamental design for a monitor arm, as shown and described.

(56) **References Cited**

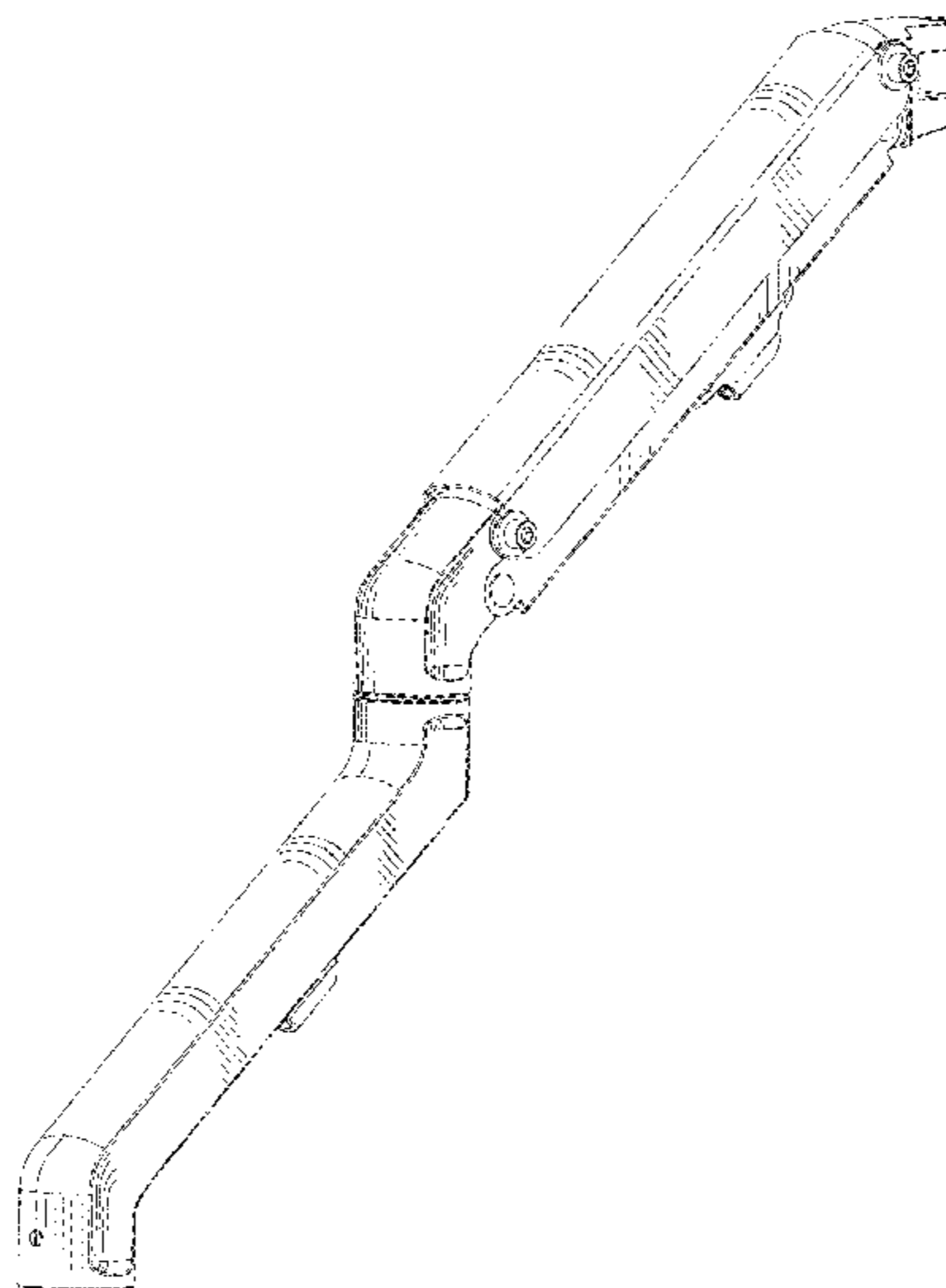
DESCRIPTION

U.S. PATENT DOCUMENTS

6,695,270 B1 * 2/2004 Smed G06F 1/1601
248/274.1
D555,657 S * 11/2007 Loyd D14/452
D557,125 S * 12/2007 Worrall D14/452
7,338,022 B2 * 3/2008 Hung F16M 11/041
248/278.1
7,389,965 B2 * 6/2008 Oddsen, Jr F16M 11/10
248/274.1
D598,917 S * 8/2009 Luber D14/375
7,694,927 B2 * 4/2010 Chuang F16M 11/041
248/276.1
D631,052 S * 1/2011 Hung D14/452

FIG. 1 is a perspective view of the monitor arm embodying the new design;
FIG. 2 is a left side view thereof;
FIG. 3 is a right side view thereof;
FIG. 4 is a back view thereof;
FIG. 5 is a front view thereof;
FIG. 6 is a top view thereof; and,
FIG. 7 is a bottom view thereof.
Broken lines are used to illustrate features of the monitor arm that form no part of the claimed design.

1 Claim, 7 Drawing Sheets



(56)

References Cited

U.S. PATENT DOCUMENTS

8,931,748 B2 *	1/2015	Bowman	F16M 11/10					
				248/280.11					
D740,830 S *	10/2015	Chu	D14/452					
D745,873 S *	12/2015	Xiang	D14/452					
D751,566 S *	3/2016	Anderson	D14/452					
D762,652 S *	8/2016	Dorre	D14/452					
D796,519 S *	9/2017	Hung	D14/452					
D805,085 S *	12/2017	Xiang	D14/452					
D807,373 S *	1/2018	Thetard	D14/452					
D815,105 S *	4/2018	Jung	D14/452					
D815,643 S *	4/2018	Bowman	D14/452					
D822,671 S *	7/2018	Chu	D14/452					
D830,371 S *	10/2018	Lau	D14/452					
D834,030 S *	11/2018	Lindo	D14/452					
D842,306 S *	3/2019	Lindo	D14/452					
D843,379 S *	3/2019	Lindo	D14/452					
D843,380 S *	3/2019	Lindo	D14/452					
D847,823 S *	5/2019	Monsalve	D14/452					
D848,444 S *	5/2019	Jung	D14/452					
D849,013 S *	5/2019	Monsalve	D14/452					
D877,744 S *	3/2020	Xiang	D14/452					
D896,817 S *	9/2020	McKay	D14/452					
D897,541 S *	9/2020	Borloz	D24/184					
D916,709 S *	4/2021	Hung	D14/452					
D918,218 S *	5/2021	Lyu	D14/452					
D919,631 S *	5/2021	Shu	D14/452					
D920,988 S *	6/2021	Shu	D14/452					
D921,645 S *	6/2021	Shu	D14/452					
D922,364 S *	6/2021	Shu	D14/239					
D922,394 S *	6/2021	Lu	D14/452					
D926,196 S *	7/2021	Lyu	D14/452					
D926,776 S *	8/2021	You	D14/452					
D928,793 S *	8/2021	Shu	D14/452					
2007/0040084 A1 *	2/2007	Sturman	F16M 11/041					
				248/280.11					
2008/0029661 A1 *	2/2008	Chen	F16M 11/105					
				248/176.1					
2011/0303805 A1 *	12/2011	Lau	F16M 11/126					
				248/125.8					
2017/0191607 A1 *	7/2017	Huang	F16M 11/10					
2019/0295446 A1 *	9/2019	Hung	F16M 13/02					
2020/0063911 A1 *	2/2020	Xiang	F16M 11/10					

* cited by examiner

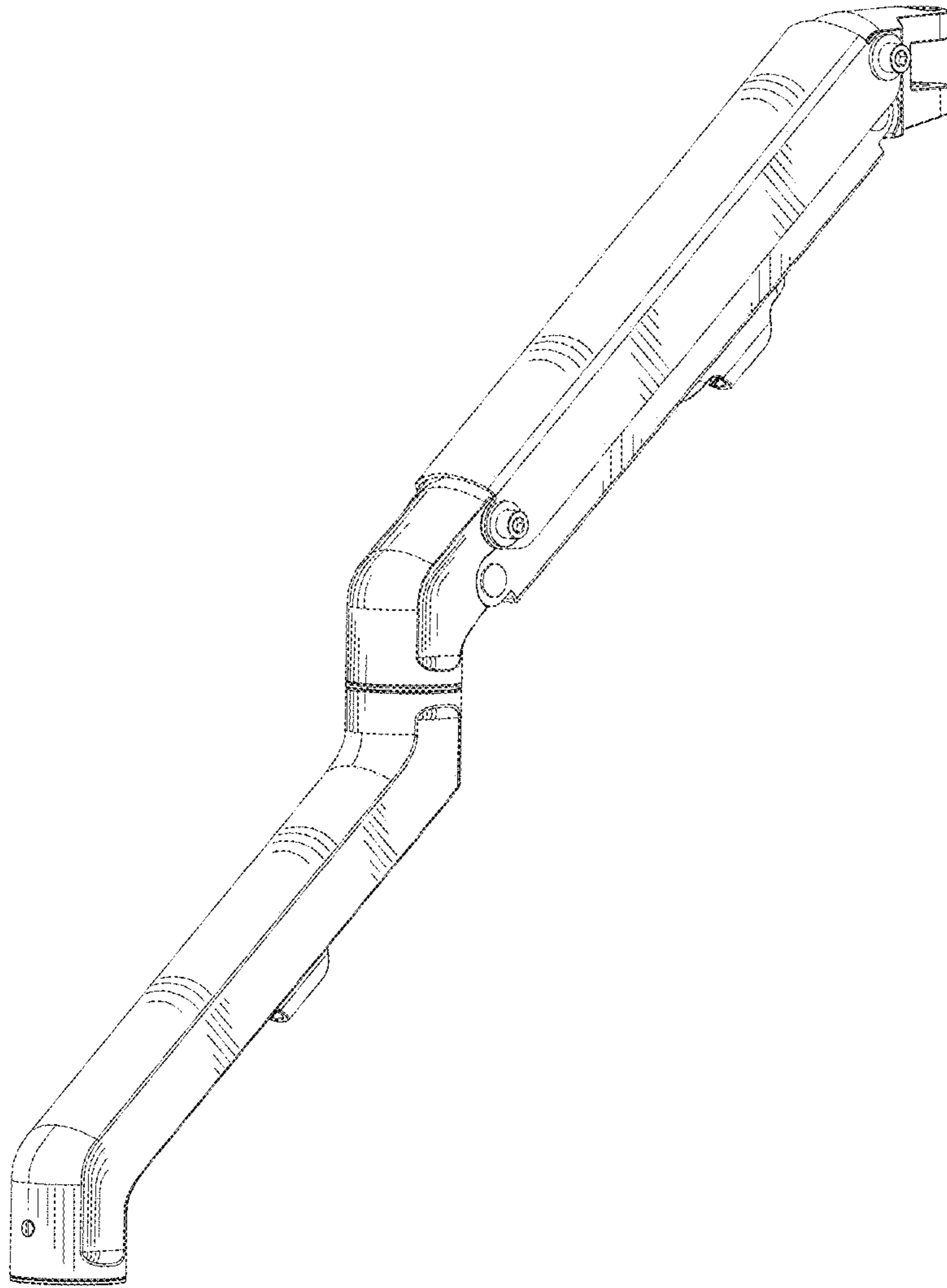


Fig. 1

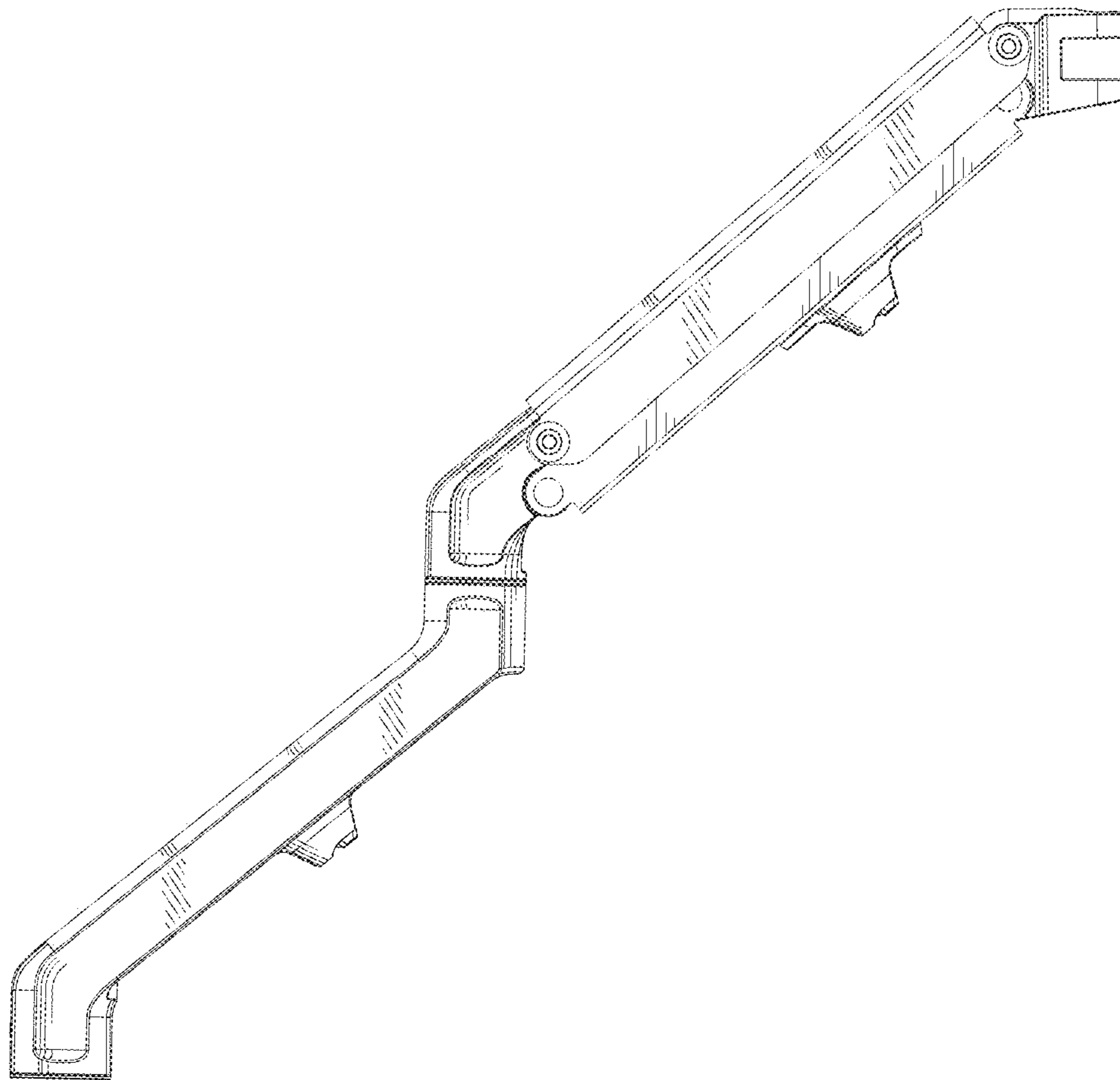


Fig.2

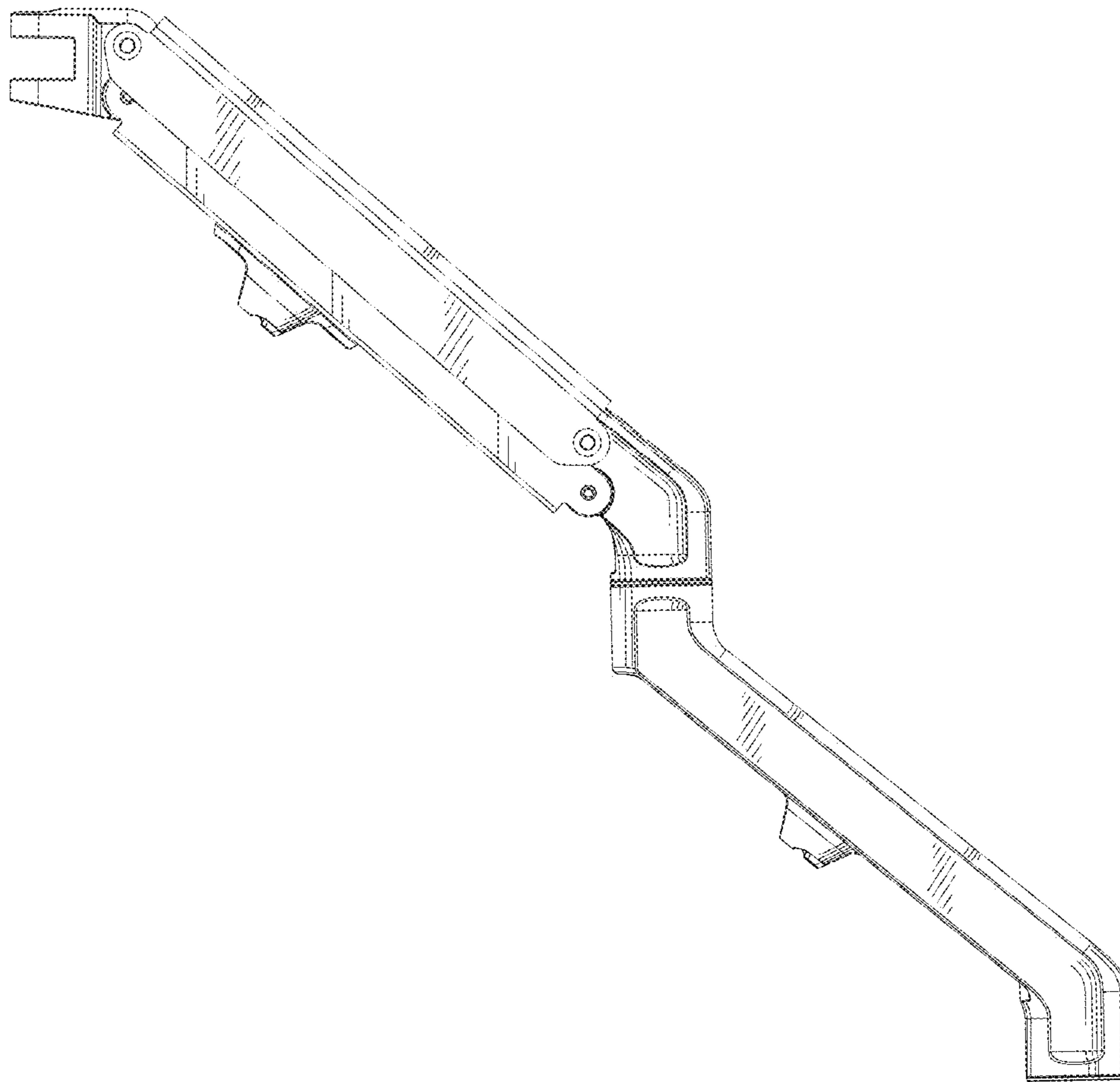


Fig.3

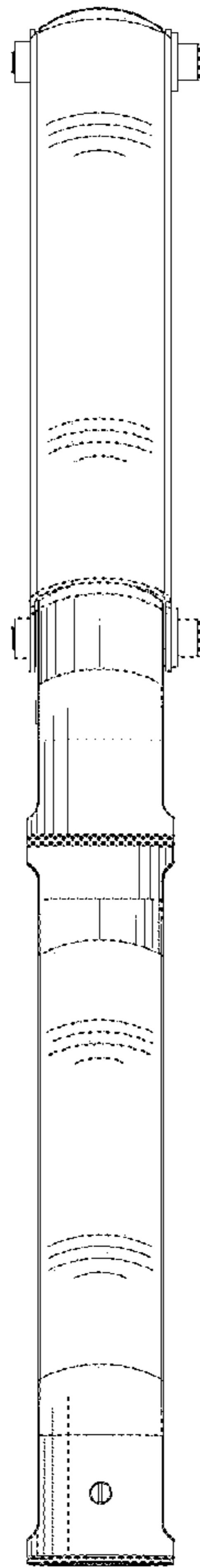


Fig.4

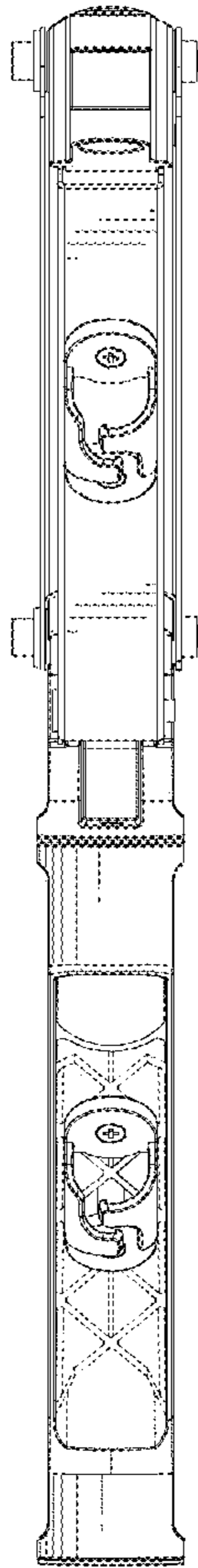


Fig.5

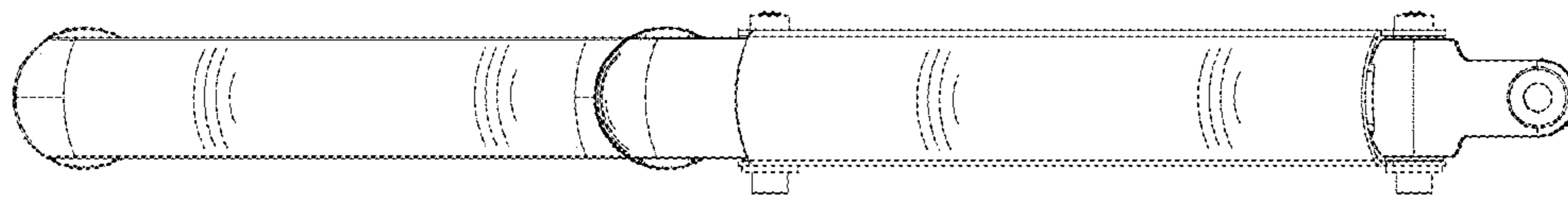


Fig.6

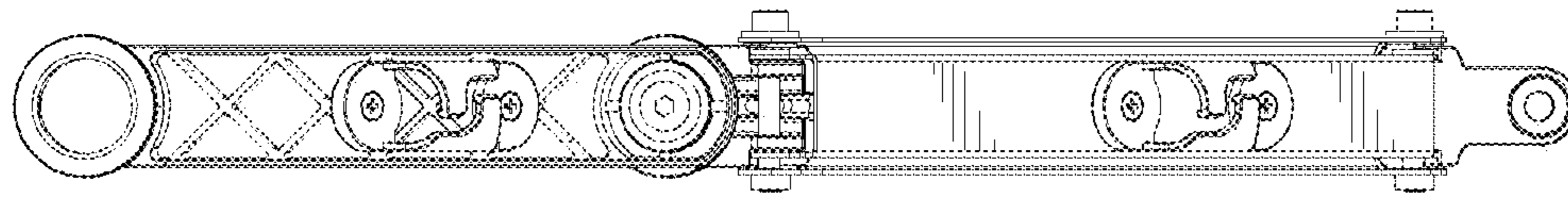


Fig.7