



US00D939515S

(12) **United States Design Patent**
Zhang et al.

(10) **Patent No.:** **US D939,515 S**

(45) **Date of Patent:** **** Dec. 28, 2021**

(54) **LAPTOP STAND**

(71) Applicant: **UGREEN GROUP LIMITED,**
Shenzhen (CN)

(72) Inventors: **Qingsen Zhang,** Shenzhen (CN);
Junling Chen, Shenzhen (CN);
Houling Wang, Shenzhen (CN)

(**) Term: **15 Years**

(21) Appl. No.: **29/752,725**

(22) Filed: **Sep. 29, 2020**

(51) **LOC (13) Cl.** **08-07**

(52) **U.S. Cl.**
USPC **D14/447**

(58) **Field of Classification Search**
USPC D14/447, 432, 434, 439, 440, 451, 452,
D14/457, 239, 253; D8/363, 373, 380;
D6/406.3, 406.4, 406.5, 406.6; D12/415;
D13/108
CPC A45C 2011/002; A45C 2011/003; F16M
2200/00; F16M 13/00; A47B 21/04;
A47B 2097/006; A47B 2097/005; A47B
2023/049
See application file for complete search history.

(56) **References Cited**

U.S. PATENT DOCUMENTS

D490,437 S * 5/2004 Miao D14/447
D622,274 S * 8/2010 Green D14/447
D639,301 S * 6/2011 Anderson D14/434
D640,699 S * 6/2011 McParland D14/434

D652,830 S * 1/2012 Nazar D14/253
D667,403 S * 9/2012 Maus D14/385
D676,450 S * 2/2013 Lye D14/447
D767,575 S * 9/2016 Green D14/447
D771,055 S * 11/2016 Sharma D14/447
D828,361 S * 9/2018 Turksu D14/447
D844,623 S * 4/2019 Chen D14/447
D894,907 S * 9/2020 Deng D14/434
D917,495 S * 4/2021 Hatfield D14/447

* cited by examiner

Primary Examiner — Angela J Lee

(57) **CLAIM**

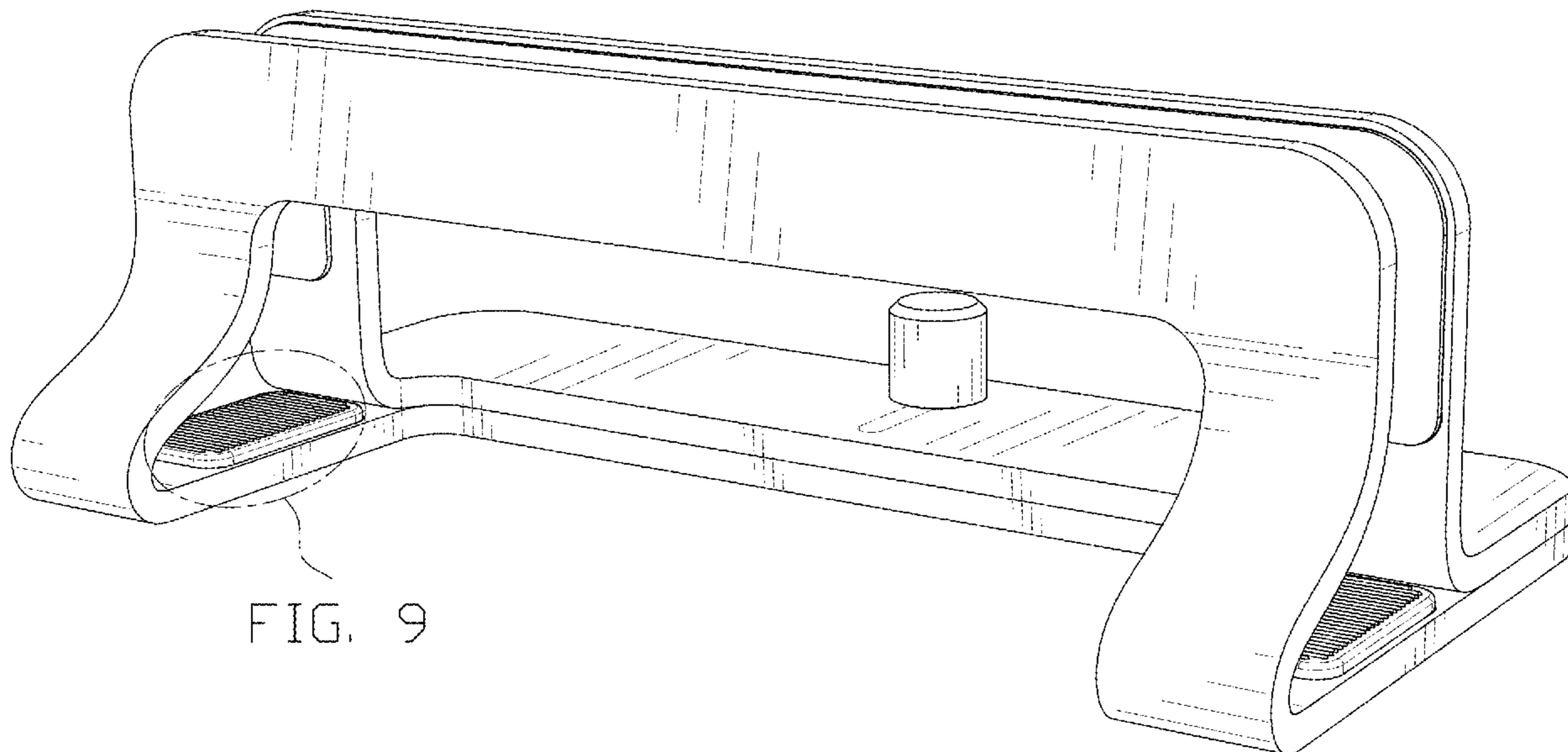
The ornamental design for a laptop stand, as shown and described.

DESCRIPTION

FIG. 1 is a front and top perspective view of a laptop stand, showing our new design;
FIG. 2 is a rear and bottom perspective view
FIG. 3 is a front elevational view thereof;
FIG. 4 is a rear elevational view thereof;
FIG. 5 is a left side elevational view thereof;
FIG. 6 is a right side elevational view thereof;
FIG. 7 is a top plan view thereof;
FIG. 8 is a bottom plan view thereof; and,
FIG. 9 is an enlarged, view of a portion labeled, 'FIG. 9' in FIG. 1.

The dashed broken lines in the figures illustrate portions of the article that form no part of the claimed design. The dash dot dash lines in FIGS. 1 and 9 are for the purpose of depicting the cut line of the enlarged view and form no part of the claim.

1 Claim, 9 Drawing Sheets



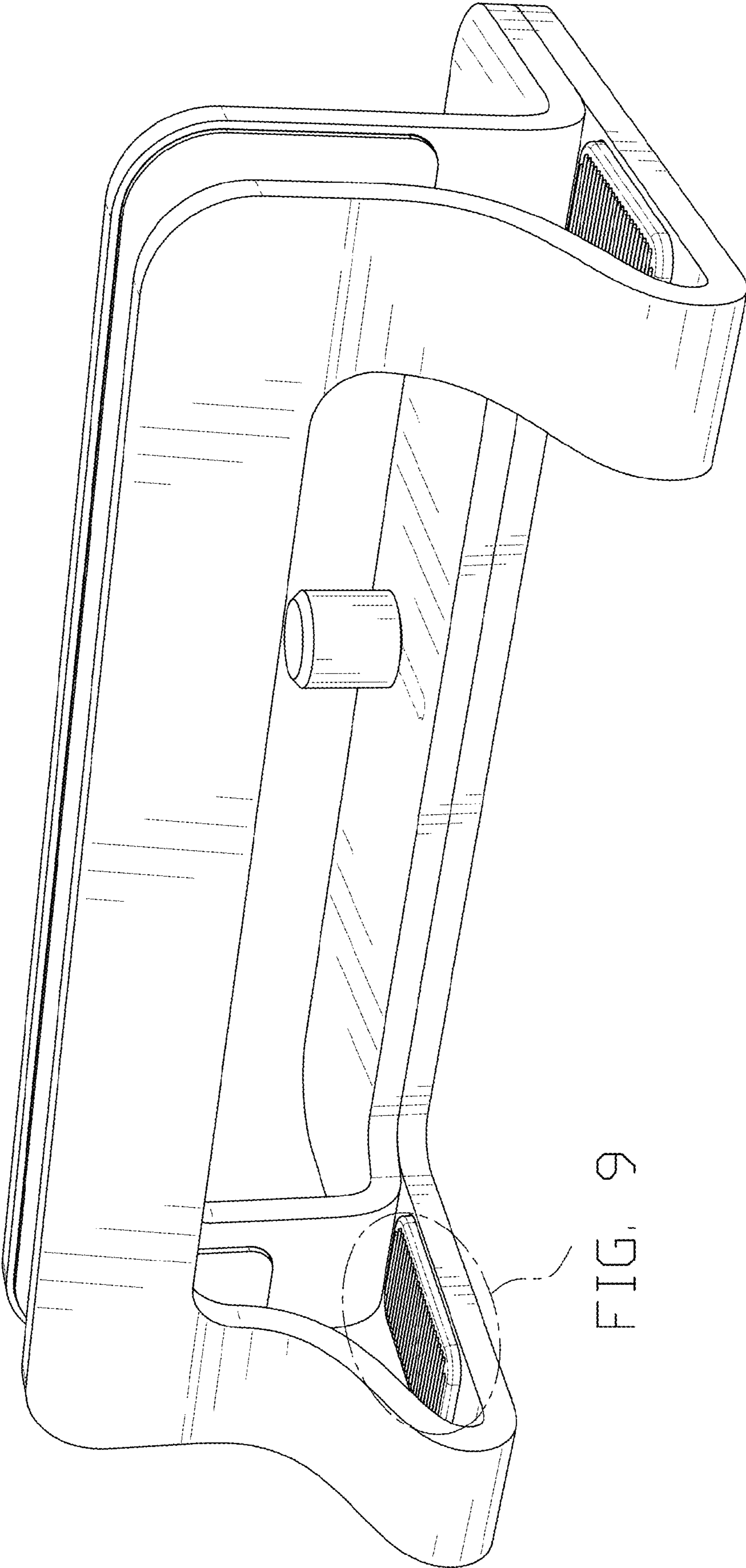


FIG. 9

FIG. 1

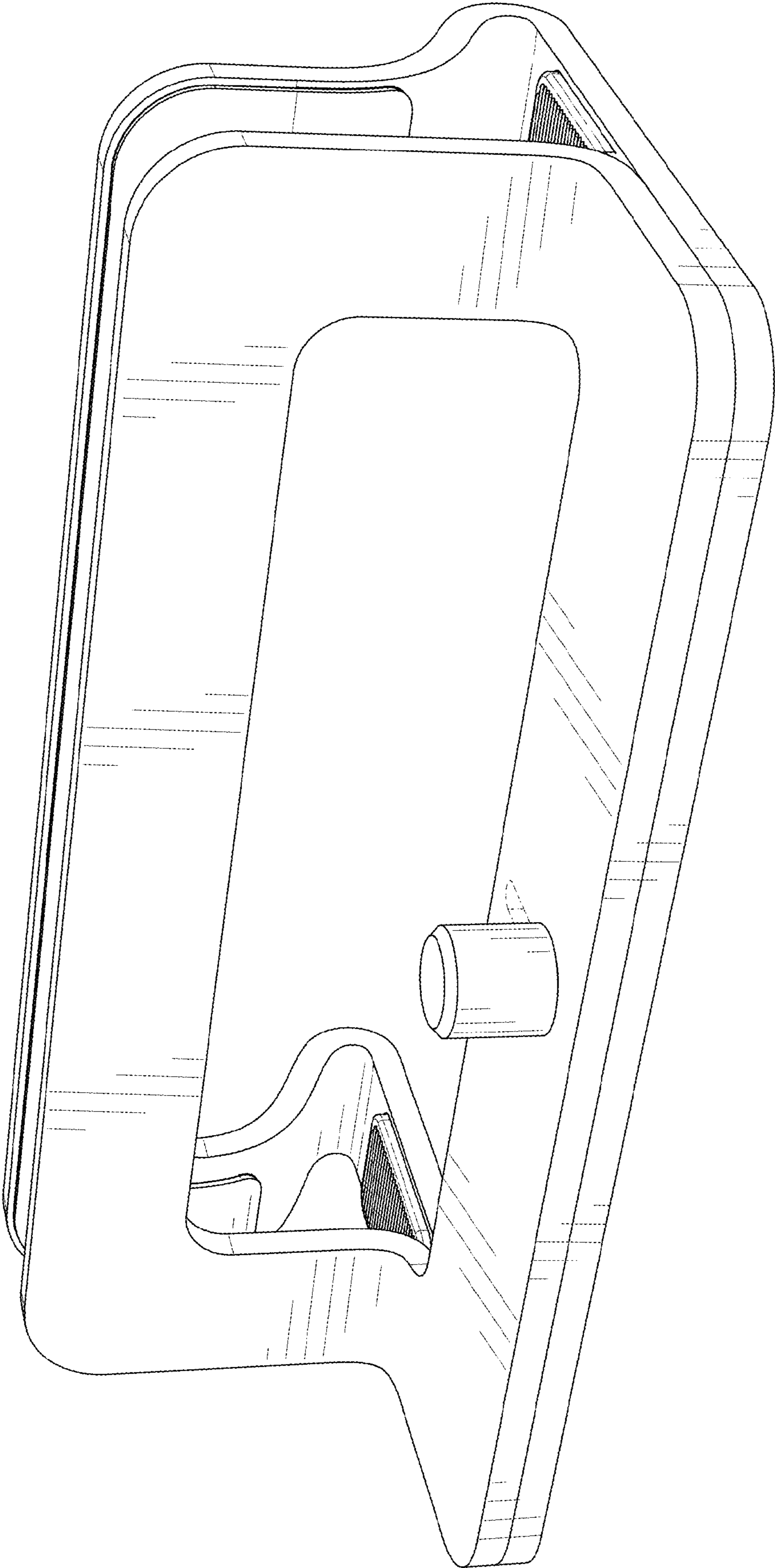


FIG. 2

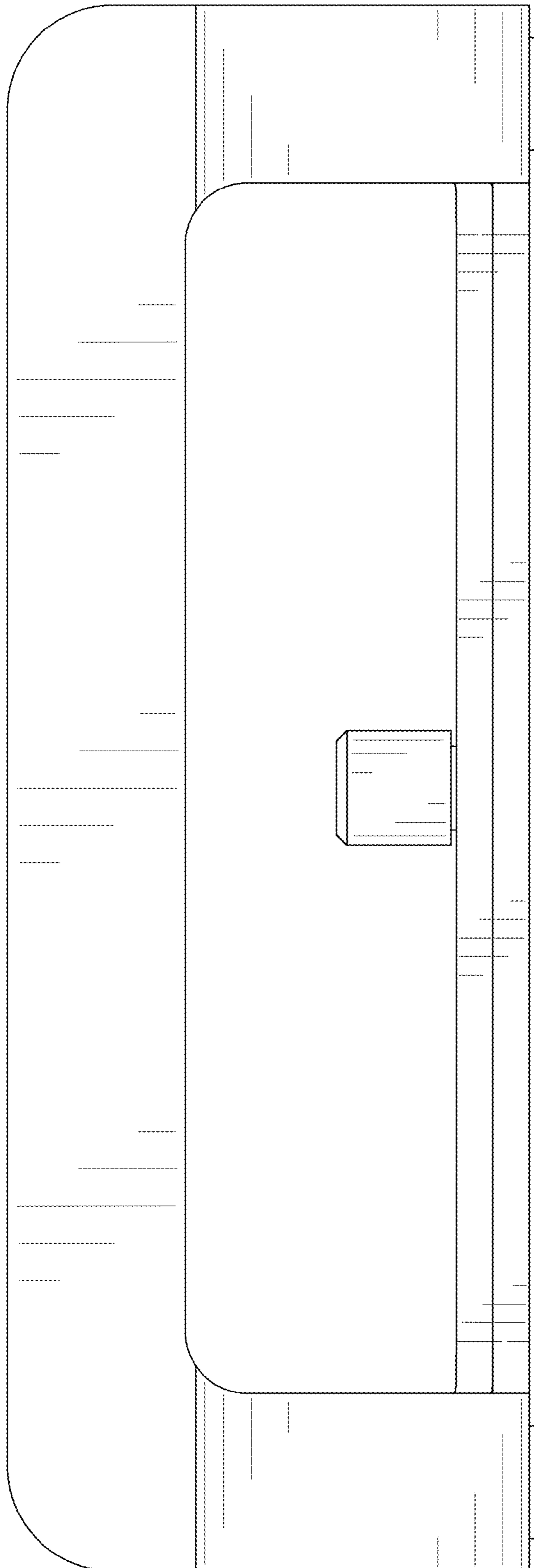


FIG. 3

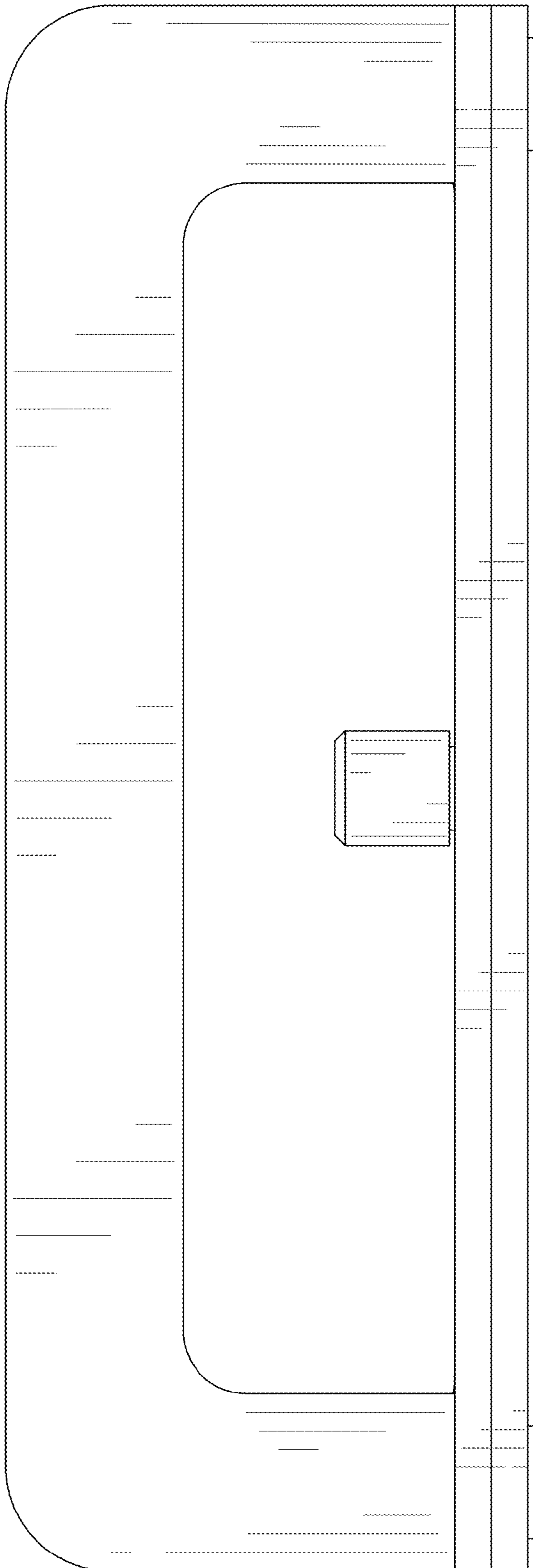


FIG. 4

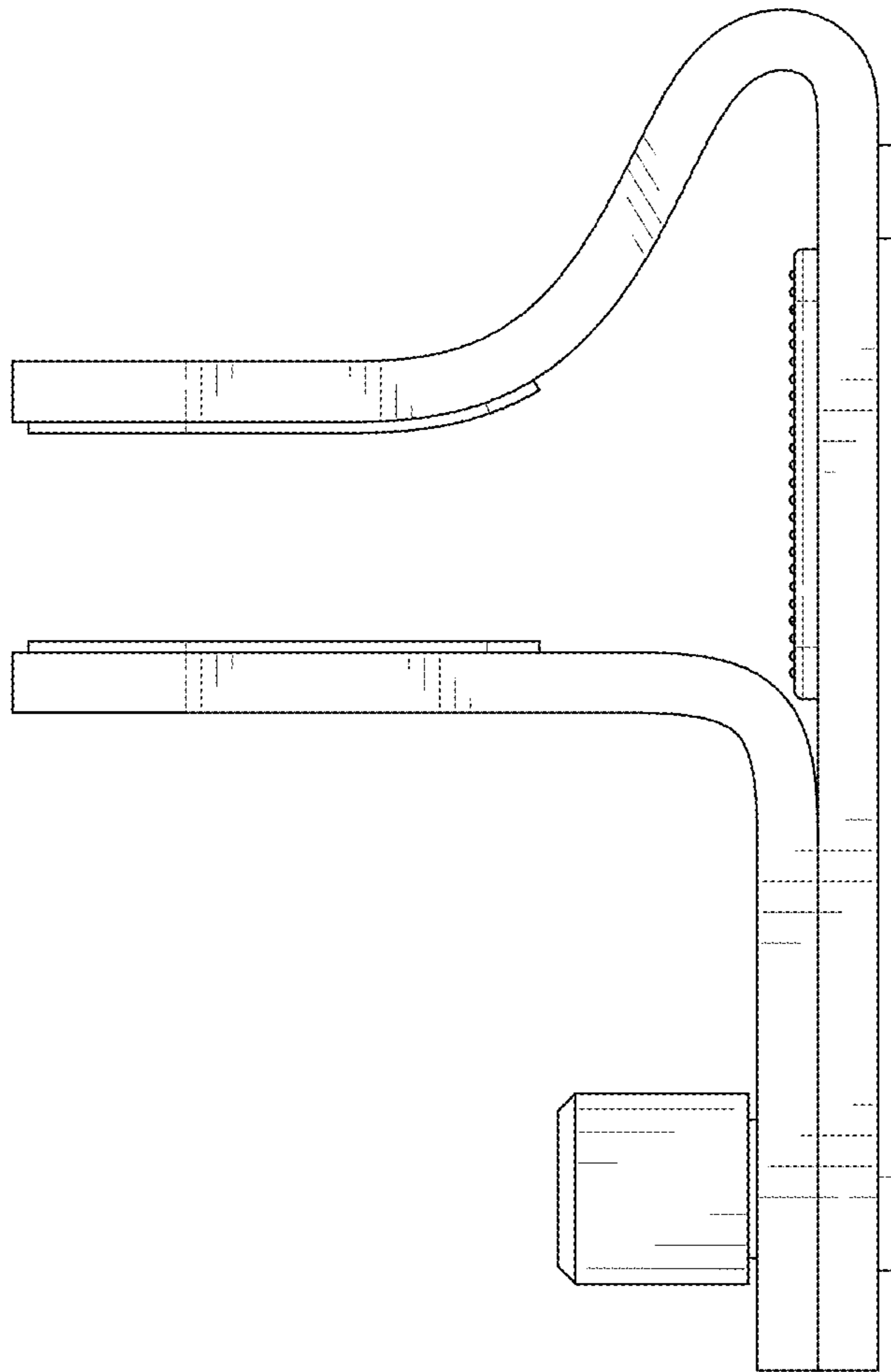


FIG. 5

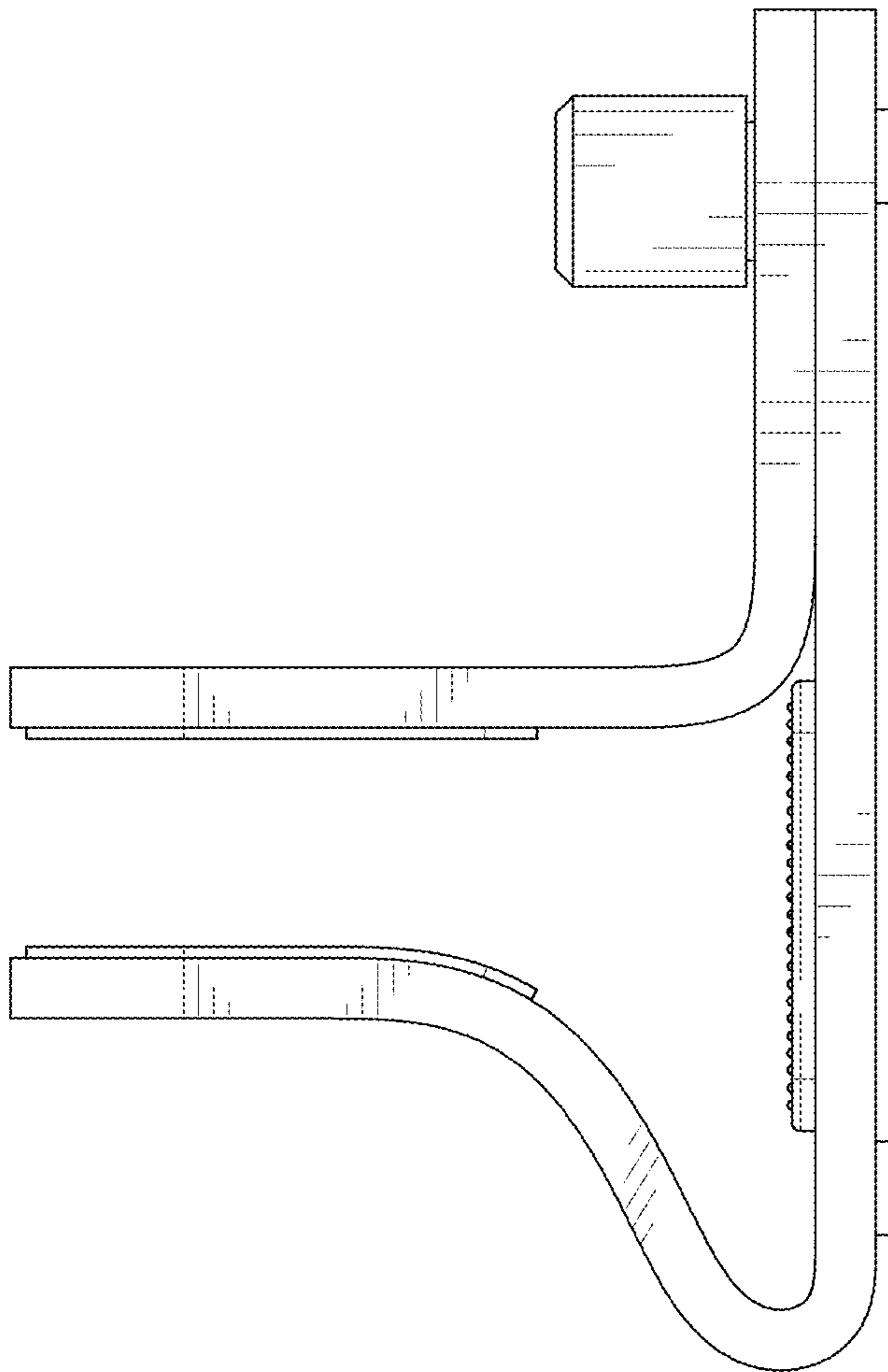


FIG. 6

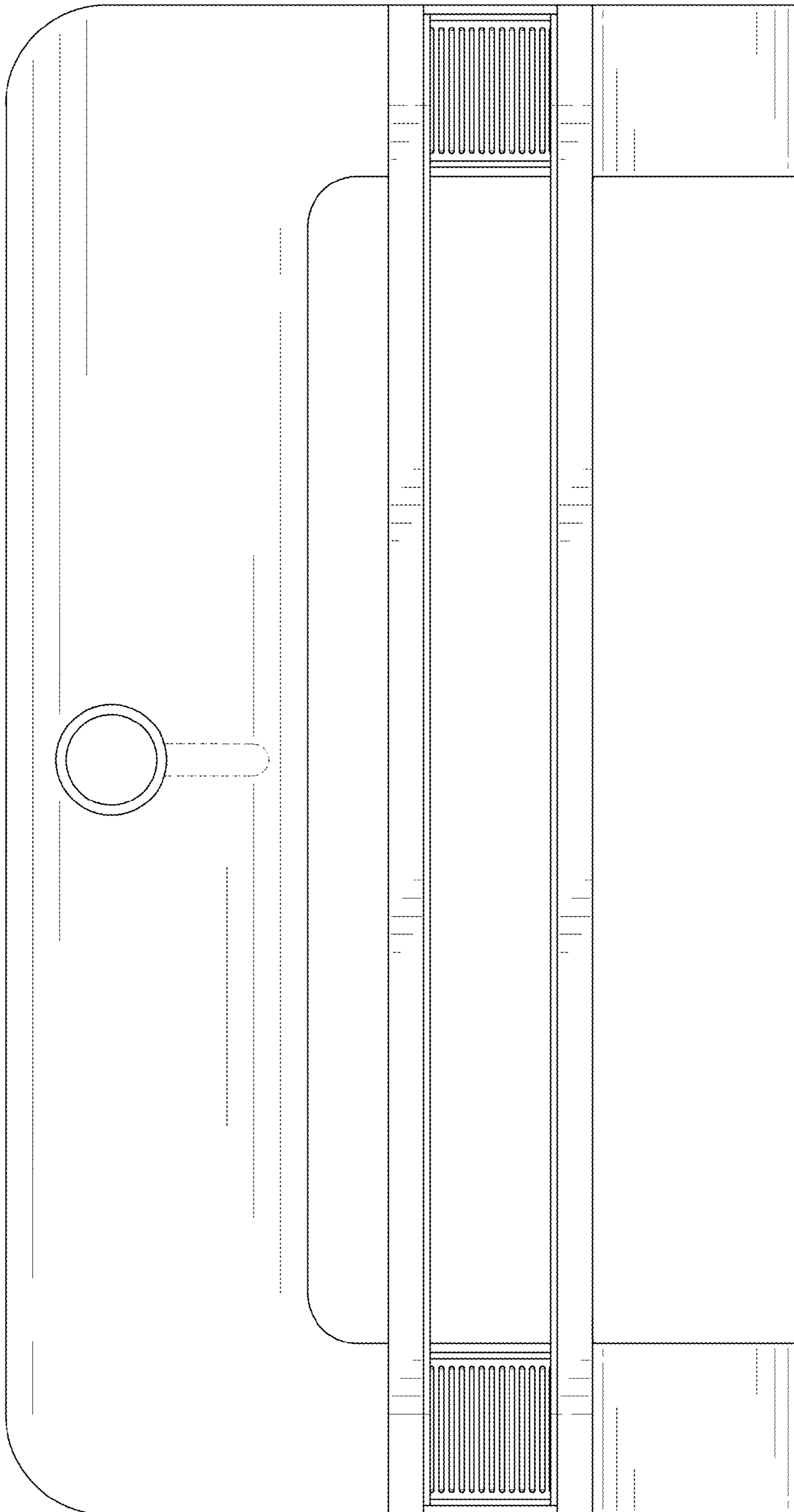


FIG. 7

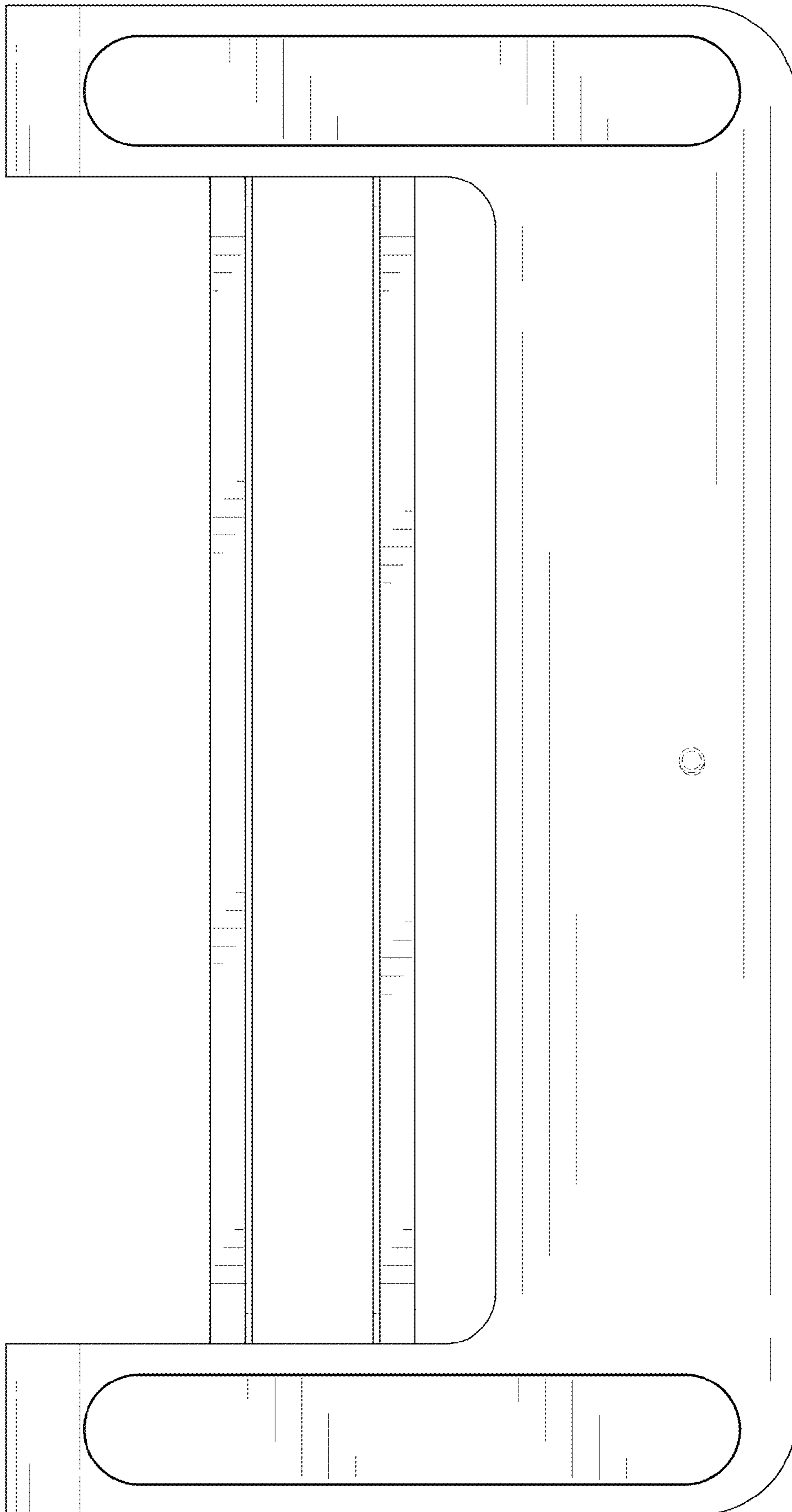


FIG. 8

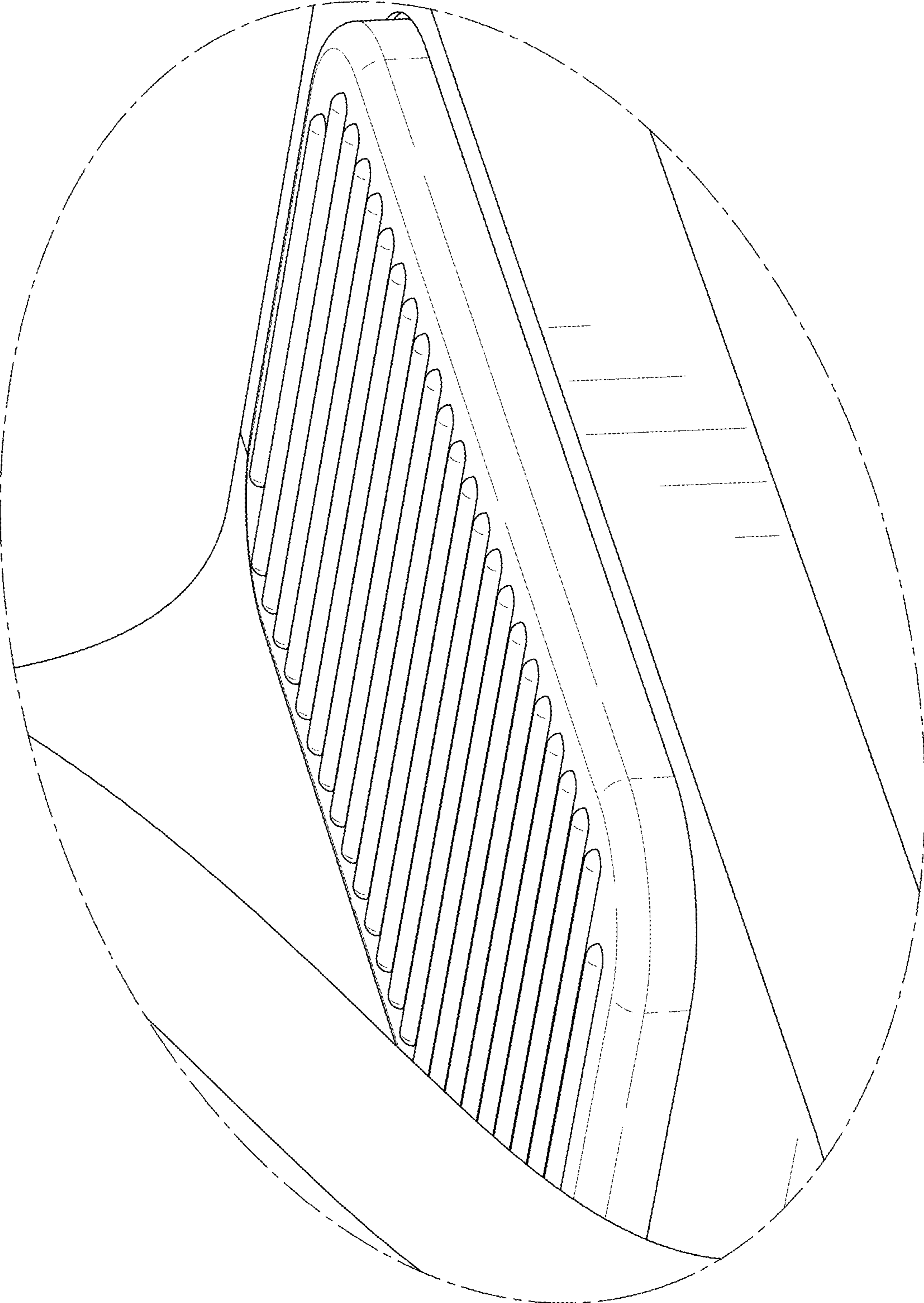


FIG. 9