



US00D939513S

(12) **United States Design Patent**
Fleming

(10) **Patent No.:** **US D939,513 S**

(45) **Date of Patent:** **** Dec. 28, 2021**

(54) **LAPTOP BRACKET**

(71) Applicant: **Christopher P. Fleming**, Grosse Ile, MI (US)

(72) Inventor: **Christopher P. Fleming**, Grosse Ile, MI (US)

(73) Assignee: **Christopher P. Fleming**, Grosse Ile, MI (US)

(**) Term: **15 Years**

(21) Appl. No.: **29/730,597**

(22) Filed: **Apr. 6, 2020**

(51) **LOC (13) Cl.** **14-02**

(52) **U.S. Cl.**
USPC **D14/440**

(58) **Field of Classification Search**
USPC D14/440, 447, 250, 315; 206/45.23, 320, 206/45.2; 361/679.55; 294/25; 224/218
CPC ... G06F 1/1628; G06F 1/1626; A47B 23/044; H04B 1/3888
See application file for complete search history.

(56) **References Cited**

U.S. PATENT DOCUMENTS

D834,024 S * 11/2018 Beaupre D14/432
D848,435 S * 5/2019 Moore D14/440

D888,719 S * 6/2020 Moore D14/440
D911,349 S * 2/2021 Giazzon D14/440
2012/0043247 A1* 2/2012 Westrup G06F 1/1633
206/472
2015/0156900 A1* 6/2015 Yeh A45C 13/002
312/223.1
2016/0135560 A1* 5/2016 Yeh H04B 1/3888
224/581
2016/0338459 A1* 11/2016 Yow A45C 13/02

* cited by examiner

Primary Examiner — Cynthia R Underwood

(74) *Attorney, Agent, or Firm* — Quinn IP Law

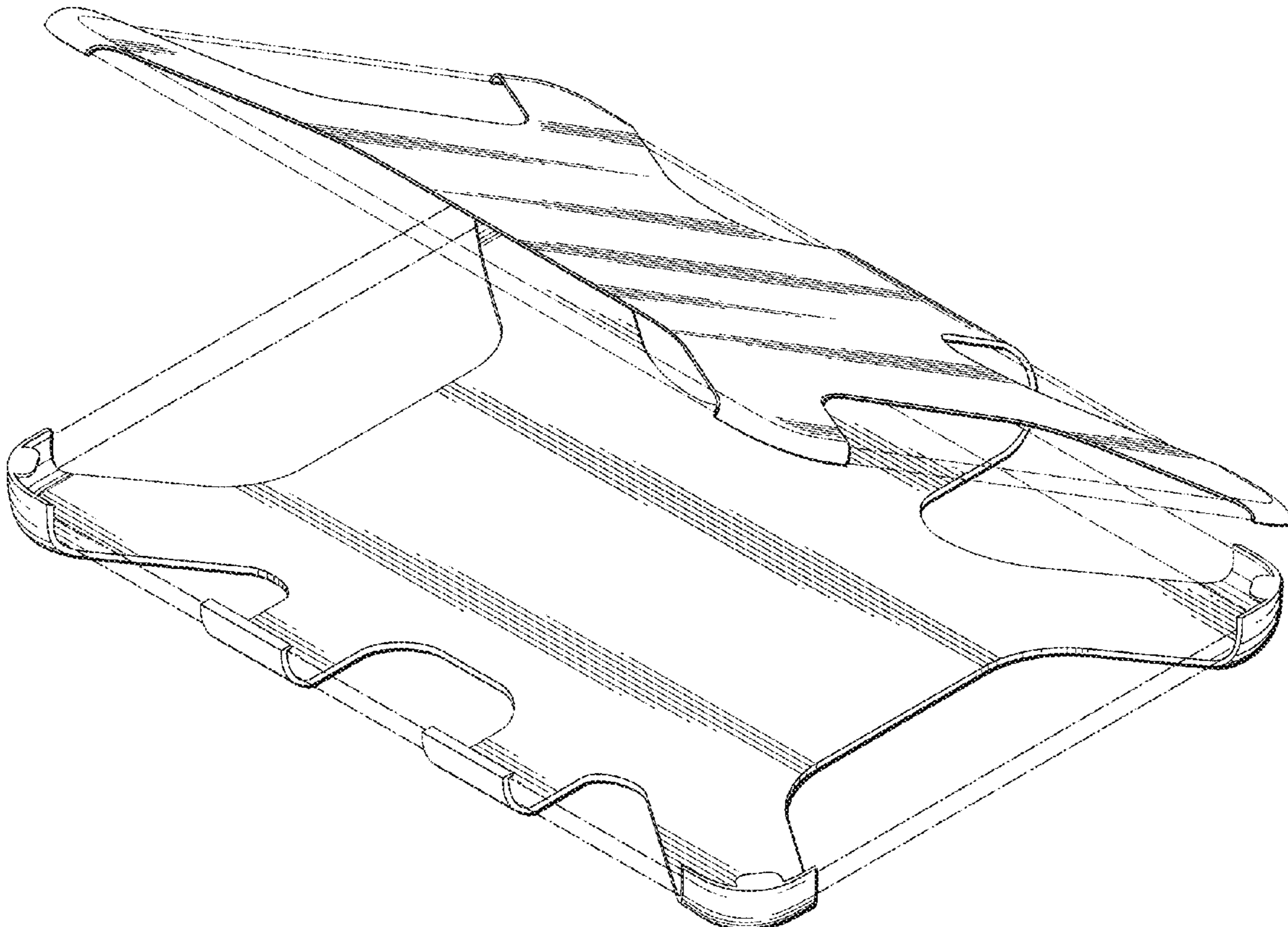
(57) **CLAIM**

The ornamental design for a laptop bracket, as shown and described.

DESCRIPTION

FIG. 1 is a front isometric view of a laptop bracket;
FIG. 2 is a back isometric view of the laptop bracket;
FIG. 3 is a top plan view of the laptop bracket;
FIG. 4 is a bottom plan view of the laptop bracket;
FIG. 5 is a right side elevational view of the laptop bracket;
FIG. 6 is a left side elevational view of the laptop bracket;
FIG. 7 is a front side elevational view of the laptop bracket;
and,
FIG. 8 is a back side elevational view of the laptop bracket.
The laptop computer is shown in broken lines for illustrative purposes only and forms no part of the claimed design.

1 Claim, 6 Drawing Sheets



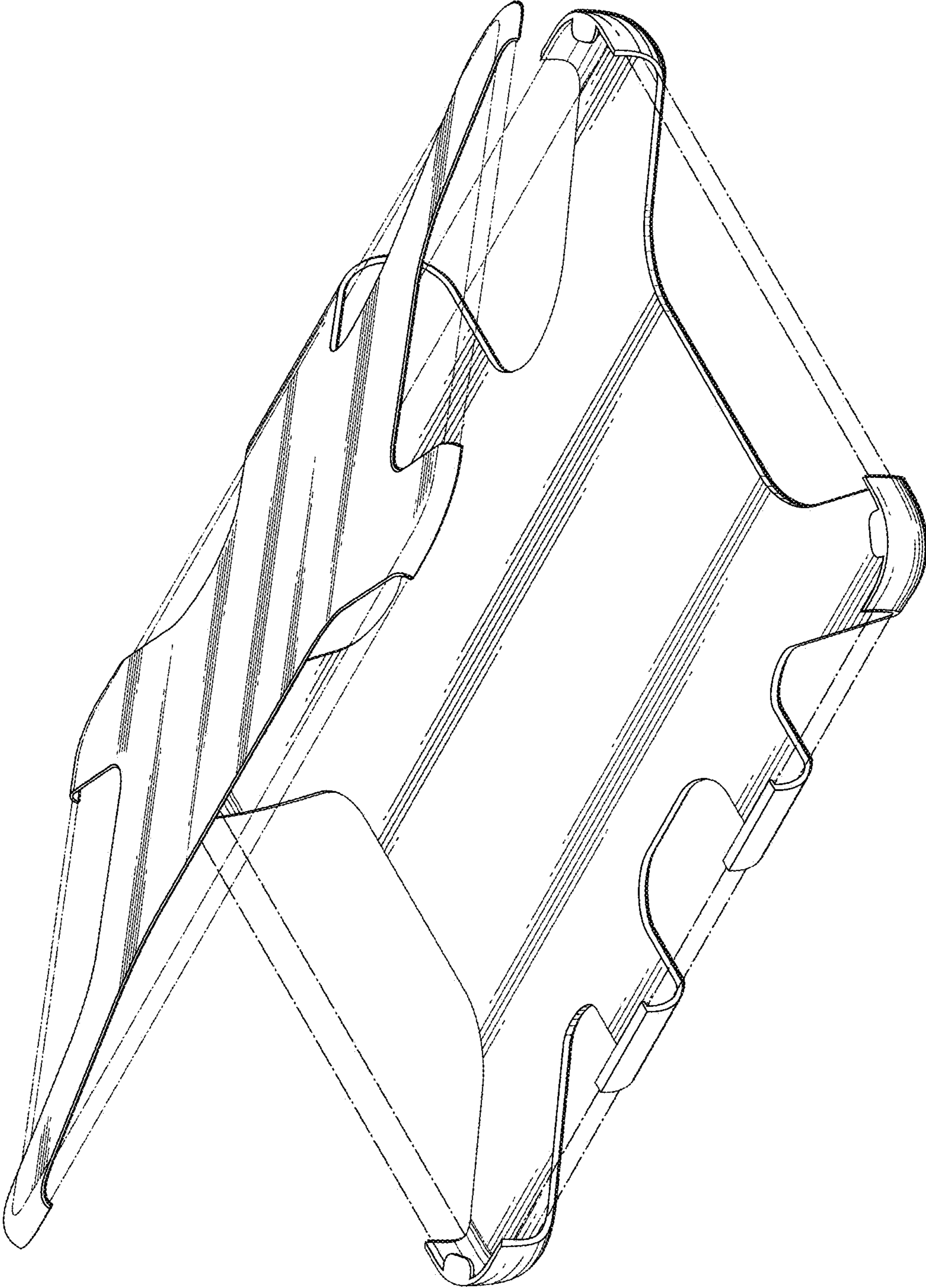


FIG. 1

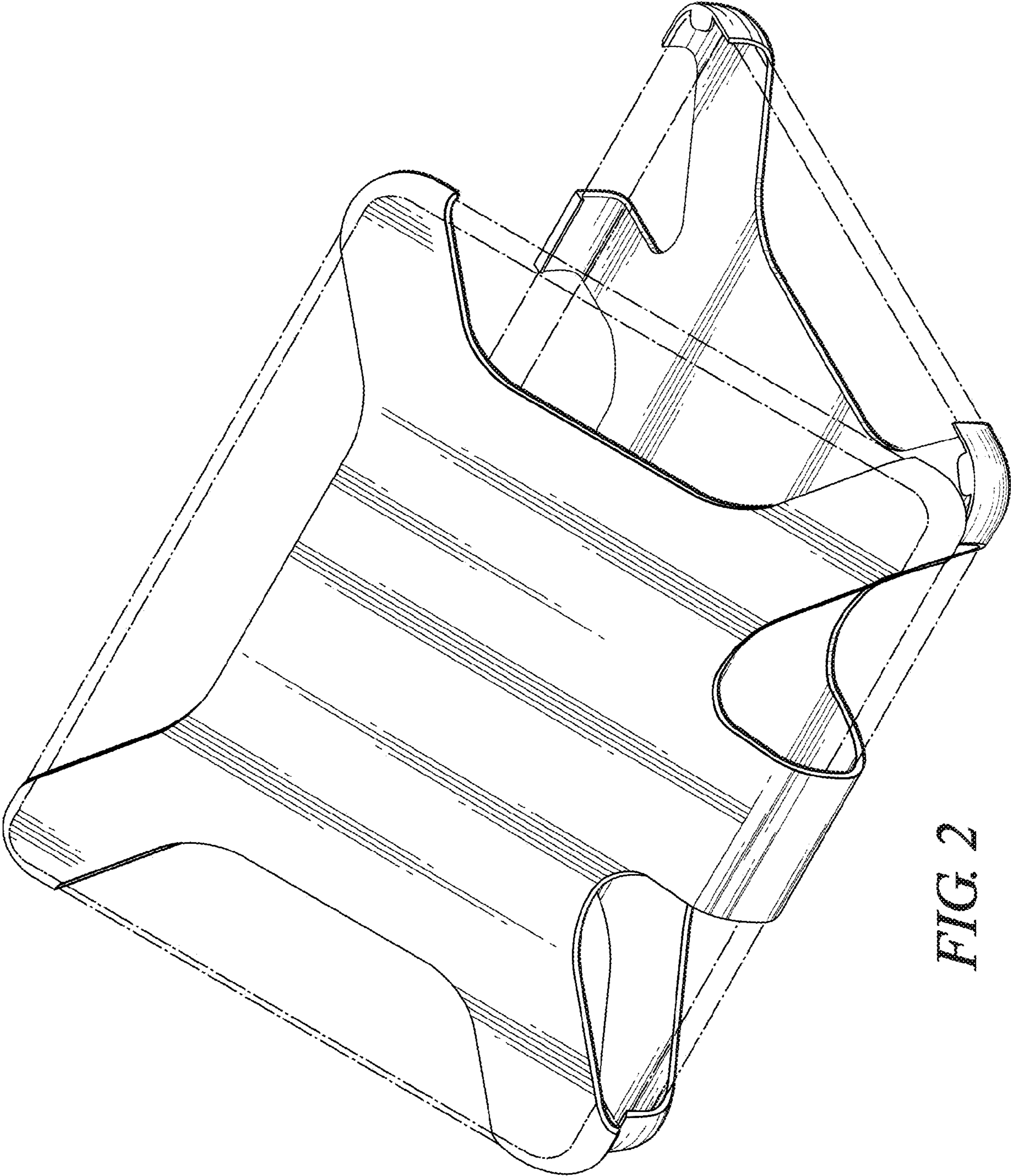


FIG. 2

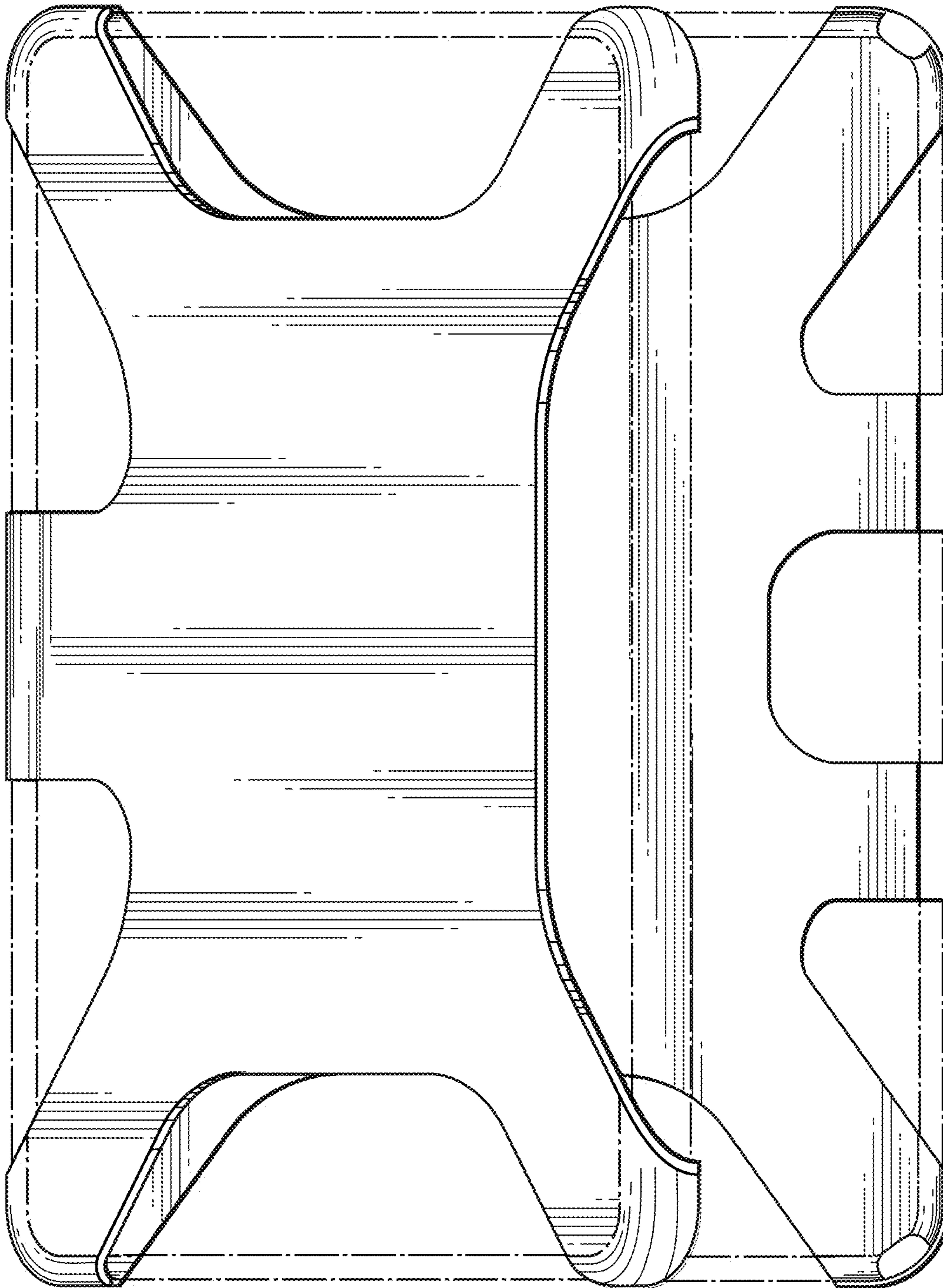


FIG. 3

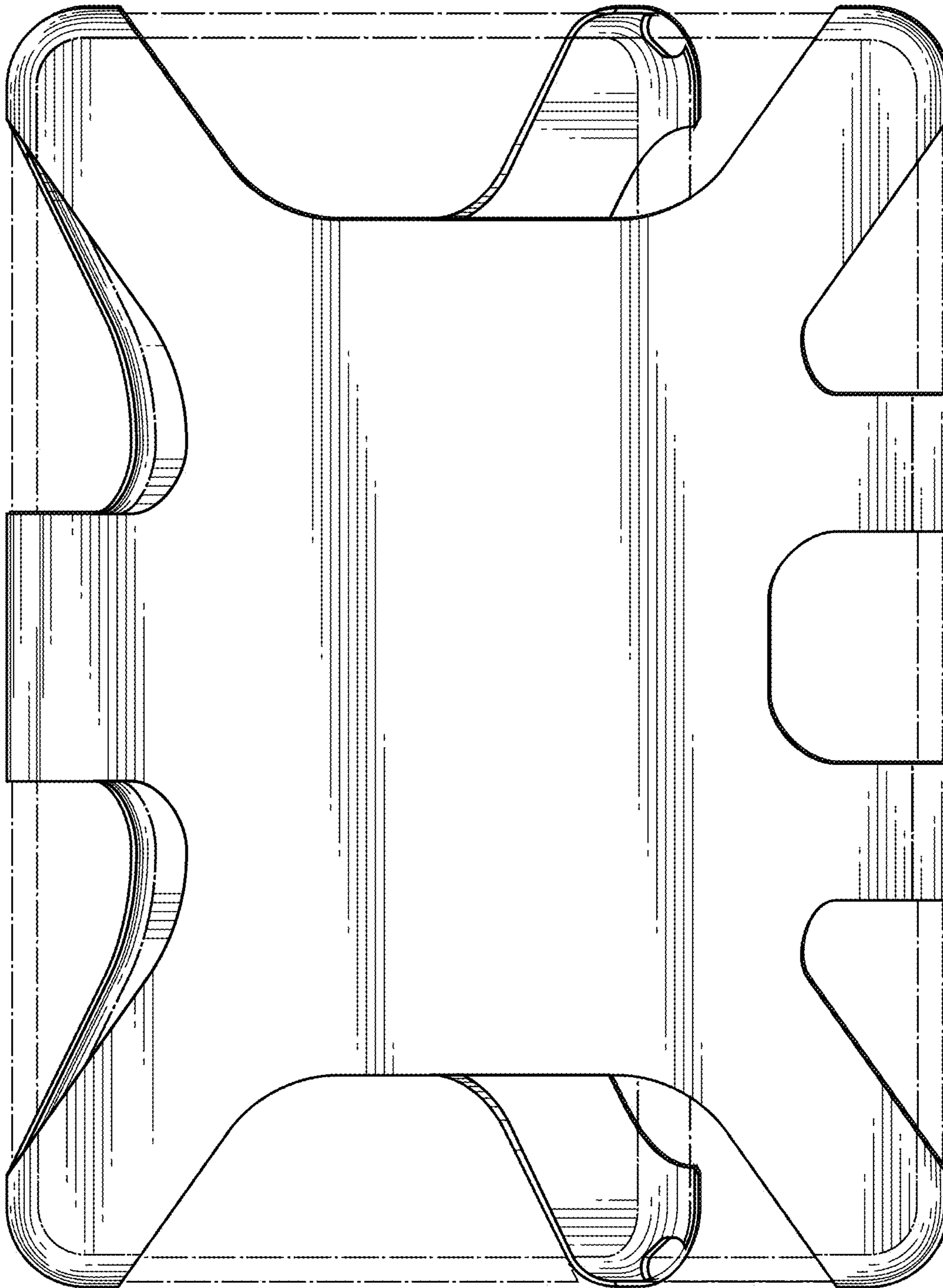


FIG. 4

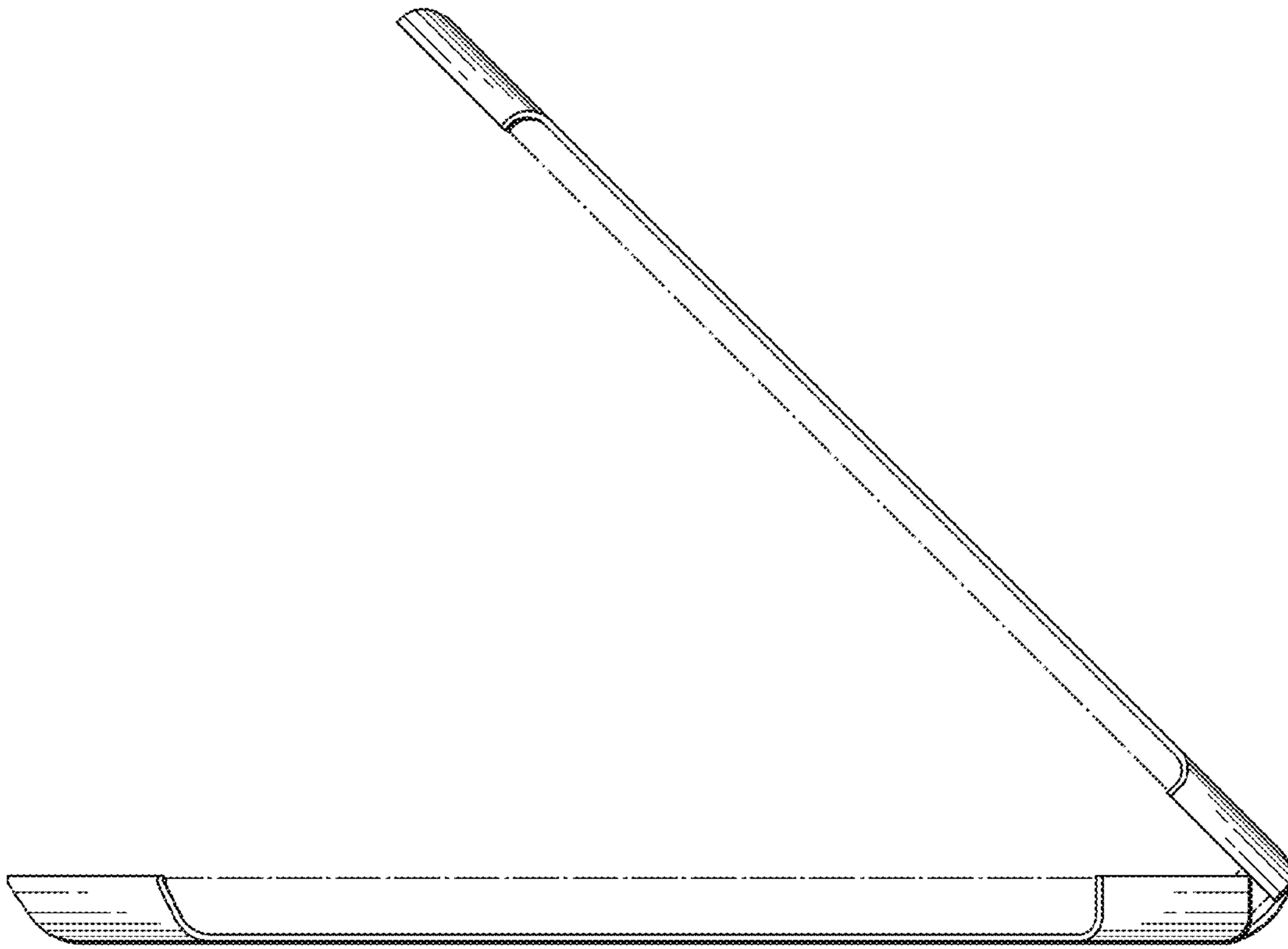


FIG. 5

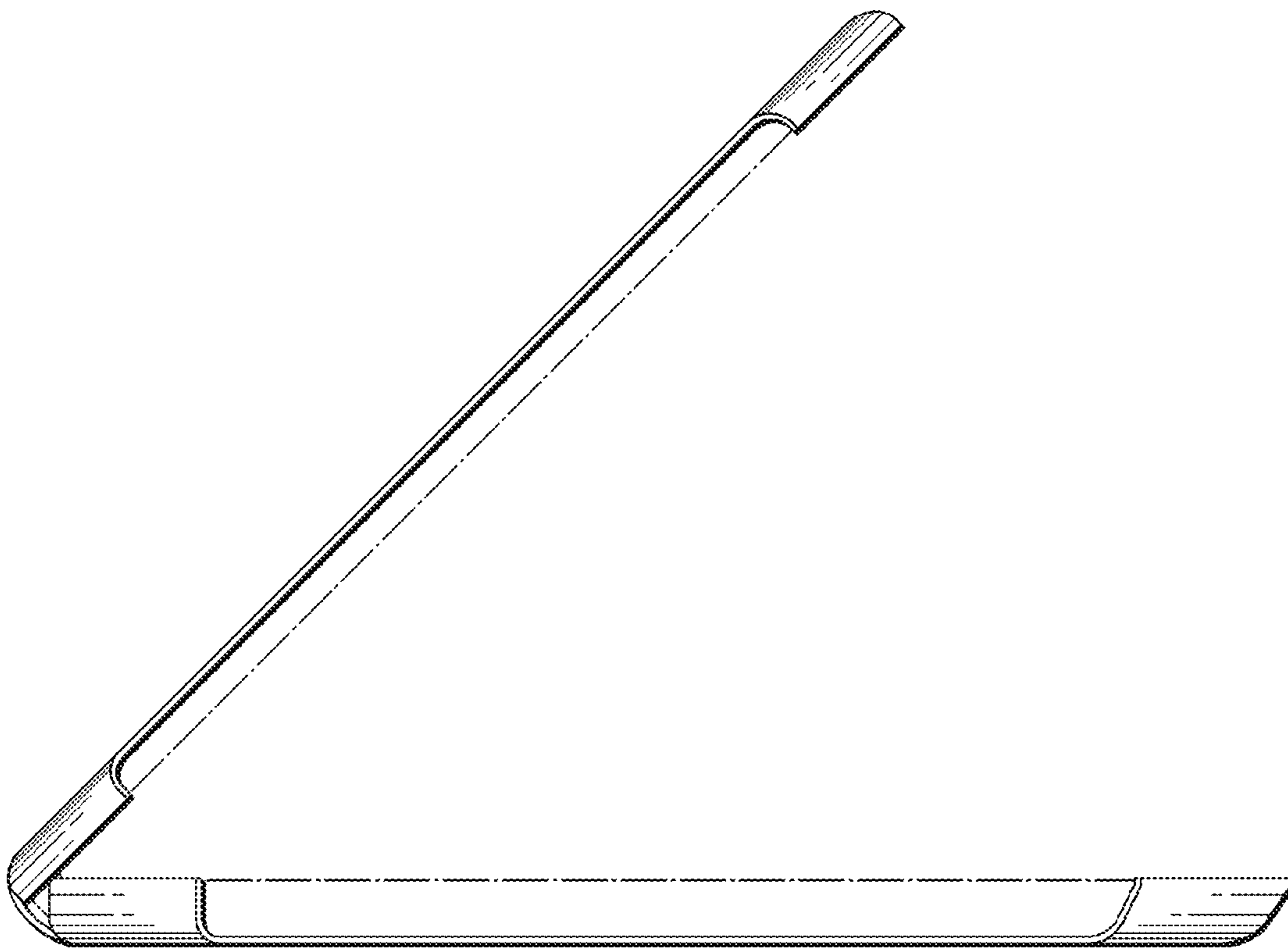


FIG. 6

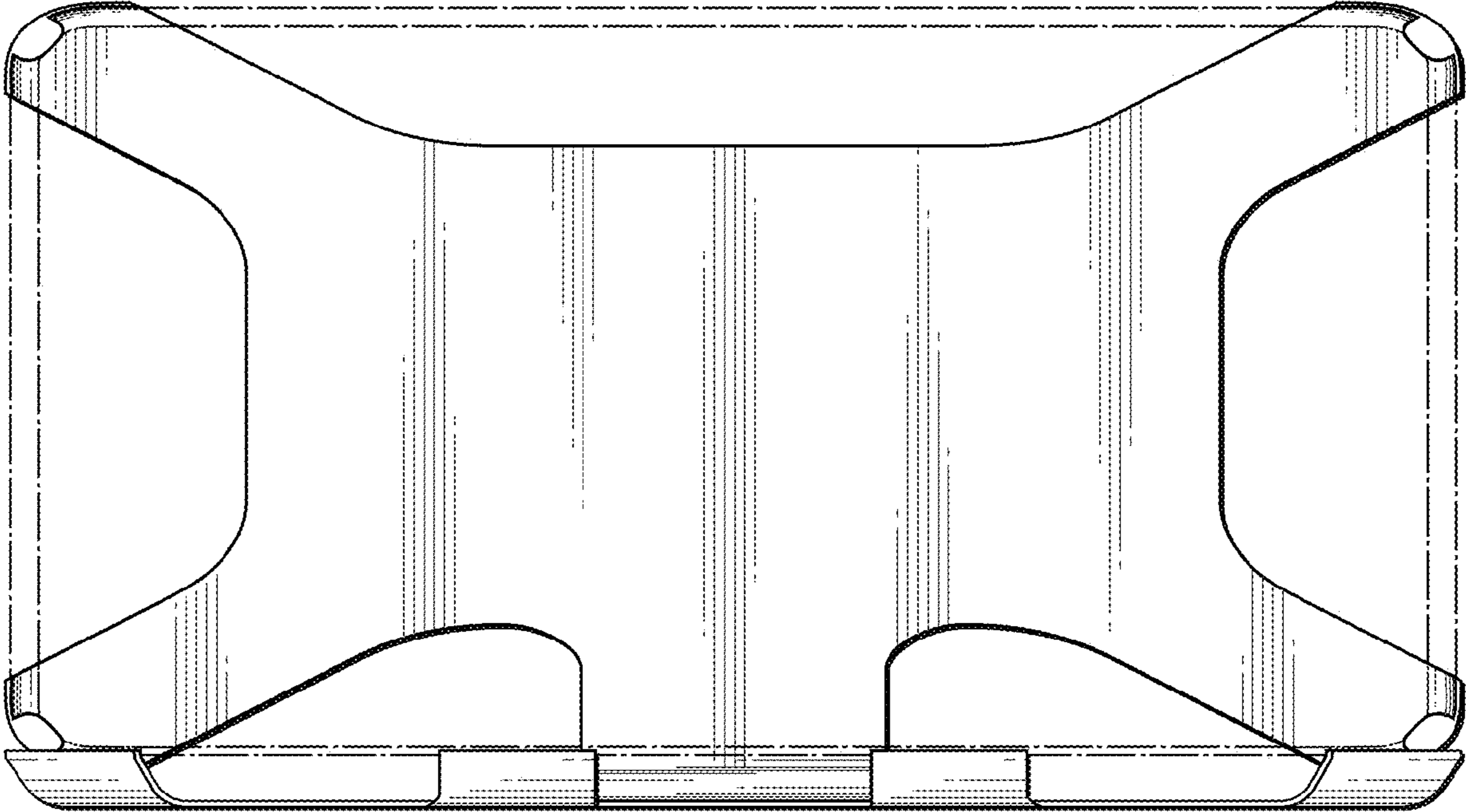


FIG. 7

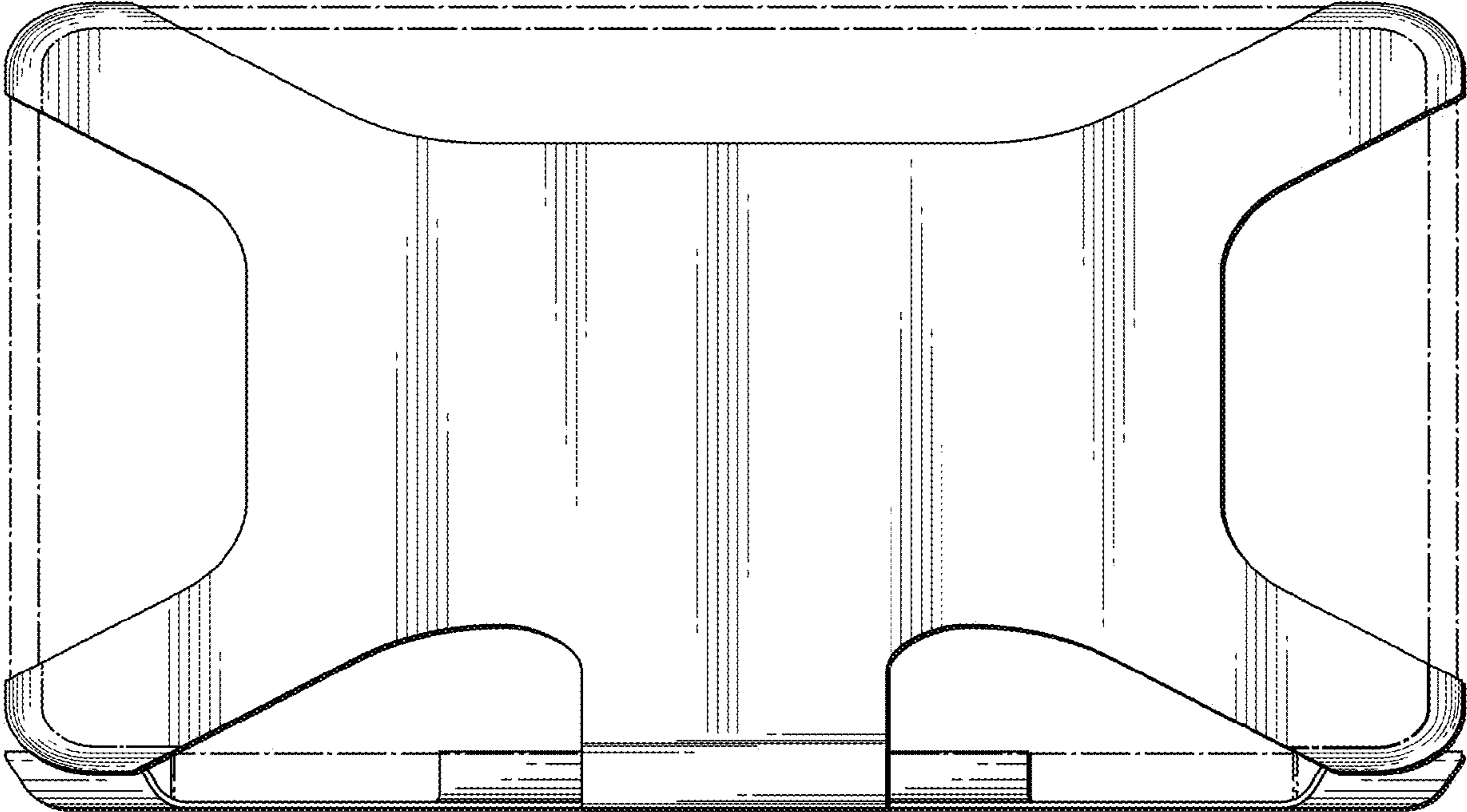


FIG. 8