



US00D939510S

(12) **United States Design Patent** (10) **Patent No.:** **US D939,510 S**  
**Du et al.** (45) **Date of Patent:** **\*\* Dec. 28, 2021**

(54) **ENCLOSURE**

(71) Applicant: **Hewlett Packard Enterprise Development LP**, Houston, TX (US)

(72) Inventors: **Yinggang Du**, Houston, TX (US);  
**Keith J. Kuehn**, Magnolia, TX (US);  
**John P. Franz**, Houston, TX (US);  
**Alan B. Doerr**, Tomball, TX (US)

(73) Assignee: **Hewlett Packard Enterprise Development LP**, Houston, TX (US)

(\*\*) Term: **15 Years**

(21) Appl. No.: **29/662,780**

(22) Filed: **Sep. 7, 2018**

(51) **LOC (13) Cl.** ..... **14-02**

(52) **U.S. Cl.**  
USPC ..... **D14/439**; D14/432

(58) **Field of Classification Search**  
USPC ..... D14/316-319, 432-439, 442, 451-454,  
D14/496, 495, 391, 385, 367, 356;  
(Continued)

(56) **References Cited**

**U.S. PATENT DOCUMENTS**

D337,770 S \* 7/1993 Johnson ..... D13/184  
D370,468 S 6/1996 Moffatt et al.  
(Continued)

**FOREIGN PATENT DOCUMENTS**

CN 3361679 4/2004  
CN 301410293 12/2010  
(Continued)

**OTHER PUBLICATIONS**

09-0610\_HPencore\_FP\_NS; 1 page; printed on Aug. 30, 2017 from:  
[http://homeservershow.com/wp-content/uploads/2009/09/09-0610\\_HPencore\\_FP\\_NS.jpg](http://homeservershow.com/wp-content/uploads/2009/09/09-0610_HPencore_FP_NS.jpg).

(Continued)

*Primary Examiner* — Austin Murphy  
(74) *Attorney, Agent, or Firm* — Hewlett Packard Enterprise Patent Department

(57) **CLAIM**

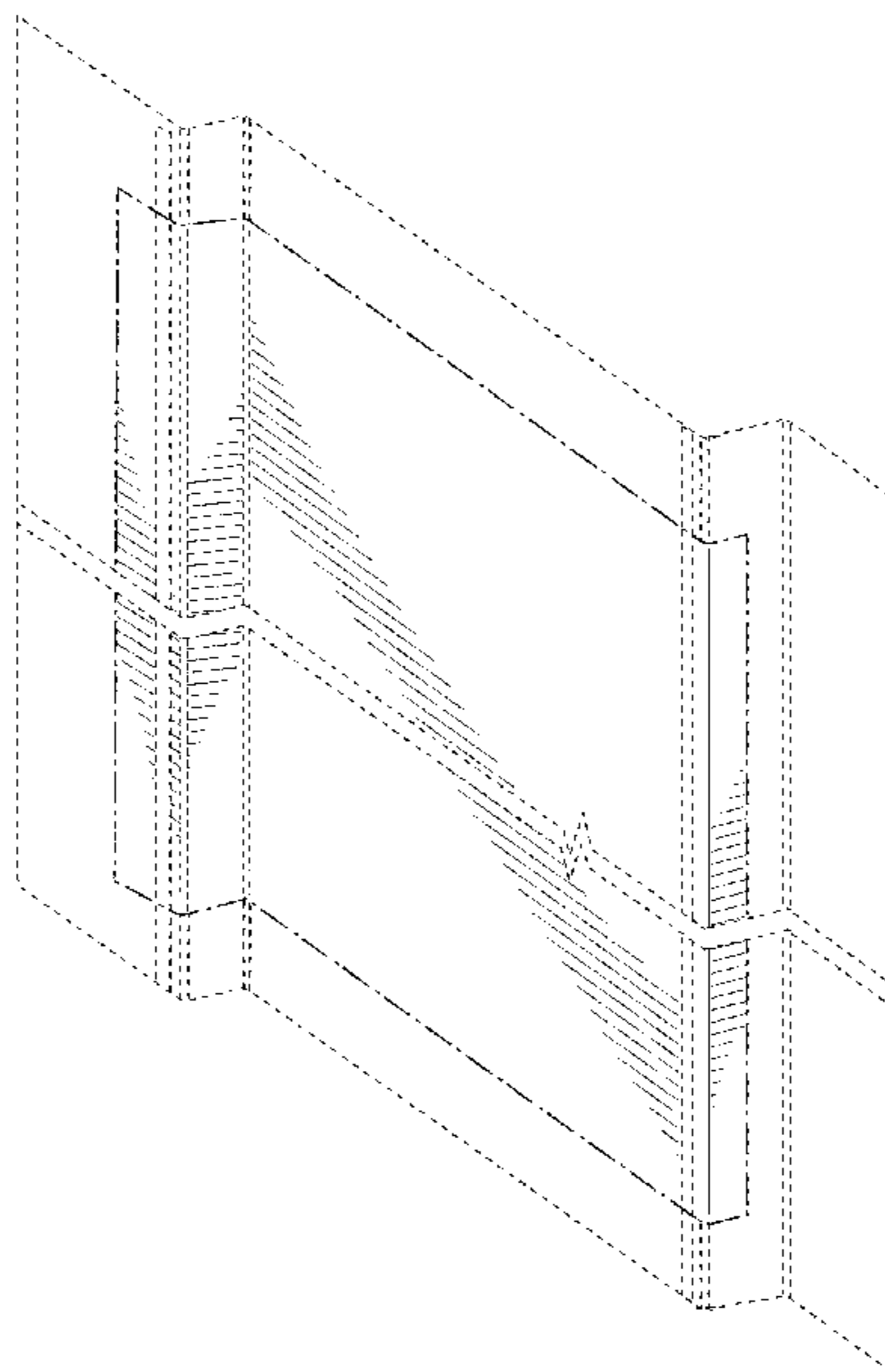
We claim the ornamental design for an enclosure, as shown and described.

**DESCRIPTION**

FIG. 1 is a top right perspective view of an enclosure;  
FIG. 2 is a top left perspective view thereof;  
FIG. 3 is a front view thereof,  
FIG. 4 is a rear view thereof;  
FIG. 5 is a left side view thereof,  
FIG. 6 is a right side view thereof;  
FIG. 7 is a top thereof;  
FIG. 8 is a bottom view thereof;  
FIG. 9 is an enlarged right perspective view of the enclosure of FIG. 1 taken along line 9-9;  
FIG. 10 is an enlarged left perspective view of the enclosure of FIG. 1 taken along line 10-10; and,  
FIG. 11 is a front view of the enclosure of FIG. 1 taken along line 9-9.

The ornamental design which is claimed is shown in solid lines in the drawings. The uniform length dashed broken lines in the drawings illustrate environmental structure and form no part of the claimed design. The long dash-short dash broken lines in the drawings illustrate boundary lines identifying boundaries of the claimed design, wherein the long dash-short dash broken lines form no part of the claimed design. The broken uniform length broken lines indicate in determinant length/width/height and form no part of the claimed design.

**1 Claim, 11 Drawing Sheets**



(58) **Field of Classification Search**

USPC ..... D8/331, 330; D18/50, 4.6, 4.5; 439/630,  
439/635, 639, 160; 360/2; 235/492, 486,  
235/479, 380  
CPC ..... G06F 1/206; G06F 1/3206; G06F 1/3287  
See application file for complete search history.

FOREIGN PATENT DOCUMENTS

CN	301581255	6/2011
CN	301665451	9/2011
CN	301860756	3/2012
CN	302518210	7/2013
CN	302535314	8/2013
CN	302578458	9/2013
CN	302943727	9/2014
CN	303275699	7/2015
CN	303275719	7/2015
CN	303329543	8/2015
CN	303329590	8/2015
CN	303520563	12/2015
CN	303792473	8/2016
CN	304072842	3/2017

(56) **References Cited**

U.S. PATENT DOCUMENTS

D388,062	S *	12/1997	Desiano	.....	D14/308
D397,997	S	9/1998	Cozzolino et al.		
6,109,569	A	8/2000	Sakaida		
D437,591	S	2/2001	Sato		
6,327,139	B1	12/2001	Champion et al.		
D469,759	S	2/2003	Friend et al.		
6,747,874	B2	6/2004	McKinnon et al.		
6,867,701	B2	3/2005	Lawrence et al.		
7,026,553	B2	4/2006	Levesque et al.		
D540,788	S	4/2007	McIntosh et al.		
D598,440	S	8/2009	Alfonso et al.		
7,837,352	B2	11/2010	Graybill et al.		
D639,791	S *	6/2011	Corley	.....	D14/248
D665,809	S *	8/2012	Wang	.....	D14/439
D667,412	S *	9/2012	Wang	.....	D14/439
D690,694	S	10/2013	Utsuki et al.		
D690,703	S *	10/2013	Welch	.....	D14/440
D720,353	S *	12/2014	Nakamura	.....	D14/432
D732,041	S *	6/2015	Conn	.....	D14/439
D733,134	S	6/2015	Utsuki et al.		
D743,402	S *	11/2015	Ehara	.....	D14/439
D743,403	S *	11/2015	Ehara	.....	D14/439
D743,968	S *	11/2015	McClelland	.....	D14/441
9,212,765	B1	12/2015	Chia et al.		
D765,073	S	8/2016	Niizawa		
D768,136	S *	10/2016	Ignomirello	.....	D14/439
D773,468	S *	12/2016	Ellis, II	.....	D14/439
D788,097	S	5/2017	Koike et al.		
9,699,936	B1	7/2017	Vargas		
9,734,676	B2	8/2017	Apcar		
D801,965	S	11/2017	Jasinski et al.		
9,867,311	B2	1/2018	Chen		
D813,866	S	3/2018	Elmieh et al.		
D822,020	S	7/2018	Latto et al.		
D823,398	S	7/2018	Zekelman et al.		
D828,345	S *	9/2018	Kim	.....	D14/250
10,411,750	B2	9/2019	Li et al.		
10,417,163	B2	9/2019	Kuriyama		
D876,432	S *	2/2020	Franz	.....	D14/349
2005/0135075	A1	6/2005	Deng		

OTHER PUBLICATIONS

15U Double Section Wall Mounted Rack Server 600 (W)×600 (D)×769 (H) Glass Front Door Black; 5 pages printed on Aug. 30, 2017 from: <http://towerex.com/server-racks/15u-double-section-wall-mounted-enclosure-600-600-glass-front-door-black.html>.  
25u Rack Cabinet; 3 pages; printed on Aug. 30, 2017 from <http://ww1.bryont.net/25u-rack-cabinet/>.  
Cisco and Nimble Smartstack Rack Graphics; 4 pages; printed on Aug. 30, 2017 from: <http://finelinegd.com/projects/cisco-and-nimble-smartstack-rack-graphics/>.  
Dell Netshelter SX racks; 3 pages; printed on Aug. 30, 2017 from: <http://www.dell.com/en-us/work/shop/servers-storage-and-networking/data-center-infrastructure/spd/rack-enclosures>.  
Texas Advanced Computing Center, “Hikari Sustainable Supercomputing”, available online at <<https://web.archive.org/web/20170712174737/https://www.tacc.utexas.edu/systems/hikari>>, Jul. 12, 2017, 2 pages.  
IBM; “New IBM Power 795 System Delivers Outstanding Performance, Scalability, Reliability, and Manageability for Demanding Commercial Workloads”; Aug. 17, 2010; 123 pages.  
HP Polska, “Prometheus—supercomputer based on HP Apollo 8000 platform”, video available at <<https://www.youtube.com/watch?v=erHMhgjw8eo>>, uploaded on Jun. 2, 2015, 1 page.  
fs.com, “1U 19in Blank Rackmount Fiber Patch Panel with Cable Management Panel and Lacing Bar,” 2018, pp. 1-6 (online), Retrieved from the Internet on May 22, 2018 at URL: <https://www.fs.com/products/59576.html>.  
Ernie Tucker, “NREL Supercomputer Tackles Grid Challenges”, available online at <<https://www.nrel.gov/news/features/2014/14371.html>>, Jun. 26, 2014, 3 pages.  
DCR; “Smart LED Lighting Saves Energy and Reduces Heat in the Data Center”; 4 pages; printed on Feb. 2, 2018 from: <https://datacenterresources.com/programmable-led-lighting-data-centers/>.

\* cited by examiner



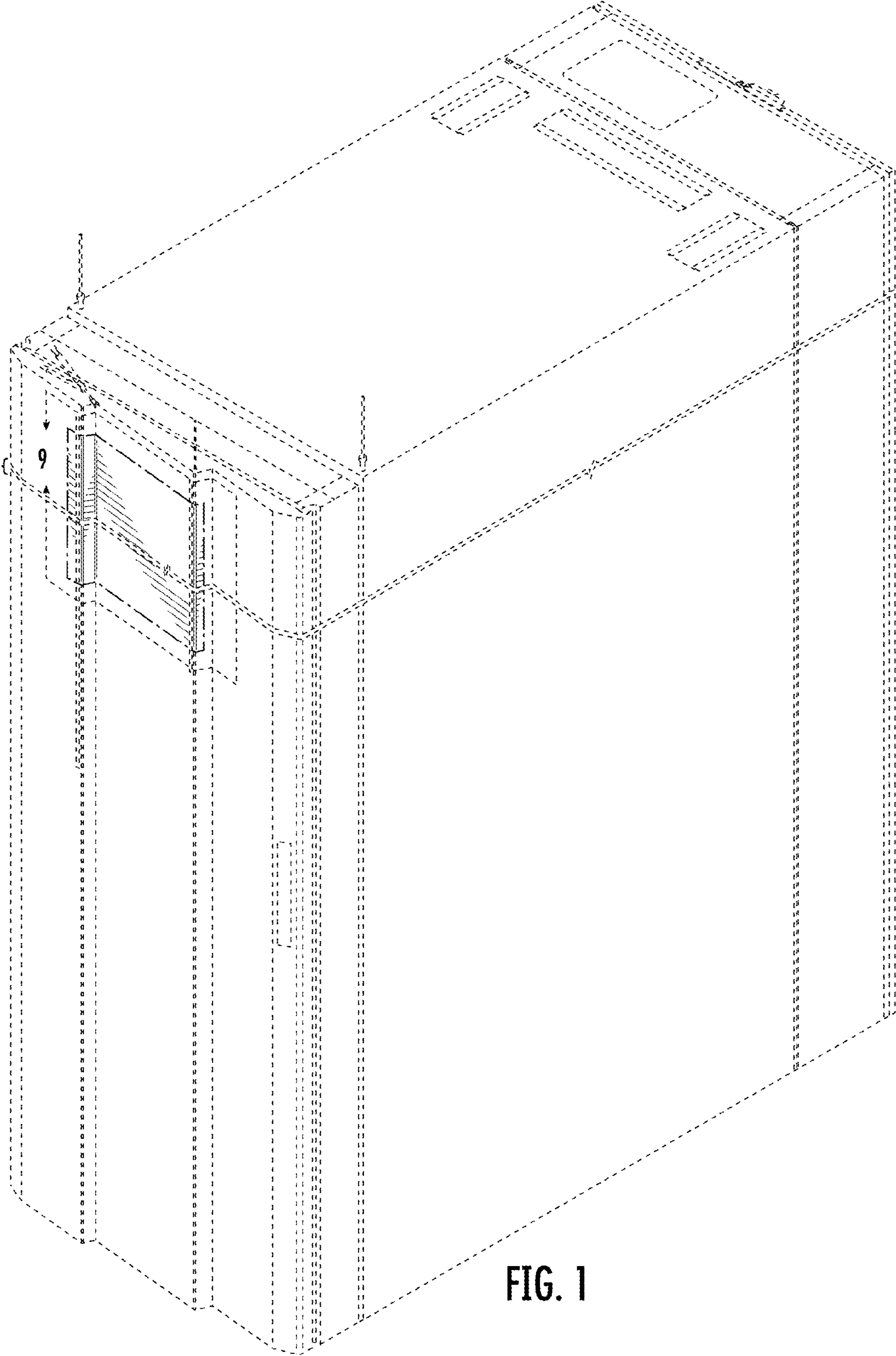


FIG. 1

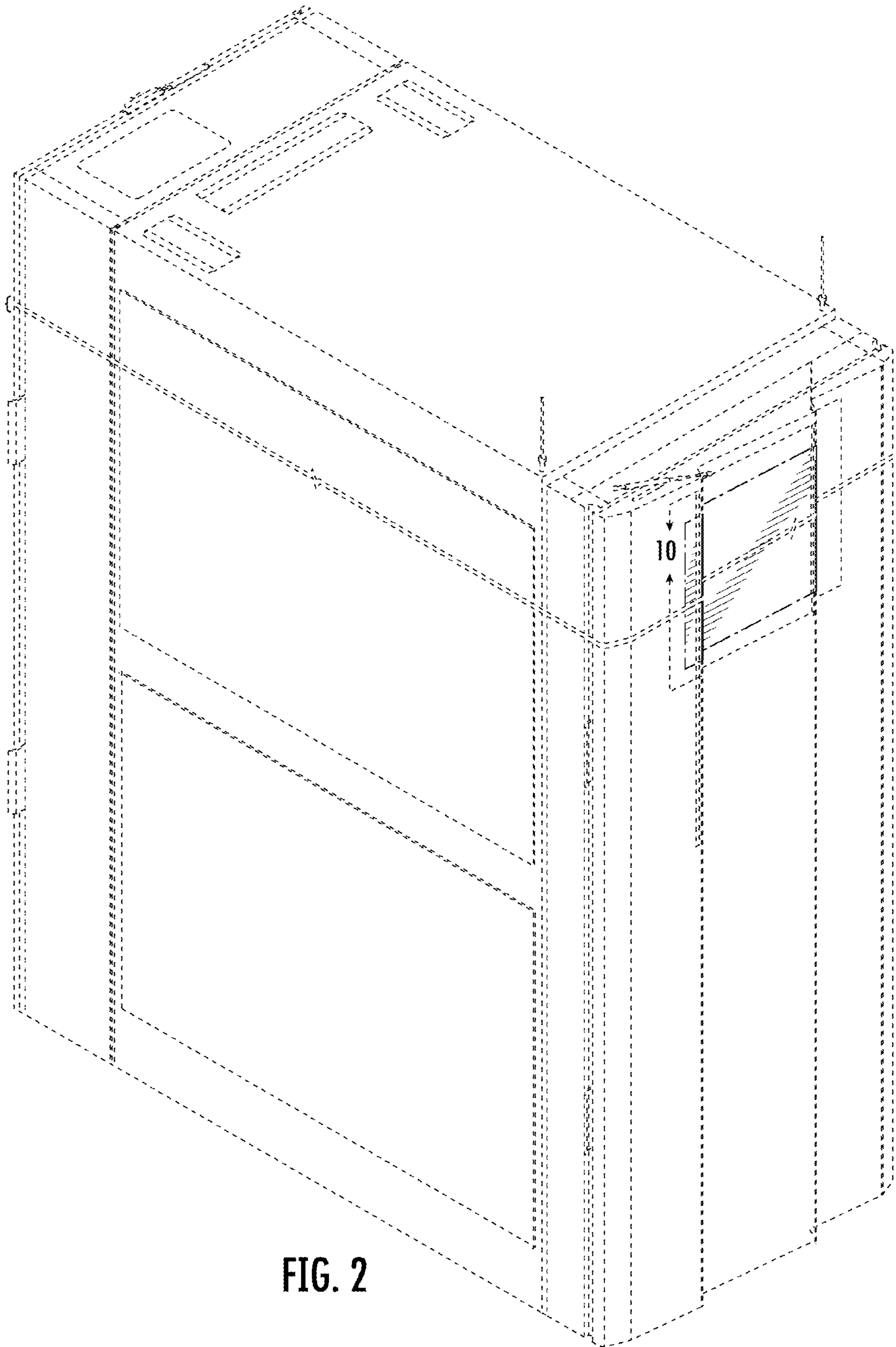


FIG. 2

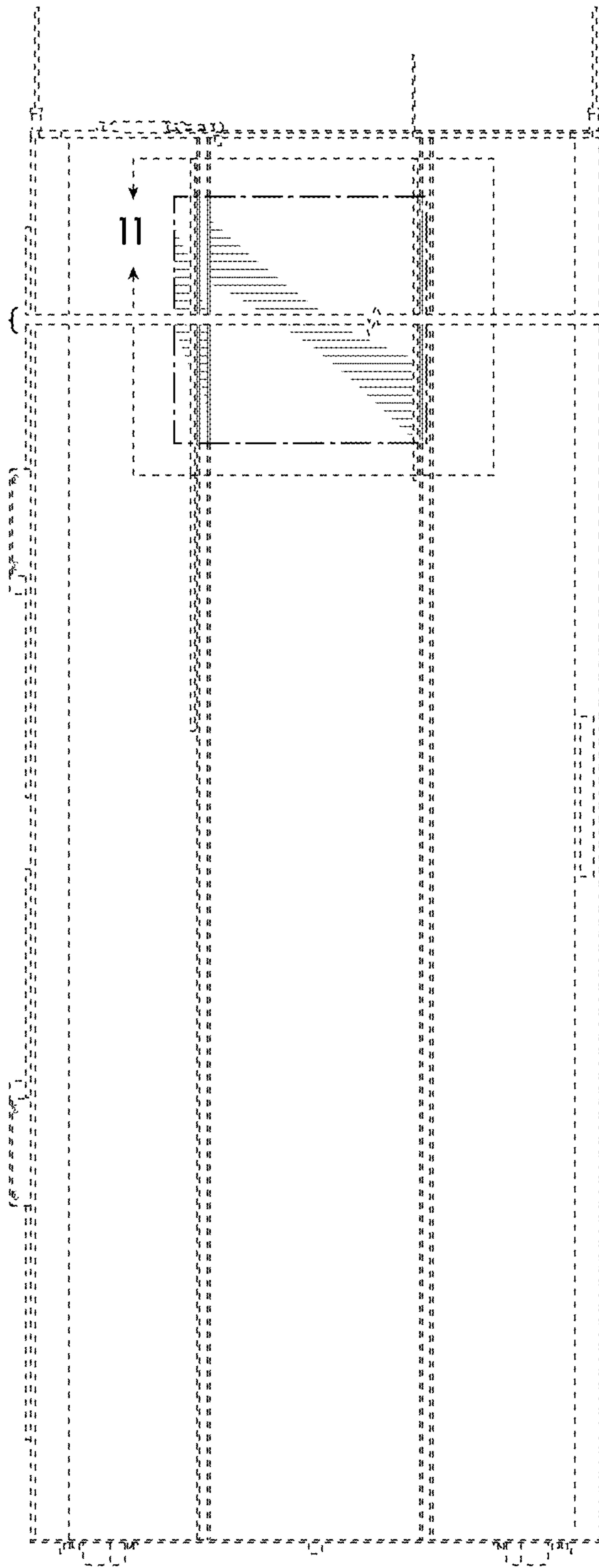


FIG. 3

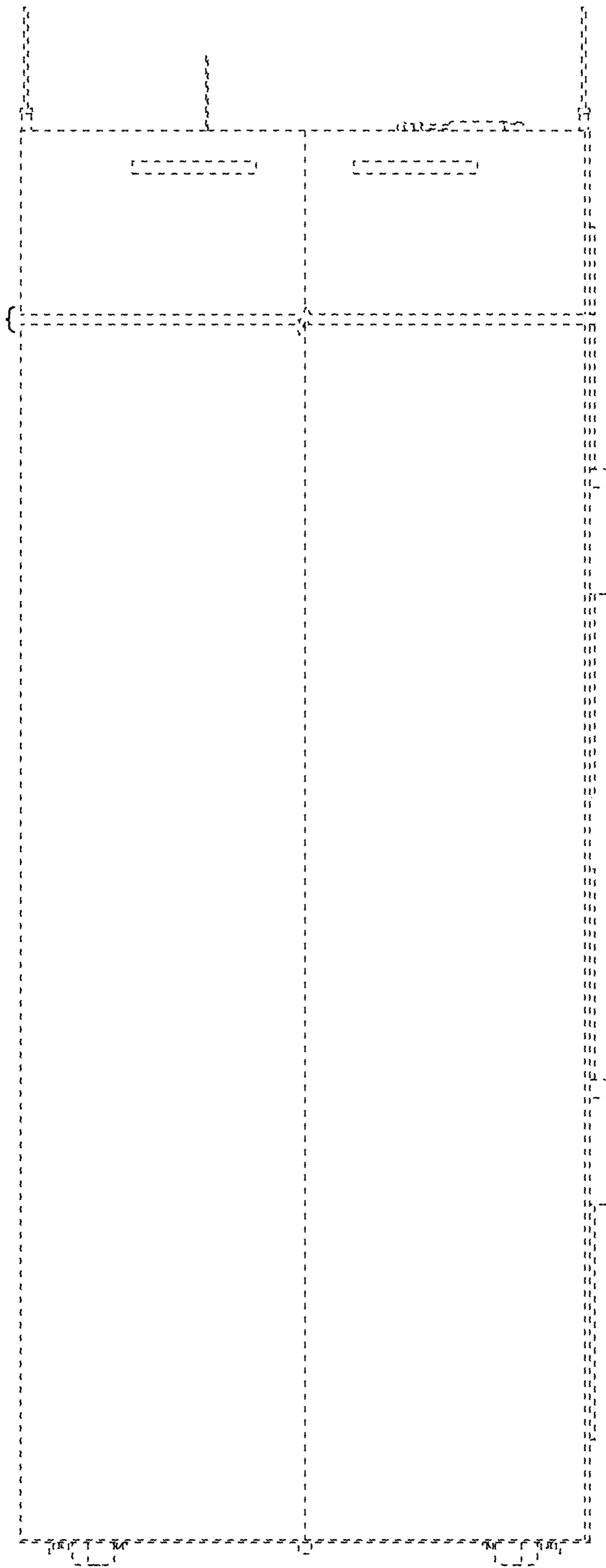


FIG. 4

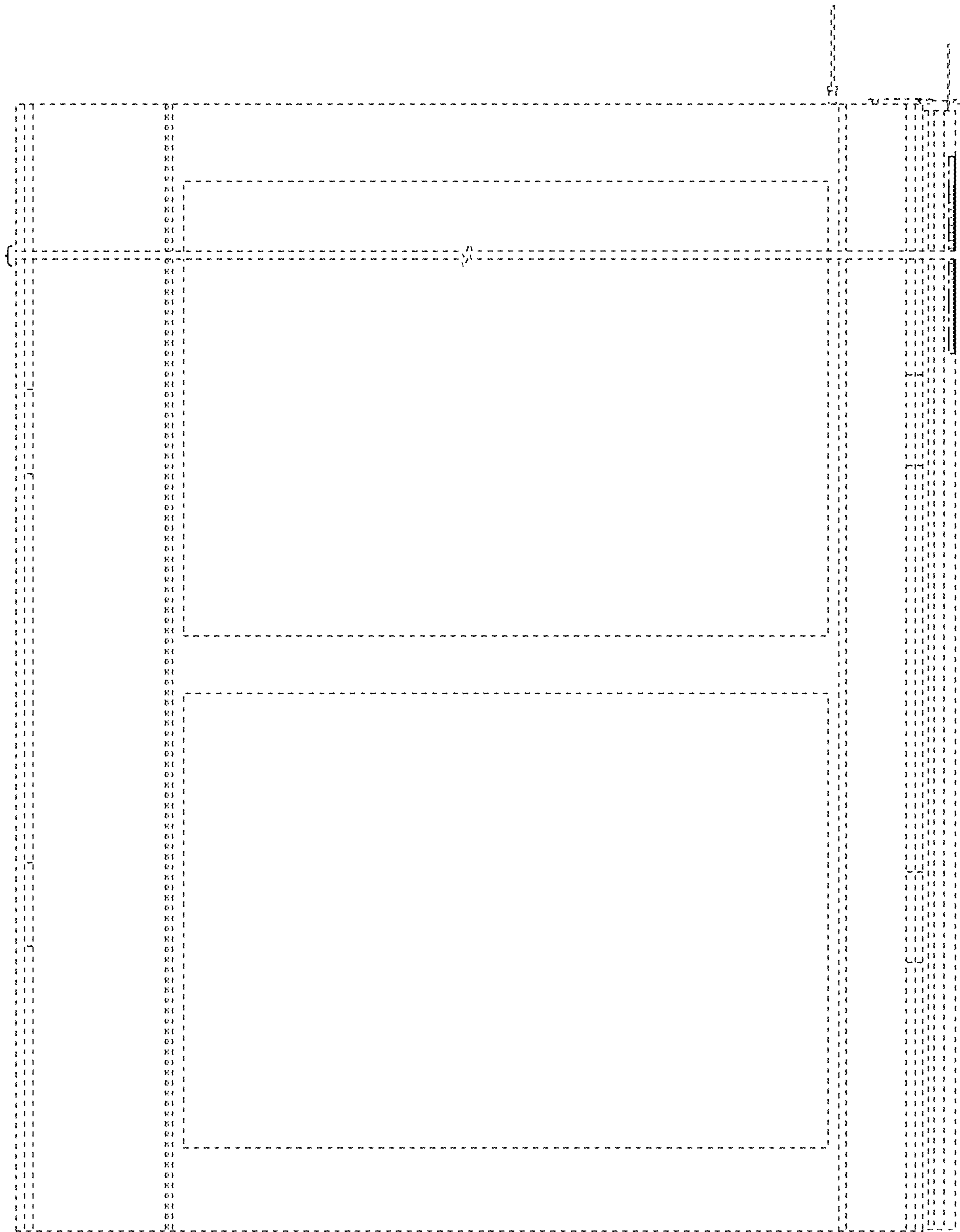


FIG. 5

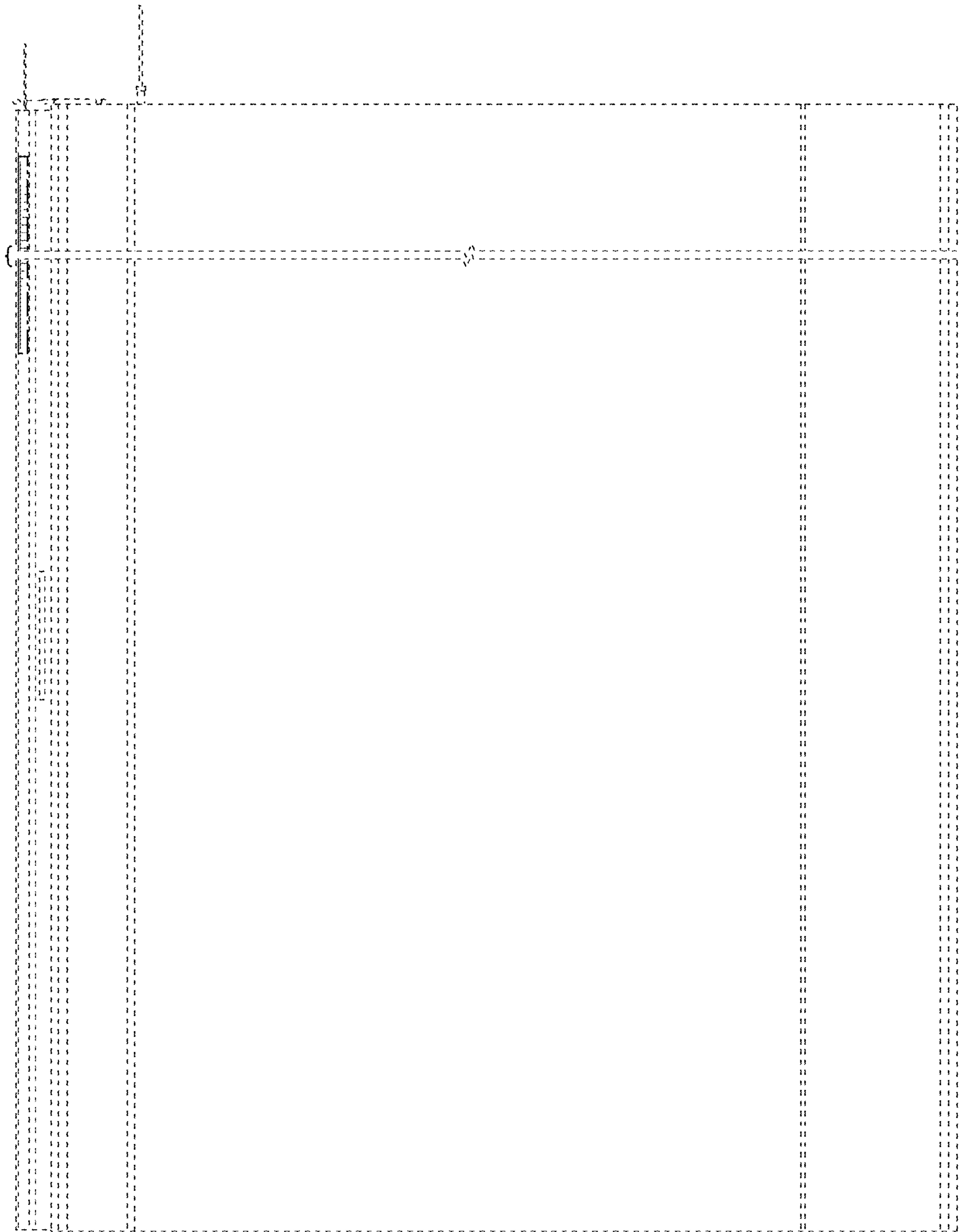


FIG. 6



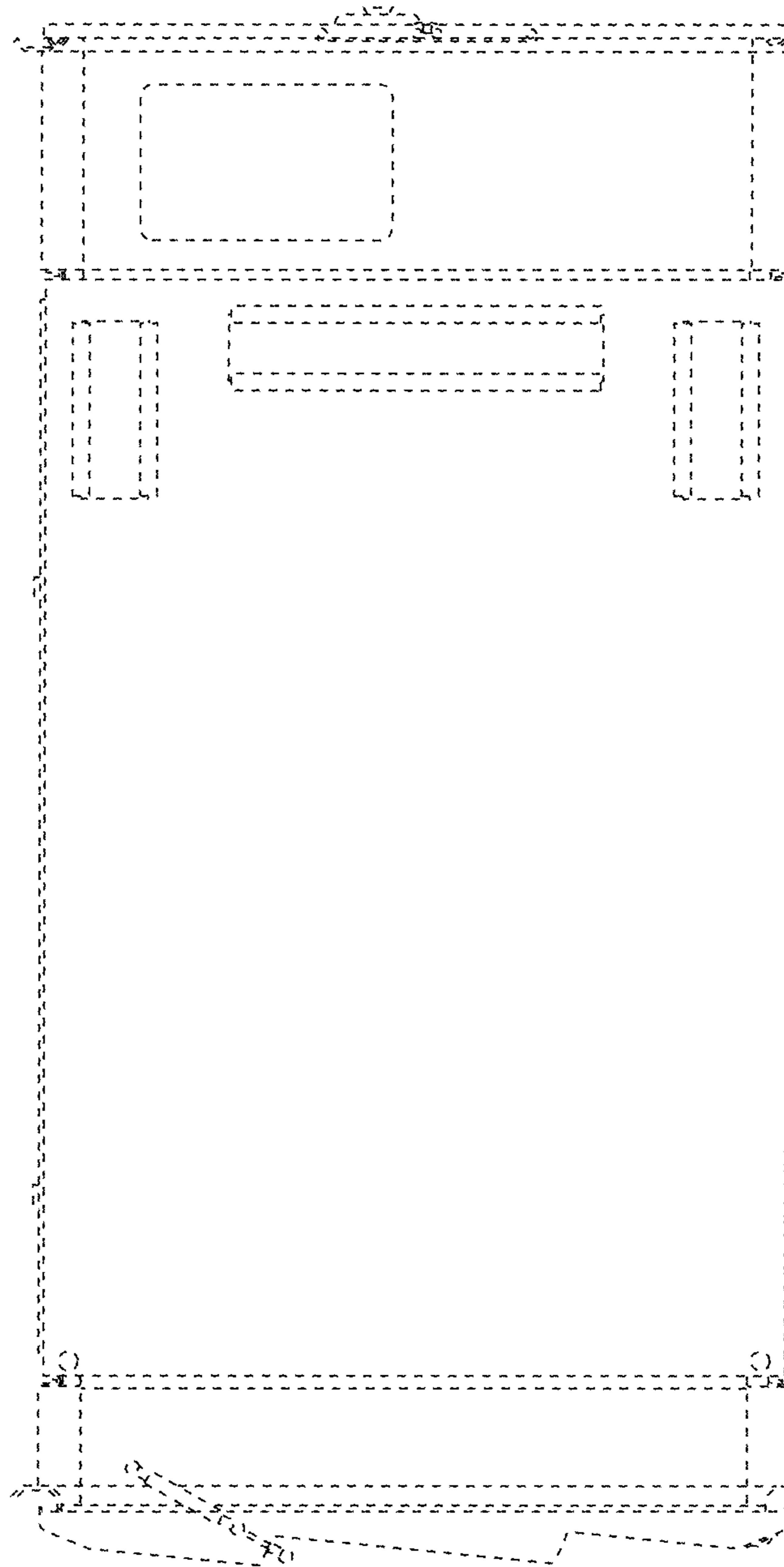


FIG. 7

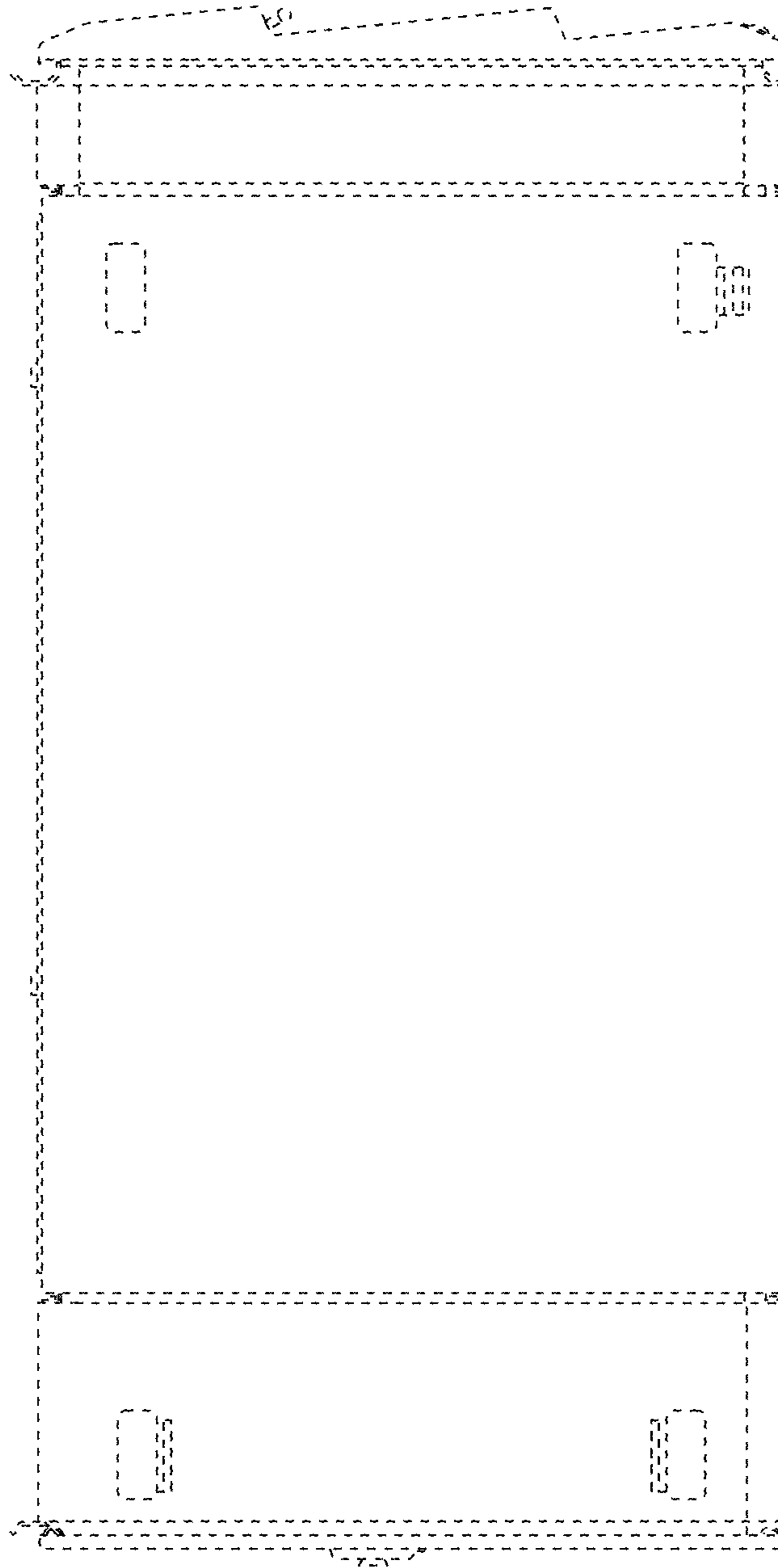


FIG. 8

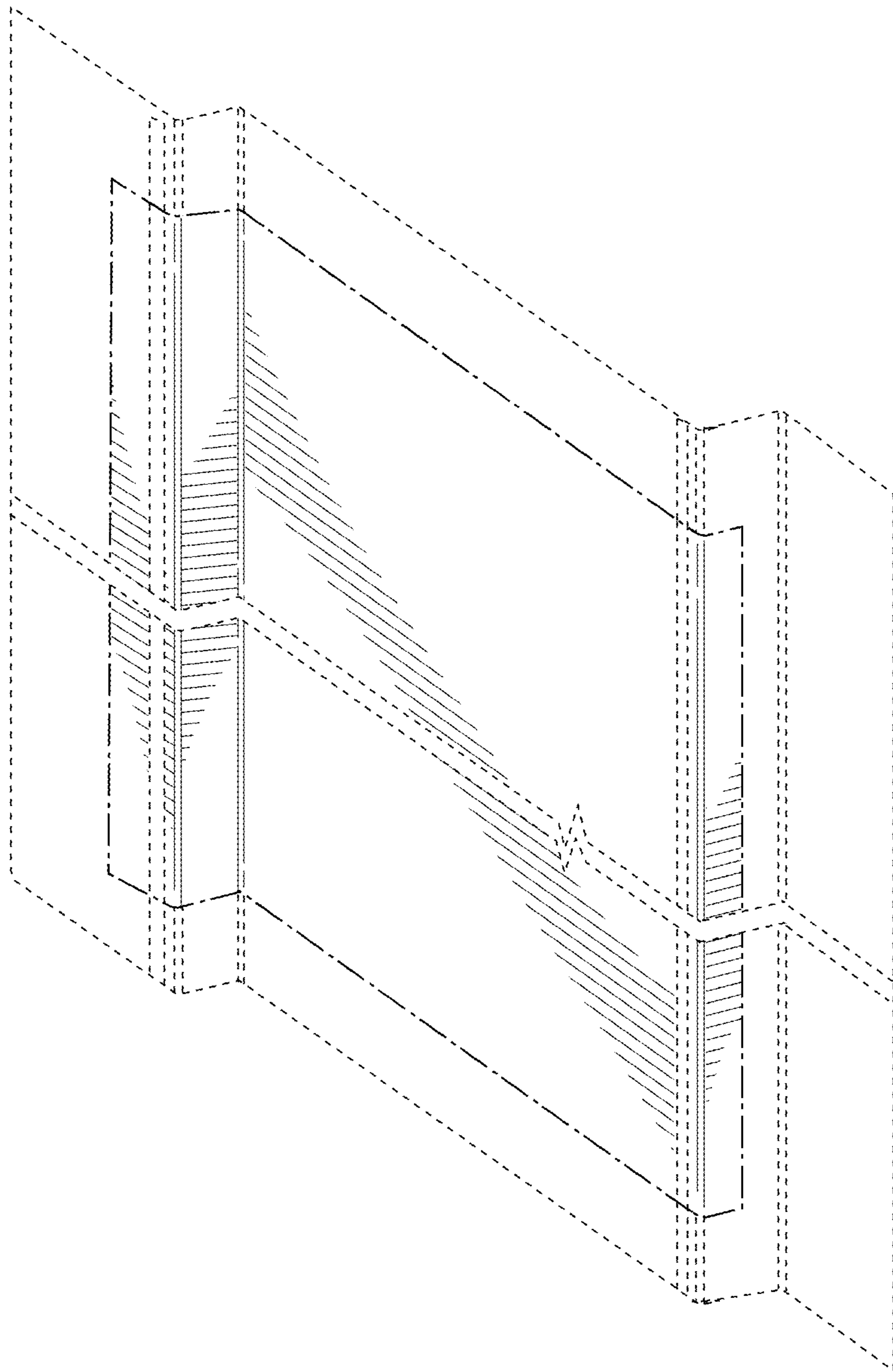


FIG. 9

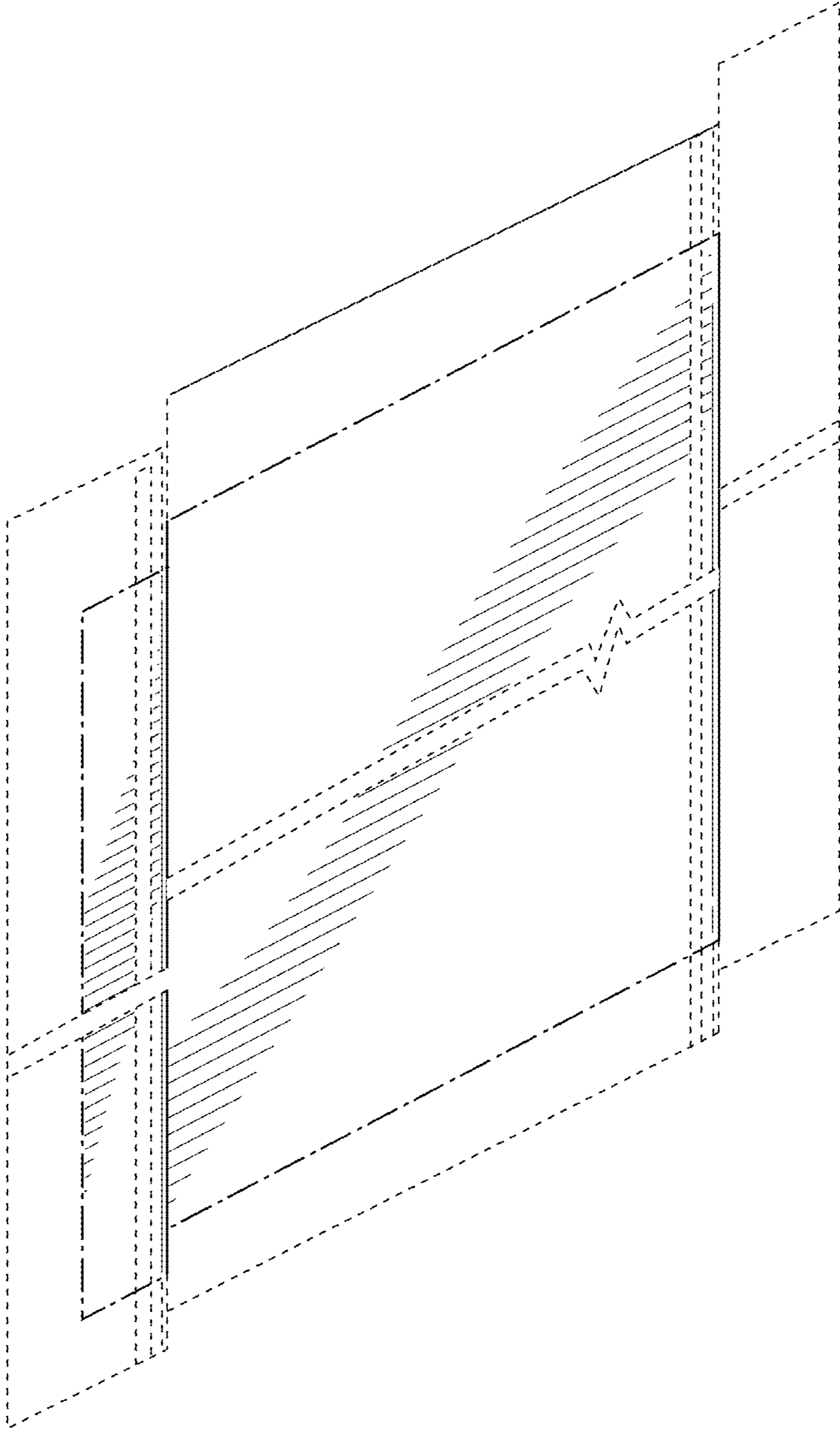


FIG. 10



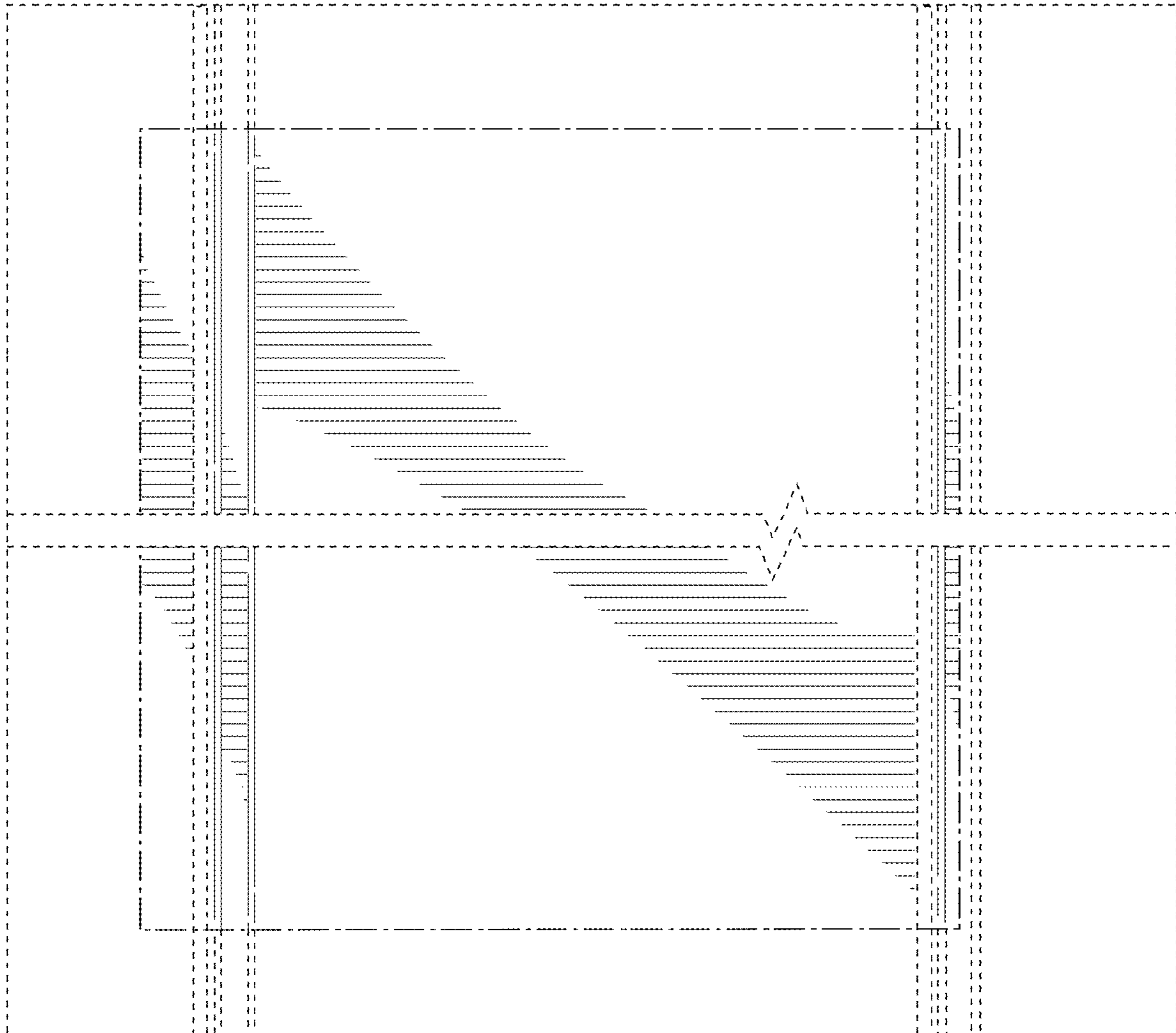


FIG. 11