



US00D939506S

(12) **United States Design Patent** (10) **Patent No.:** **US D939,506 S**
Liao (45) **Date of Patent:** **** *Dec. 28, 2021**

(54) **MULTI-FUNCTIONAL CONVERTER**
(71) Applicant: **GUANGDONG GOPOD GROUP HOLDING CO., LTD**, Shenzhen (CN)
(72) Inventor: **Zhuowen Liao**, Shenzhen (CN)
(73) Assignee: **Guangdong Gopod Group Holding Co., Ltd.**, Shenzhen (CN)

D862,473 S * 10/2019 Liu D14/433
D864,205 S * 10/2019 Wang D14/433
D864,208 S * 10/2019 Duan D14/433
D864,964 S * 10/2019 Lyu D14/433
D866,557 S * 11/2019 Xiong D14/433
D876,439 S * 2/2020 Turksu D14/433
D878,373 S * 3/2020 Zhang D14/433
D879,780 S * 3/2020 Liao D14/433
D881,192 S * 4/2020 Ma D14/433
D882,577 S * 4/2020 Liao D14/433
D882,578 S * 4/2020 Zhang D14/433
D883,983 S * 5/2020 Zhang D14/433

(*) Notice: This patent is subject to a terminal disclaimer.

(Continued)

(**) Term: **15 Years**

FOREIGN PATENT DOCUMENTS

(21) Appl. No.: **29/727,913**

EM 007333893-0003 * 12/2019

(22) Filed: **Mar. 13, 2020**

Primary Examiner — Angela J Lee

(30) **Foreign Application Priority Data**

Assistant Examiner — Rebekah A Caruso

Nov. 29, 2019 (CN) 201930663862.6

(74) *Attorney, Agent, or Firm* — Wolf, Greenfield & Sacks, P.C.

(51) **LOC (13) Cl.** **14-02**

(52) **U.S. Cl.**
USPC **D14/433**

(57) **CLAIM**

The ornamental design for a “multi-functional converter”, as shown and described.

(58) **Field of Classification Search**
USPC ... D14/432, 433, 434, 435, 435.1, 436, 439, D14/480.1–480.7, 484.1, 203.1–203.8, D14/240, 242; D13/107, 108
CPC G06F 13/122; G06F 13/382; G06F 13/385; G06F 13/4022; G06F 13/4282; G06F 1/1632; G06F 1/1684; H01R 25/006; H05K 5/0278; G06K 19/07732
See application file for complete search history.

DESCRIPTION

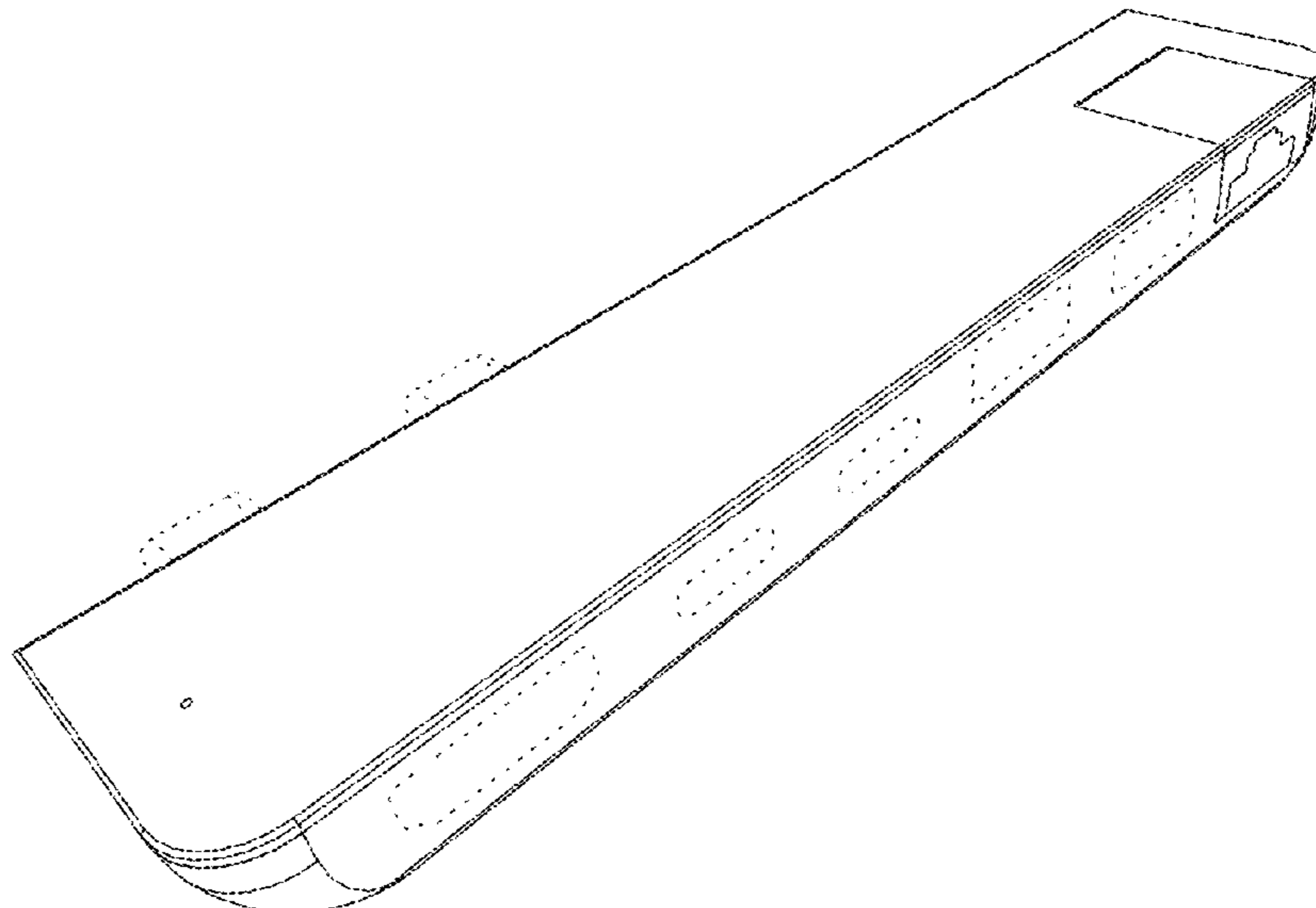
FIG. 1 is a first perspective view of a multi-functional converter;
FIG. 2 is a second perspective view thereof;
FIG. 3 is a front view thereof;
FIG. 4 is a rear view thereof;
FIG. 5 is a left side view thereof;
FIG. 6 is a right side view thereof;
FIG. 7 is a top view thereof;
FIG. 8 is a bottom view thereof; and,
FIG. 9 is a perspective view thereof, shown in a state of use.
The broken lines in the figures depict portions of the multi-functional converter that form no part of the claimed design.

(56) **References Cited**

U.S. PATENT DOCUMENTS

D800,730 S * 10/2017 Liao D14/433
D830,366 S * 10/2018 Turksu D14/433
D855,054 S * 7/2019 Turksu D14/433
D855,616 S * 8/2019 Chin D14/433

1 Claim, 9 Drawing Sheets



(56)

References Cited

U.S. PATENT DOCUMENTS

D886,105 S	*	6/2020	Duan	D14/433
D890,759 S	*	7/2020	Fan	D14/433
D899,427 S	*	10/2020	Liao	D14/433
D900,104 S	*	10/2020	Liao	D14/433
D900,111 S	*	10/2020	Wu	D14/433
D918,211 S	*	5/2021	Liao	D14/433
D919,627 S	*	5/2021	Turksu	D14/433
D925,540 S	*	7/2021	Feng	D14/433

* cited by examiner

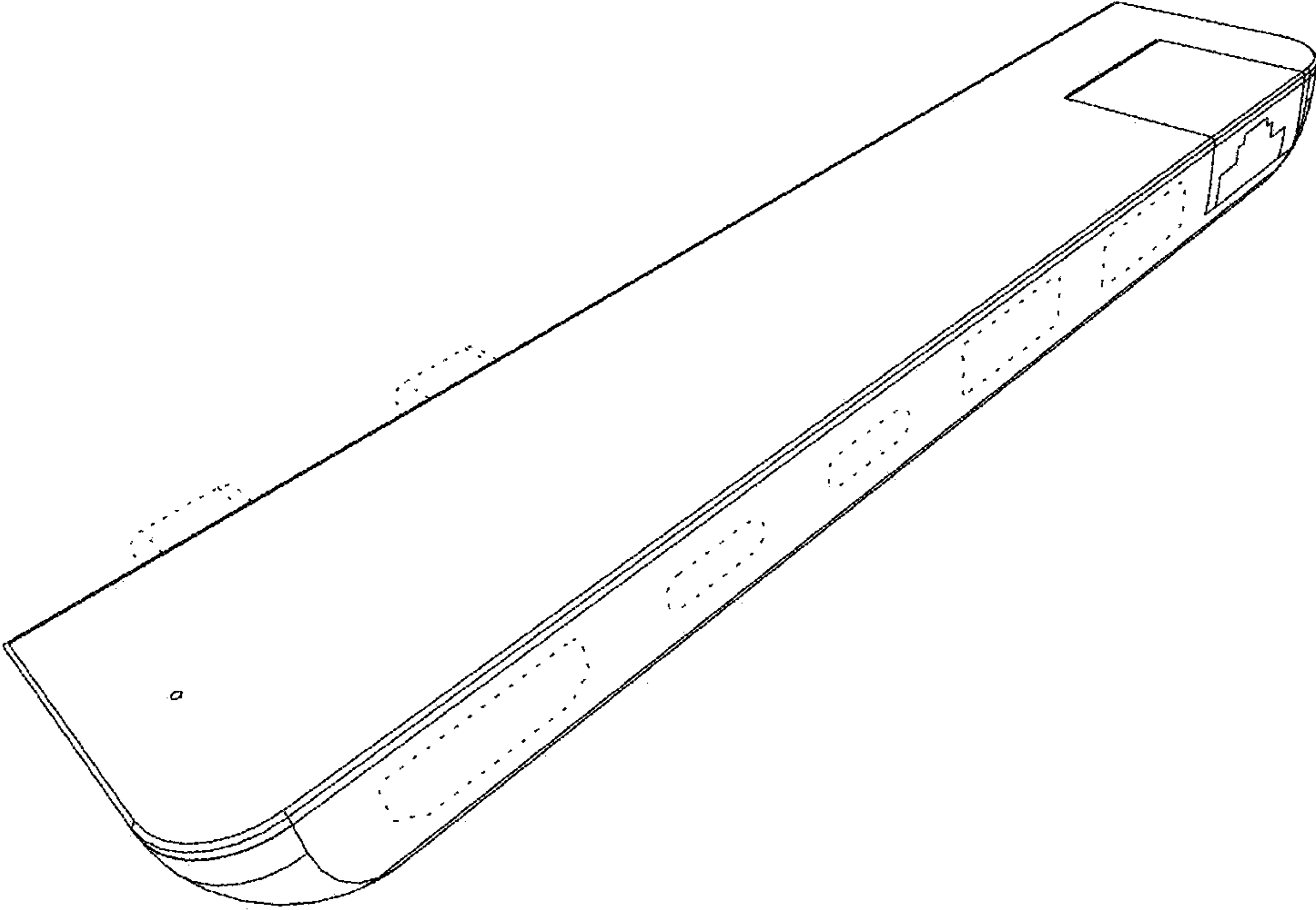


FIG. 1

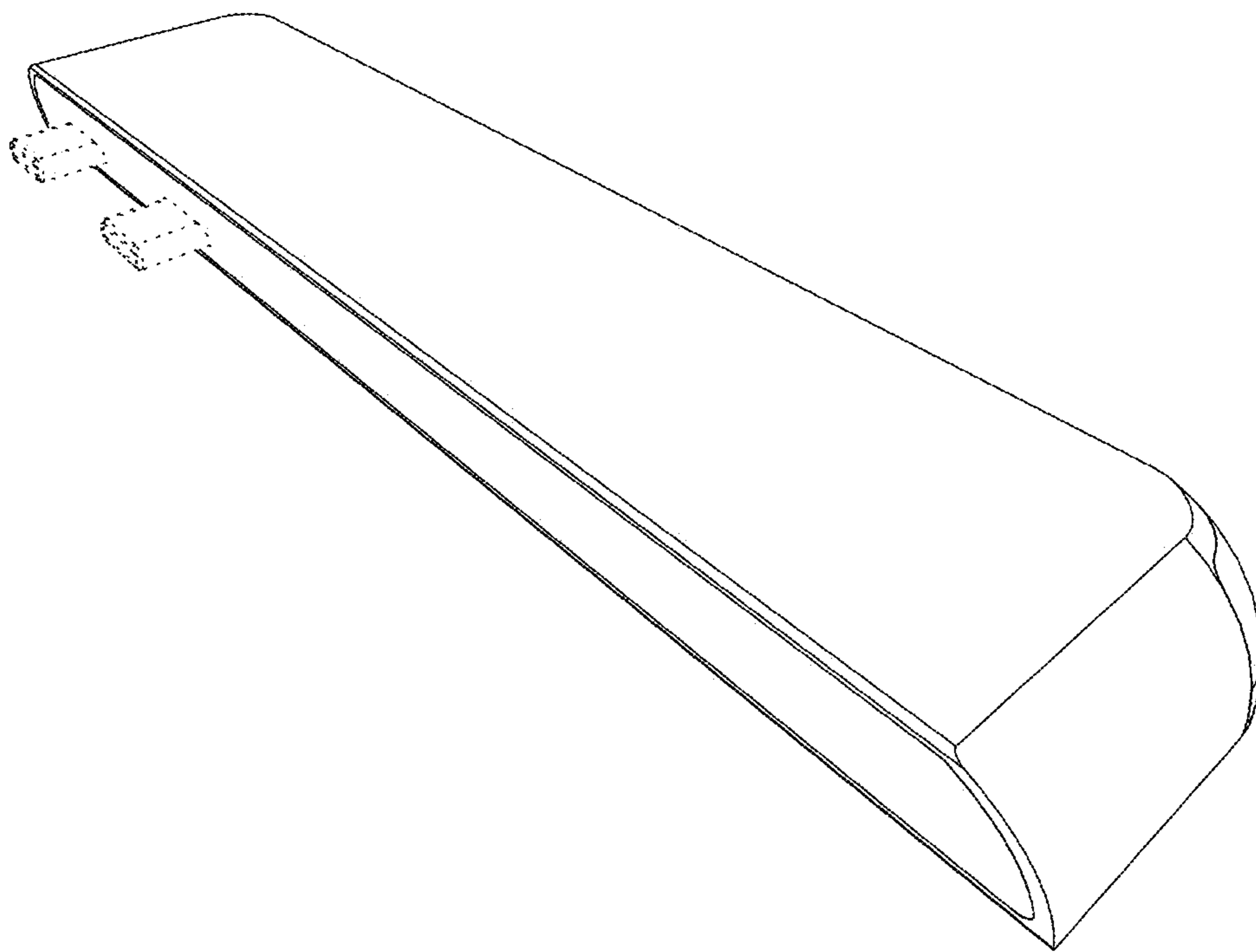


FIG.2

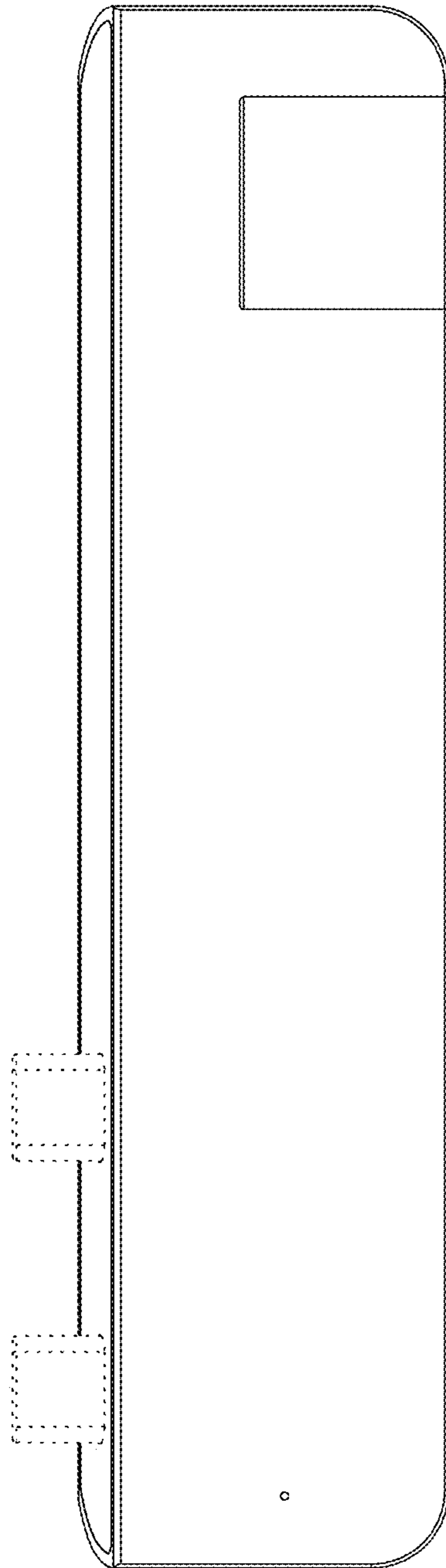


FIG. 3

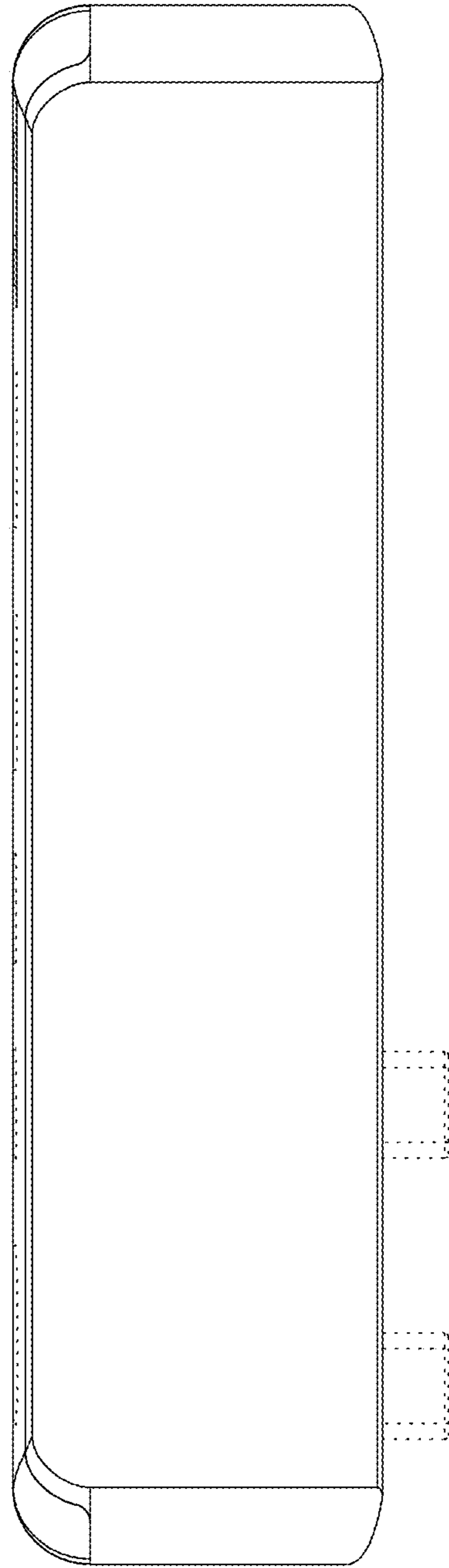


FIG.4

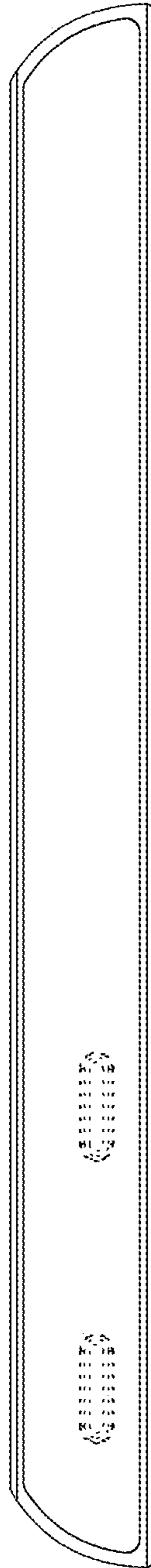


FIG. 5

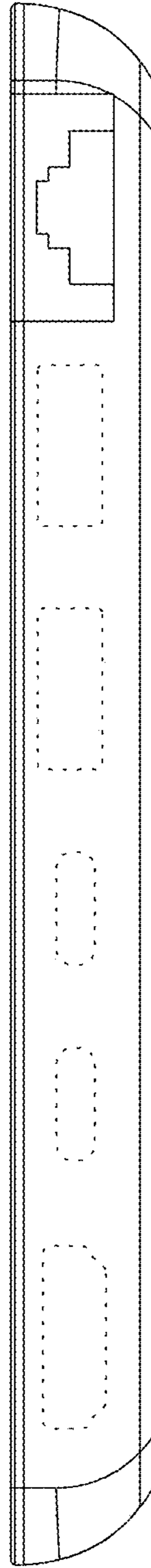


FIG. 6

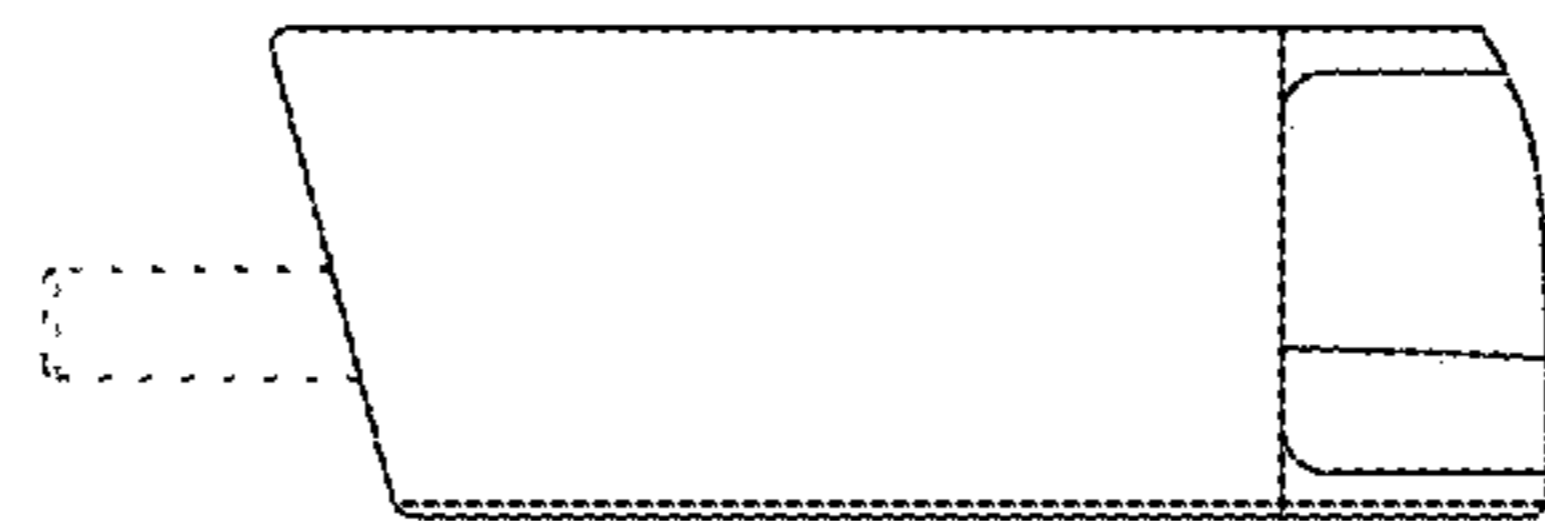


FIG. 7

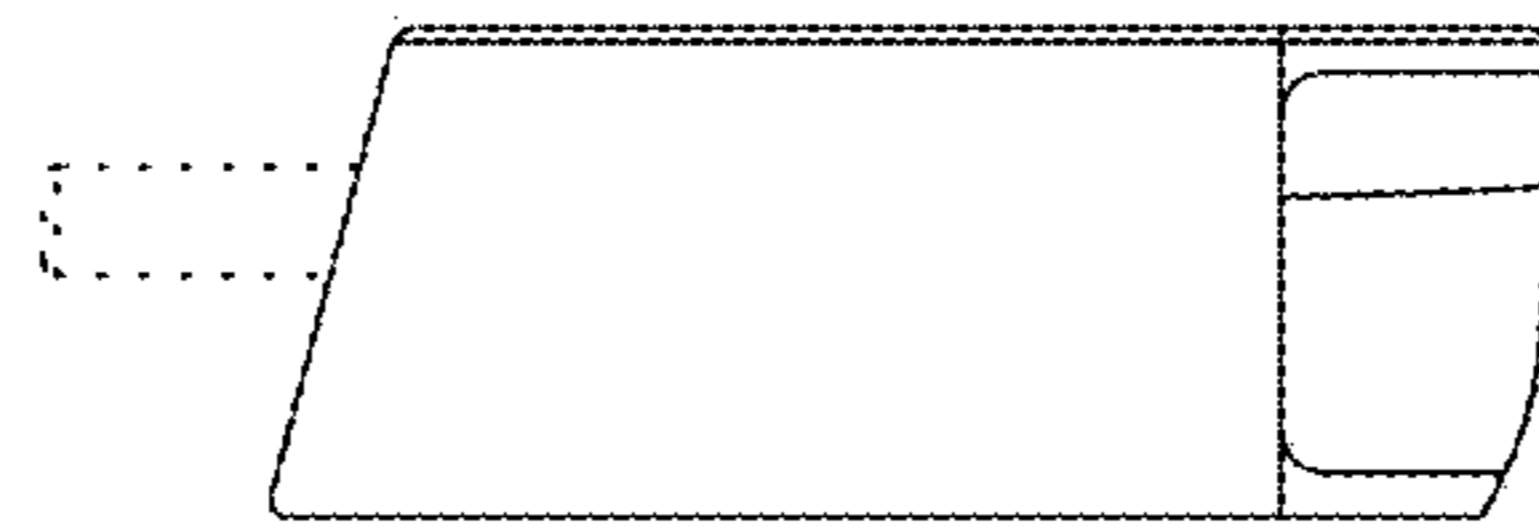


FIG. 8

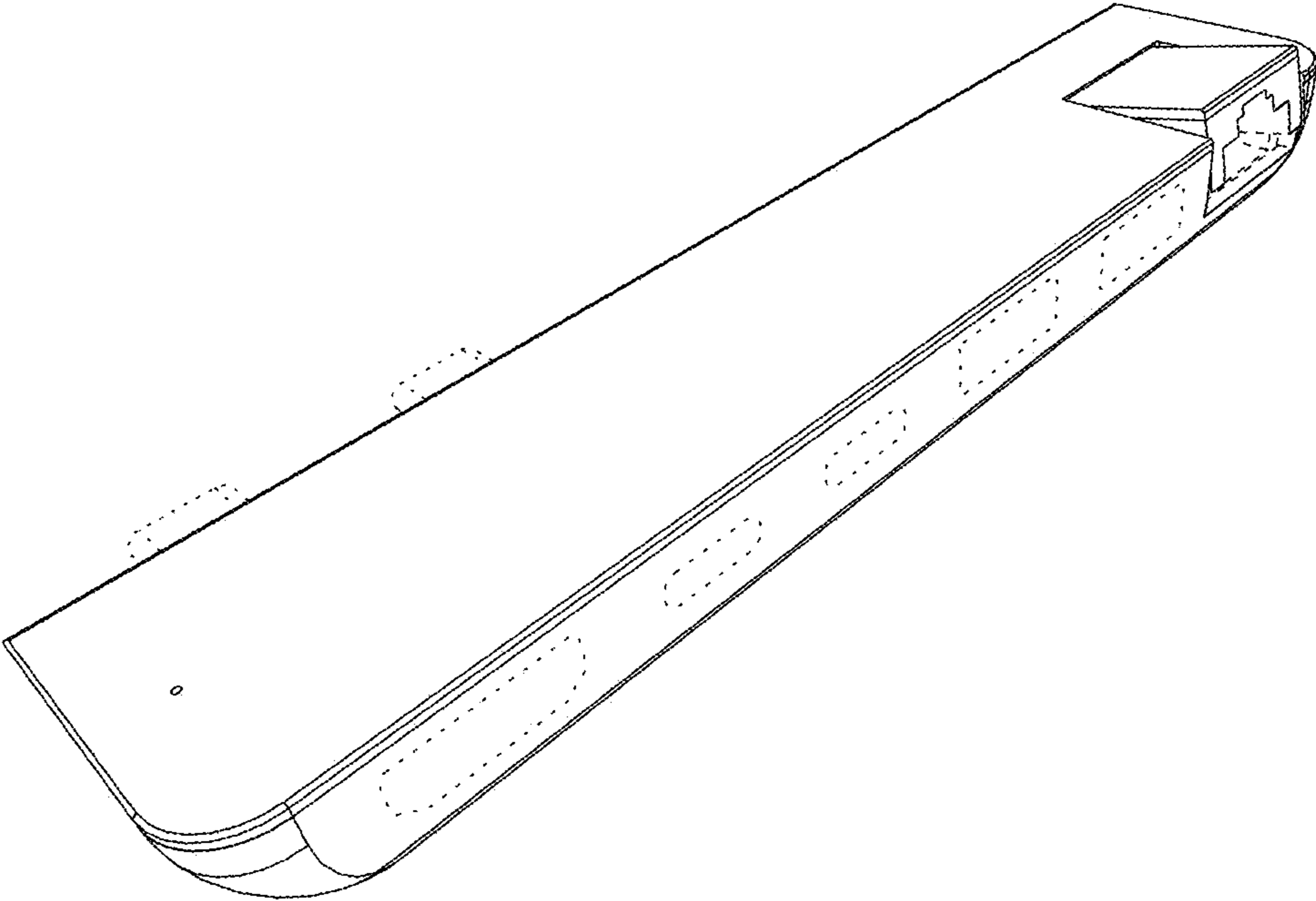


FIG. 9