



US00D939505S

(12) **United States Design Patent**
Zhang et al.

(10) **Patent No.:** **US D939,505 S**

(45) **Date of Patent:** **** Dec. 28, 2021**

(54) **CONVERTER**

(71) Applicant: **Ugreen Group Limited**, Shenzhen (CN)

(72) Inventors: **Qingsen Zhang**, Shenzhen (CN);
Junling Chen, Shenzhen (CN);
Houling Wang, Shenzhen (CN)

(**) Term: **15 Years**

(21) Appl. No.: **29/725,936**

(22) Filed: **Feb. 28, 2020**

(51) **LOC (13) Cl.** **14-99**

(52) **U.S. Cl.**
USPC **D14/433**

(58) **Field of Classification Search**
USPC ... D14/432, 433, 434, 435, 435.1, 436, 439,
D14/480.1-480.7, 484.1, 203.1-203.8,
D14/240, 242; D13/107, 108
CPC G06F 13/122; G06F 13/382; G06F 13/385;
G06F 13/4022; G06F 13/4282; G06F
1/1632; G06F 1/1684; H01R 25/006;
H05K 5/0278; G06K 19/07732
See application file for complete search history.

(56) **References Cited**

U.S. PATENT DOCUMENTS

- D336,287 S * 6/1993 Mizusugi D14/434
- D412,702 S * 8/1999 Goto D14/434
- 6,912,125 B2 * 6/2005 Weng G06F 1/1632
361/679.41
- D642,121 S * 7/2011 Lee D13/108
- D657,741 S * 4/2012 Fahrendorff D13/108
- D672,350 S * 12/2012 Gioscia D14/434
- D674,392 S * 1/2013 Cheng D14/434
- D679,712 S * 4/2013 McParland D14/434
- D709,858 S * 7/2014 Kim D14/171
- D736,211 S * 8/2015 Kirkpatrick H05K 7/20136
D14/434

- D779,493 S * 2/2017 Eliyahu D14/434
- D795,876 S * 8/2017 Fletcher D14/434
- D879,718 S * 3/2020 Piper D13/133
- D881,022 S * 4/2020 Long D10/2
- D924,129 S * 7/2021 Huang D13/107

FOREIGN PATENT DOCUMENTS

- CN 305626202 * 2/2020
- CN 305751142 * 5/2020
- CN 305997143 * 8/2020

OTHER PUBLICATIONS

Ugreen USB-C to 2*USB3.0+ HDMI+3.5mm+PD Converter . . .
[online]. Original publication date unknown. [Retrieved from the
Internet Aug. 16, 2021.] <URL: <https://www.alzashop.com/ugreen-usb-c-to-2usb30-hdmi35mmpd-converter-d6126454.htm> >.*

* cited by examiner

Primary Examiner — Angela J Lee
Assistant Examiner — Rebekah A Caruso

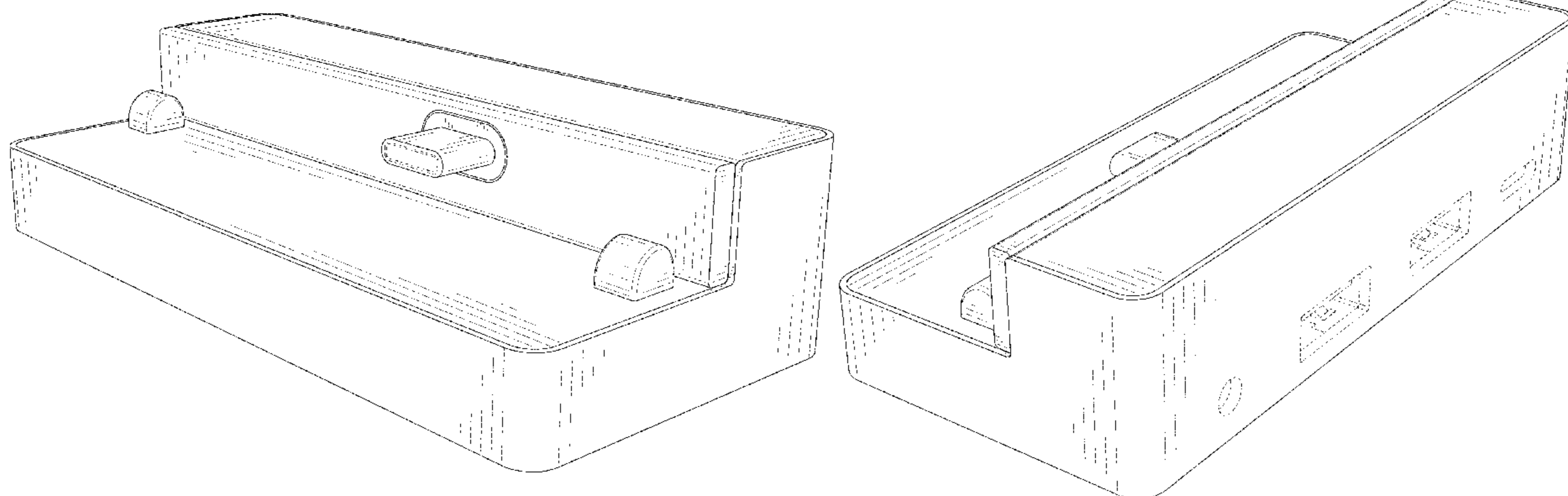
(57) **CLAIM**

The ornamental design for a converter, as shown and described.

DESCRIPTION

FIG. 1 is a first perspective view of a converter showing our new design;
FIG. 2 is a second perspective view thereof;
FIG. 3 is a front view thereof;
FIG. 4 is a back view thereof;
FIG. 5 is a left side view thereof;
FIG. 6 is a right side view thereof;
FIG. 7 is a top view thereof; and,
FIG. 8 is a bottom view thereof.
The broken lines shown in the drawings depict portions of the converter in which the design is embodied that form no part of the claimed design.

1 Claim, 8 Drawing Sheets



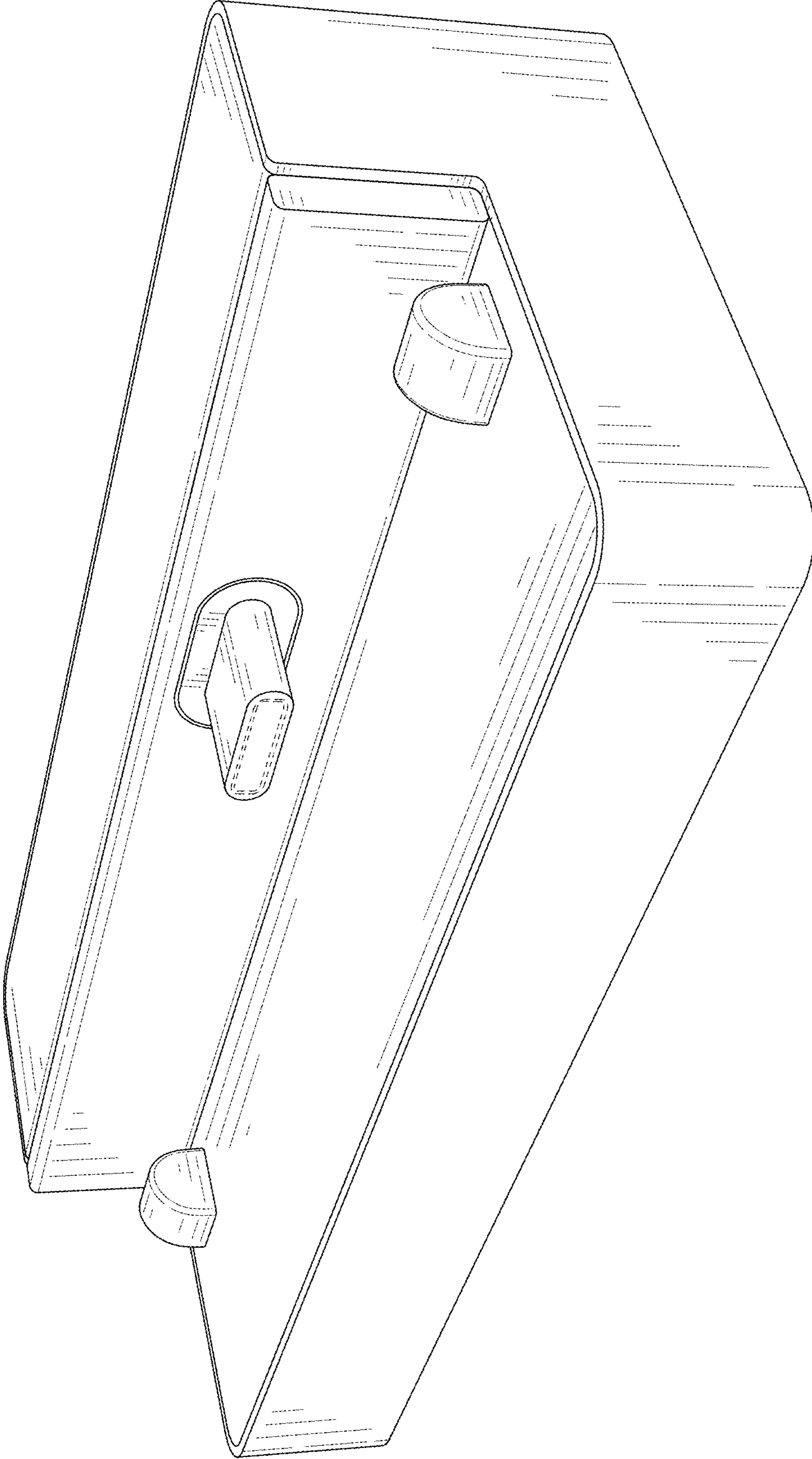


FIG. 1

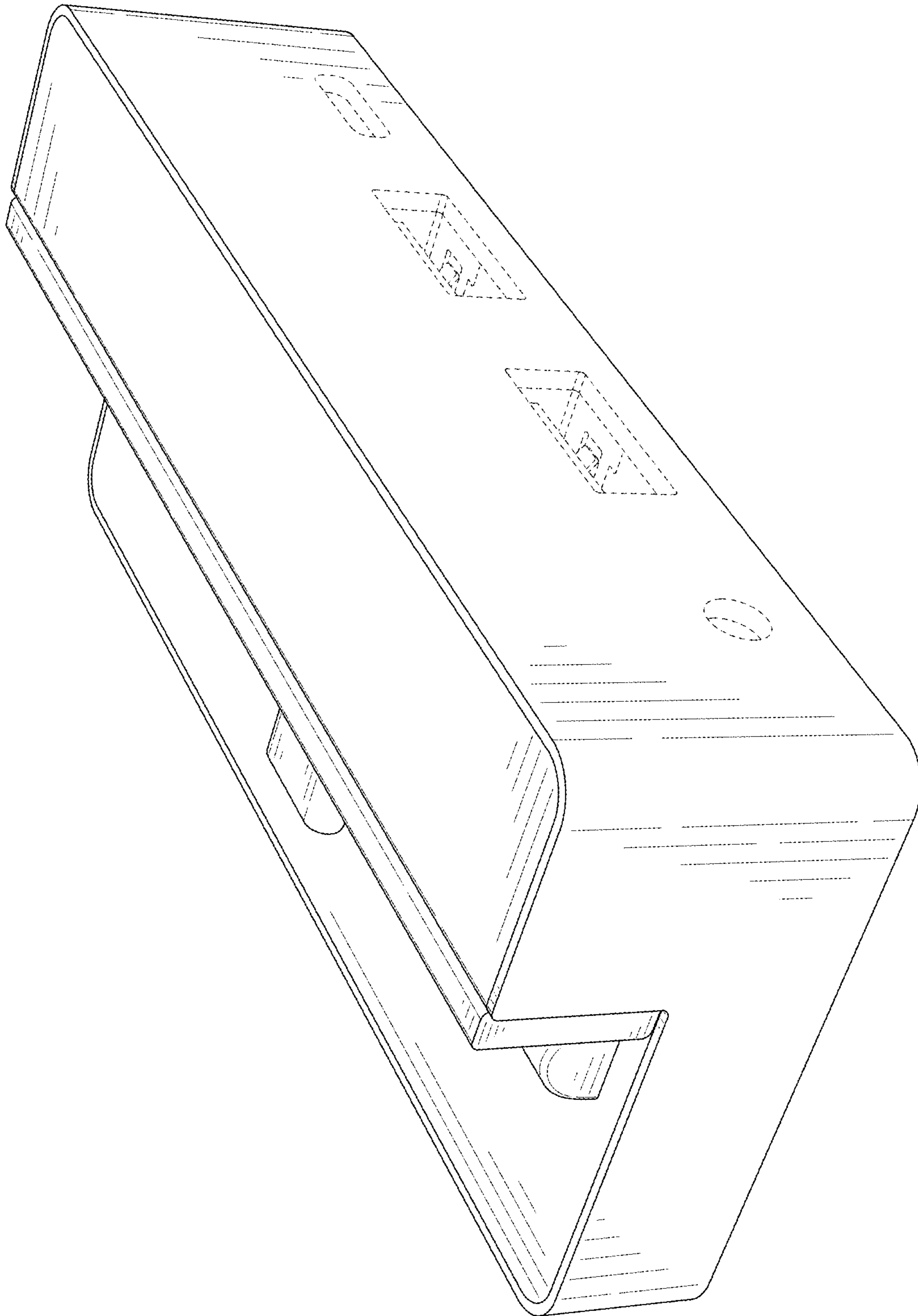


FIG. 2

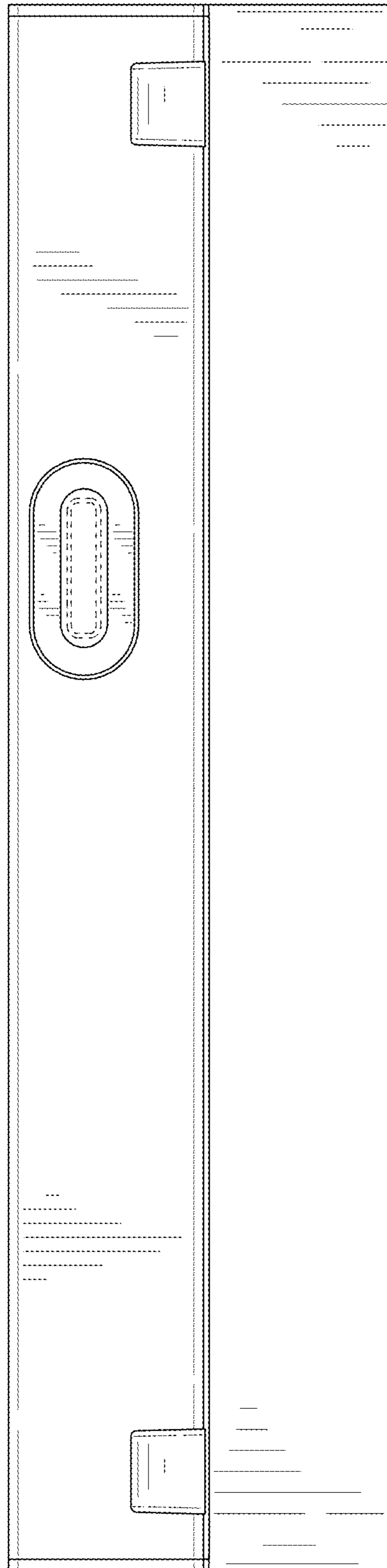


FIG. 3

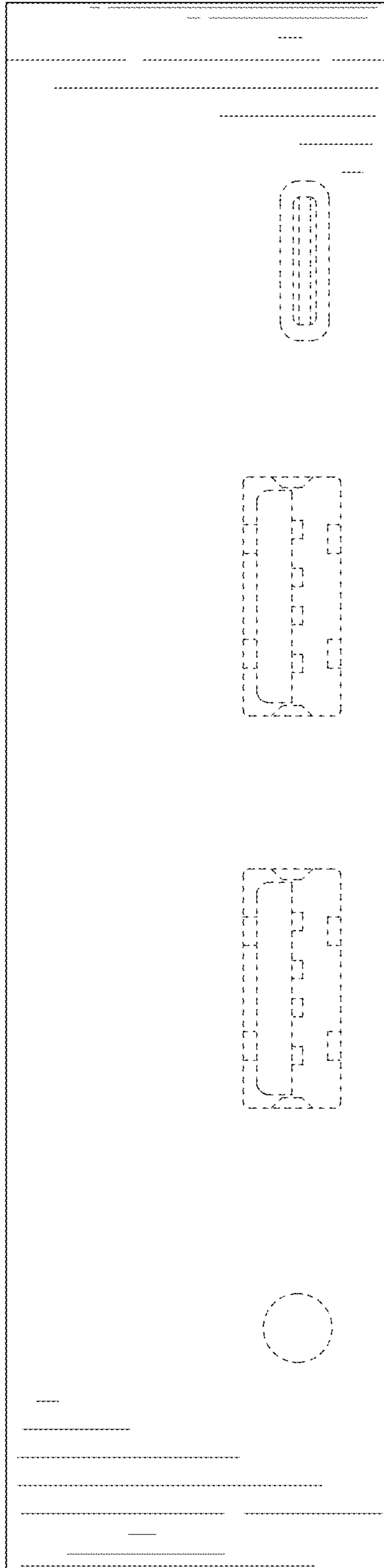


FIG. 4

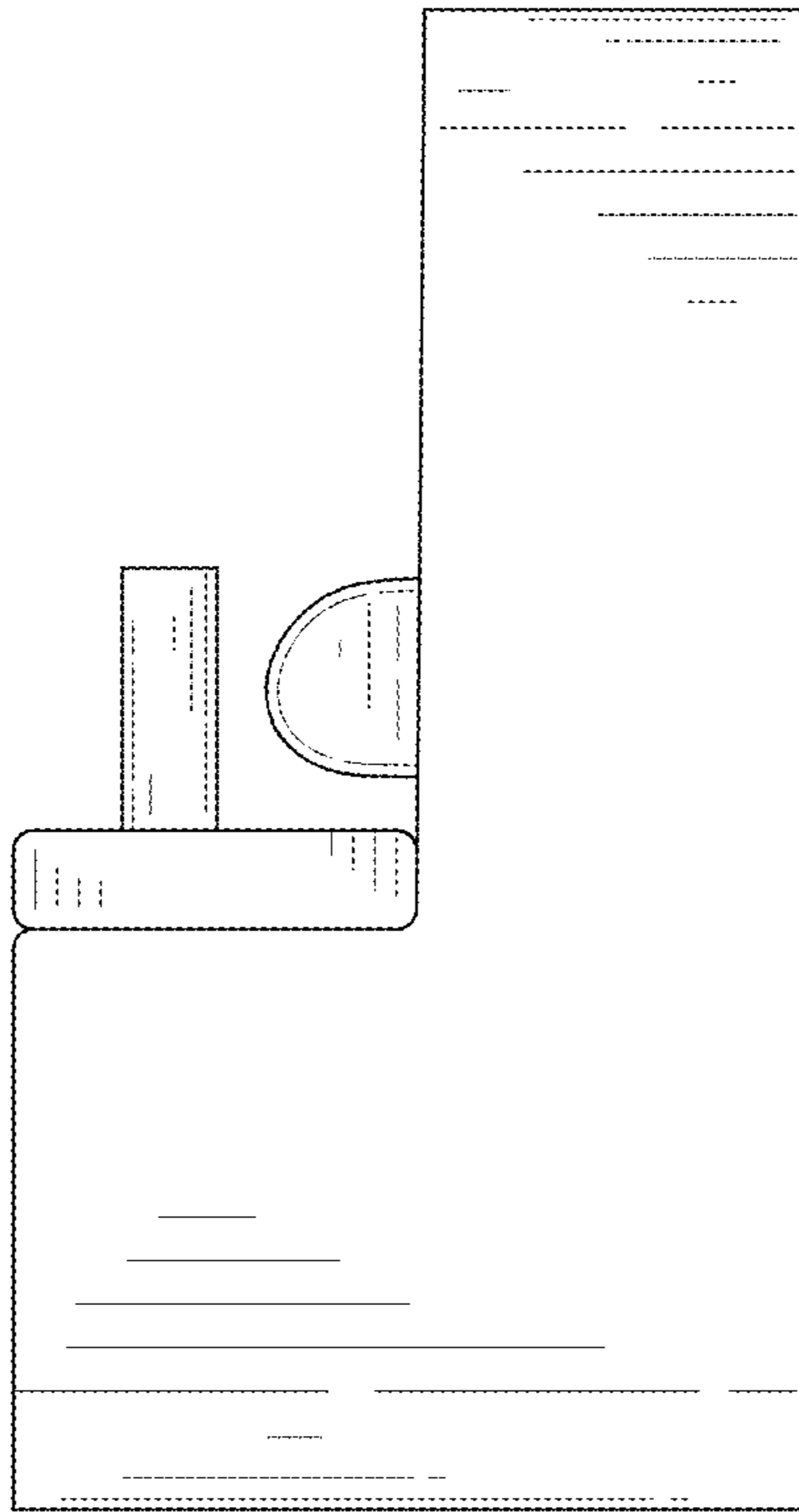


FIG. 5

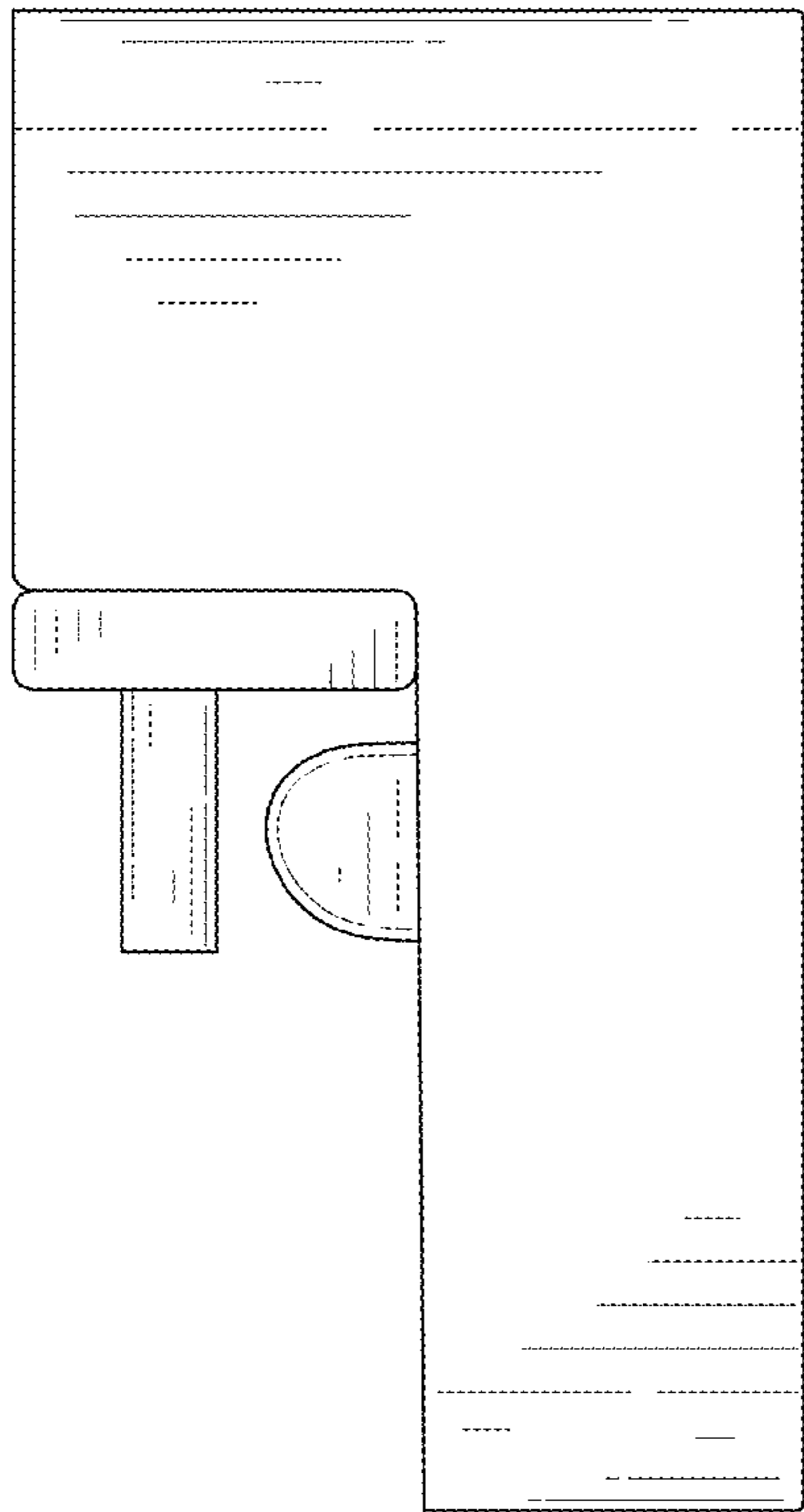


FIG. 6

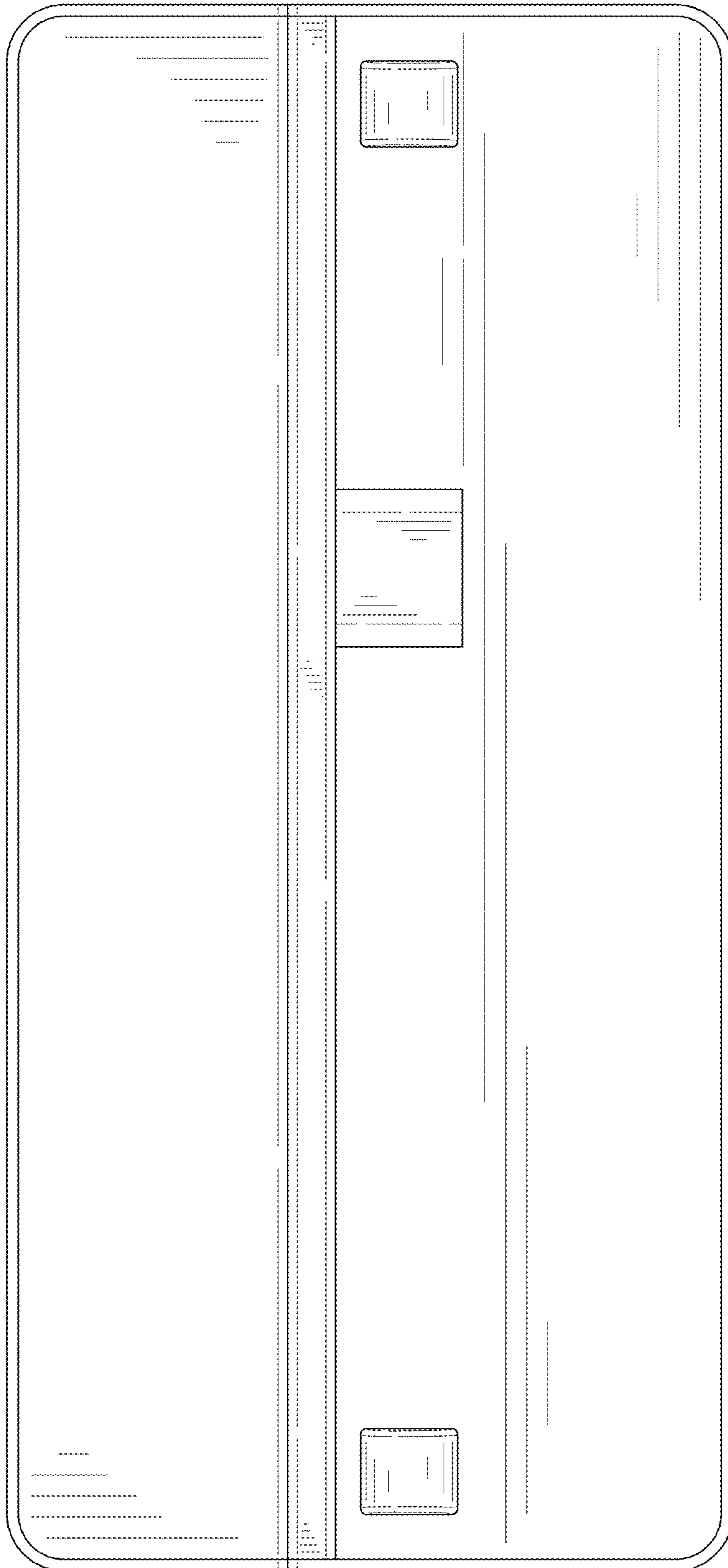


FIG. 7



FIG. 8