



US00D939503S

(12) **United States Design Patent** (10) **Patent No.:** **US D939,503 S**
Yum et al. (45) **Date of Patent:** **** Dec. 28, 2021**

(54) **STYLUS PEN**

FOREIGN PATENT DOCUMENTS

(71) Applicant: **SAMSUNG ELECTRONICS CO., LTD.**, Suwon-si (KR)

KR 301023701 S 9/2019
KR 301023702 S 9/2019

(Continued)

(72) Inventors: **Sungjin Yum**, Suwon-si (KR); **Hakdo Kim**, Suwon-si (KR); **Minah Koh**, Suwon-si (KR)

OTHER PUBLICATIONS

Apple unveils new Apple Pencil with wireless charging & new double tap feature. [online]. p. 1 of 1 [retrieved on Aug. 4, 2020]. Retrieved from the Internet: <URL: <https://www.macworld.co.uk/news/apple/apple-pencil-2-release-date-3641094/>>.

(Continued)

(73) Assignee: **SAMSUNG ELECTRONICS CO., LTD.**, Gyeonggi-Do (KR)

(**) Term: **15 Years**

(21) Appl. No.: **29/745,998**

Primary Examiner — Austin Murphy

(74) *Attorney, Agent, or Firm* — Cantor Colburn LLP

(22) Filed: **Aug. 11, 2020**

(57) **CLAIM**

(30) **Foreign Application Priority Data**

The ornamental design for a stylus pen, as shown and described.

Feb. 13, 2020 (KR) 30-2020-0006366

(51) **LOC (13) Cl.** **14-02**

(52) **U.S. Cl.**
USPC **D14/411**

(58) **Field of Classification Search**
USPC D14/372, 496, 432, 371, 125, 126, 129, D14/299, 411; D16/300-342; 351/158, 351/153, 144; 345/7-9, 905; 455/344; 348/115, 53, 121, 739
CPC G02B 27/017; G06F 3/016; G06F 3/033; G06F 3/0317; G06F 3/03545; G06F 3/041; G06K 9/222
See application file for complete search history.

DESCRIPTION

FIG. 1 is a front top perspective view of a stylus pen, showing our new design;
FIG. 2 is a front view thereof;
FIG. 3 is a rear view thereof;
FIG. 4 is a left side view thereof;
FIG. 5 is a right side view thereof;
FIG. 6 is a top view thereof;
FIG. 7 is a bottom view thereof;
FIG. 8 is a rear bottom perspective view thereof;
FIG. 9 is an enlarged view of the stylus pen in FIG. 6;
FIG. 10 is an enlarged view of the stylus pen in FIG. 7;
FIG. 11 is an enlarged view of the encircled portion '11' in FIG. 1; and,
FIG. 12 is an enlarged view of the encircled portion '12' in FIG. 8.
The dot-dot-dash broken lines in FIGS. 1, 8, 11, and 12, encircling enlargement portions of the claimed design form no part of the claimed design.

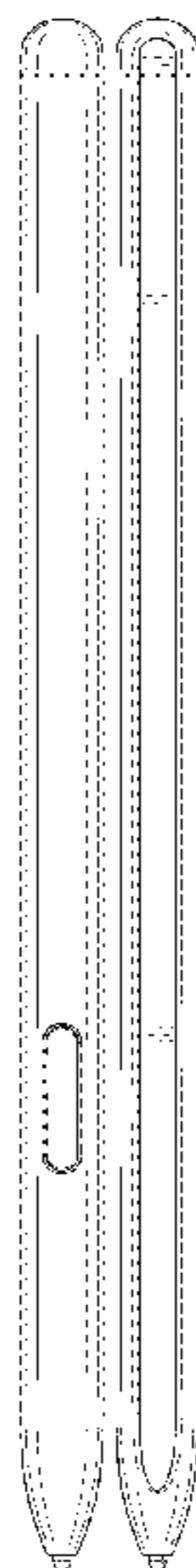
(56) **References Cited**

U.S. PATENT DOCUMENTS

D715,298 S 10/2014 Hong et al.
D773,462 S * 12/2016 Mitchell D14/411
D786,253 S 5/2017 Akana et al.
D789,370 S 6/2017 Akana et al.

(Continued)

1 Claim, 12 Drawing Sheets



(56)

References Cited

U.S. PATENT DOCUMENTS

D799,488 S * 10/2017 Nishizawa D14/411
D811,401 S * 2/2018 Lehman D14/411
D832,840 S * 11/2018 Shi D14/411
D896,812 S * 9/2020 Nishizawa D14/411
D911,341 S * 2/2021 Nishizawa D14/411
D917,483 S * 4/2021 Kang D14/411
D918,207 S * 5/2021 Kim D14/411
D918,912 S * 5/2021 Akana D14/411

FOREIGN PATENT DOCUMENTS

KR 301023703 S 9/2019
KR 301023704 S 9/2019

OTHER PUBLICATIONS

Apple's new 97 inch. [online]. p. 1 of 1 [retrieved on Aug. 4, 2020].
Retrieved from the Internet: <URL: https://www.gsmarena.com/apples_new_97inch_ipad_comes_with_pencil_support_and_an_a10_chip-news-30291.php.

Huawei MediaPad. [online]. p. 1 of 1 [retrieved on Aug. 4, 2020].
Retrieved from the Internet: <URL: https://www.gsmarena.com/huawei_mediapad_m7_renders_show_a_metal_tablet_with_slimmer_bezels_and_optional_stylus_and_keyboard-news-39717.php.

* cited by examiner

FIG. 1

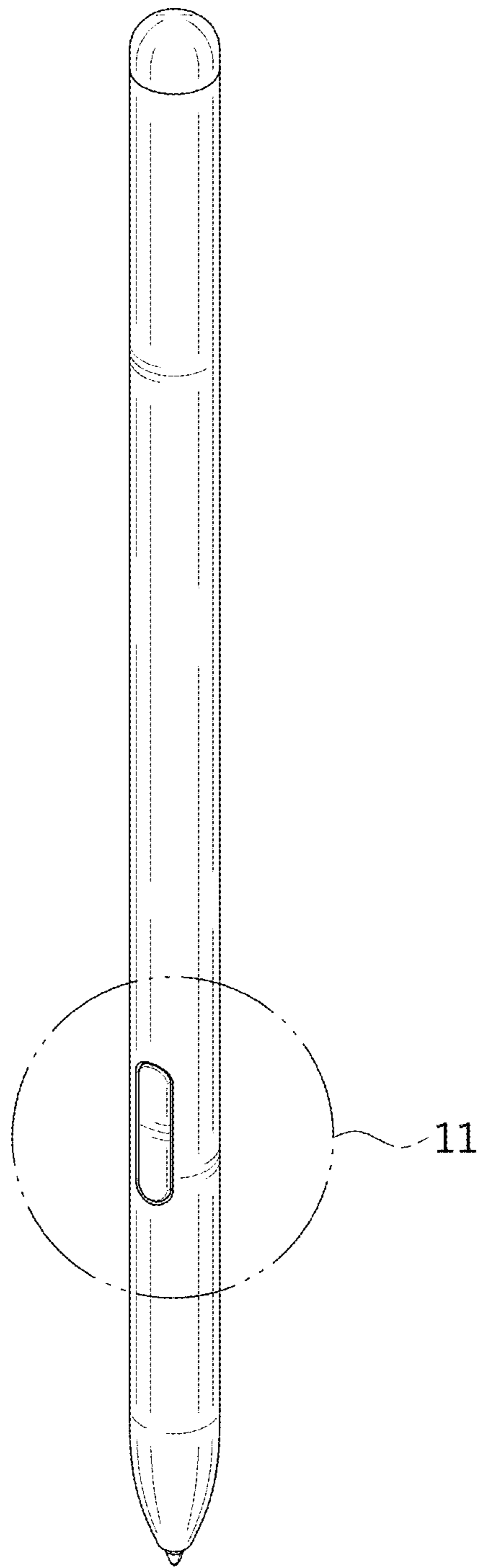


FIG. 2

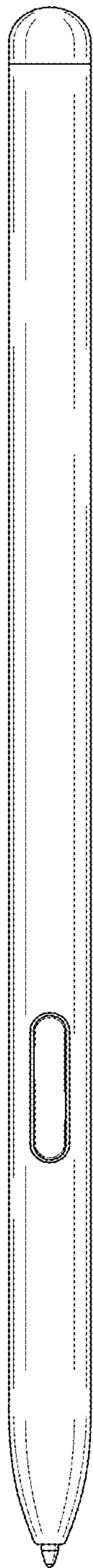


FIG. 3

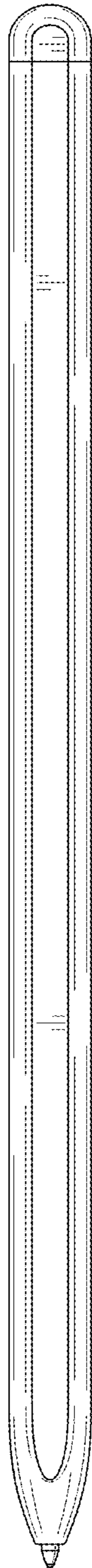


FIG. 4

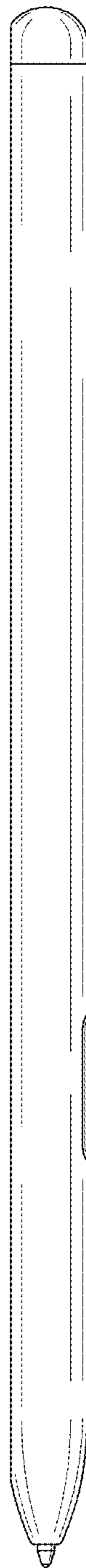


FIG. 5

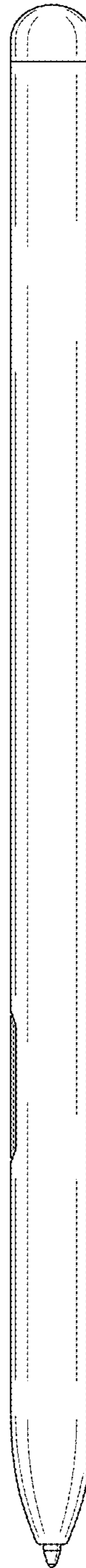


FIG. 6

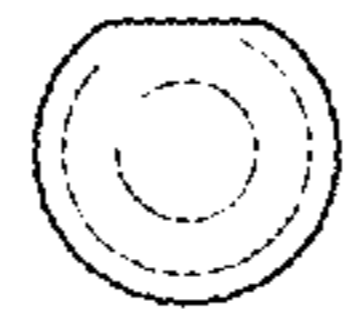


FIG. 7

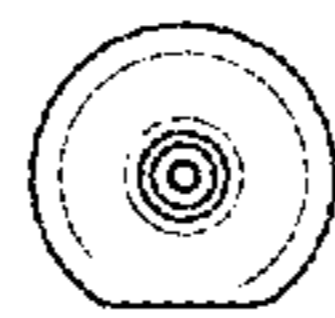


FIG. 8

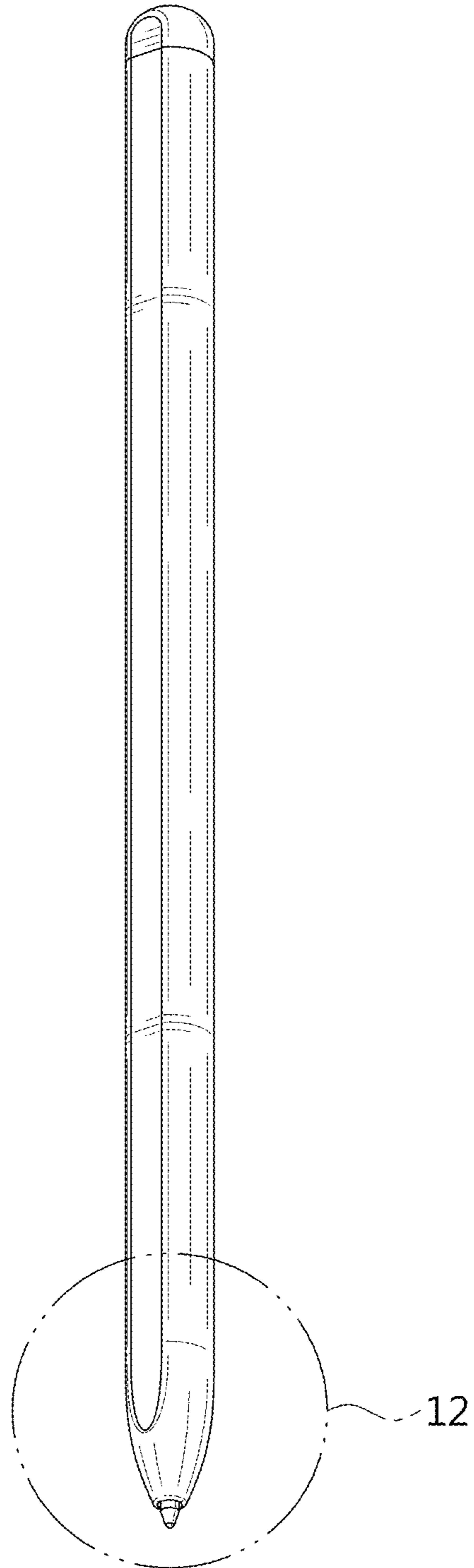


FIG. 9

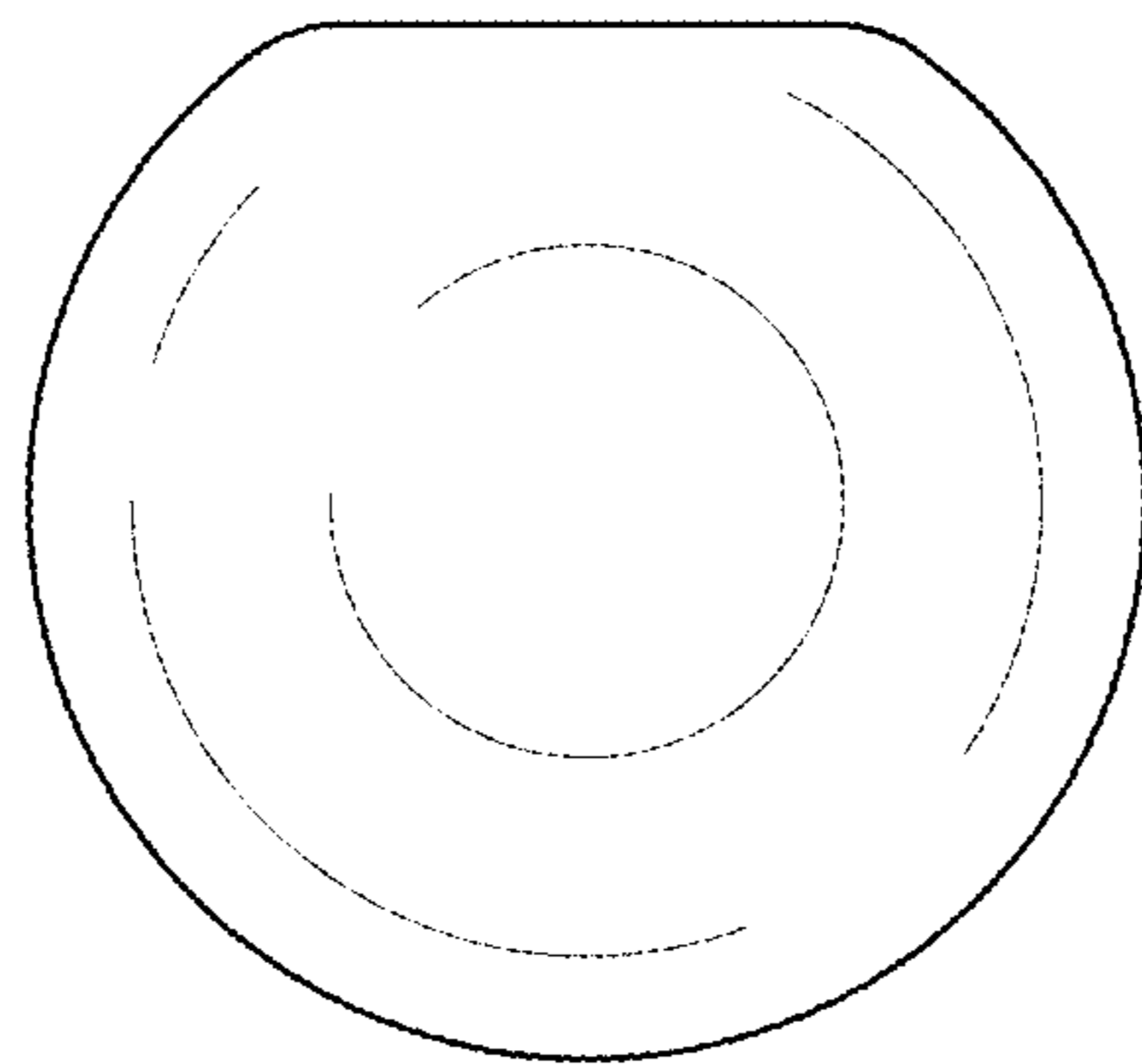


FIG. 10

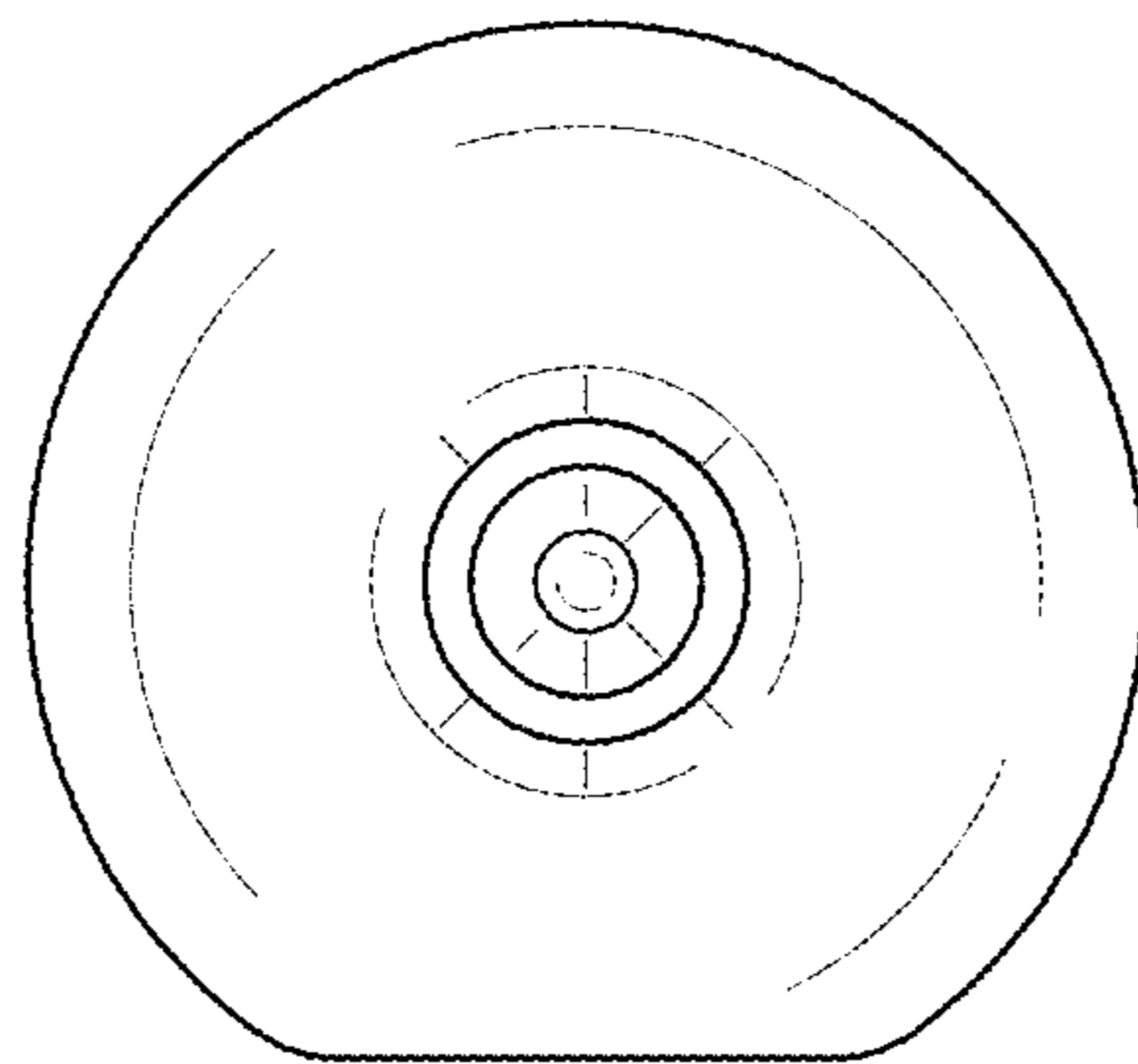


FIG. 11

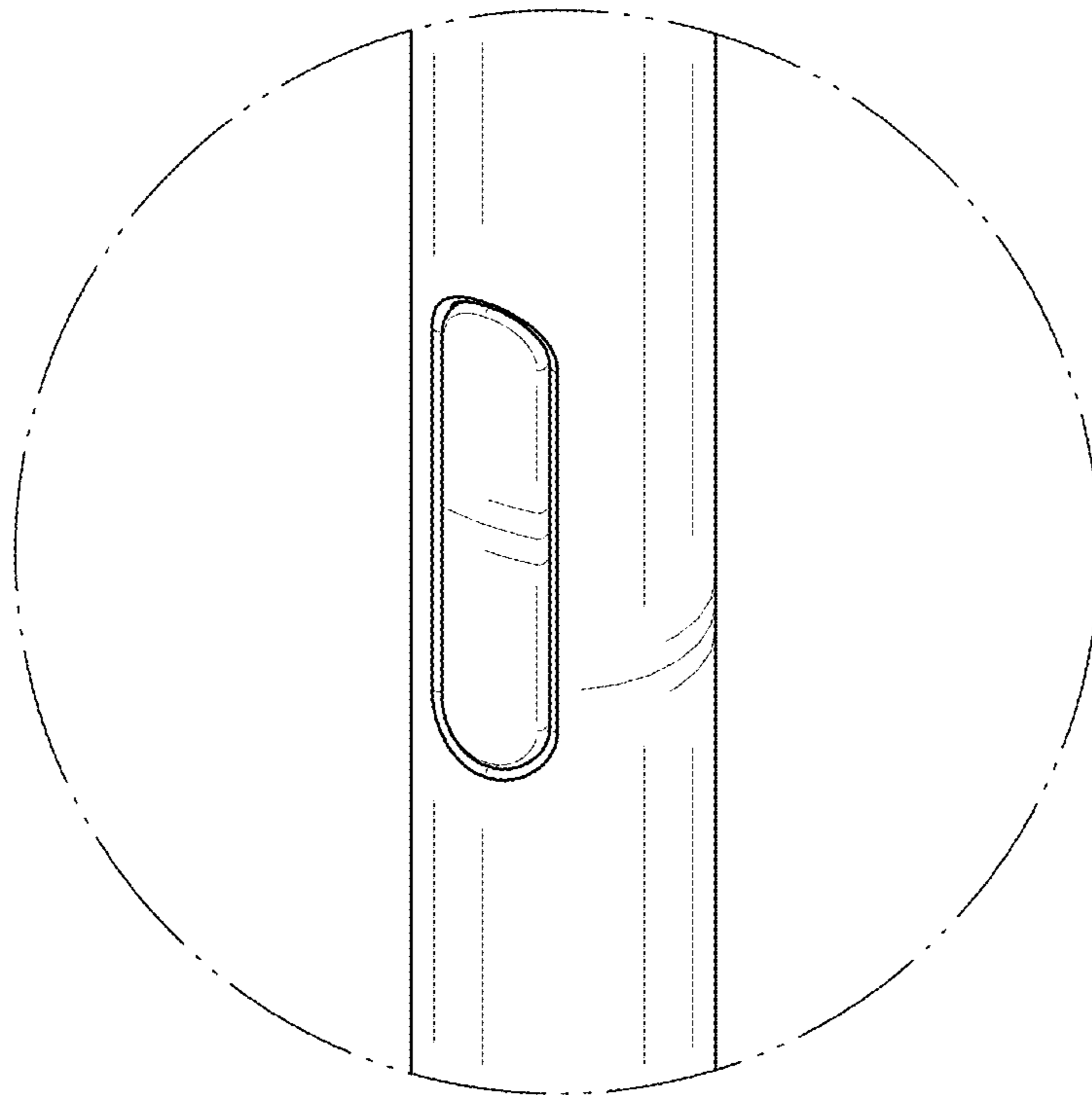


FIG. 12

