



US00D939499S

(12) **United States Design Patent** (10) **Patent No.:** **US D939,499 S**
Lin (45) **Date of Patent:** **** Dec. 28, 2021**

(54) **SMART WATCH**
(71) Applicant: **Shenzhen Qian Hai Woer Technology Limited.**, Guangdong (CN)
(72) Inventor: **Qi Lin**, Guangdong (CN)
(73) Assignee: **Shenzhen Qian Hai Woer Technology Limited.**, Shenzhen (CN)

D855,813 S * 8/2019 Hu D24/186
D862,459 S * 10/2019 Choplin D14/344
D862,462 S * 10/2019 Zhang D14/344
(Continued)

(**) Term: **15 Years**

FOREIGN PATENT DOCUMENTS

(21) Appl. No.: **29/755,683**

CN 202030629647.7 * 10/2020

(22) Filed: **Oct. 22, 2020**

(51) **LOC (13) Cl.** **14-02**

(52) **U.S. Cl.**
USPC **D14/344**

(58) **Field of Classification Search**
USPC D10/30-39, 65, 70, 98; D11/3, 5;
D14/344

CPC A61B 5/681; G04G 17/00; G04G 17/02;
G04G 17/08; G04G 21/08; A44C 5/0007;
A44C 5/0053; A44C 5/14; A44C 5/147
See application file for complete search history.

OTHER PUBLICATIONS

Tozo S1 Smartwatch | amazon.com; date first available Sep. 17, 2020 [online], © 1996-2021, Amazon.com, Inc [retrieved Jul. 22, 2021] from Internet: <<https://www.amazon.com/TOZO-Bluetooth-Waterproof-Touchscreen-Compatible/dp/B08J3MXNX6>> (Year: 2020).*

Primary Examiner — Katherine Glennon

(74) *Attorney, Agent, or Firm* — Wayne IP LLC

(57) **CLAIM**

The ornamental design for a smart watch, as shown and described.

DESCRIPTION

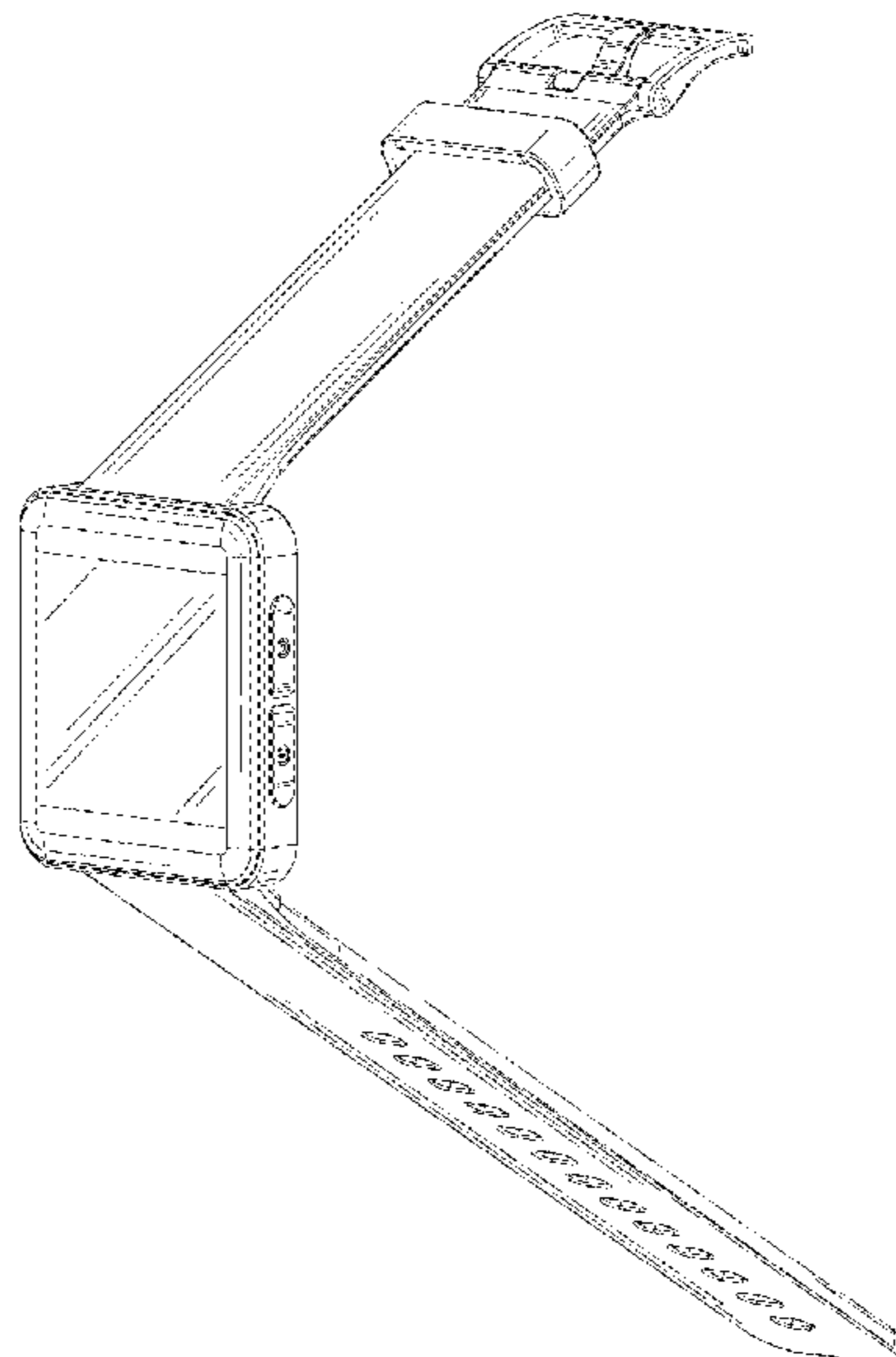
FIG. 1 is a perspective view of a smart watch showing our new design;
FIG. 2 is another perspective view thereof;
FIG. 3 is a front view thereof;
FIG. 4 is a back view thereof;
FIG. 5 is a left view thereof;
FIG. 6 is a right view thereof;
FIG. 7 is an enlarged top view thereof;
FIG. 8 is an enlarged bottom view thereof;
FIG. 9 is an enlarged view of the portion circled in FIG. 2;
FIG. 10 is an enlarged view of the portion circled in FIG. 4;
and,
FIG. 11 is a perspective view of the smart watch of FIG. 1, shown in a combined state.
The broken lines shown on the drawings depict portions of the smart watch that form no part of the claimed design.

(56) **References Cited**

U.S. PATENT DOCUMENTS

D549,116 S * 8/2007 Rhine D10/65
D744,356 S 12/2015 Akana et al.
D745,005 S * 12/2015 Kim D14/344
D751,550 S * 3/2016 Solomon D14/344
D763,107 S * 8/2016 Nielsen D10/70
D766,115 S * 9/2016 Ma D10/70
D775,543 S * 1/2017 Zah D11/3
D777,163 S 1/2017 Akana et al.
D784,346 S * 4/2017 Tao D14/439
D784,981 S * 4/2017 Park D14/344
D839,753 S * 2/2019 Domke D10/30
D843,864 S * 3/2019 Vandenbussche D10/70
D852,648 S * 7/2019 Chen D10/32

1 Claim, 11 Drawing Sheets



(56)

References Cited

U.S. PATENT DOCUMENTS

D866,350 S * 11/2019 Park D10/38
D867,179 S 11/2019 Akana et al.
D869,461 S * 12/2019 Ke D14/344
D869,462 S * 12/2019 Ke D14/344
D875,576 S 2/2020 Akana et al.
D881,185 S * 4/2020 He D14/344
D887,406 S * 6/2020 Mao D14/344
D889,459 S * 7/2020 Zhang D14/344
D893,323 S * 8/2020 Xiao D10/70
D900,808 S * 11/2020 Vandebussche D14/344
D900,810 S * 11/2020 Ke D14/344
D914,678 S * 3/2021 Zheng D14/344
D922,378 S * 6/2021 Lin D14/344
D923,003 S * 6/2021 Lin D14/344
2015/0370224 A1 * 12/2015 Emmert G04B 37/1486
224/164
2016/0344089 A1 * 11/2016 Baik G04G 21/08
2018/0053988 A1 * 2/2018 Lee G04G 17/04
2020/0073338 A1 * 3/2020 Liang G04G 21/08
2020/0096947 A1 * 3/2020 Thomas H01R 35/04
2020/0393797 A1 * 12/2020 Hu G04B 37/1486
2021/0059362 A1 * 3/2021 Xue A44B 11/2596

* cited by examiner

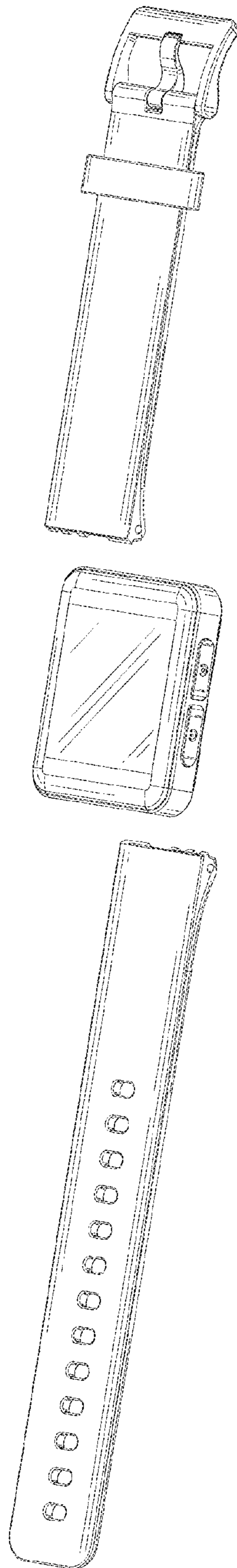


FIG. 1

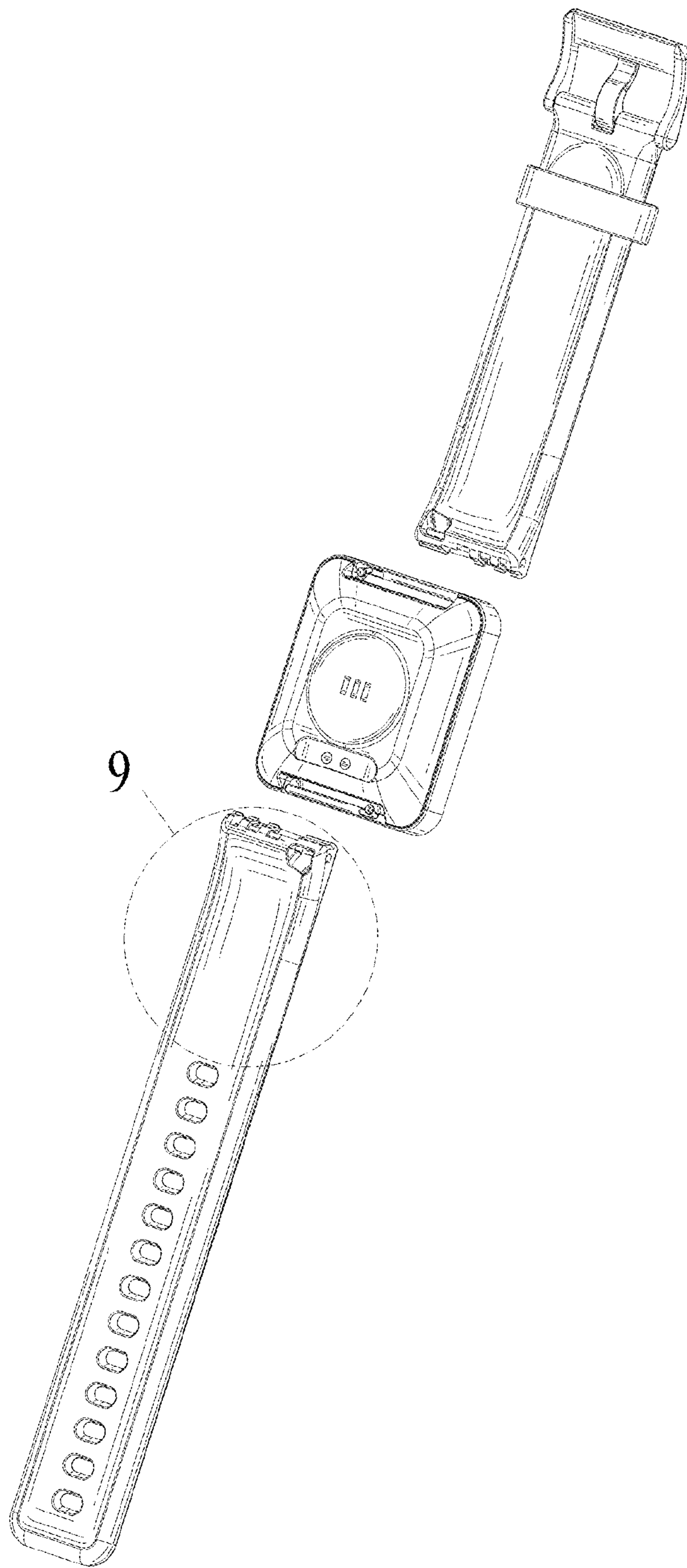


FIG. 2

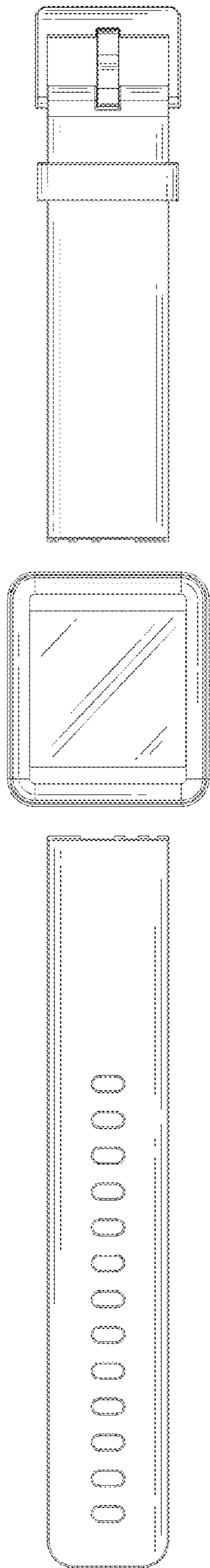


FIG. 3

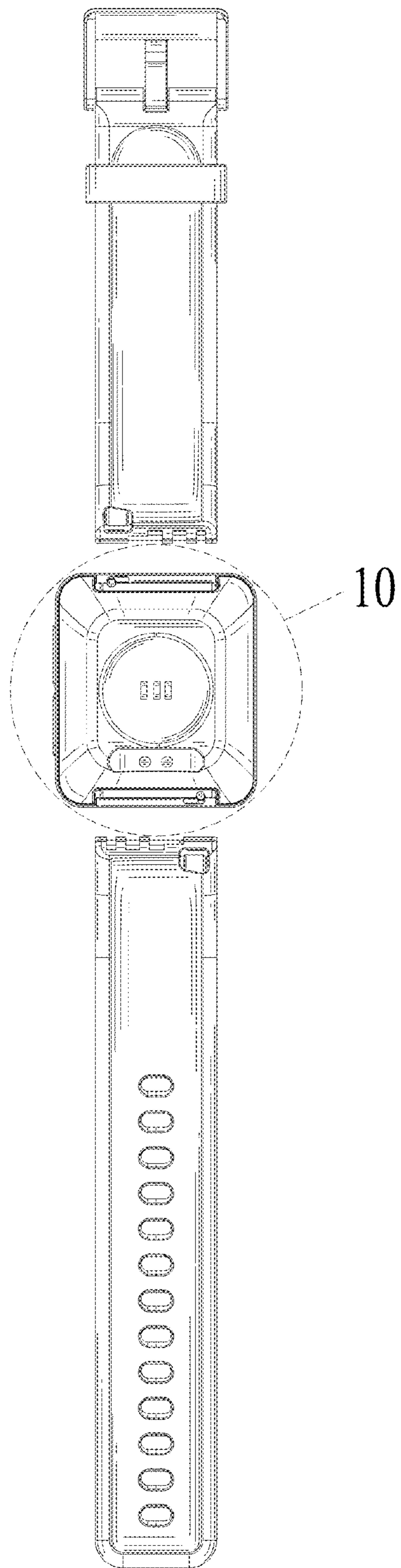


FIG. 4

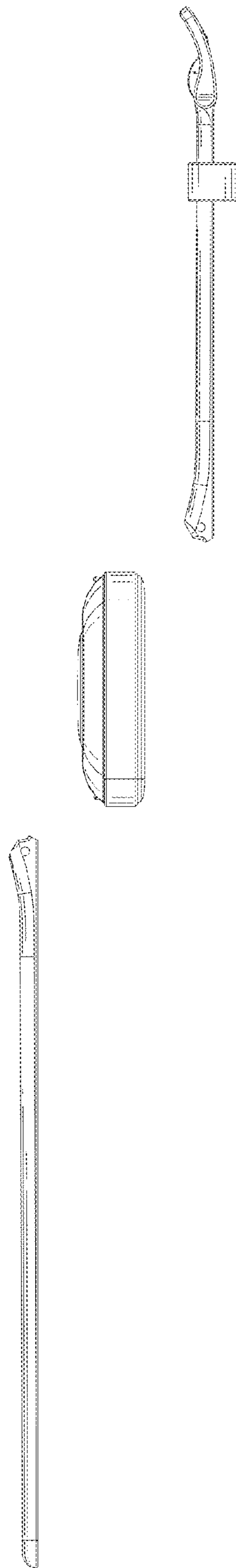


FIG. 5

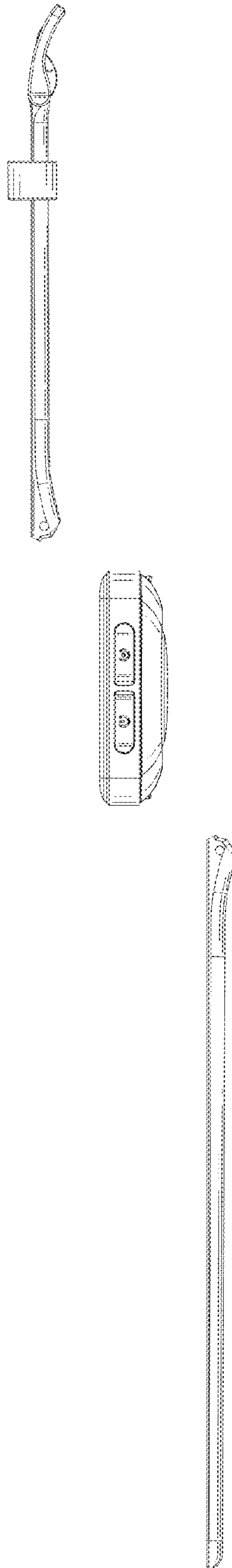


FIG. 6

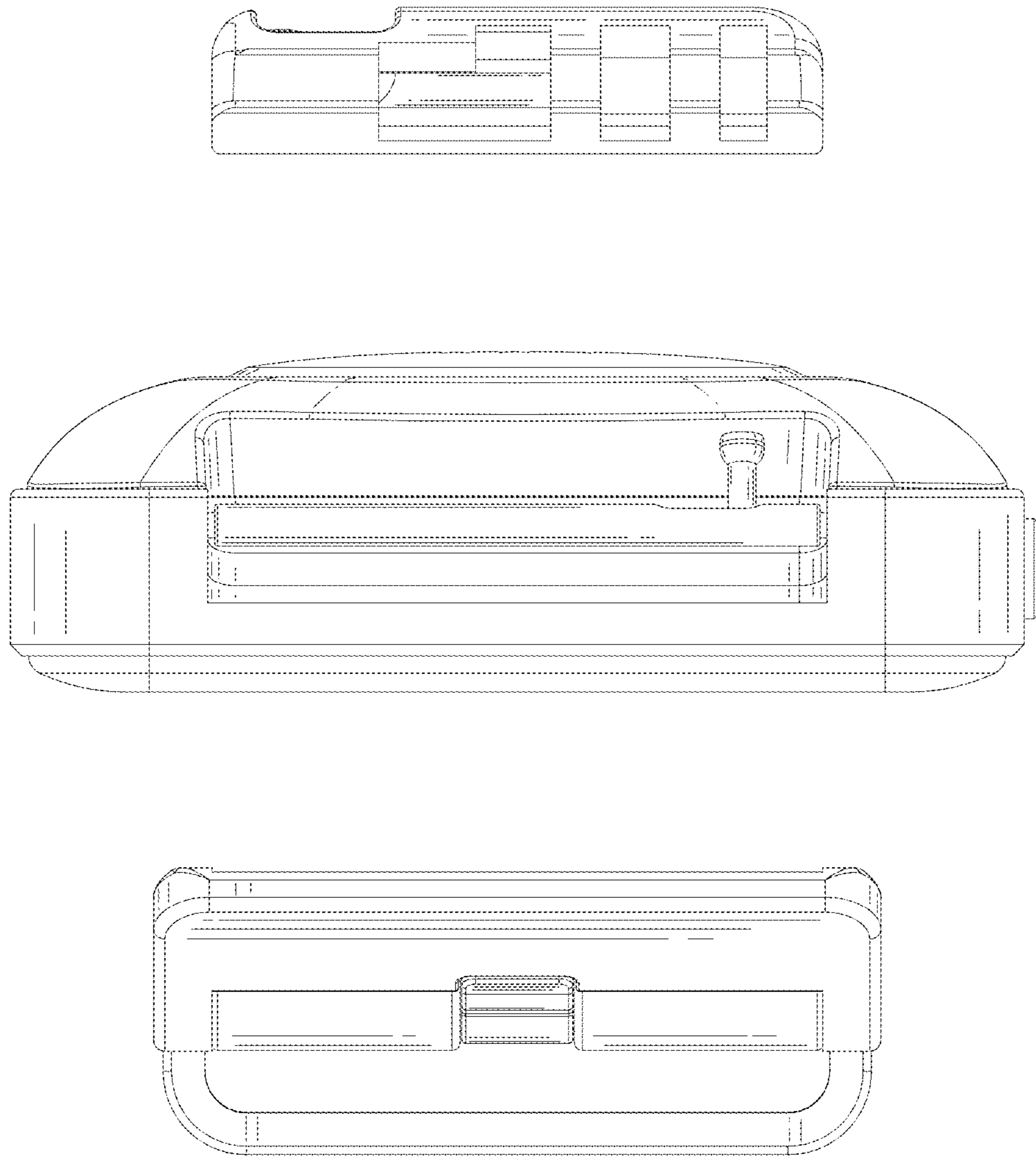


FIG. 7

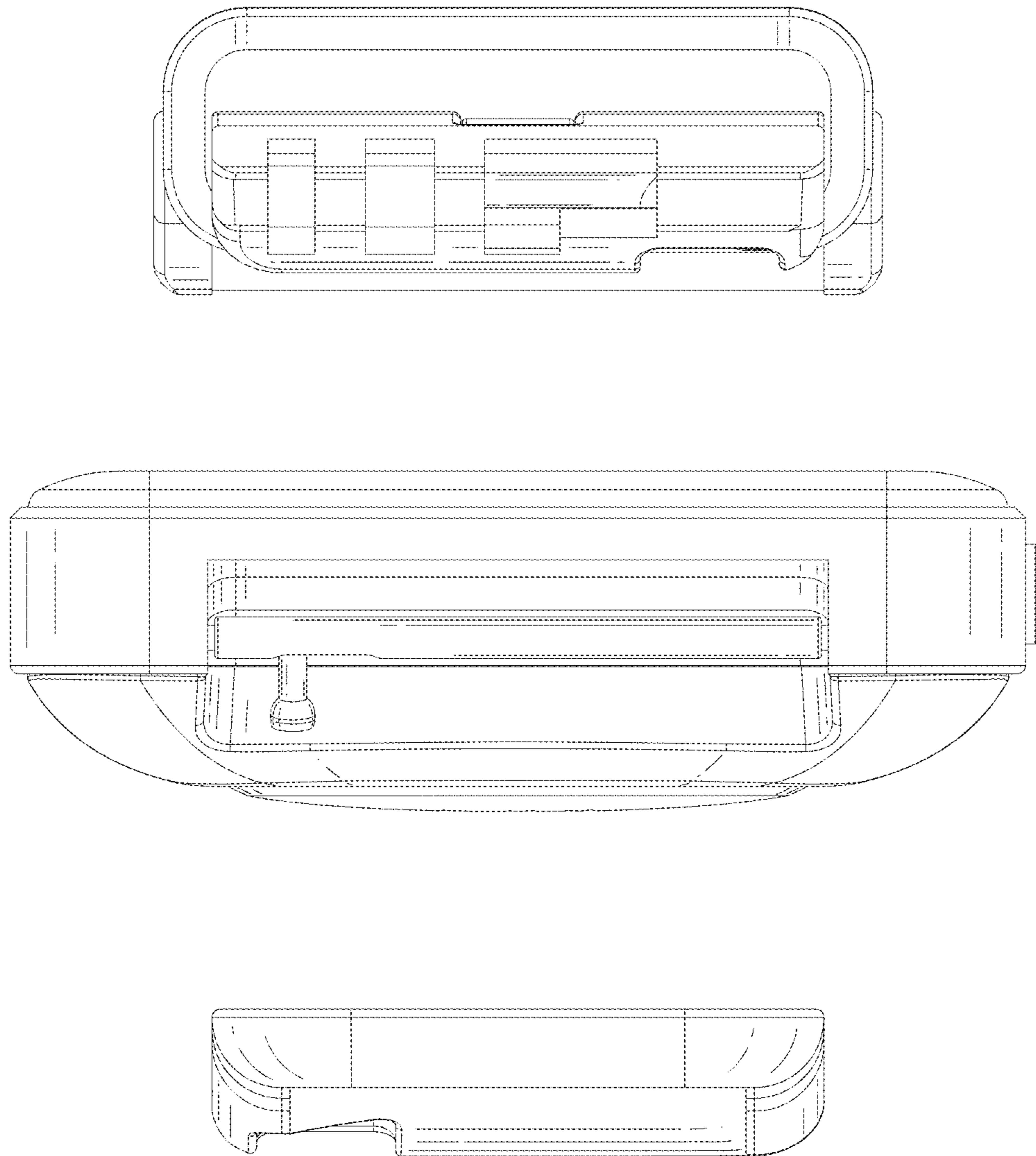


FIG. 8

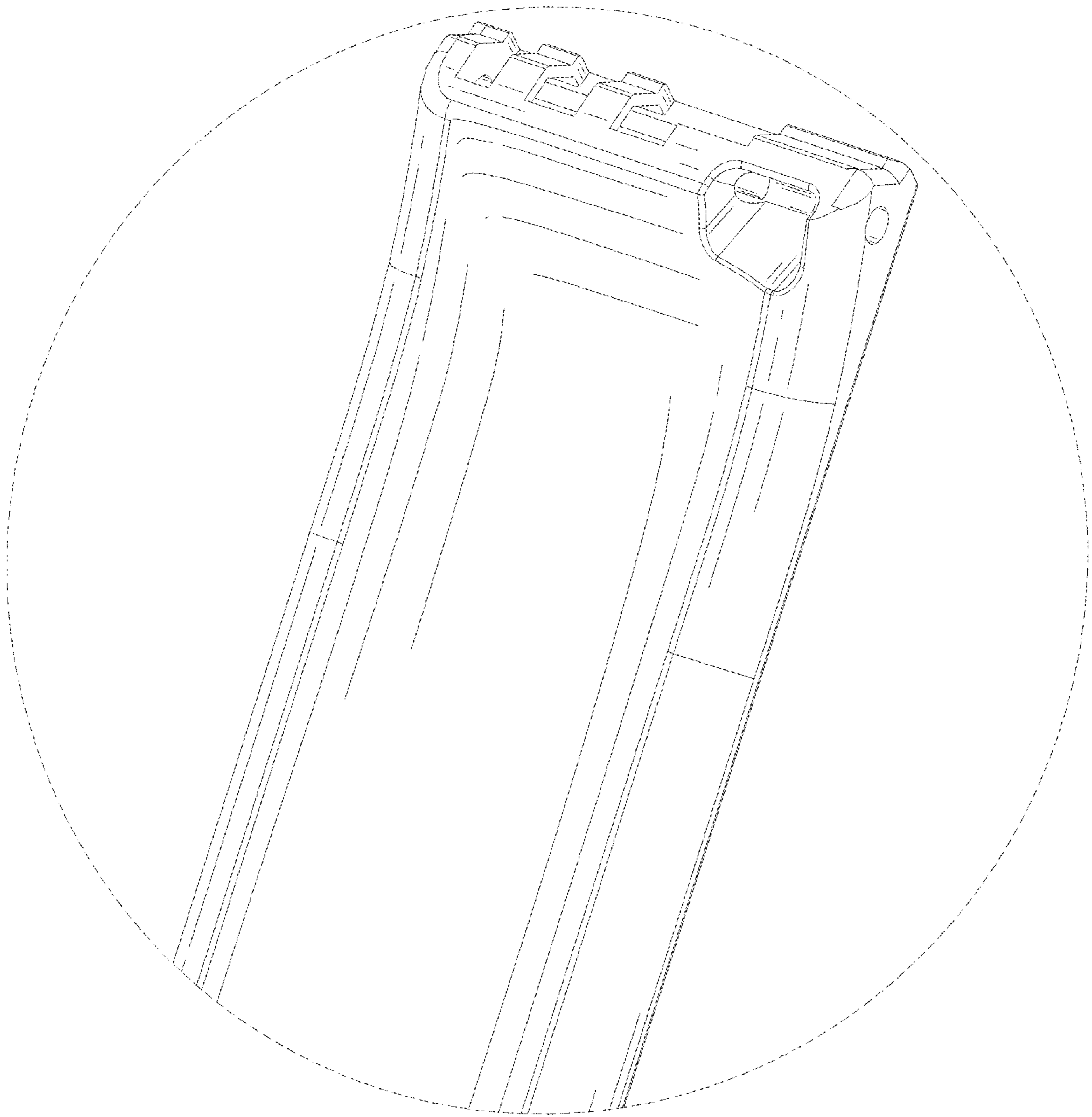


FIG. 9

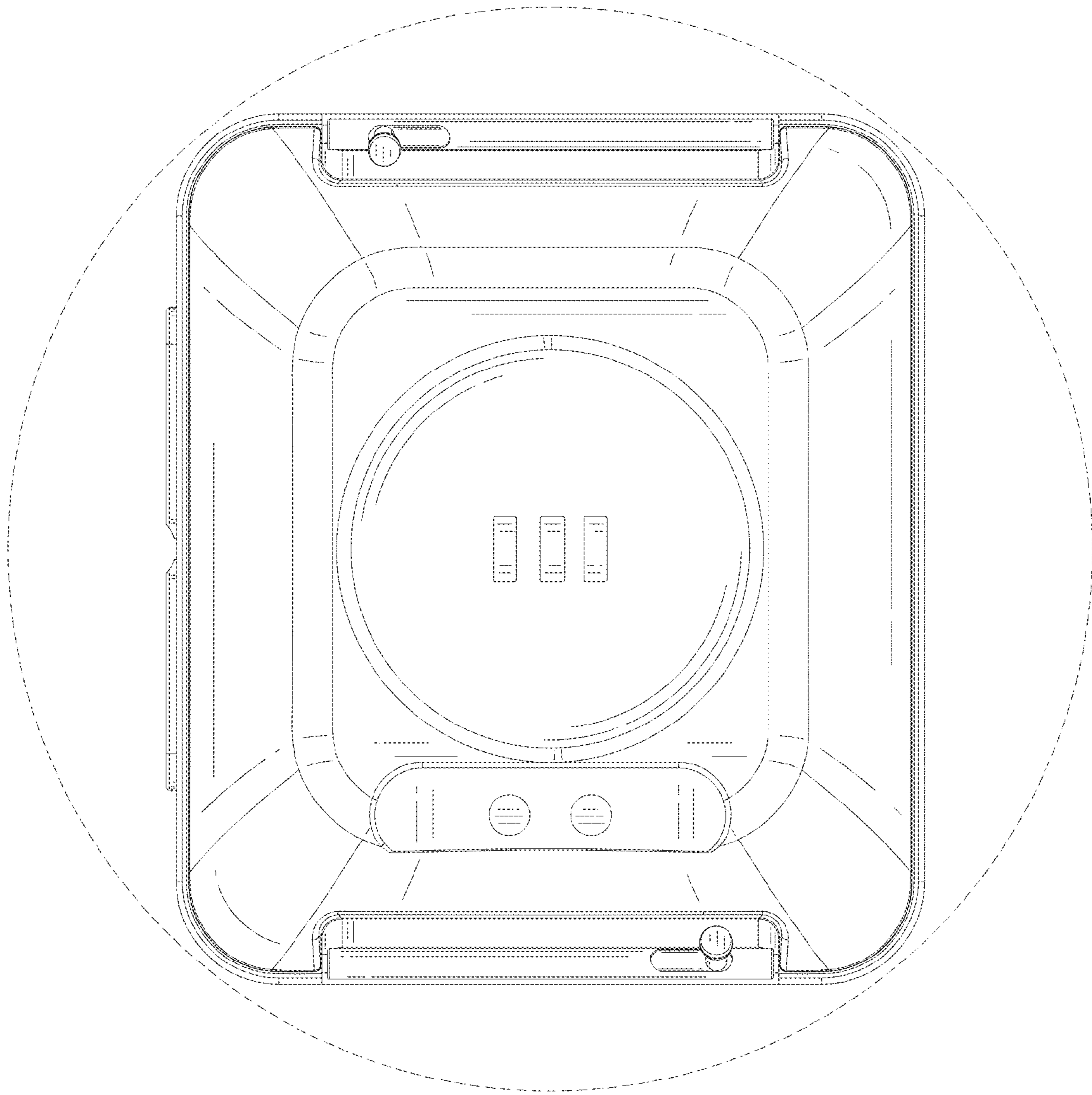


FIG. 10

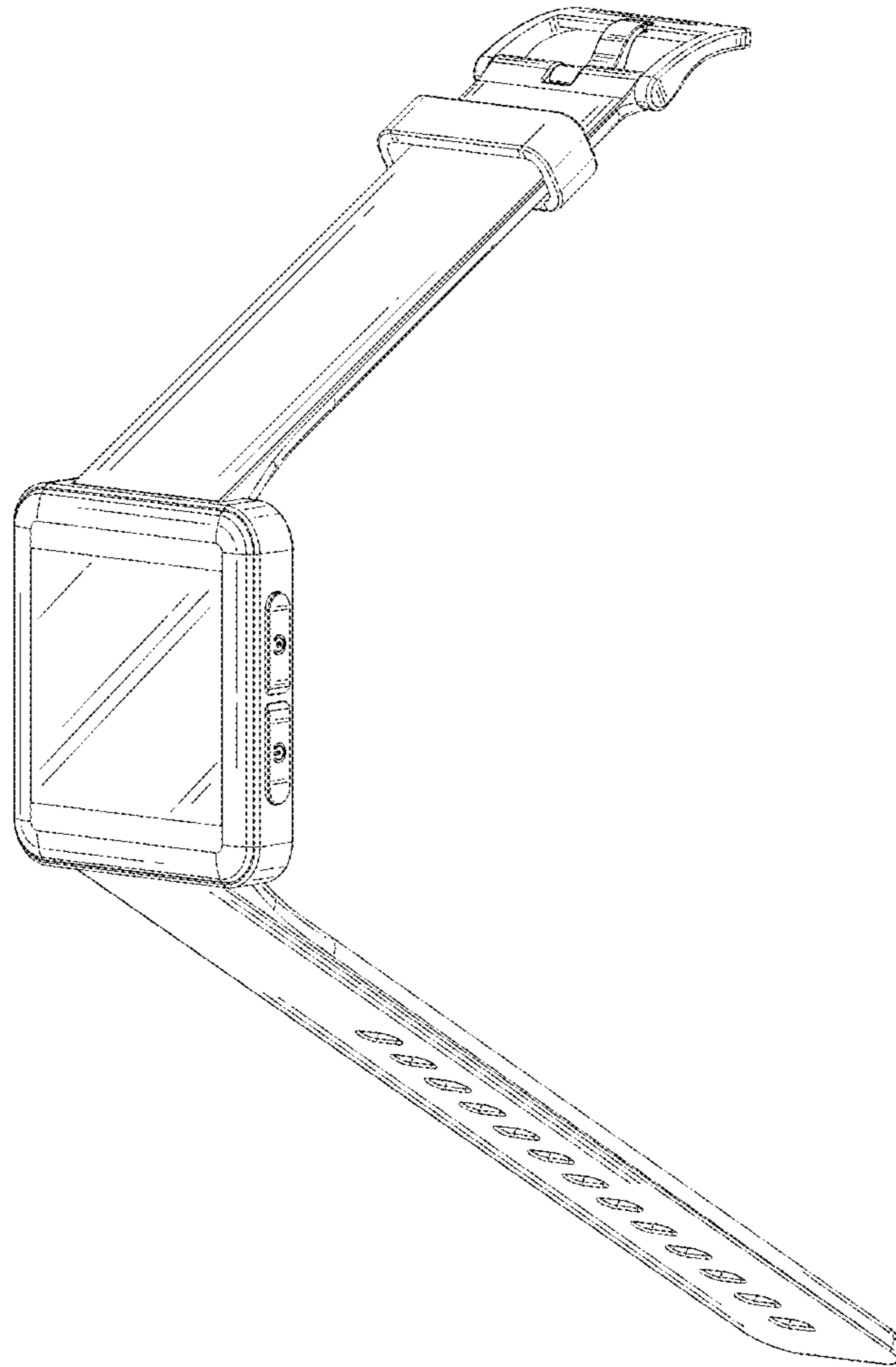


FIG. 11