



US00D939498S

(12) **United States Design Patent** (10) **Patent No.:** **US D939,498 S**  
**Akana et al.** (45) **Date of Patent:** **\*\* Dec. 28, 2021**

(54) **ELECTRONIC DEVICE**

(71) Applicant: **Apple Inc.**, Cupertino, CA (US)

(72) Inventors: **Jody Akana**, San Francisco, CA (US); **Molly Anderson**, San Francisco, CA (US); **Bartley K. Andre**, Palo Alto, CA (US); **Shota Aoyagi**, San Francisco, CA (US); **Anthony Michael Ashcroft**, San Francisco, CA (US); **Marine C. Bataille**, San Francisco, CA (US); **Jeremy Bataillou**, San Francisco, CA (US); **Abidur Chowdhury**, San Francisco, CA (US); **Markus Diebel**, San Francisco, CA (US); **Daniele De Iuliis**, San Francisco, CA (US); **M. Evans Hankey**, San Francisco, CA (US); **Julian Hoenig**, San Francisco, CA (US); **Richard P. Howarth**, San Francisco, CA (US); **Jonathan P. Ive**, San Francisco, CA (US); **Julian Jaede**, San Francisco, CA (US); **Duncan Robert Kerr**, San Francisco, CA (US); **Peter Russell-Clarke**, San Francisco, CA (US); **Benjamin Andrew Shaffer**, San Jose, CA (US); **Mikael Silvano**, San Francisco, CA (US); **Joe Sung-Ho Tan**, San Francisco, CA (US); **Clement Tissandier**, San Francisco, CA (US); **Eugene Antony Whang**, San Francisco, CA (US); **Rico Zörkendörfer**, San Francisco, CA (US)

(73) Assignee: **Apple Inc.**, Cupertino, CA (US)

(\*\*) Term: **15 Years**

(21) Appl. No.: **29/693,362**

(22) Filed: **Jun. 1, 2019**

(51) **LOC (13) Cl.** ..... **14-02**

(52) **U.S. Cl.**  
USPC ..... **D14/316**

(58) **Field of Classification Search**

USPC ..... D14/314, 316, 140.1, 140.2, 240, 242, D14/301-302, 308, 348-349, 351-359, (Continued)

(56) **References Cited**

U.S. PATENT DOCUMENTS

D532,011 S \* 11/2006 Andre ..... D14/375  
D541,799 S \* 5/2007 Andre ..... D14/375  
(Continued)

FOREIGN PATENT DOCUMENTS

EM 007329685-0001 \* 3/2010  
EM 007329685-0004 \* 3/2020  
(Continued)

OTHER PUBLICATIONS

Mac Pro 2019, Apple, techradar.com, published by Matt Swider on Apr. 1, 2020 © Future US., Inc., online, site visited Aug. 10, 2020. Available at URL: <https://www.techradar.com/news/mac-pro-2019-first-look> (Year: 2020).\*

(Continued)

*Primary Examiner* — Holly E Thurman  
*Assistant Examiner* — Altaira J Swangin  
(74) *Attorney, Agent, or Firm* — Saidman DesignLaw Group, LLC

(57) **CLAIM**

The ornamental design for an electronic device, as shown and described.

**DESCRIPTION**

FIG. 1 is a perspective view of an electronic device showing our new design;  
FIG. 2 is another perspective view thereof;  
FIG. 3 is a front view thereof;  
FIG. 4 is a rear view thereof;  
FIG. 5 is a right side view thereof;  
FIG. 6 is a left side view thereof;

(Continued)

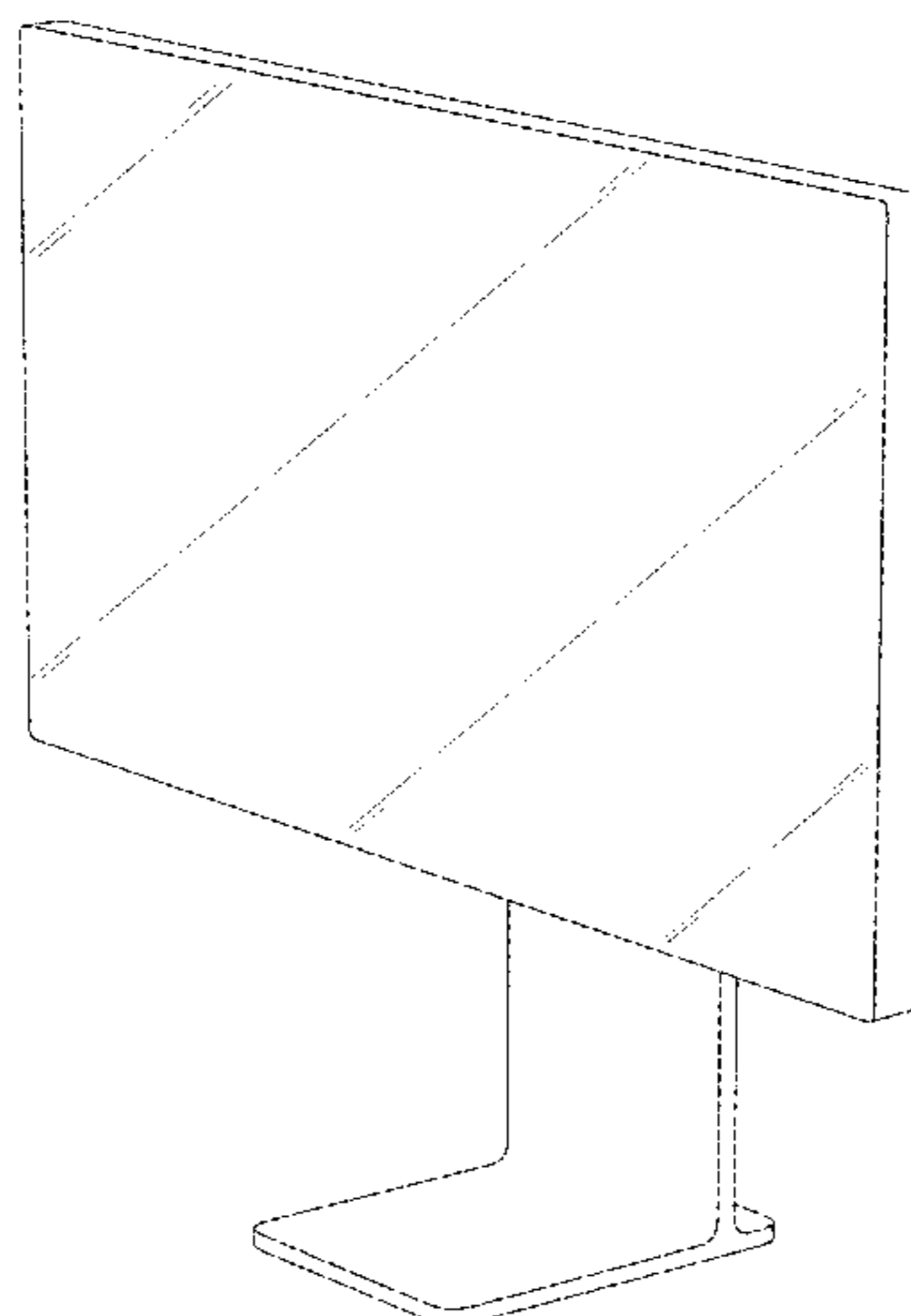


FIG. 7 is a top view thereof; and,  
 FIG. 8 is a bottomview thereof.  
 The dashed broken lines illustrate structure or features which form no part of the claimed design.  
 The oblique shade lines illustrate a reflective or glossy surface.

**1 Claim, 6 Drawing Sheets**

(58) **Field of Classification Search**

USPC ..... D14/440-441, 444, 446, 447; D23/335, D23/364-365, 382, 400; D13/162, 184; 206/706-707, 721-725; 211/134, 182; D6/317, 654.11, 654.18; D34/23; D18/12.3  
 CPC ..... H05K 5/00; H05K 5/0213; H05K 5/03; H05K 7/14; H05K 9/00; H05K 7/1487; H05K 7/1489; H05K 9/0062; H05K 7/16  
 See application file for complete search history.

(56) **References Cited**

U.S. PATENT DOCUMENTS

D600,696	S	*	9/2009	Andre	.....	D14/371
D609,705	S	*	2/2010	Andre	.....	D14/374
D621,830	S	*	8/2010	Andre	.....	D14/336
D638,013	S	*	5/2011	Andre	.....	D14/374
7,965,498	B2	*	6/2011	Gotham	.....	G06F 1/1607 361/679.21
D661,305	S	*	6/2012	Andre	.....	D14/374
D677,257	S	*	3/2013	Andre	.....	D14/374
D684,572	S	*	6/2013	Akana	.....	D14/374
D691,606	S	*	10/2013	Andre	.....	D14/374
D694,250	S	*	11/2013	Andre	.....	D14/448
D710,356	S	*	8/2014	Akana	.....	D14/374
D712,397	S	*	9/2014	Akana	.....	D14/336
9,170,444	B2	*	10/2015	Dai	.....	G02F 1/1333
D791,763	S	*	7/2017	Akana	.....	D14/336

D791,861	S	*	7/2017	Battle	.....	D18/4.5
D797,705	S	*	9/2017	Zheng	.....	D14/217
D831,107	S	*	10/2018	Chen	.....	D18/12
10,976,772	B2	*	4/2021	Gotham	.....	G06F 1/1607
2006/0237599	A1	*	10/2006	Ternus	.....	F16M 13/022 248/176.1
2016/0029797	A1	*	2/2016	King	.....	G06F 1/1601 361/679.6
2020/0099174	A1	*	3/2020	Andre	.....	H01R 13/6592
2020/0099184	A1	*	3/2020	Bose	.....	H01R 13/6597
2020/0100387	A1	*	3/2020	Howarth	.....	H05K 7/20409
2020/0245497	A1	*	7/2020	Howarth	.....	H05K 7/20127
2021/0200266	A1	*	7/2021	Franke	.....	G06F 1/1607
2021/0208623	A1	*	7/2021	Su	.....	F16M 11/2092
2021/0227710	A1	*	7/2021	Wu	.....	F16M 11/046

FOREIGN PATENT DOCUMENTS

EM	007329685-0009	*	3/2020
IN	323759-001-0001	*	8/2020
KR	300704699.0000	*	8/2013
RU	00120440	*	7/2020

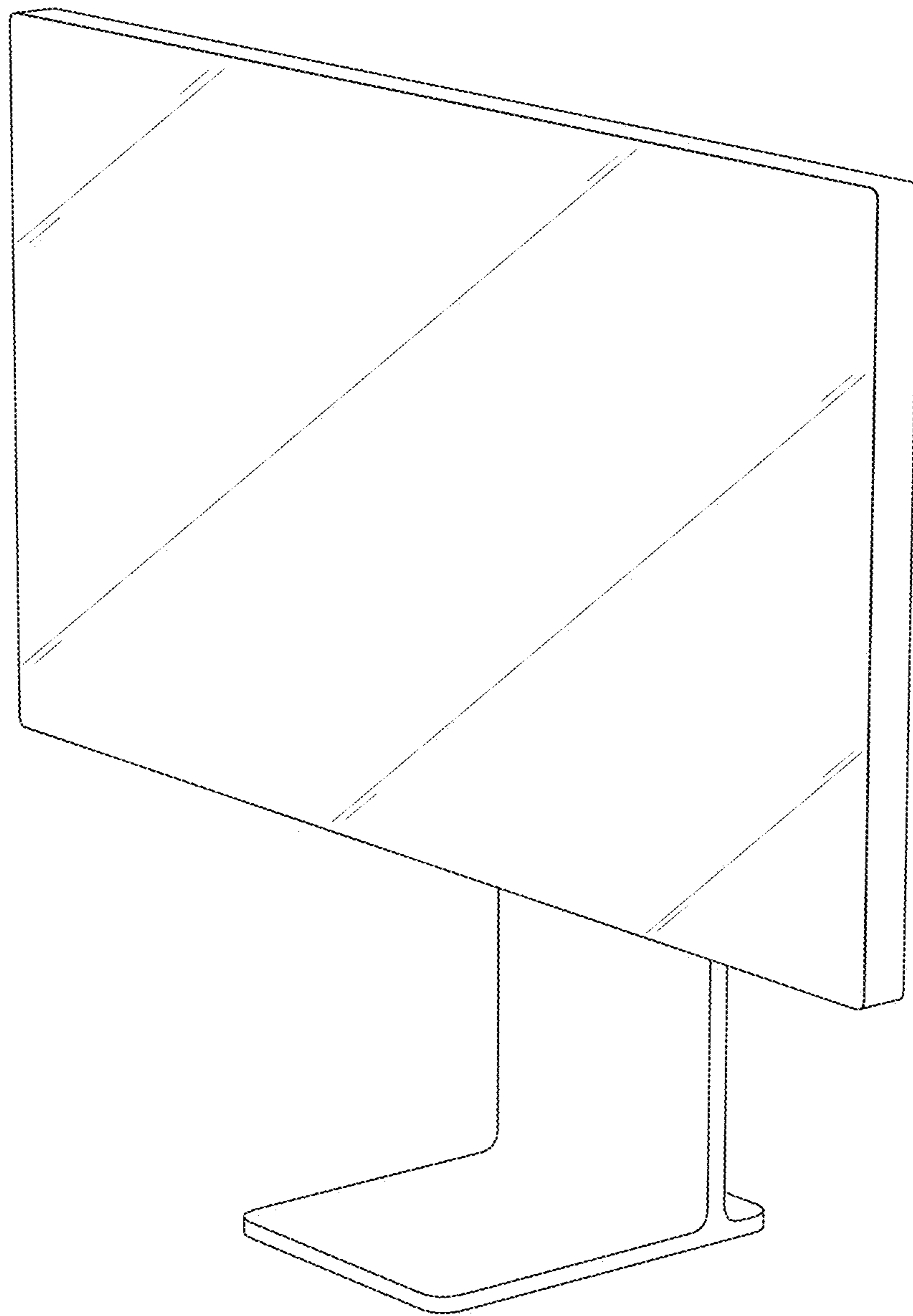
OTHER PUBLICATIONS

Touchscreen AIO PC, Vizio, chiploco.com, published by Afaq Shahid on Oct. 16, 2012 © 2016 ChipLoco, online, site visited Aug. 10, 2020. Available at URL: <https://www.chiploco.com/vizio-announces-touchscreen-aio-pc-lineup-designed-for-windows-8-17291/> (Year: 2012).\*

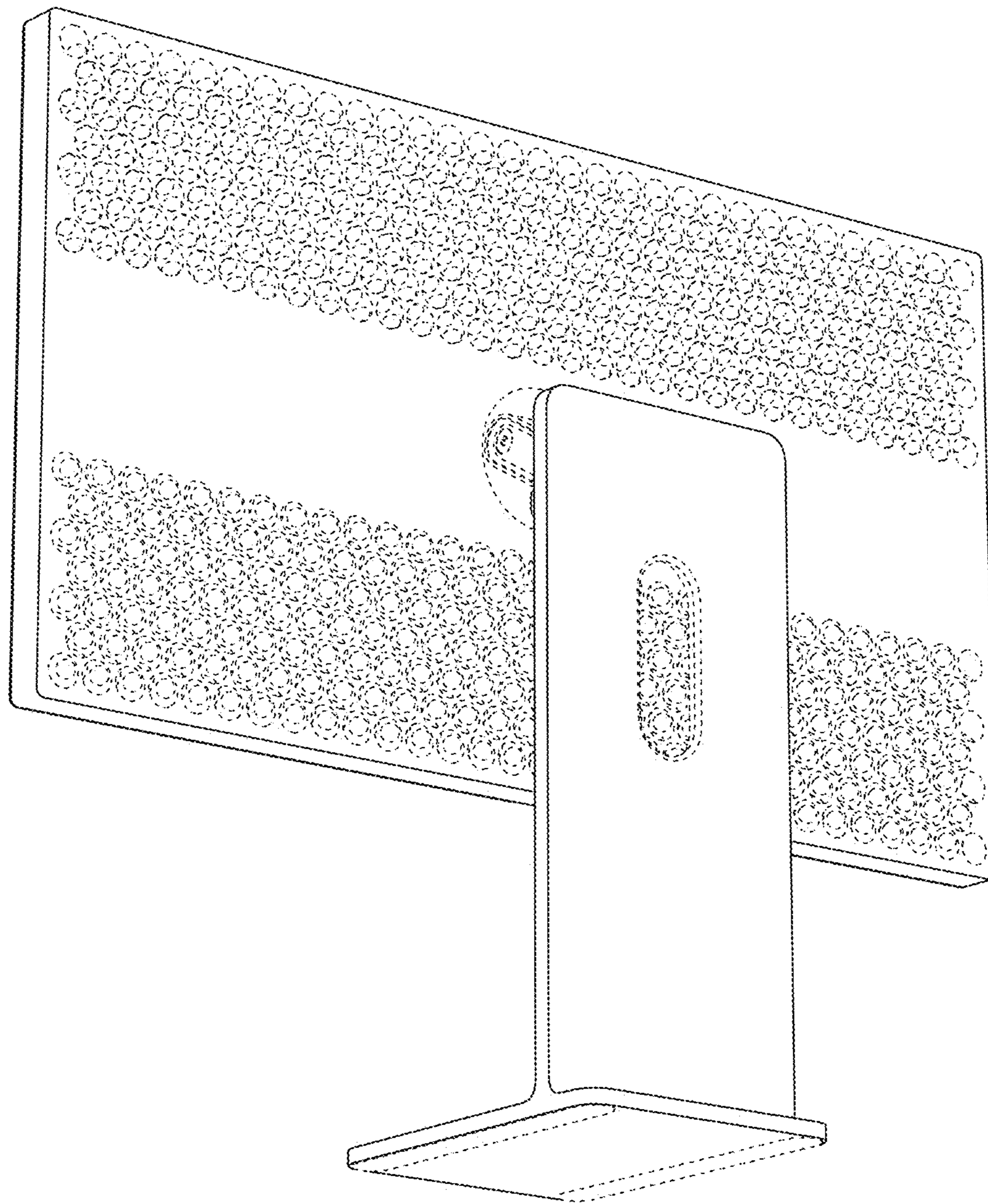
Thunderbolt Display, Apple, esm-computer.de, author unlisted, published on Oct. 11, 2018 © 2018 ESM-Computer GmbH, online, site visited Aug. 10, 2020. Available at URL: <https://www.esm-computer.de/magazin/produktvorstellungen/review-apple-thunderbolt-display-27/> (Year: 2018).\*

HTD-1 Hologram Display Computer, Number One, fubiz.net, published by Donnia on Jun. 10, 2015 © 2005-2021 Fubiz Media, online, site visited Feb. 23, 2020. Available at URL: <http://www.fubiz.net/en/2015/06/10/a-disappearing-transparent-computer-screen-when-its-not-used-2/> (Year: 2015).\*

\* cited by examiner



*Fig. 1*



**Fig. 2**

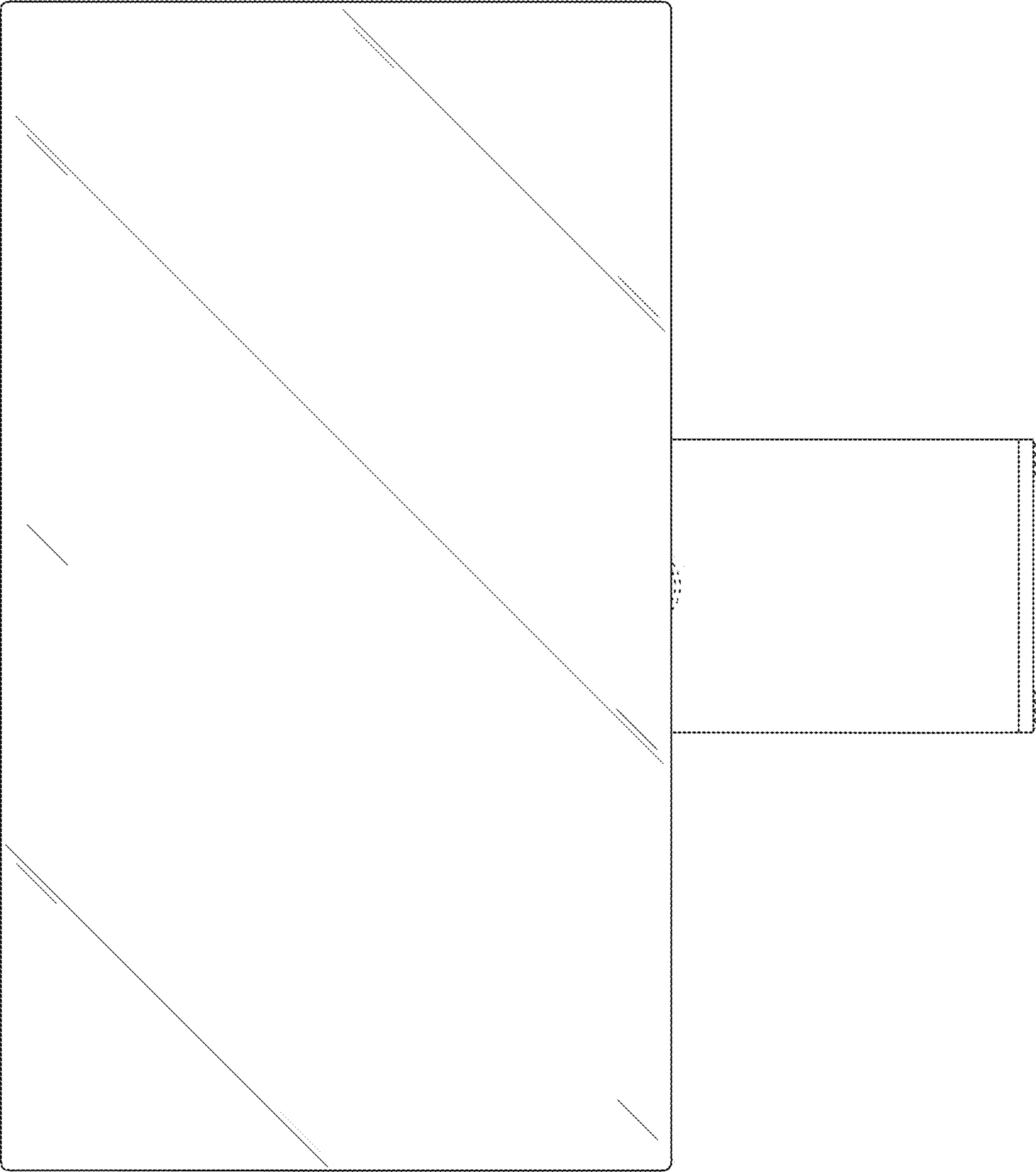
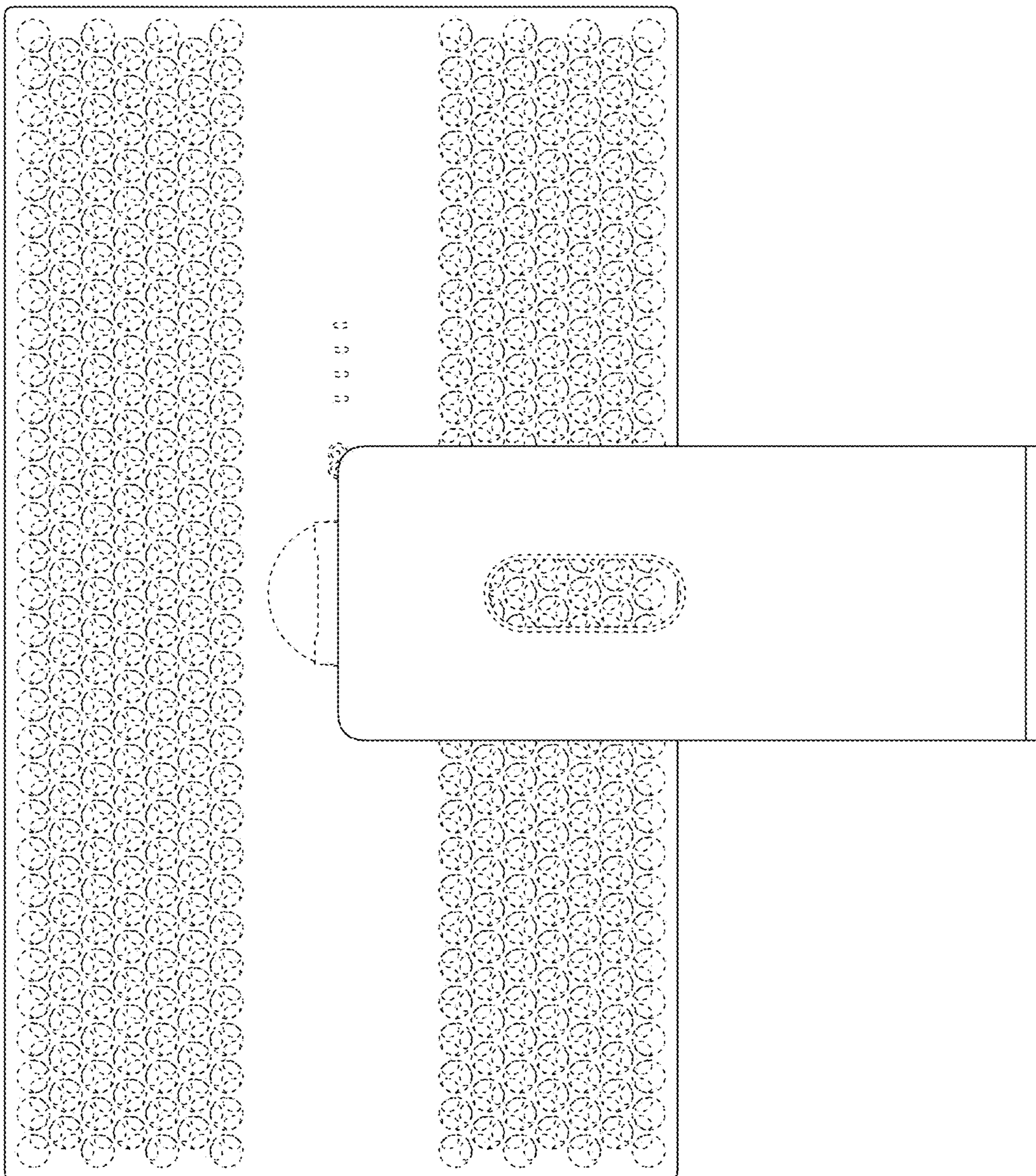
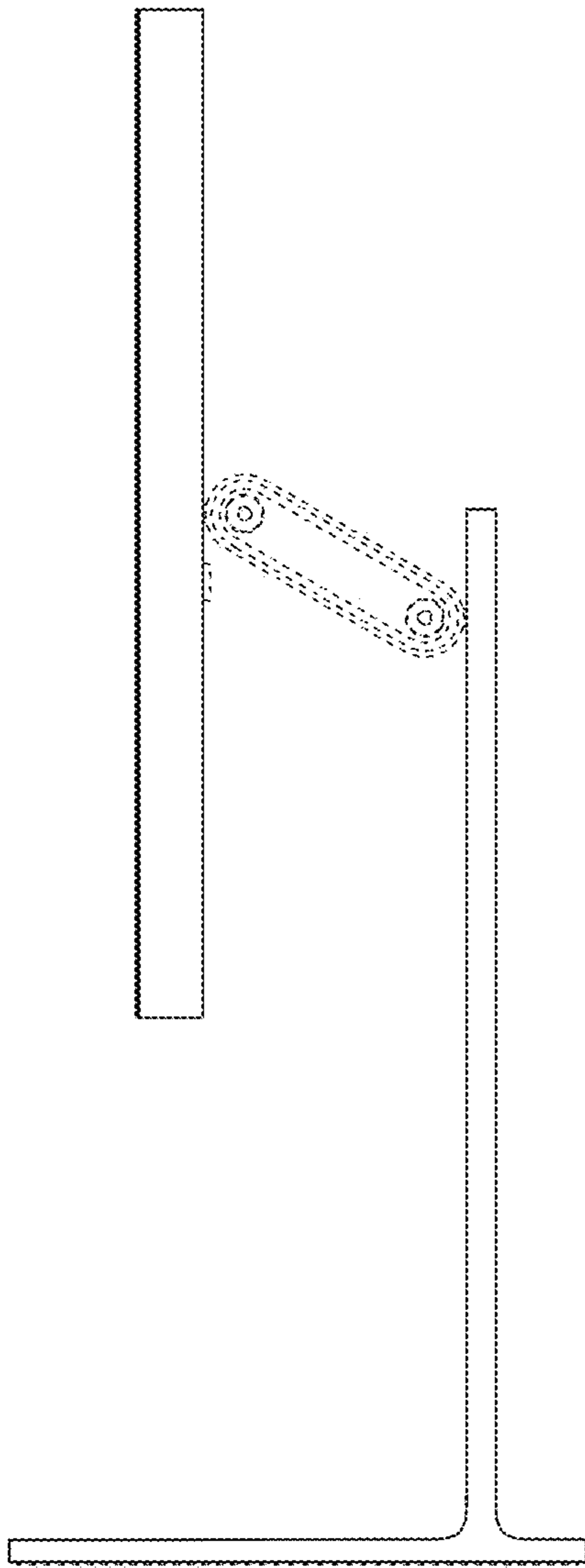


Fig. 3

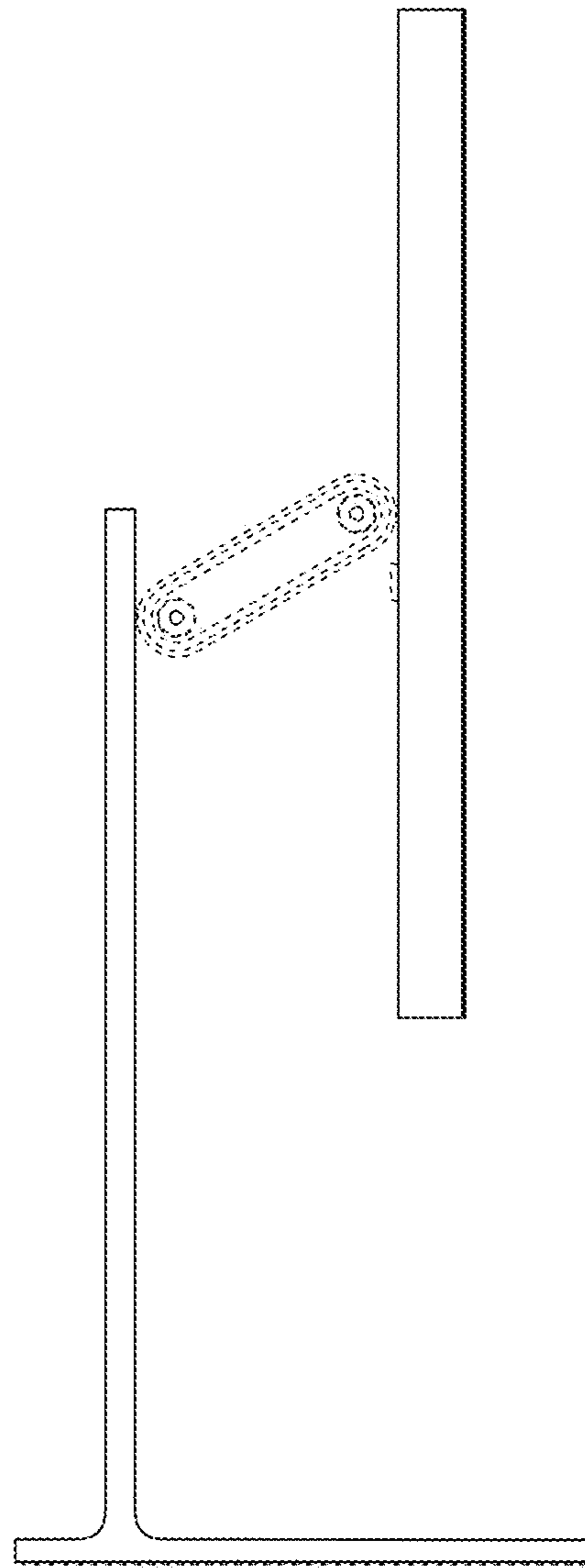


U S U S

Fig. 4



*Fig. 5*



*Fig. 6*

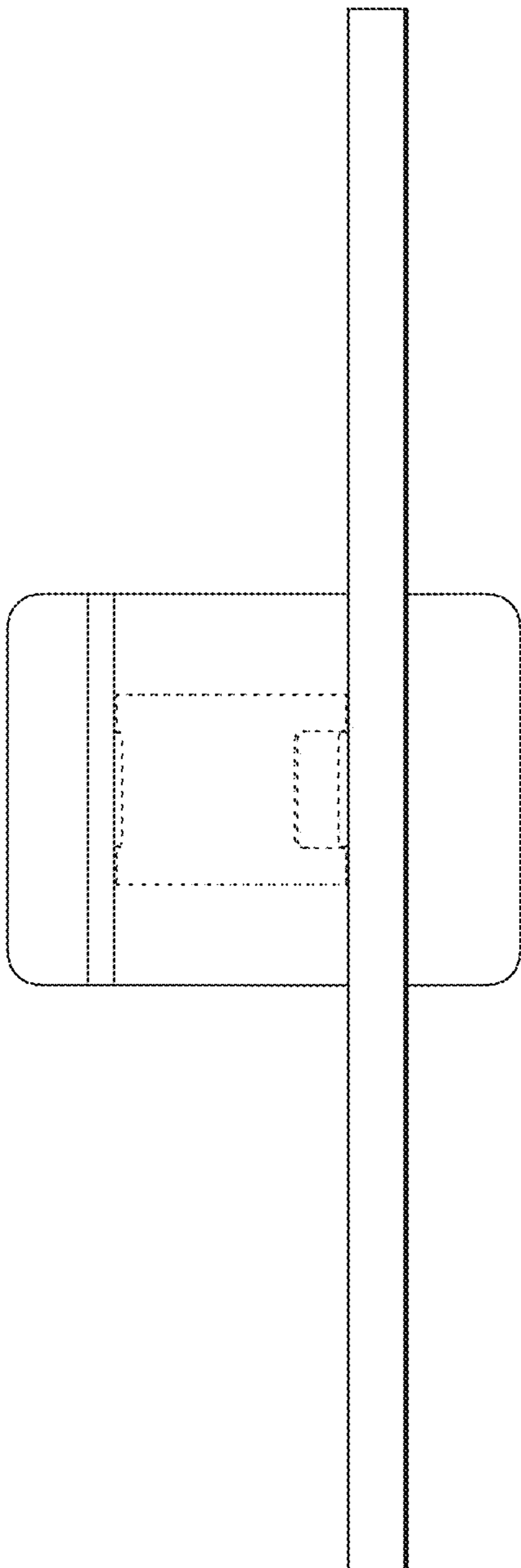


Fig. 7

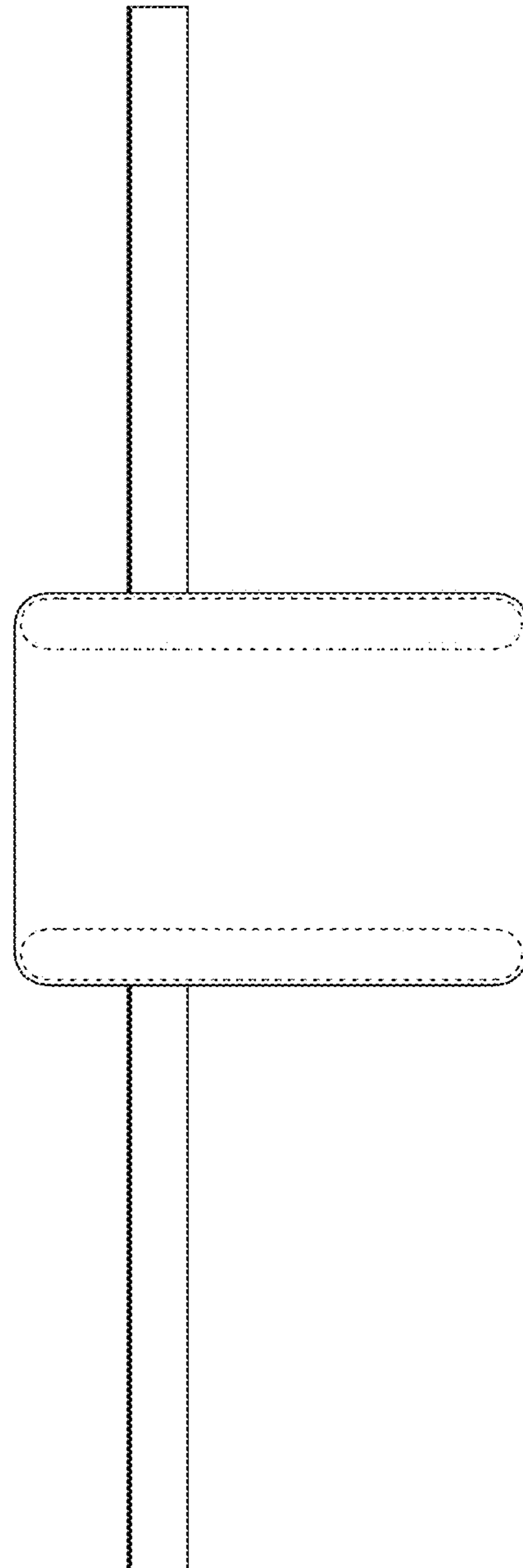


Fig. 8



UNITED STATES PATENT AND TRADEMARK OFFICE  
**CERTIFICATE OF CORRECTION**

PATENT NO. : D939,498 S  
APPLICATION NO. : 29/693362  
DATED : December 28, 2021  
INVENTOR(S) : Jody Akana et al.

Page 1 of 1

It is certified that error appears in the above-identified patent and that said Letters Patent is hereby corrected as shown below:

On the Title Page

Item (57) DESCRIPTION, Page 2, Column 1, Line 2:

FIG. 8 is a bottomview thereof.

Should read:

--FIG. 8 is a bottom view thereof.--

Signed and Sealed this  
Twenty-second Day of February, 2022



Drew Hirshfeld  
*Performing the Functions and Duties of the  
Under Secretary of Commerce for Intellectual Property and  
Director of the United States Patent and Trademark Office*