



US00D939497S

(12) **United States Design Patent**
Huang et al.

(10) **Patent No.:** **US D939,497 S**
(45) **Date of Patent:** **** Dec. 28, 2021**

(54) **COMPUTER CASE**

D368,429 S * 4/1996 Serio, Jr. D13/184
D411,185 S * 6/1999 Isshiki D14/358
D469,759 S * 2/2003 Friend D14/308

(71) Applicant: **ADATA TECHNOLOGY CO., LTD.**,
New Taipei (TW)

(Continued)

(72) Inventors: **Chih-Chun Huang**, Taipei (TW);
Shun-Wen Chan, Taipei (TW)

FOREIGN PATENT DOCUMENTS

(73) Assignee: **ADATA TECHNOLOGY CO., LTD.**,
New Taipei (TW)

CN 305260628 * 7/2019
CN 305504335 * 12/2019

(Continued)

(**) Term: **15 Years**

OTHER PUBLICATIONS

(21) Appl. No.: **29/698,841**

XPG Battle Cruiser, Adata, xpg.com, author and date not listed ©
2020 ADATA Technology Co., Ltd., online, site visited Sep. 4, 2020.
Available at URL: <https://www.xpg.com/en/feature/640/> (Year: 2020).*

(22) Filed: **Jul. 19, 2019**

(30) **Foreign Application Priority Data**

May 24, 2019 (TW) 108303045

(51) **LOC (13) Cl.** **14-02**

(52) **U.S. Cl.**
USPC **D14/314**

(58) **Field of Classification Search**
USPC D14/140.1, 140.2, 240, 242, 301–302,
D14/308, 348–349, 351–359, 440–441,
D14/444–446, 314; D9/424, 430,
D9/432–433; 206/706–709, 722–725;
D13/103, 110–112, 122, 158–160, 184;
D23/364–365, 270; 361/679.01, 679.02,
361/679.21
CPC .. G06F 1/18; G06F 1/181; G06F 1/20; H05K
5/00; H05K 5/03; H05K 5/04; H05K
5/0213

See application file for complete search history.

(56) **References Cited**

U.S. PATENT DOCUMENTS

D298,135 S * 10/1988 Hall D14/349
D314,174 S * 1/1991 Wong D13/110
D315,551 S * 3/1991 Aderman D14/349
D339,632 S * 9/1993 Immel D23/351

Primary Examiner — Sandra Snapp

Assistant Examiner — Altaira J Swangin

(74) *Attorney, Agent, or Firm* — Li & Cai Intellectual
Property (USA) Office

(57) **CLAIM**

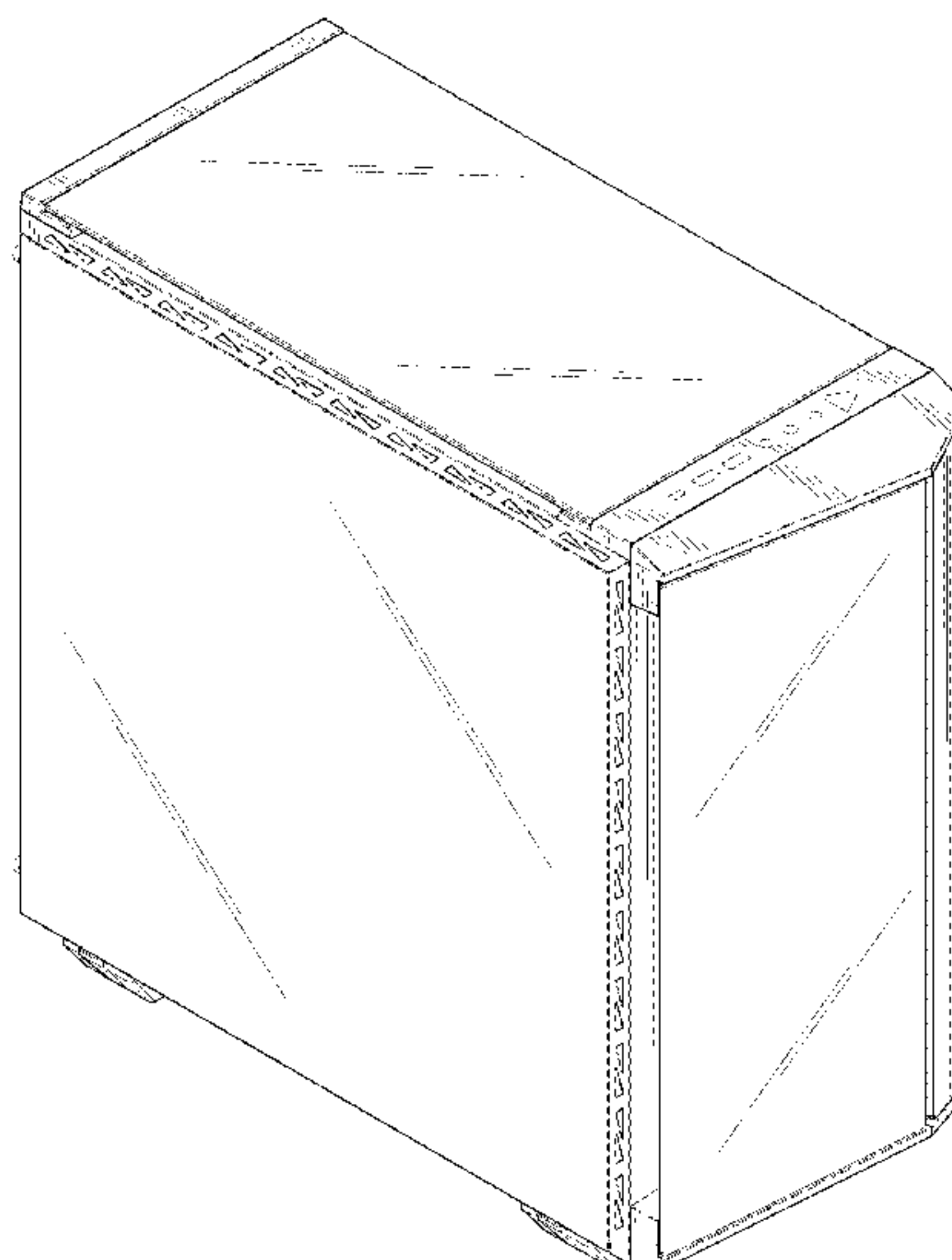
The ornamental design for a computer case, as shown and
described.

DESCRIPTION

FIG. 1 is a front perspective view of a computer case
showing our new design;
FIG. 2 is a front elevational view thereof;
FIG. 3 is a rear elevational view thereof;
FIG. 4 is a left side elevational view thereof;
FIG. 5 is a right side elevational view thereof;
FIG. 6 is a top plan view thereof;
FIG. 7 is a bottom plan view thereof; and,
FIG. 8 is a rear, bottom and right side perspective view
thereof.

The broken lines depict portions of the computer case in
which the design is embodied that form no part of the
claimed design.

1 Claim, 8 Drawing Sheets



(56)

References Cited

U.S. PATENT DOCUMENTS

D540,788 S * 4/2007 McIntosh D14/301
 D583,372 S * 12/2008 Merino D14/301
 D647,088 S * 10/2011 Chen D14/349
 D683,212 S * 5/2013 Kolton D9/430
 D697,513 S * 1/2014 Morooka D14/441
 D778,872 S * 2/2017 Yang D14/204
 D787,512 S * 5/2017 Chana D14/349
 D806,696 S * 1/2018 Goos D14/301
 D813,161 S * 3/2018 Ortakales D13/110
 D815,596 S * 4/2018 Currier D13/110
 D824,333 S * 7/2018 Wilcox D13/133
 D864,199 S * 10/2019 Shoda D14/349
 10,514,733 B1 * 12/2019 Hsu G06F 1/181
 D877,733 S * 3/2020 Bhat D14/314
 D884,686 S * 5/2020 Shen D14/240
 D903,665 S * 12/2020 Yoon D14/349
 D909,364 S * 2/2021 Byrd D14/301
 D919,614 S * 5/2021 Huang D14/314
 2008/0278900 A1 * 11/2008 Mau H05K 5/0004
 361/679.02
 2010/0284141 A1 * 11/2010 Baitz G06F 1/187
 361/679.33
 2013/0140969 A1 * 6/2013 Chen G06F 1/181
 312/223.2
 2016/0098068 A1 * 4/2016 Liu G06F 1/20
 361/679.5
 2021/0185842 A1 * 6/2021 Eusterholz H01R 13/514

FOREIGN PATENT DOCUMENTS

CN 305965378 * 8/2020
 CN 305996746 * 8/2020

* cited by examiner

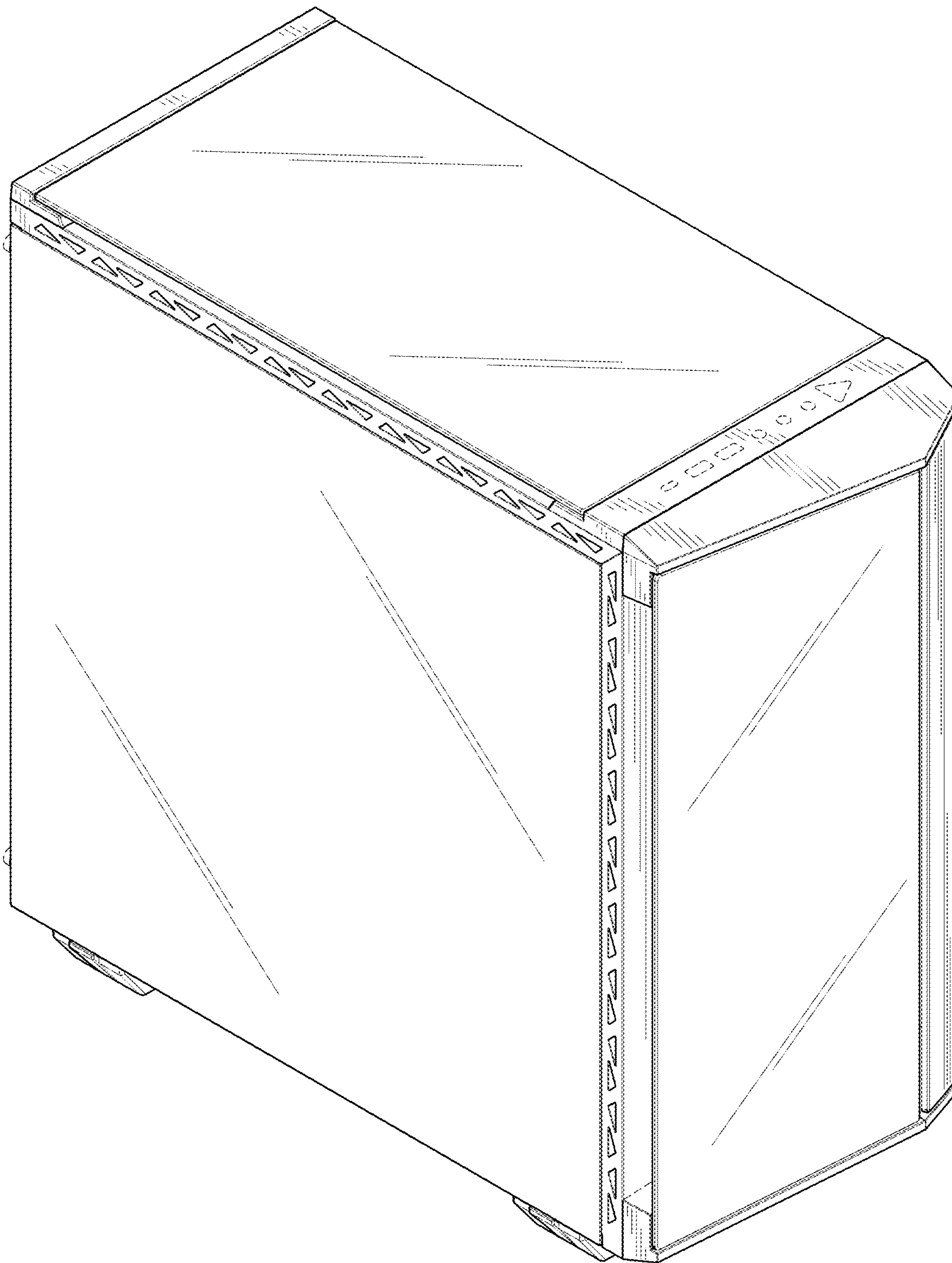


FIG. 1

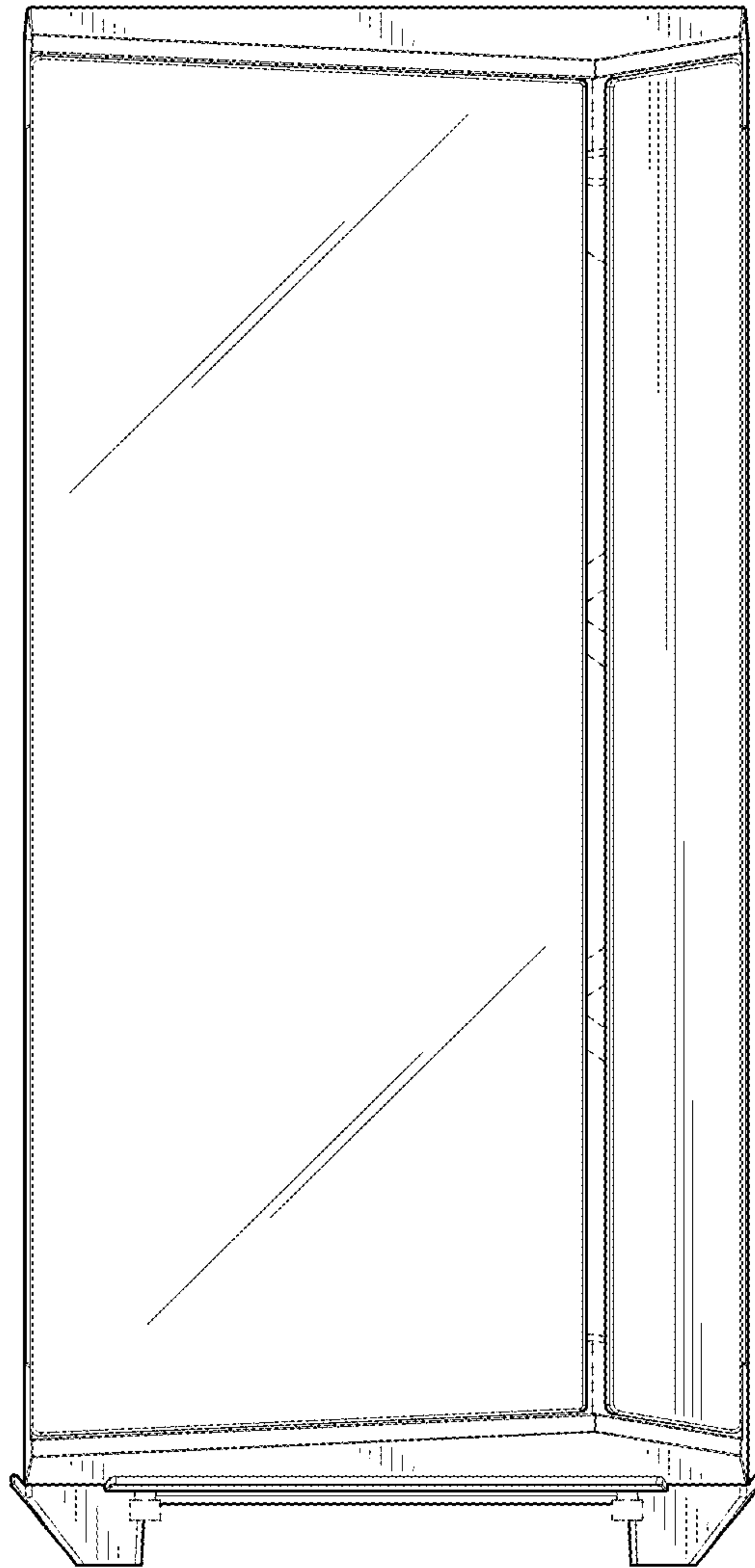


FIG. 2

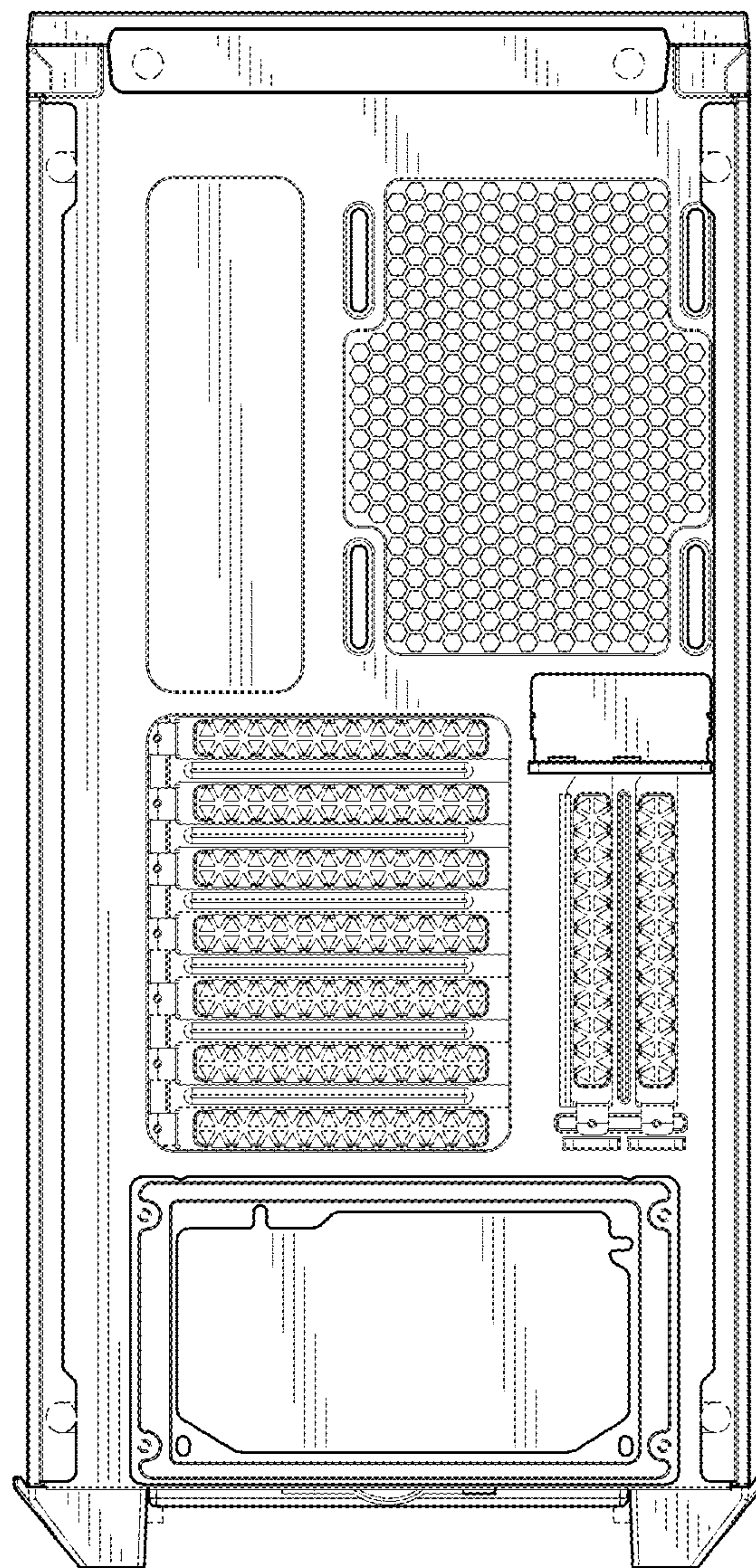


FIG. 3

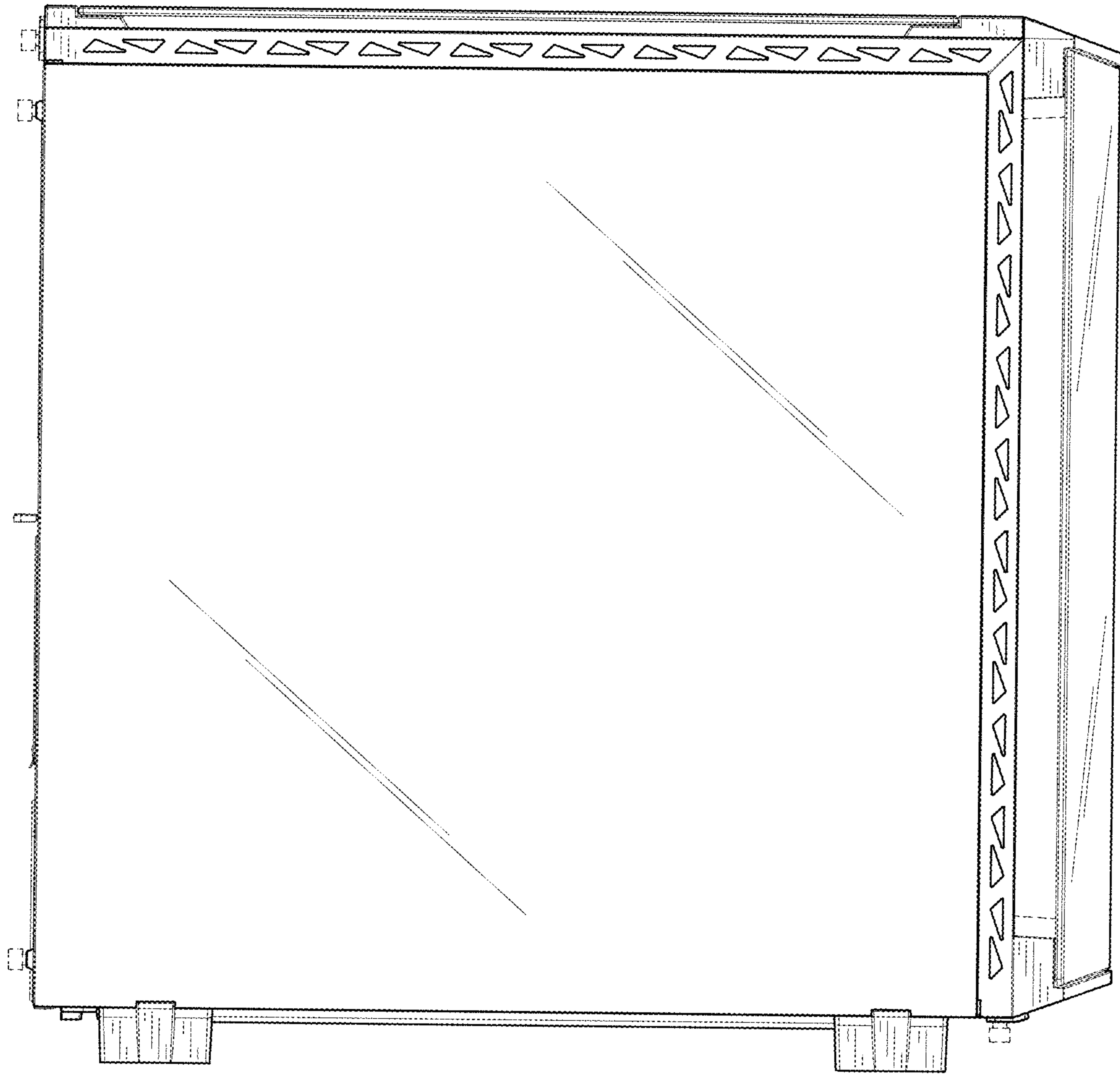


FIG. 4

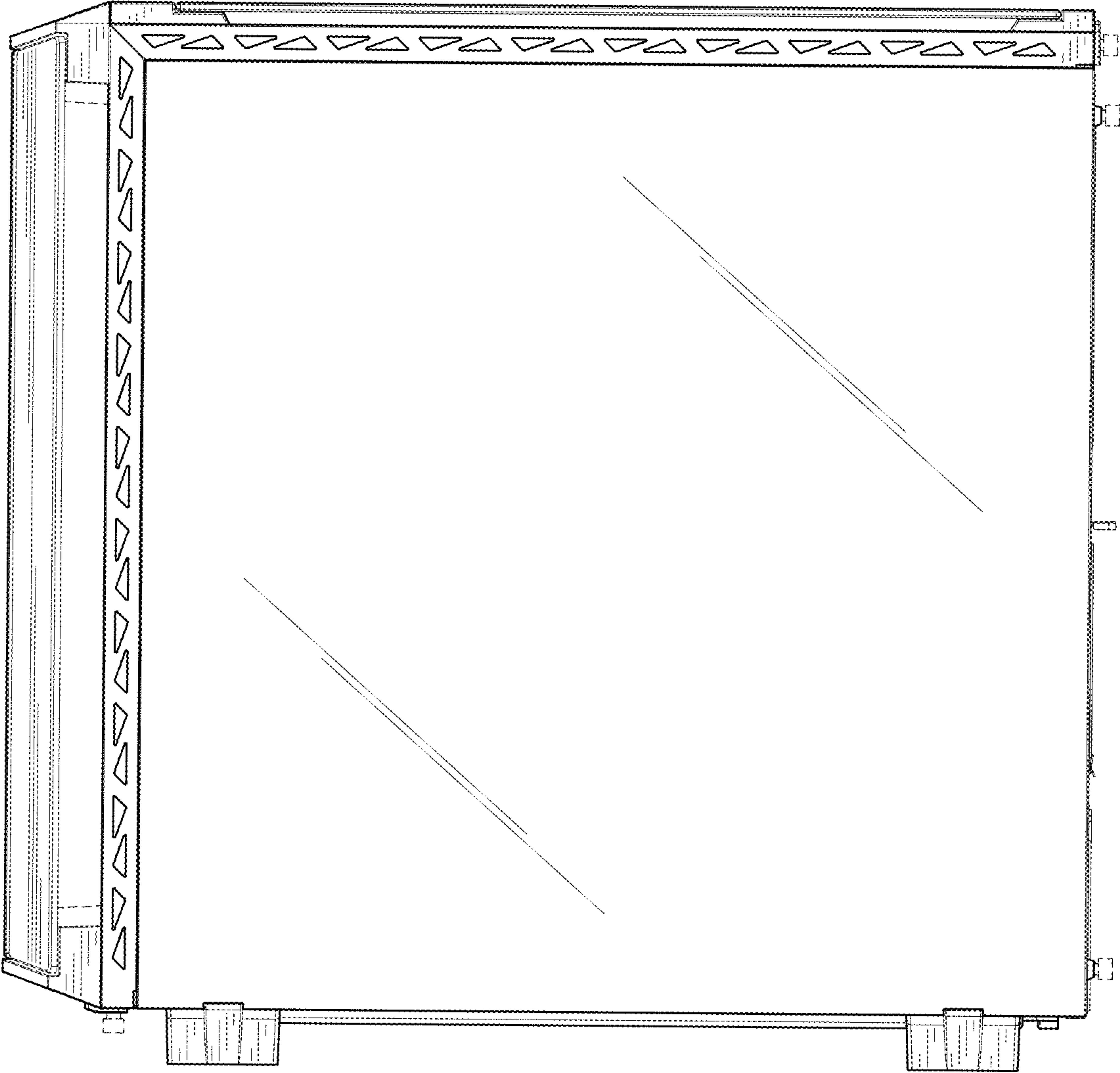


FIG. 5

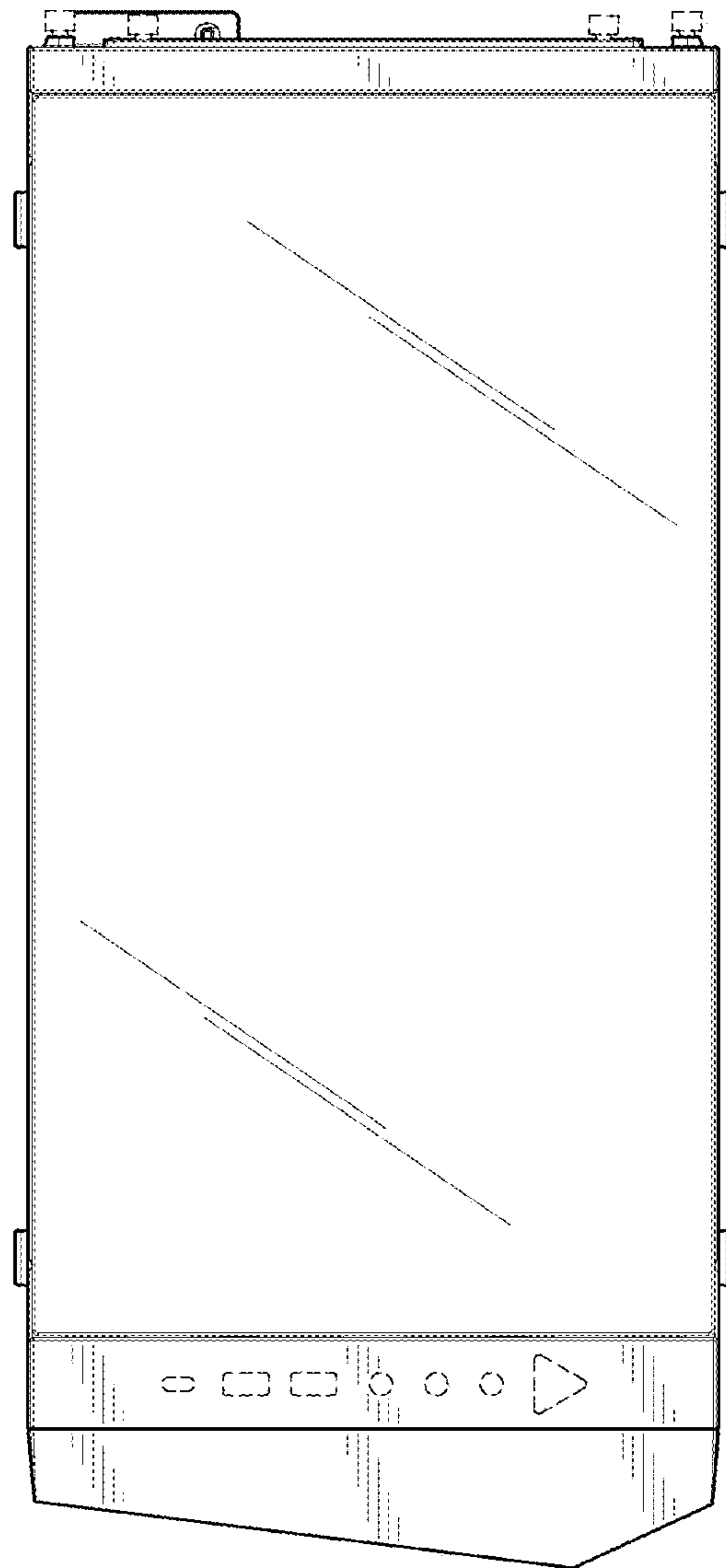


FIG. 6

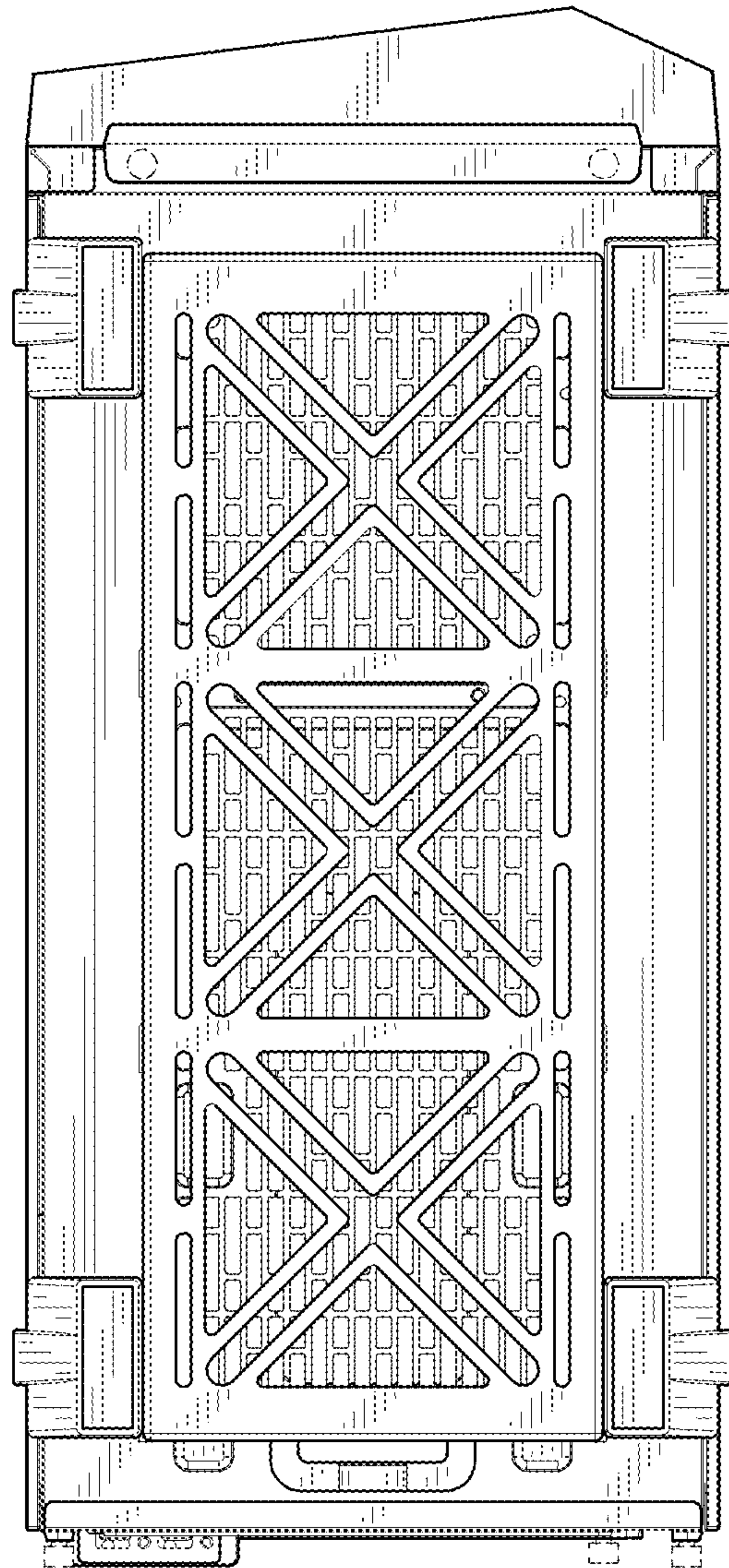


FIG. 7

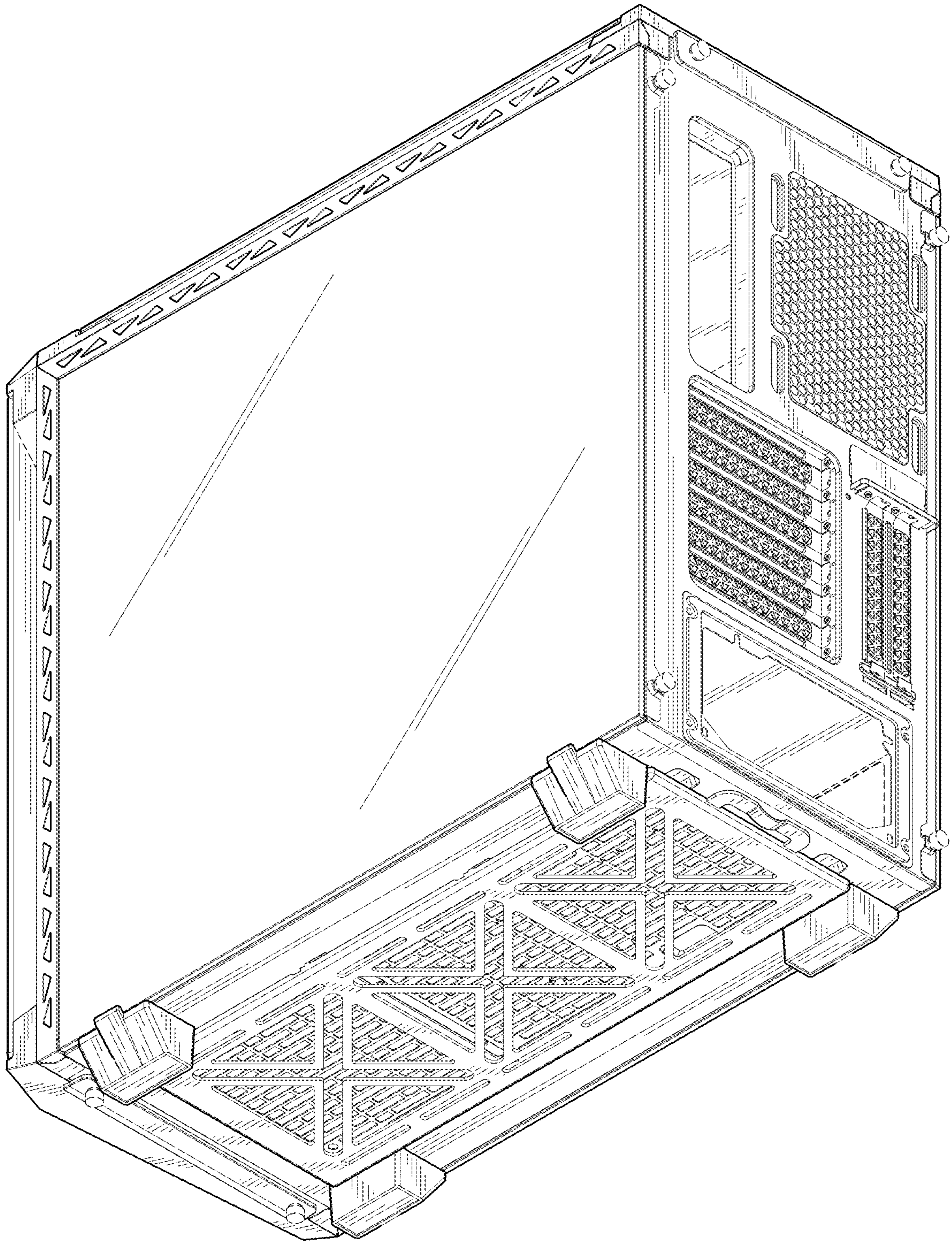


FIG. 8