



US00D939495S

(12) **United States Design Patent** (10) **Patent No.:** **US D939,495 S**  
**Ricker et al.** (45) **Date of Patent:** **\*\* Dec. 28, 2021**

(54) **COMPUTER SERVER**

(71) Applicant: **Hivecell, Inc.**, Beacon, NY (US)

(72) Inventors: **Jeffrey Ricker**, East Fishkill, NY (US);  
**Paul Lyman**, Cedar Rapids, IA (US);  
**Jingwen Zhu**, Brooklyn, NY (US);  
**Theodore Ullrich**, New York, NY (US);  
**Pepin Gelardi**, Brooklyn, NY (US);  
**Josephine Latreille**, London (GB);  
**Joseph Antonio Gonzalez**, Brooklyn, NY (US);  
**Tan Tran**, Brooklyn, NY (US)

(73) Assignee: **Hivecell, Inc.**, Beacon, NY (US)

(\*\*) Term: **15 Years**

(21) Appl. No.: **29/689,884**

(22) Filed: **May 2, 2019**

(51) **LOC (13) Cl.** ..... **14-02**

(52) **U.S. Cl.**  
USPC ..... **D14/301**

(58) **Field of Classification Search**  
USPC ..... D14/314, 316, 140.1, 140.2, 240, 242,  
D14/301-302, 308, 348-349, 351-359,  
D14/440-441, 444, 446, 447, 433-435;  
D23/335, 364-365, 382, 400; D13/162,  
D13/184, 139.4, 146-147; 206/706-707,  
206/721-725; 211/134, 182; D6/317,  
D6/654.11, 654.18; D34/23;  
D9/741-745, 747, 776; D25/4, 113, 119  
CPC ..... H05K 5/00; H05K 5/0213; H05K 5/03;  
H05K 7/14; H05K 9/00; H05K 7/1487;  
H05K 7/1489; H05K 9/0062; H05K 7/16;  
H01R 24/64; H01R 13/6205; H01R  
13/6658; H01R 13/514

See application file for complete search history.

(56) **References Cited**

U.S. PATENT DOCUMENTS

189,676 A \* 4/1877 Adams ..... E04B 2/18  
52/592.6  
295,067 A \* 3/1884 Stearns ..... 52/437  
D96,895 S \* 9/1935 Bowland ..... D25/113  
(Continued)

FOREIGN PATENT DOCUMENTS

CN 302072012 \* 9/2012

OTHER PUBLICATIONS

Hivecell, Ricker Lyman, rickerlyman.com, author unlisted, various dates © not listed, online, site visited Aug. 11, 2020. Available from Internet, URL: <https://rickerlyman.com/> (Year: 2020).\*

(Continued)

*Primary Examiner* — Holly E Thurman  
*Assistant Examiner* — Altaira J Swangin  
(74) *Attorney, Agent, or Firm* — McCarter & English, LLP

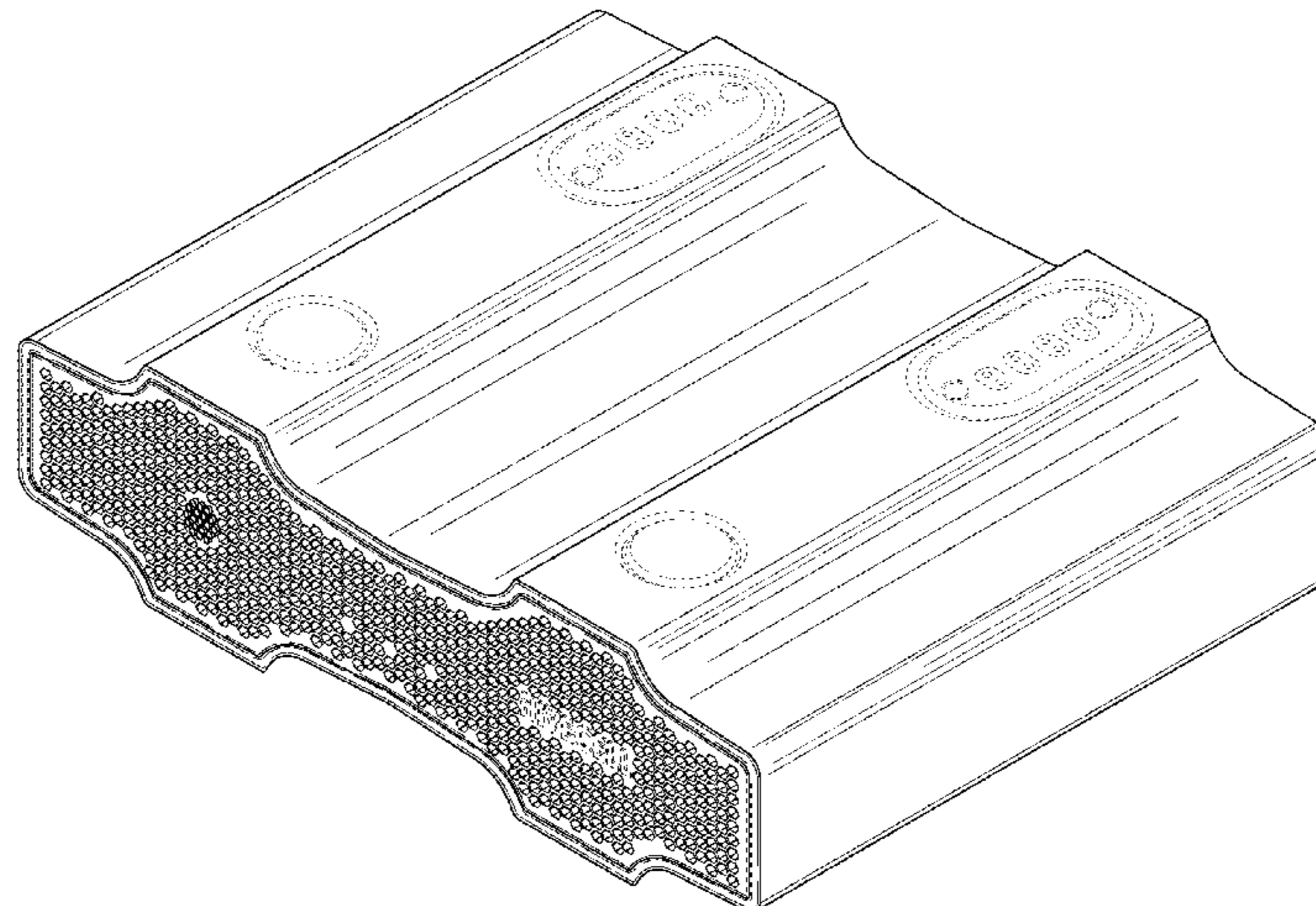
(57) **CLAIM**

The ornamental design for a computer server, as shown and described.

**DESCRIPTION**

FIG. 1 is a front perspective view of a computer server showing the new design;  
FIG. 2 is a front view thereof;  
FIG. 3 is a rear view thereof;  
FIG. 4 is a top view thereof;  
FIG. 5 is a bottom view thereof;  
FIG. 6 is a left side view thereof; and,  
FIG. 7 is a right side view.  
The broken lines immediately adjacent shaded and claimed surfaces represent boundaries of the claim and form no part thereof; all other broken lines depict unclaimed portions of the computer server that form no part of the claim.

**1 Claim, 7 Drawing Sheets**



(56)

References Cited

U.S. PATENT DOCUMENTS

2,089,763 A \* 8/1937 Rotinoff ..... E02D 5/12  
405/275  
2,099,213 A \* 11/1937 Macomber ..... C10G 73/40  
428/543  
2,104,307 A \* 1/1938 Miller ..... E04F 15/04  
144/354  
D134,701 S \* 12/1942 Meade ..... D25/113  
D166,616 S \* 4/1952 Mally ..... D24/128  
2,882,715 A \* 4/1959 Zagray ..... E04B 2/52  
52/436  
D193,327 S \* 8/1962 Harvey ..... D25/113  
3,132,447 A \* 5/1964 Hosbein ..... F23M 5/06  
52/506.03  
D213,074 S \* 12/1968 Griffith et al. .... D28/8.1  
D254,847 S \* 4/1980 Healey ..... D13/147  
D264,003 S \* 4/1982 Campbell ..... D25/113  
D274,441 S \* 6/1984 Stevenson ..... D21/392  
D279,030 S \* 5/1985 Risi ..... D25/113  
4,543,893 A \* 10/1985 Kunnecke ..... F27D 1/04  
110/338  
D336,140 S \* 6/1993 Lavery ..... D25/113  
D340,241 S \* 10/1993 Nakamura ..... D13/146  
D361,077 S \* 8/1995 Jamison ..... D15/150  
D406,358 S \* 3/1999 Risi ..... D25/113  
D423,114 S \* 4/2000 Fifield ..... D25/115  
D427,325 S \* 6/2000 Ginzel ..... D25/119  
D447,118 S \* 8/2001 Lee ..... D13/138.2  
D465,855 S \* 11/2002 Risi ..... D25/113  
D512,162 S \* 11/2005 Risi ..... D25/113  
D524,744 S \* 7/2006 Lai ..... D13/133

D534,909 S \* 1/2007 Weiher ..... D14/356  
D534,910 S \* 1/2007 Weiher ..... D14/356  
D546,478 S \* 7/2007 Adam ..... D25/113  
D598,572 S \* 8/2009 Stephansky ..... D25/113  
D612,333 S \* 3/2010 Wu ..... D13/139.1  
D634,859 S \* 3/2011 Barkman ..... D25/113  
D642,130 S \* 7/2011 Wang ..... D13/147  
D665,755 S \* 8/2012 Sasada ..... D13/147  
D689,626 S \* 9/2013 MacKenzie ..... D25/113  
D715,965 S \* 10/2014 Kim ..... D25/115  
D735,890 S \* 8/2015 Gleason ..... D25/113  
D738,534 S \* 9/2015 Thomassen ..... D25/113  
D833,301 S \* 11/2018 Liu ..... D9/737  
D896,222 S \* 9/2020 Amijo ..... D14/372  
D900,340 S \* 10/2020 von Langsdorff ..... D25/113  
D908,247 S \* 1/2021 Wertheim Aymes ..... D25/113  
D908,669 S \* 1/2021 Marti ..... D14/240  
D911,556 S \* 2/2021 Liistro ..... D25/115  
D914,015 S \* 3/2021 Ootori ..... D14/353  
2019/0341728 A1 \* 11/2019 Ricker ..... H01R 13/64

OTHER PUBLICATIONS

Stacked Fin Heat sink, Lori, lorithermal.com, author and date  
unlisted © 2008 Shenzhen Lori Technology Co., Ltd., online, site  
visited Aug. 11, 2020. Available from Internet, URL: <https://www.lorithermal.com/china-custom-stacked-fin-heat-sinks-for-laser-equipment-lr0130> (Year: 2020).  
Jeffery Ricker, "Hivecell", powerpoint, 2015, Ricker Lyman Robotic  
LLC.

\* cited by examiner



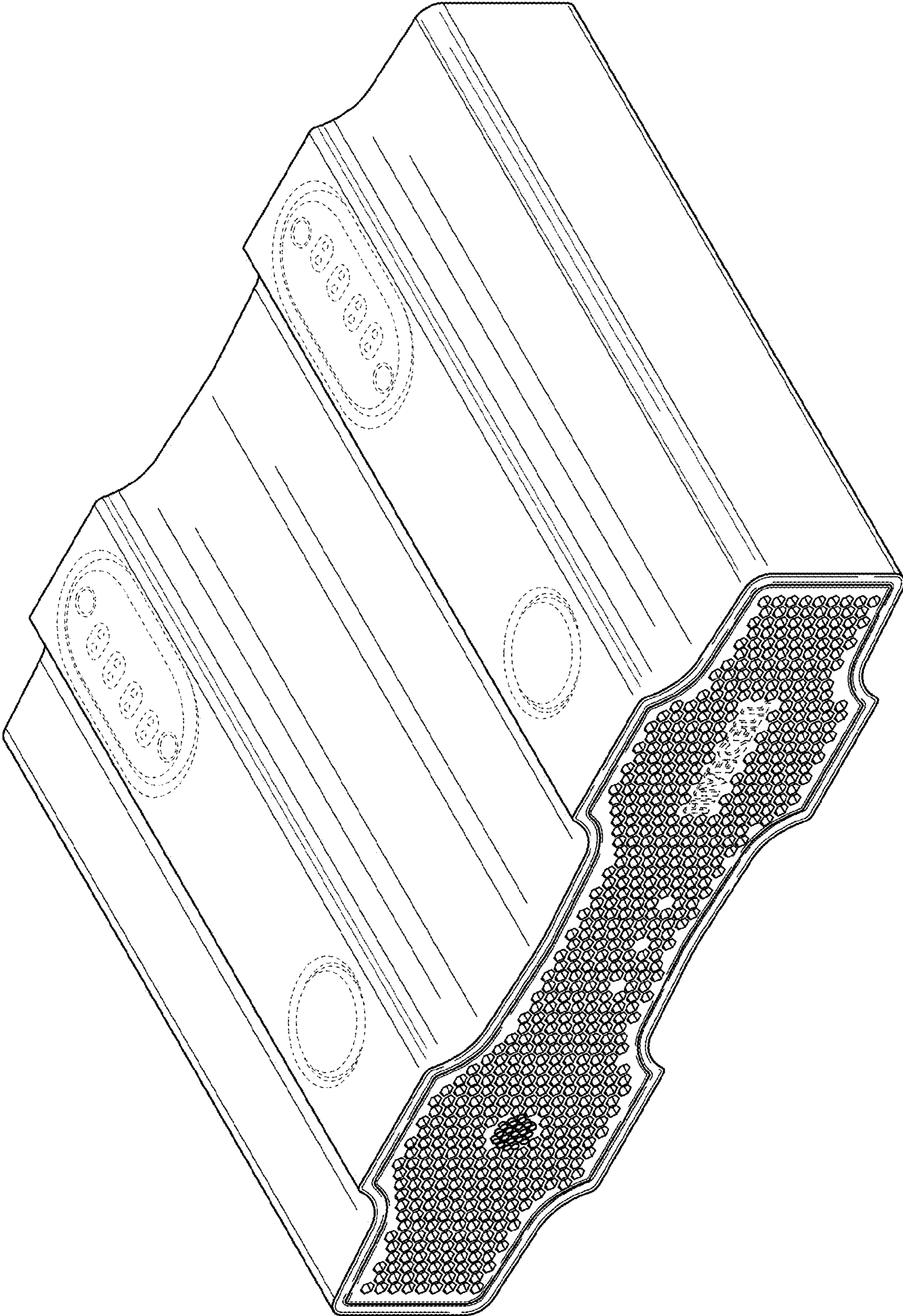


FIG. 1

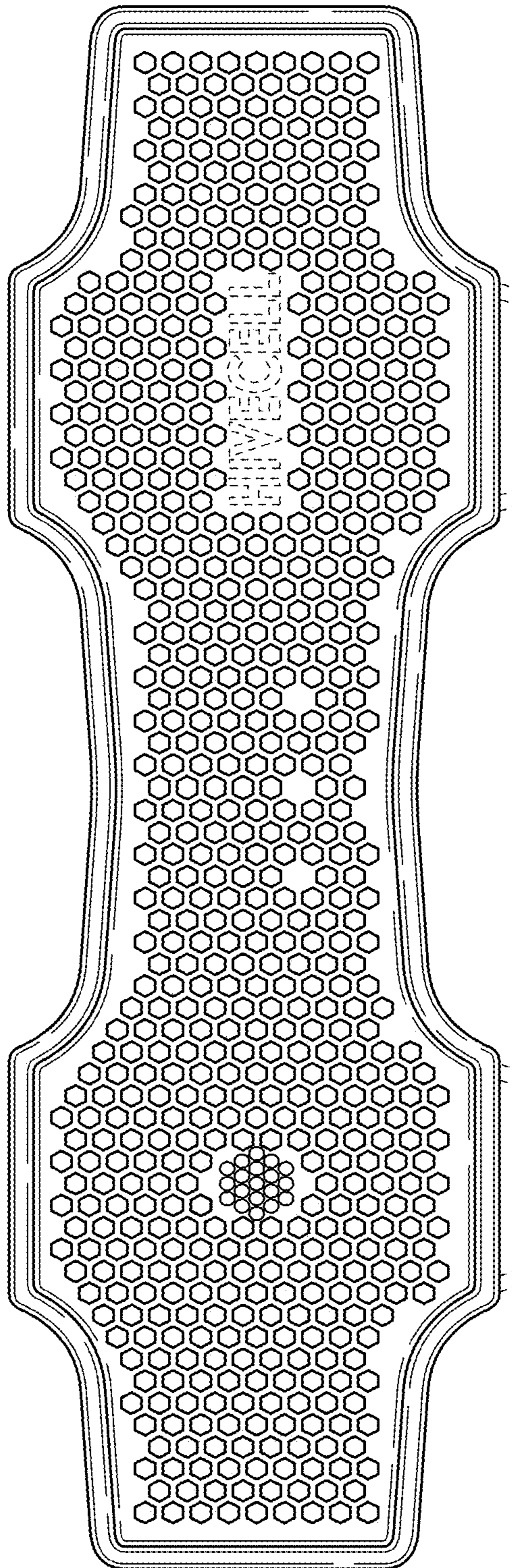


FIG. 2



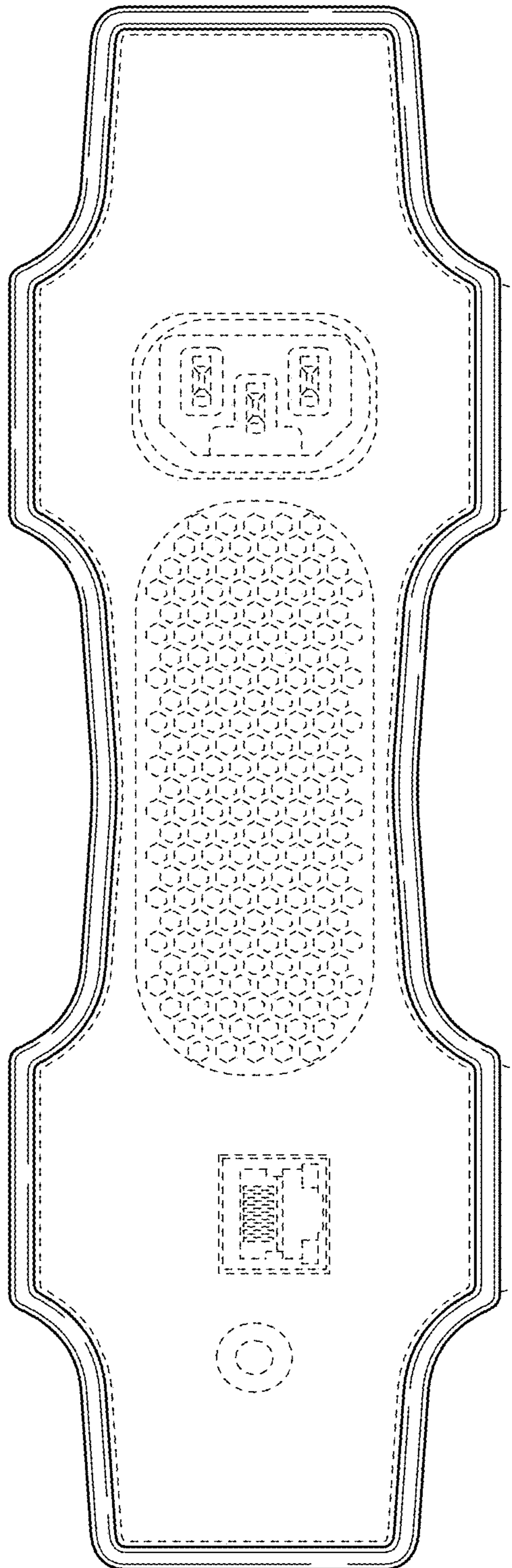


FIG. 3

FIG. 4

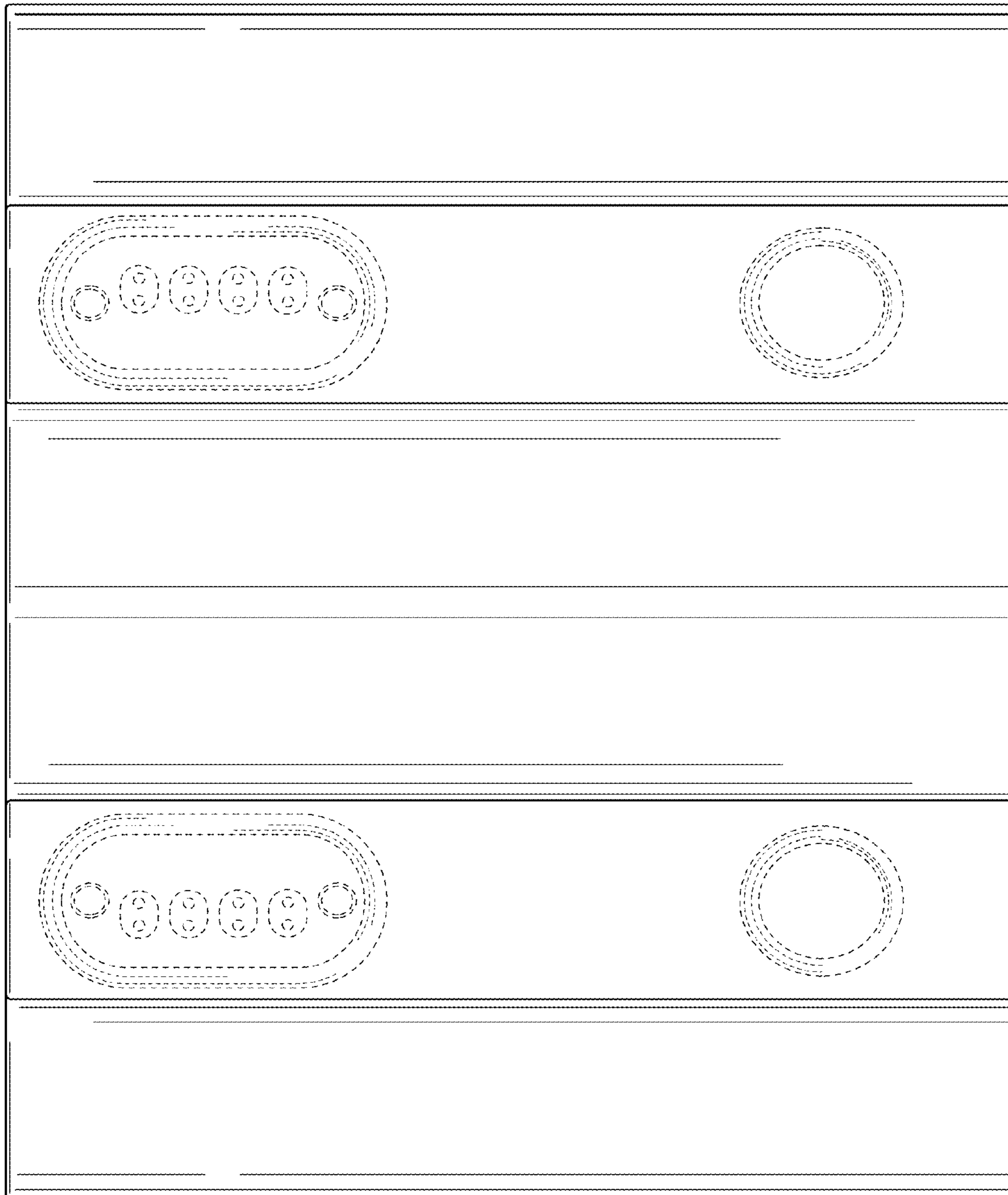
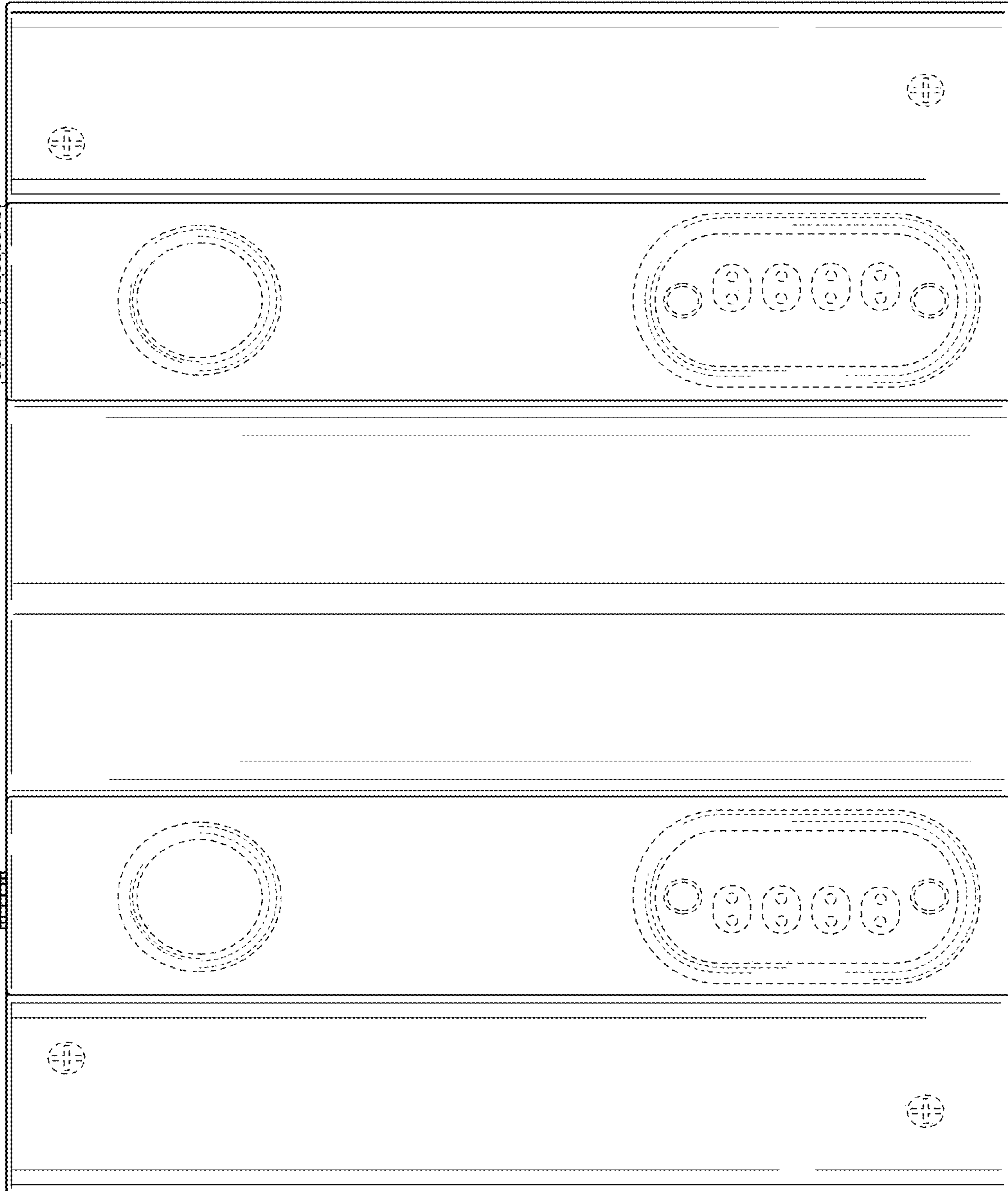


FIG. 5



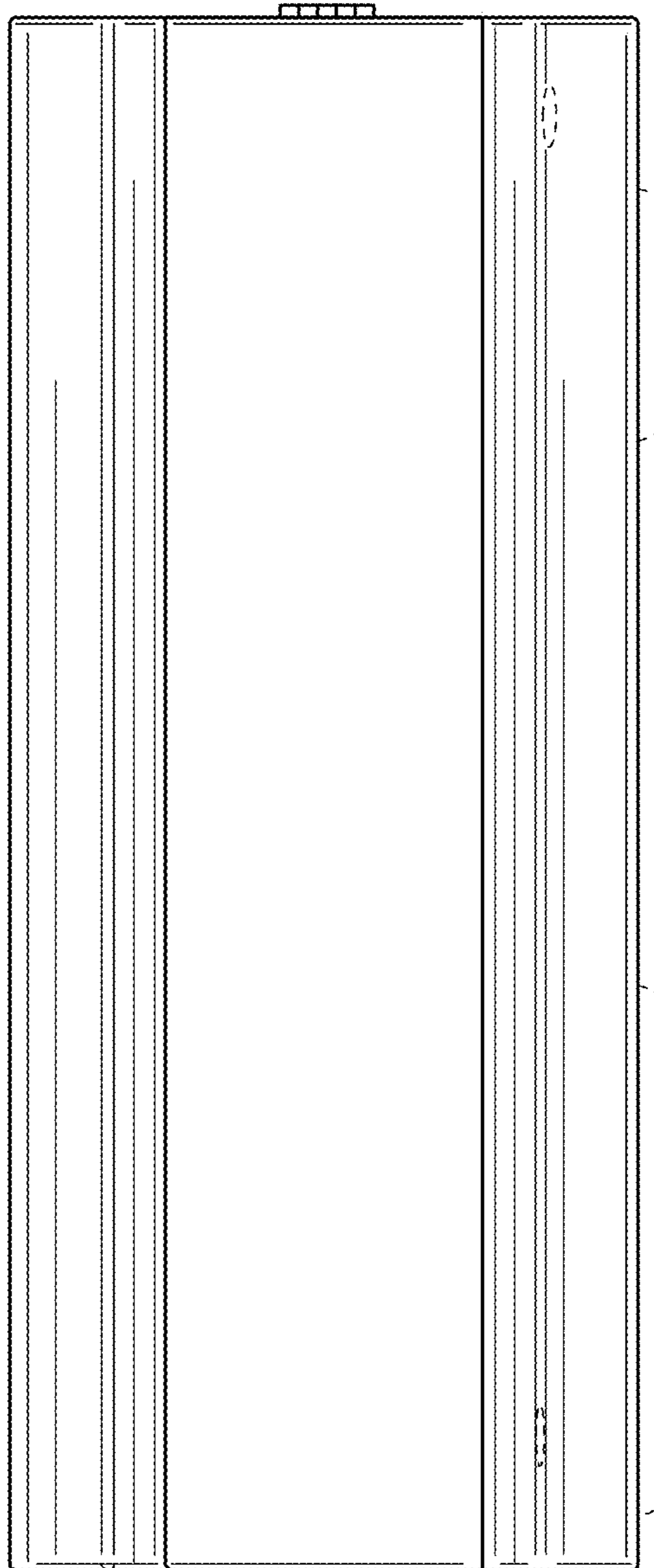


FIG. 6



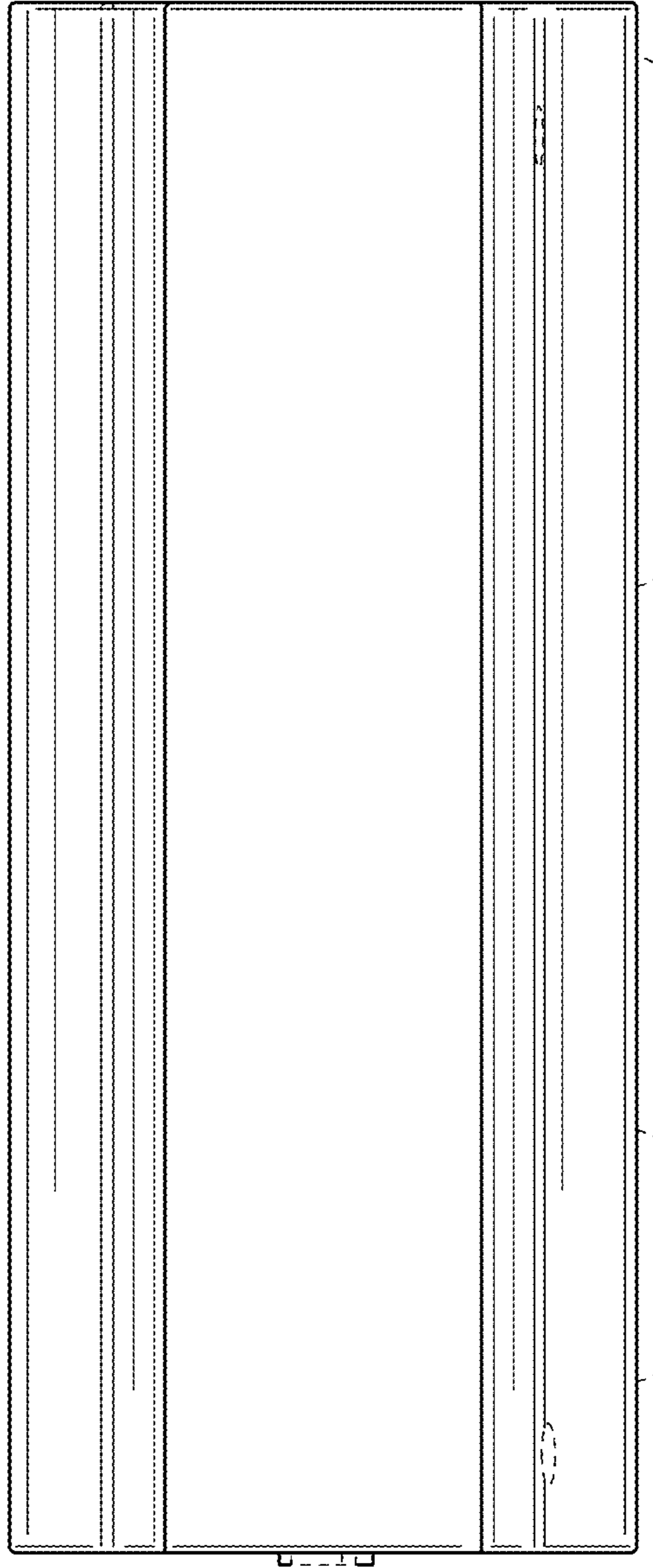


FIG. 7