



US00D939494S

(12) **United States Design Patent**
Leeds-Frank et al.

(10) **Patent No.:** **US D939,494 S**

(45) **Date of Patent:** **** Dec. 28, 2021**

(54) **COMBINED MOUNT AND HOLDER FOR A MOBILE DEVICE**

(71) Applicant: **iOttie, Inc.**, New York, NY (US)

(72) Inventors: **Jeremy Leeds-Frank**, Mineola, NY (US); **Bennett Gershkow**, San Rafael, CA (US); **Carlyle Patrick Yarbough**, Astoria, NY (US)

(73) Assignee: **iOttie, Inc.**, New York, NY (US)

(**) Term: **15 Years**

(21) Appl. No.: **29/725,093**

(22) Filed: **Feb. 21, 2020**

(51) **LOC (13) Cl.** **14-99**

(52) **U.S. Cl.**
USPC **D14/253**; D12/415

(58) **Field of Classification Search**
USPC D14/251–253, 224, 224.1, 432–434, 447, D14/451, 452; D12/415, 426.1, 114, 223; D16/242, 244, 245; D10/74; D3/218; D13/108
CPC B60R 11/00; B60R 11/02; B60R 11/0241; B60R 11/0252; B60R 2011/0003; B60R 2011/0005; B60R 2011/0008; H04M 1/04; H04B 1/3877; A45F 2200/0516; A45F 2200/0525; H05K 5/02; H05K 5/0204; H05K 7/00; F16M 13/02; F16M 13/022; F16M 11/00; F16M 11/04; F16M 11/041; F16M 11/06

See application file for complete search history.

(56) **References Cited**

U.S. PATENT DOCUMENTS

D705,211 S *	5/2014	Huang	D14/253
D705,234 S *	5/2014	Guran	D14/447
D709,066 S *	7/2014	Byun	D14/253
D727,333 S *	4/2015	Shih	D14/447
D738,873 S *	9/2015	Kim	D14/253

D747,704 S *	1/2016	Tsou	D14/242
D790,435 S *	6/2017	Du	D12/415
D792,413 S *	7/2017	Floersch	D14/447
D792,414 S *	7/2017	Floersch	D14/447
D820,663 S *	6/2018	Jang	D8/349
D824,378 S *	7/2018	Sukphisit	D14/253

(Continued)

OTHER PUBLICATIONS

Iottie Aivo Connect Smart Car Phone Holder with Alexa and Wireless Charger . . . [online] posted by Daniel. Posted Jan. 5, 2021. [Retrieved from the Internet Jun. 14, 2021.] <URL: <https://gadgetsin.com/iottie-aivo-connect-smart-car-phone-holder-with-alexa-and-wireless-charger.htm> >.*

Primary Examiner — Rebekah A Caruso

(74) *Attorney, Agent, or Firm* — Lucas & Mercanti, LLP

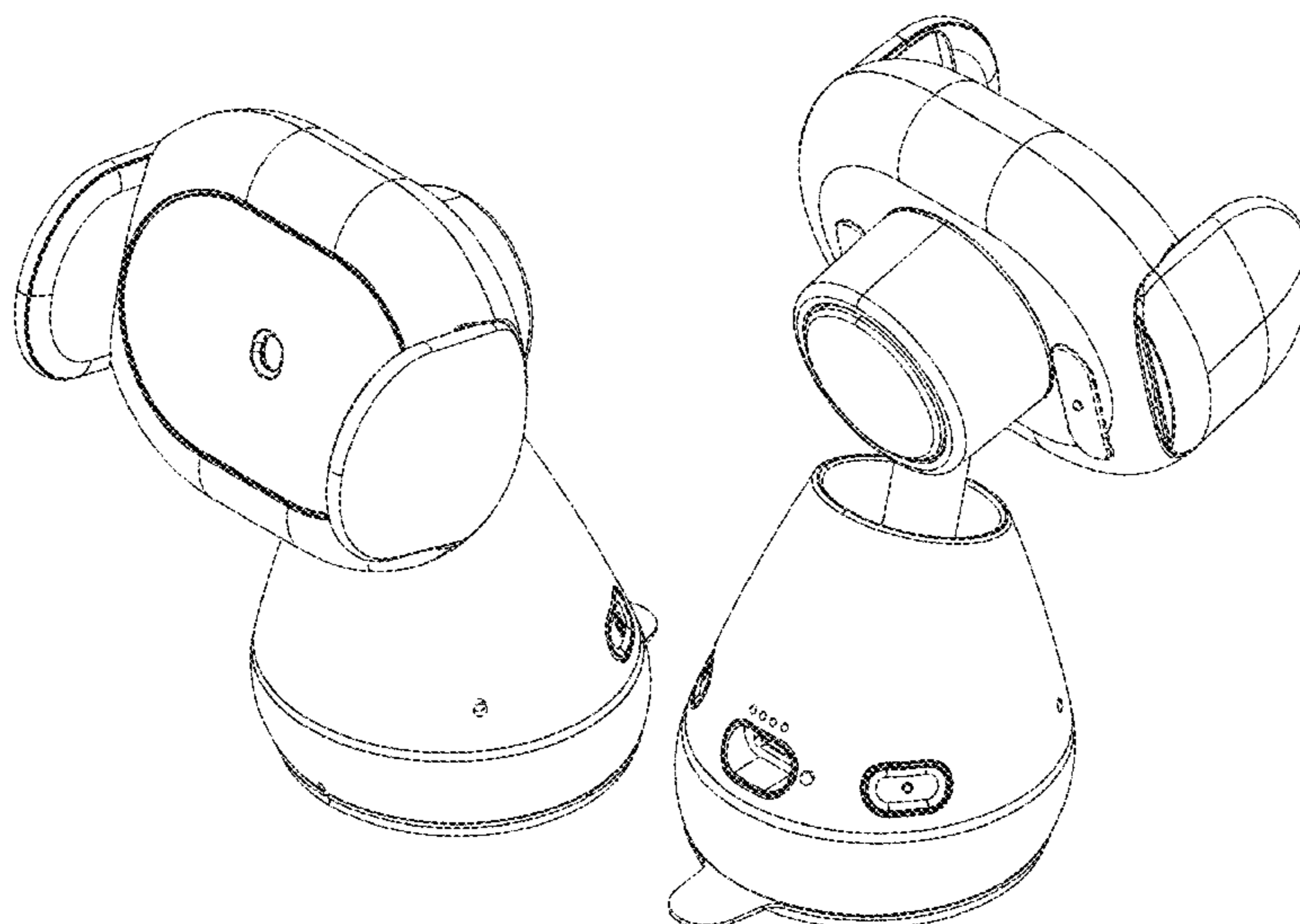
(57) **CLAIM**

The ornamental design for a combined mount and holder for a mobile device, as shown and described.

DESCRIPTION

FIG. 1 is a front view of our new design for a combined mount and holder for a mobile device;
FIG. 2 is a rear view thereof;
FIG. 3 is a right side view thereof;
FIG. 4 is a left side view thereof;
FIG. 5 is a top view thereof;
FIG. 6 is a bottom view thereof;
FIG. 7 is a left front top perspective view thereof;
FIG. 8 is a right rear top perspective view thereof;
FIG. 9 is a front view thereof with arms open;
FIG. 10 is a rear view thereof with arms open;
FIG. 11 is a left front top perspective view thereof with arms open; and,
FIG. 12 is a left rear bottom perspective view thereof with arms open, wherein, the broken line depicts portions of the article that forms no part of the claimed design.

1 Claim, 12 Drawing Sheets



(56)

References Cited

U.S. PATENT DOCUMENTS

D825,545 S *	8/2018	McSweyn	D14/253
D831,665 S *	10/2018	Yao	D14/447
D831,666 S *	10/2018	Yao	D14/447
D845,962 S *	4/2019	Yao	D14/447
D848,443 S *	5/2019	Yao	D14/447
D859,395 S *	9/2019	Yao	D14/253
D860,213 S *	9/2019	Sheng	D14/447
D877,138 S *	3/2020	McSweyn	D14/253
D890,159 S *	7/2020	McSweyn	D14/253
D917,497 S *	4/2021	Lee	D14/447

* cited by examiner

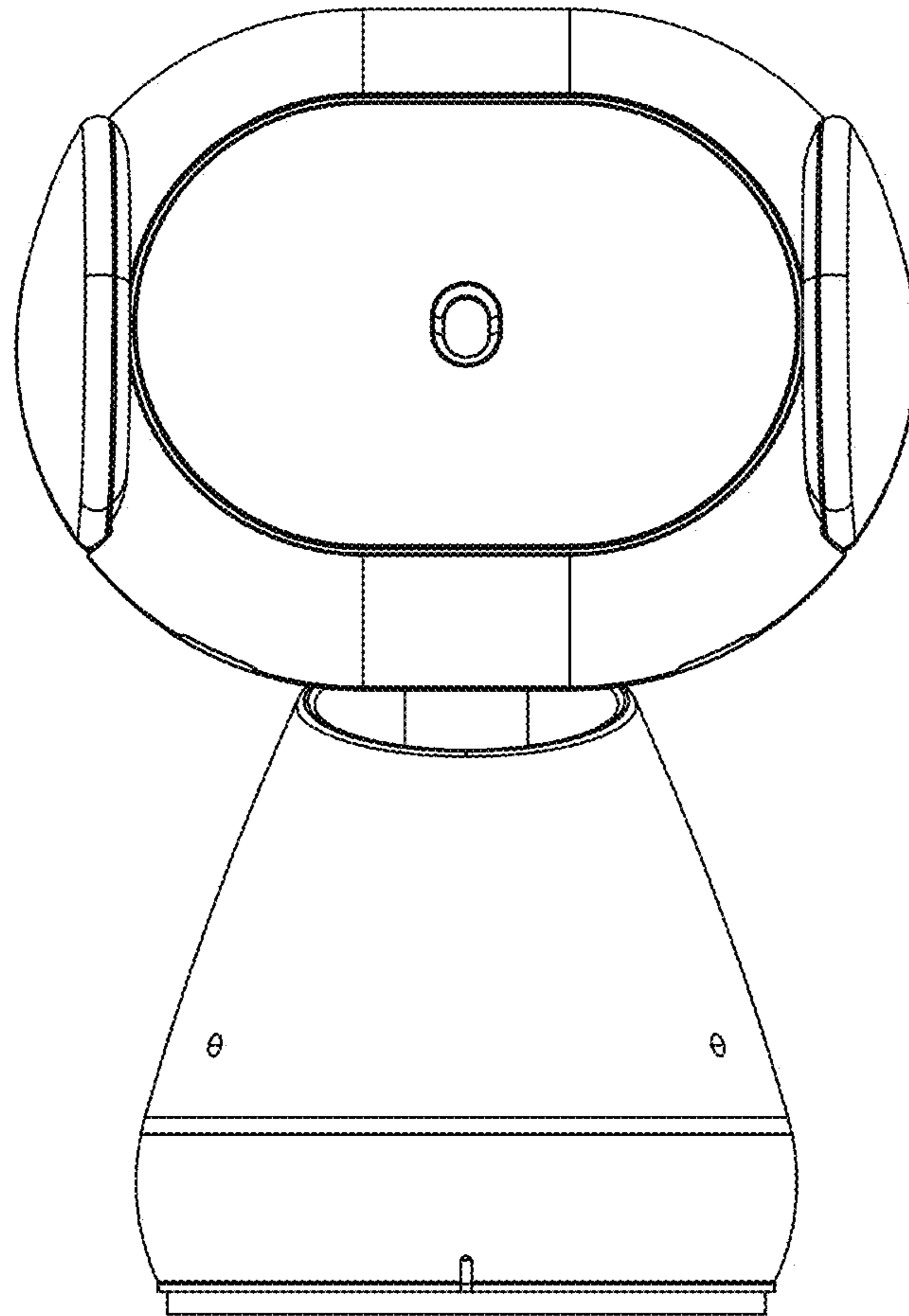


FIG. 1

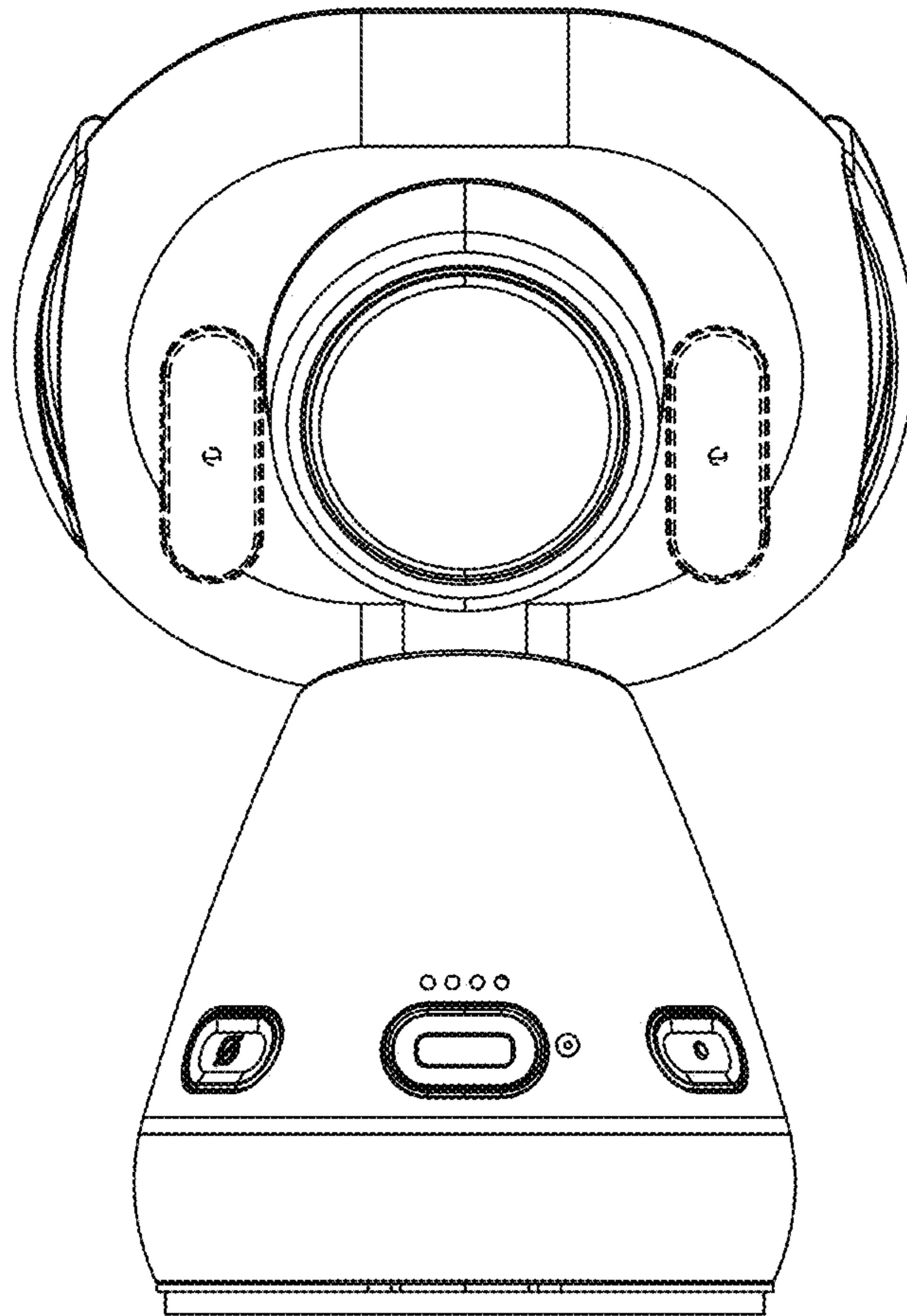


FIG. 2

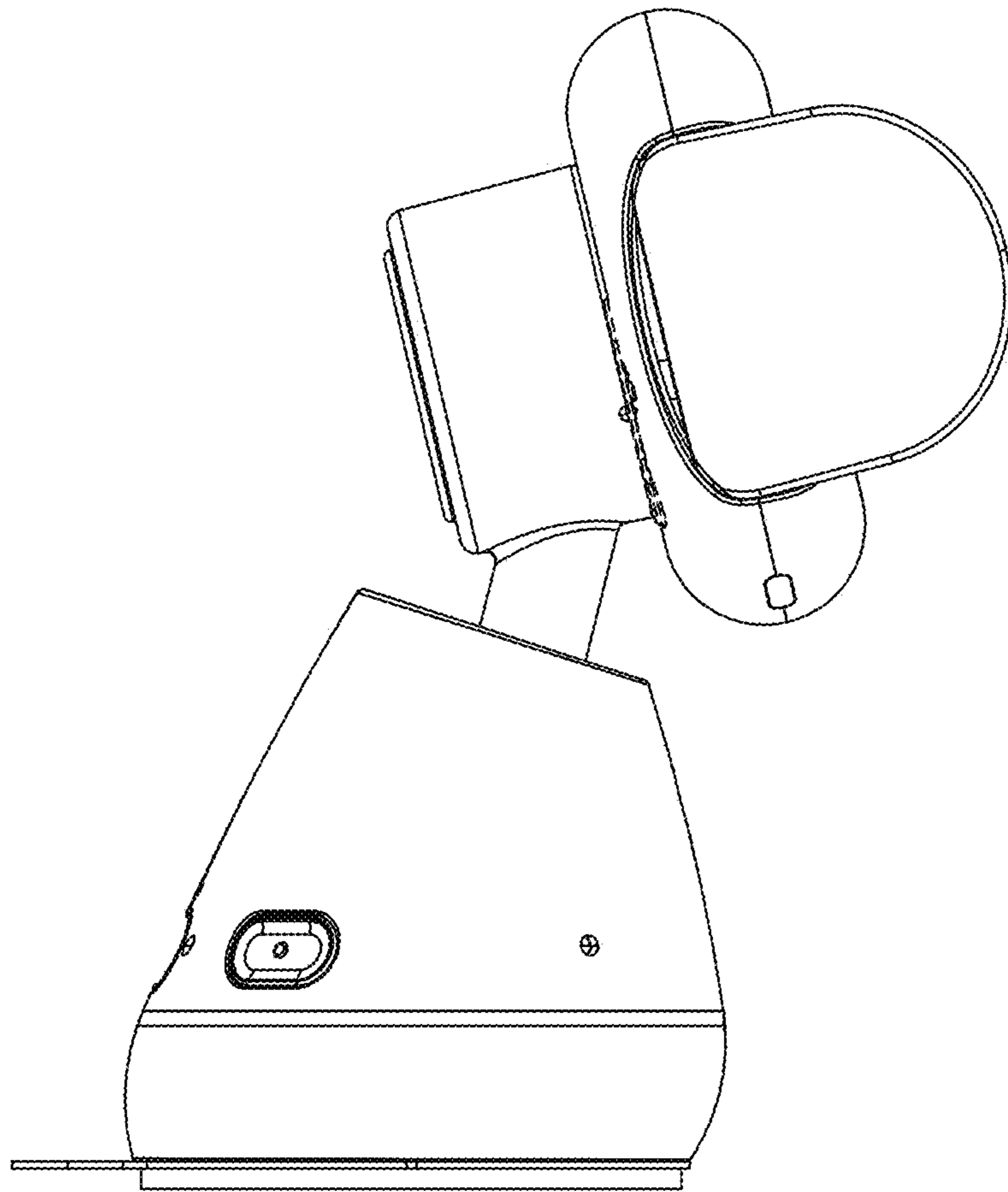


FIG. 3

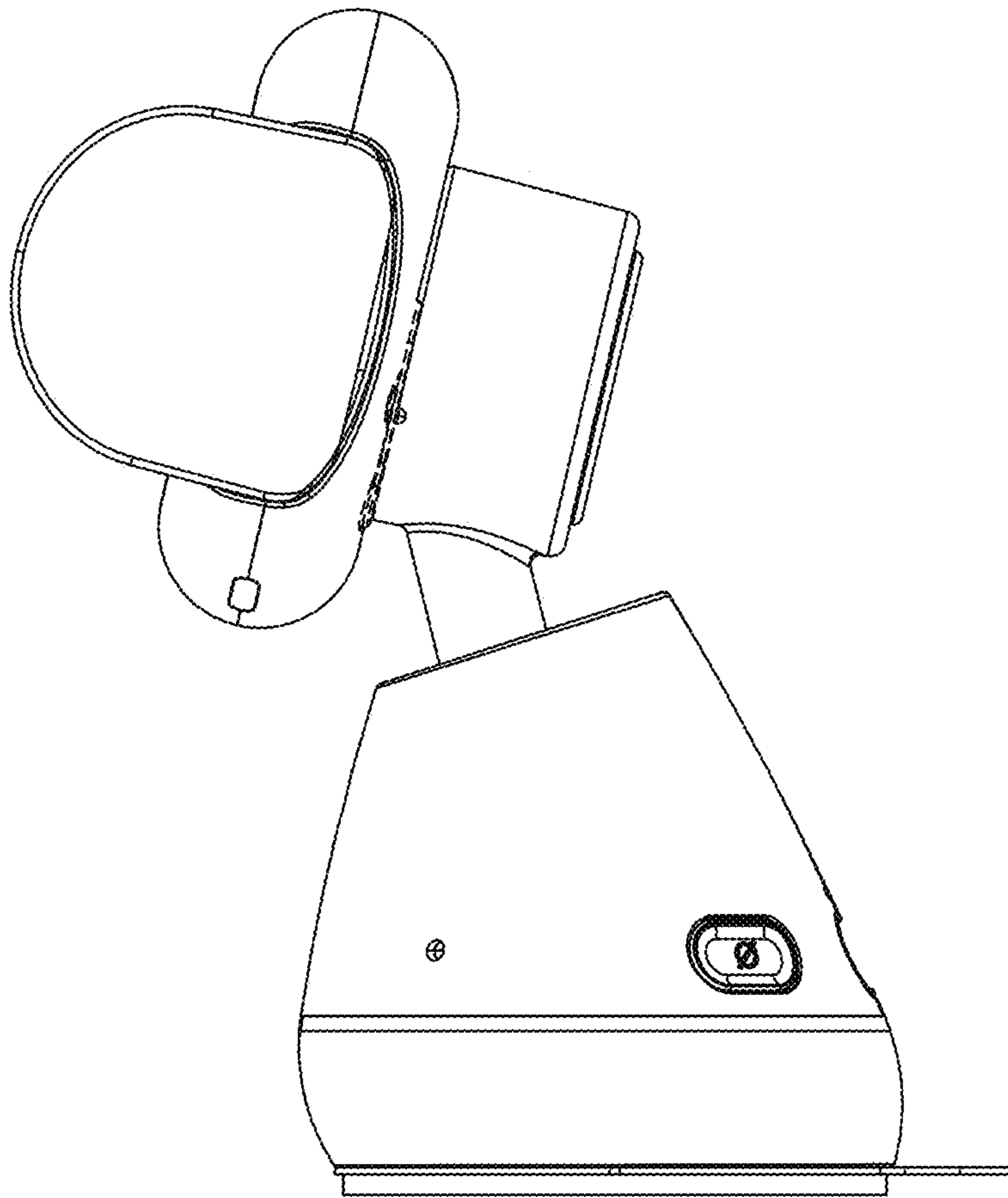


FIG. 4

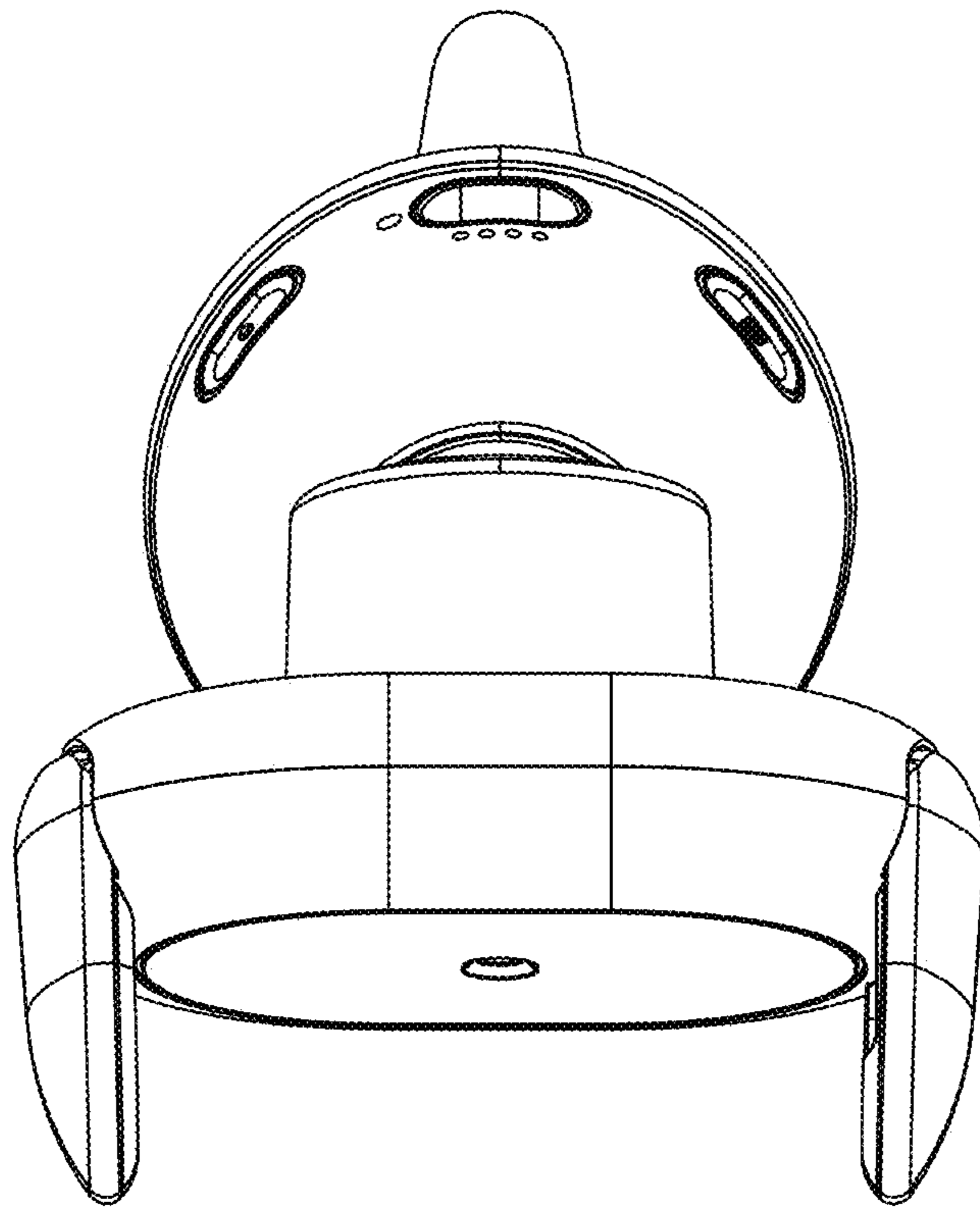


FIG. 5

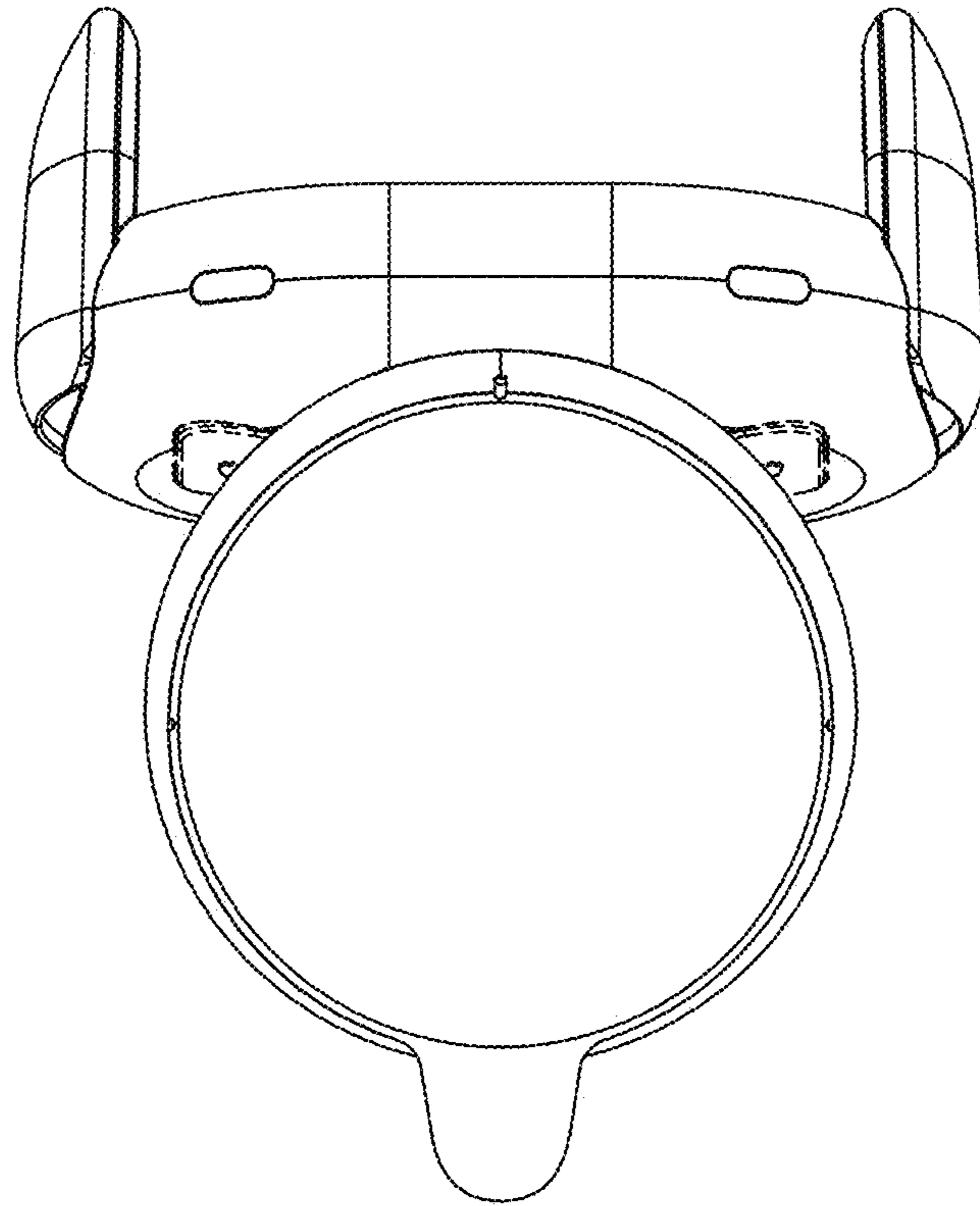


FIG. 6

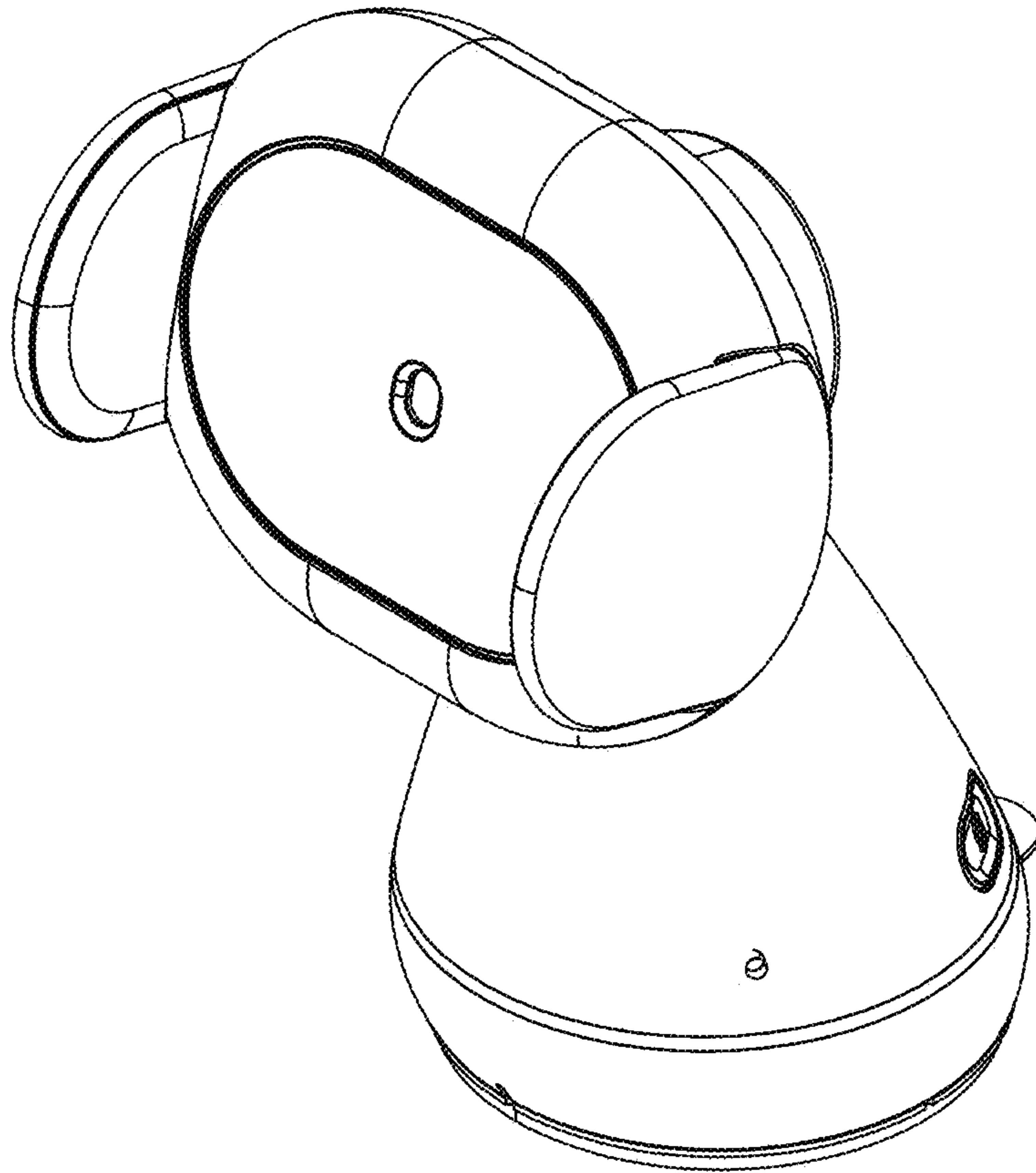


FIG. 7

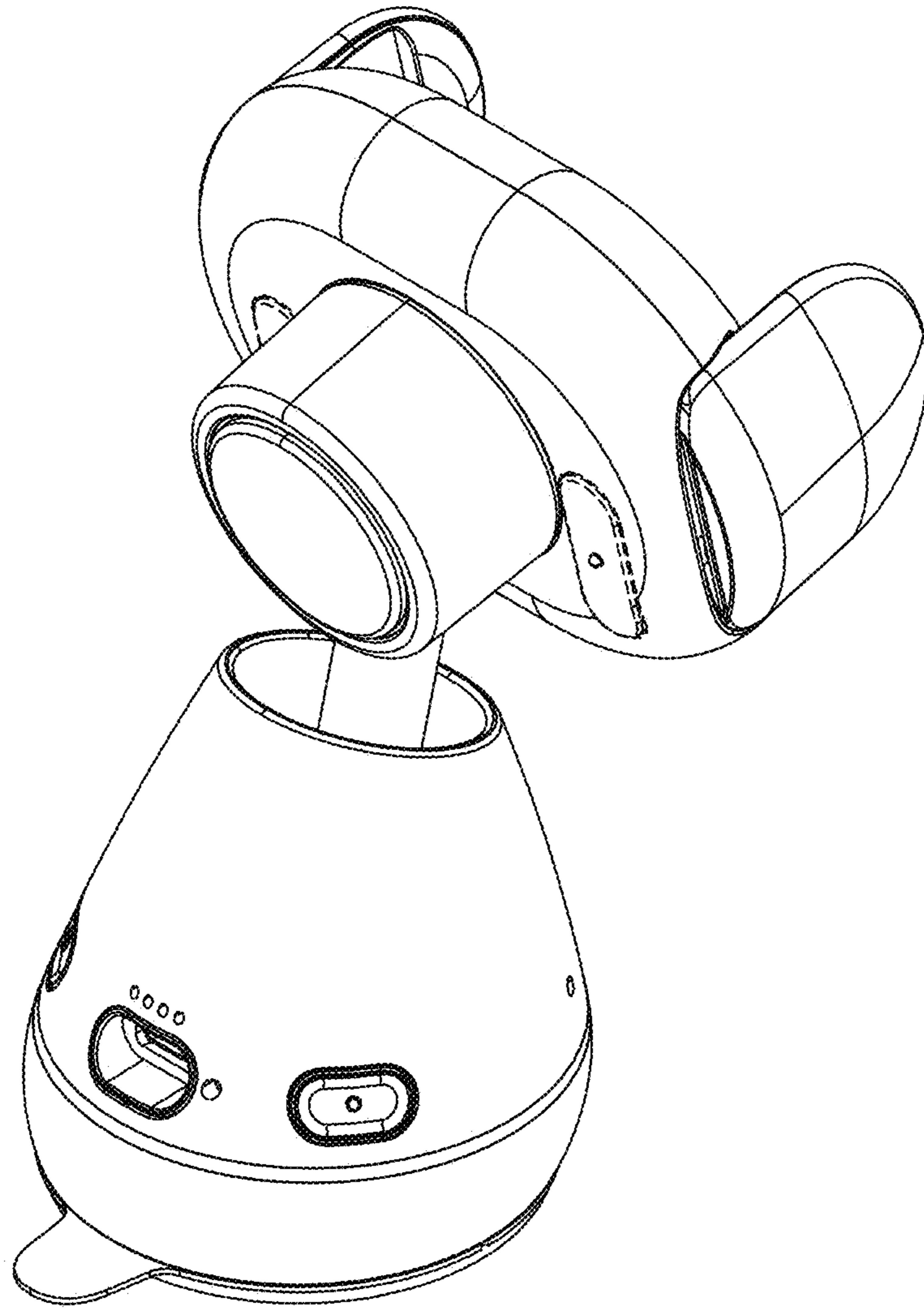


FIG. 8

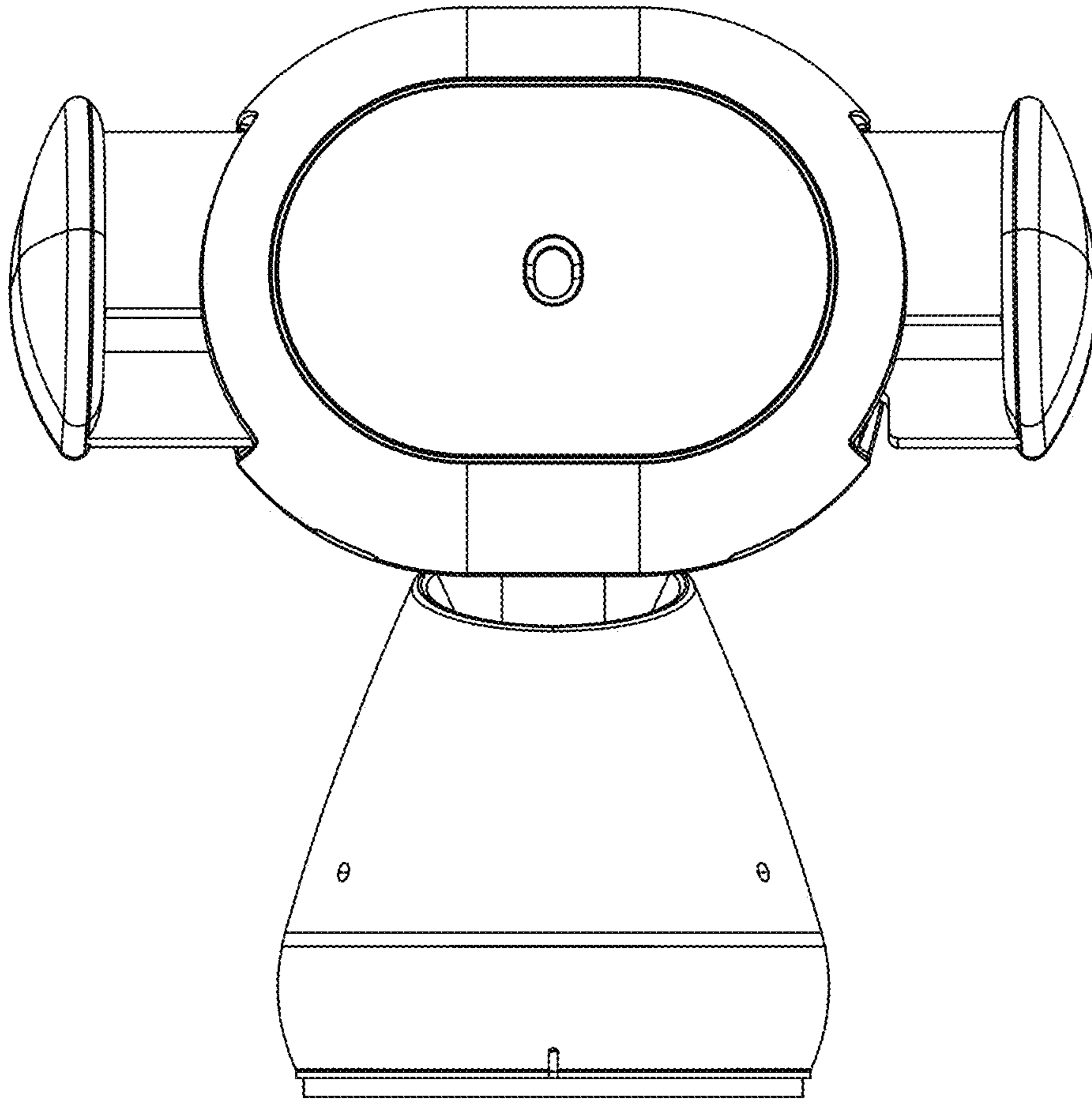


FIG. 9

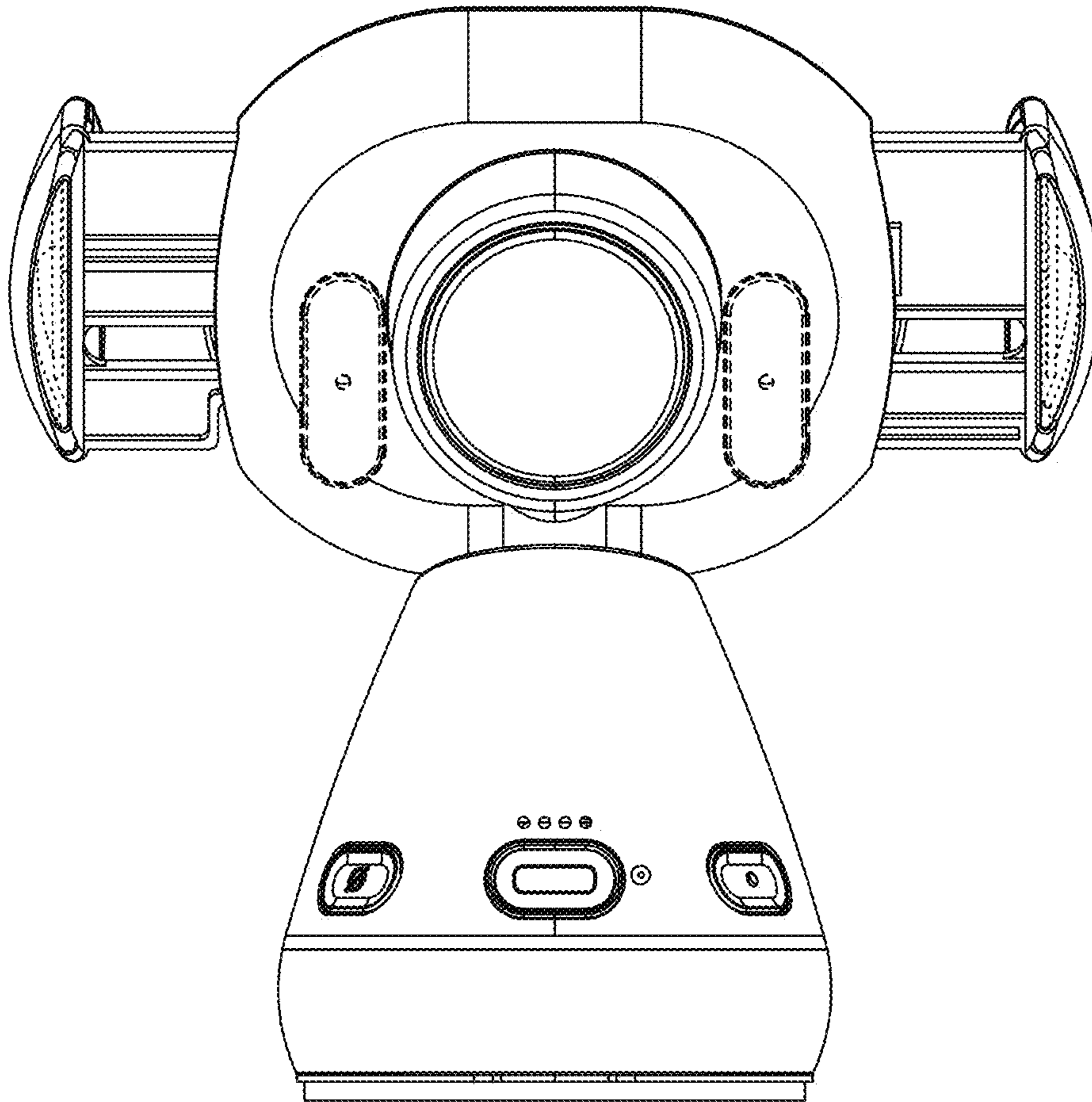


FIG. 10

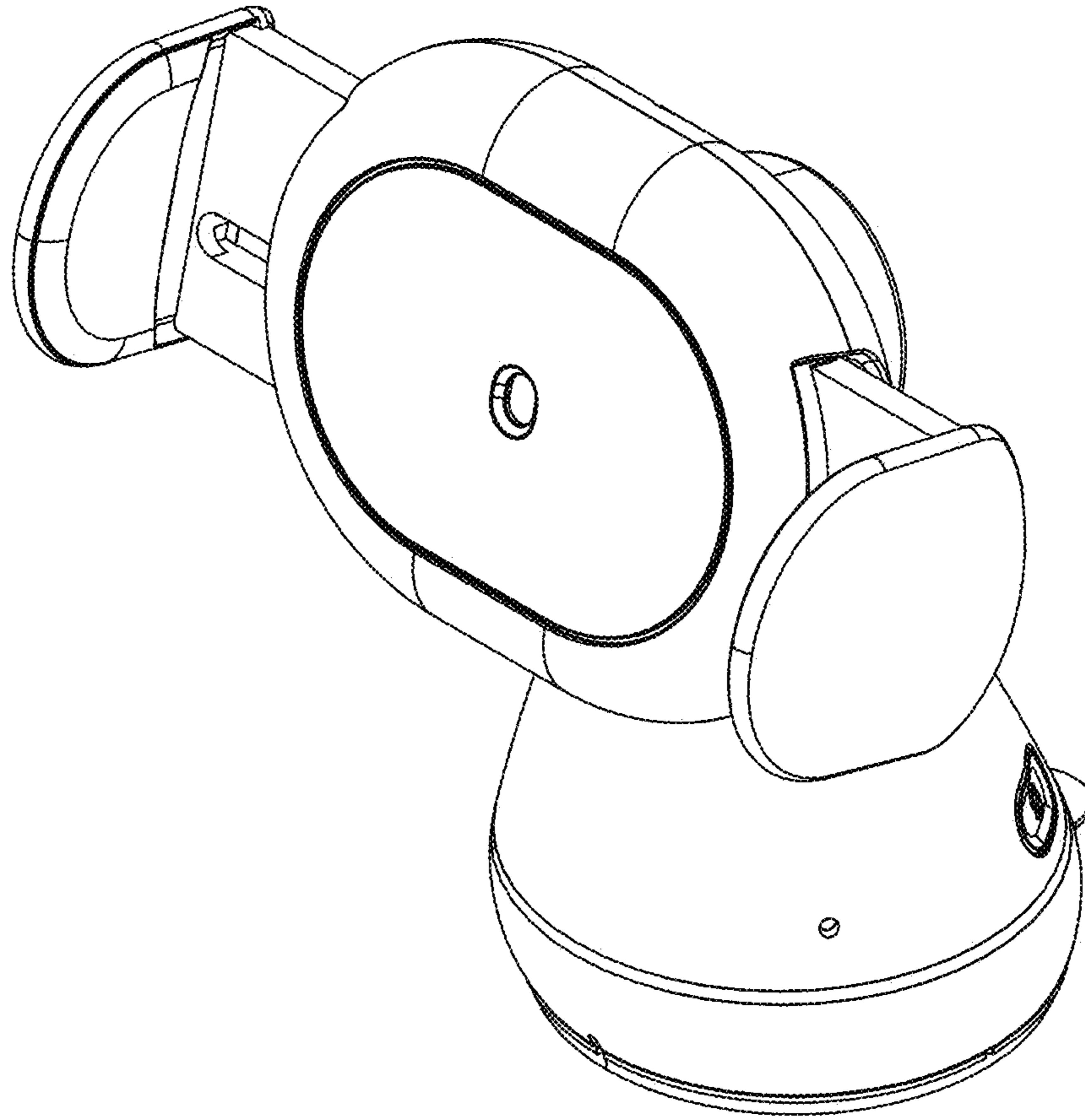


FIG. 11

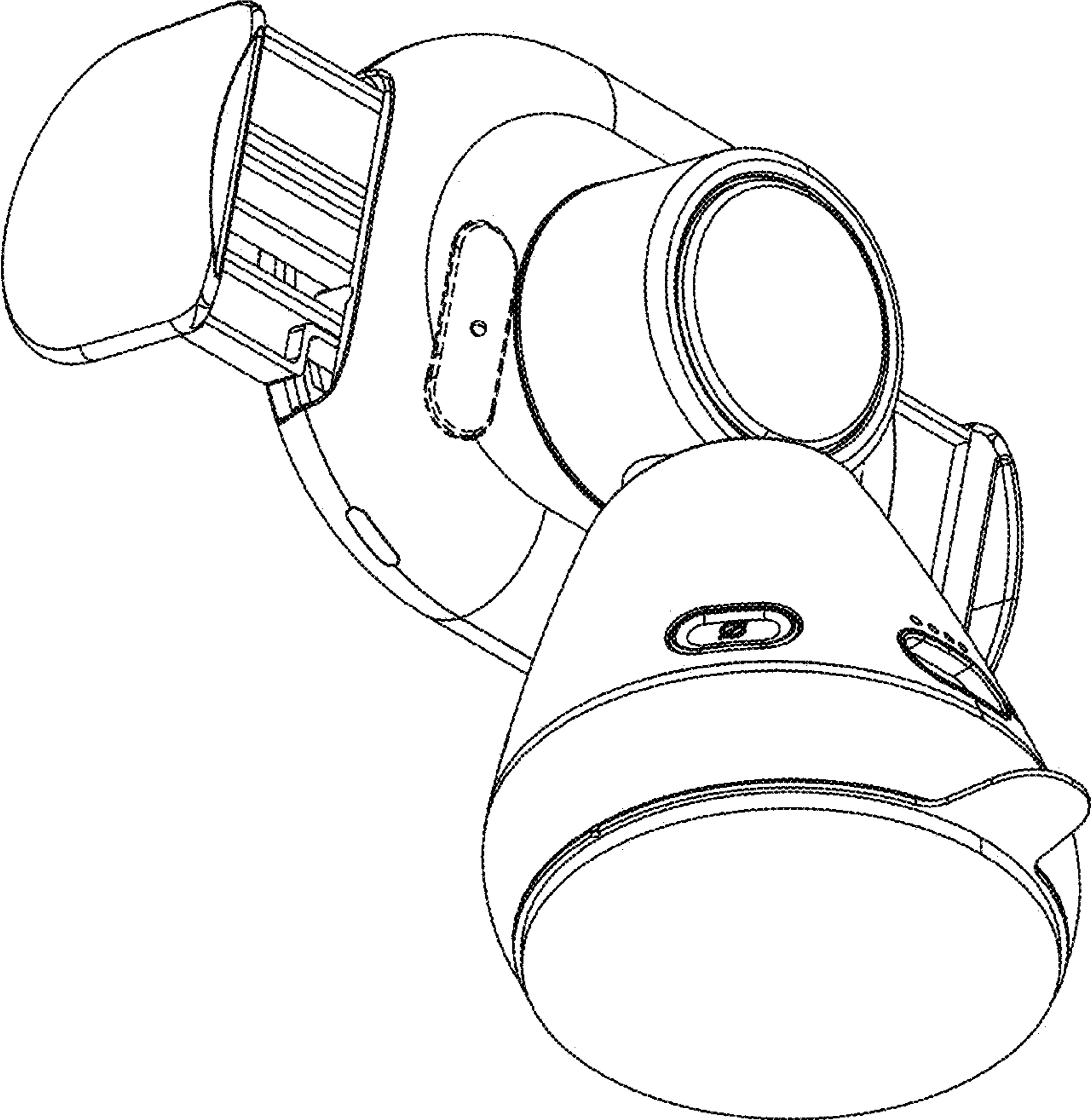


FIG. 12