

US00D939491S

(12) **United States Design Patent** (10) **Patent No.:** **US D939,491 S**
Kim (45) **Date of Patent:** **** Dec. 28, 2021**

(54) **CASE FOR ELECTRONIC COMMUNICATIONS DEVICE**

(71) Applicant: **SPIGEN KOREA CO., LTD.**, Seoul (KR)

(72) Inventor: **Seungjoo Kim**, Seoul (KR)

(73) Assignee: **SPIGEN KOREA CO., LTD.**, Seoul (KR)

(**) Term: **15 Years**

(21) Appl. No.: **29/702,956**

(22) Filed: **Aug. 22, 2019**

(51) **LOC (13) Cl.** **14-03**

(52) **U.S. Cl.**
USPC **D14/250**

(58) **Field of Classification Search**
USPC D3/201, 218, 226, 227, 247, 249, 250,
D3/269, 303; D13/103, 107, 108, 119;
(Continued)

(56) **References Cited**

U.S. PATENT DOCUMENTS

D619,361 S 7/2010 Andre
D637,589 S 5/2011 Willes et al.
(Continued)

OTHER PUBLICATIONS

Spigen Rugged Armor for Samsung Galaxy S9, publication date Mar. 15, 2018, [online][site visited Jan. 16, 2020] URL: <https://www.amazon.com/Spigen-Flexible-Durable-Absorption-Samsung/dp/B078BJQMPG> (Year: 2018).*

(Continued)

Primary Examiner — L. A. Grabenstetter

(74) *Attorney, Agent, or Firm* — Heedong Chae; Lucem, PC

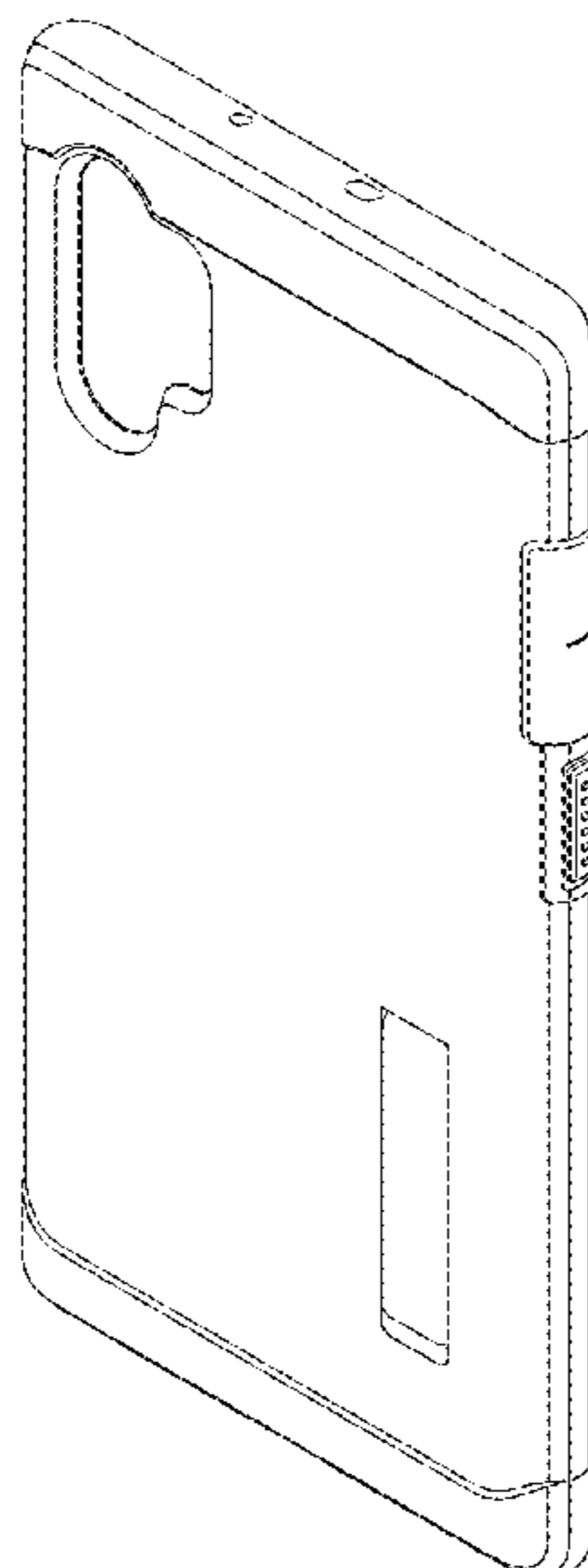
(57) **CLAIM**

The ornamental design for a case for electronic communications device, as shown and described.

DESCRIPTION

FIG. 1 is a front perspective view of a case for electronic communications device showing my new design; FIG. 2 is a rear perspective view thereof; FIG. 3 is a front elevational view thereof; FIG. 4 is a rear elevational view thereof; FIG. 5 is a left side elevational view thereof; FIG. 6 is a right side elevational view thereof; FIG. 7 is a top plan view thereof; FIG. 8 is a bottom plan view thereof; FIG. 9 is a front perspective view showing the inner shell component of the case in isolation; FIG. 10 is a rear perspective view showing the inner shell component of the case in isolation; FIG. 11 is a front perspective view showing the outer frame component of the case in isolation; FIG. 12 is a rear perspective view showing the outer frame component of the case in isolation; FIG. 13 is a front perspective view showing the kickstand component of the case in isolation; FIG. 14 is a rear perspective view showing the kickstand component of the case in isolation; FIG. 15 is an exploded front perspective view showing the components of the case separated for clarity of disclosure; and, FIG. 16 is an exploded rear perspective view showing the components of the case separated for clarity of disclosure. Although the case for electronic communications device in which the claimed design is embodied has an inner shell, an outer frame, and a kickstand component, the claim is directed to the ornamental appearance of the case in its entirety and does not extend to the ornamental appearance of each of the individual components in isolation.

1 Claim, 16 Drawing Sheets



- (58) **Field of Classification Search**
 USPC D14/137, 138 R, 138 AA, 138 C, 138 G,
 D14/172, 192, 203.3–203.7, 217, 238.1,
 D14/247, 248, 250–253, 434, 440, 447,
 D14/496
 CPC H04B 1/3888; H04M 1/0283; H04M
 1/0202; A45C 1/06; A45C 2011/002;
 A45C 11/00; A45F 2005/028; A45F
 2200/0525
 See application file for complete search history.

(56) **References Cited**

U.S. PATENT DOCUMENTS

D646,265 S	10/2011	Fathollahi	
D650,371 S	12/2011	Wibby	
D655,281 S	3/2012	Turocy	
D673,547 S	1/2013	Melanson et al.	
D679,271 S *	4/2013	Liu	D13/103
D681,615 S	5/2013	Fathollahi	
8,517,172 B1 *	8/2013	Chang	G06F 1/1626 206/320
D703,646 S	4/2014	Fathollahi	
D706,254 S	6/2014	Chang	
D718,757 S	12/2014	Jaffee	
D718,758 S	12/2014	Jaffee	
D721,360 S	1/2015	Laffon de Mazieres	
D721,694 S	1/2015	Lee et al.	
D739,394 S	9/2015	Rayner et al.	
D746,273 S	12/2015	Herbst	
D746,275 S	12/2015	Mohammad	
D749,535 S	2/2016	Joung	
D753,099 S	4/2016	Kim	
D763,841 S	8/2016	Kim	
D765,628 S	9/2016	Watt et al.	
D765,634 S	9/2016	McCray et al.	
D765,638 S	9/2016	Gaylord et al.	
D765,640 S	9/2016	Bulkley et al.	
D765,645 S	9/2016	Kim	
D771,028 S	11/2016	Kim	
D771,608 S	11/2016	Kim	
D772,209 S	11/2016	Kim	
D776,104 S	1/2017	Tien	
D776,649 S	1/2017	Kim	
D777,155 S	1/2017	Kim	
D777,156 S	1/2017	Kim	
D777,160 S	1/2017	Kim	
D777,716 S	1/2017	Kim	
D777,717 S	1/2017	Kim	
D778,897 S	2/2017	Kim	
D778,898 S	2/2017	Kim	
D780,164 S	2/2017	Lee	
D780,166 S	2/2017	Jian Ping	
D780,167 S	2/2017	Tien	
D786,233 S	5/2017	Kim	
D786,851 S	5/2017	Kim	
D786,852 S	5/2017	Kim	
D786,854 S	5/2017	Kim	
D787,491 S	5/2017	Kim	
D787,492 S	5/2017	Kim	
D788,090 S	5/2017	Kim	
D788,757 S	6/2017	Kim	
D789,344 S	6/2017	Kim	
D791,755 S	7/2017	Kim	
D792,394 S	7/2017	Lee et al.	
D797,094 S	9/2017	Kim	
D798,284 S	9/2017	Kim	
D800,713 S	10/2017	Kim	
D803,206 S	11/2017	Kim	
D806,063 S	12/2017	Kim	
D810,066 S *	2/2018	Tien	D14/250
D813,854 S	3/2018	Lee et al.	
D815,085 S	4/2018	Kim	
D819,013 S *	5/2018	Kim	D14/250
D819,014 S	5/2018	Kim	
D820,245 S *	6/2018	Kim	D14/250
D820,819 S	6/2018	Kim	

D823,293 S	7/2018	Kim et al.	
D823,296 S	7/2018	Kim et al.	
D823,297 S	7/2018	Kim et al.	
D823,298 S	7/2018	Kim et al.	
D824,376 S *	7/2018	Lee	D14/250
D827,627 S *	9/2018	Lee	D14/250
D828,346 S	9/2018	Kim et al.	
D836,623 S *	12/2018	Hyun	D14/250
D861,658 S *	10/2019	Yun	D14/250
D868,767 S *	12/2019	Kim	D14/250
D871,387 S *	12/2019	Kim	D14/250
2011/0050606 A1	3/2011	Zhang	
2015/0335116 A1	11/2015	Kim	
2016/0101902 A1	4/2016	Kim	
2016/0204817 A1	7/2016	Kim	
2016/0269516 A1	9/2016	Kim	
2016/0285301 A1	9/2016	Kim	
2016/0374443 A1	12/2016	Kim	
2017/0150792 A1	6/2017	Kim	

OTHER PUBLICATIONS

Spigen Tough Armor for Samsung Galaxy S9 Plus, publication date Jun. 10, 2018, [online][site visited Jan. 16, 2020] URL: <https://www.amazon.com/Spigen-Reinforced-Kickstand-Protection-Technology/dp/B078B69W6S> (Year: 2018).*

Olixar Flexishield Samsung Galaxy Note 10 Plus Gel Case—Blue, publication date Jun. 20, 2019, [online][site visited Jan. 15, 2020] URL: <https://www.mobilefun.com/olixar-flexishield-samsung-galaxy-note-10-plus-gel-case-blue-74372> (Year: 2019).*

Olixar cases suggest Galaxy Note 10 could have a headphone jack, web archive confirmed availability date Jun. 21, 2019, [online][site visited Apr. 27, 2020] URL: <https://www.sammobile.com/news/galaxy-note-10-olixar-cases-headphone-jack> (Year: 2019).*

“Spigen Slim Armor iPhone 5S/SE/5 Case with Advanced Drop Protection and Dual Layer Design for iPhone 5S/iPhone SE/iPhone 5—Metal Slate”, <https://www.amazon.com/dp/B00DD62R40>, Earliest review date of Dec. 14, 2012, Downloaded on Sep. 18, 2018.

“Spigen Slim Armor View Galaxy S4 Case with Automatic Sleep / Wake Feature for Galaxy S4 2013—Soul Black”, <https://www.amazon.com/dp/B00DCCVS5Y>, Earliest review date of Mar. 18, 2013, Downloaded on Feb. 19, 2019.

“Spigen Slim Armor Nexus 5 Case with Air Cushion Technology and Hybrid Drop Protection for Nexus 5 2013—Infinity White”, <https://www.amazon.com/dp/B00EV8Y7XI>, Earliest review date of Nov. 4, 2013, Downloaded on Jan. 16, 2019.

“Spigen Slim Armor View Galaxy S5 Case with Automatic Sleep / Wake Feature for Samsung Galaxy S5 2014—View Smooth White”, <https://www.amazon.com/dp/B00KGG02EI>, Earliest review date of Jan. 18, 2014, Downloaded on Jan. 16, 2019.

“Spigen Slim Armor Galaxy S5 Case with Air Cushion Technology and Hybrid Drop Protection for Samsung Galaxy S5 2014—Metal Slate”, <https://www.amazon.com/dp/B00I3UWD7C>, Earliest review date of Apr. 11, 2014, Downloaded on Sep. 18, 2018.

“Spigen Slim Armor LG G3 Case with Air Cushion Technology and Hybrid Drop Protection for LG G3 2014—Metal Slate”, <https://www.amazon.com/dp/B00JQI2G5O>, Earliest review date of Jul. 9, 2014, Downloaded on Jan. 16, 2019.

“Spigen Slim Armor iPhone 6 Case with Air Cushion Technology and Hybrid Drop Protection for iPhone 6 2014—Gunmetal”, <https://www.amazon.com/dp/B00JH88GB6>, Earliest review date of Aug. 13, 2014, Downloaded on Sep. 18, 2018.

“Spigen Slim Armor iPhone 6 Plus Case with Air Cushion Technology and Hybrid Drop Protection for iPhone 6S Plus/iPhone 6 Plus—Shimmery White”, <https://www.amazon.com/dp/B00JH83C6U>, Earliest review date of Sep. 12, 2014, Downloaded on Sep. 18, 2018.

“Spigen Slim Armor Galaxy Note 4 Case with Air Cushion Technology and Hybrid Drop Protection for Samsung Galaxy Note 4 2014—Shimmery White”, <https://www.amazon.com/dp/B00MAWQPJQ>, Earliest review date of Oct. 7, 2014, Downloaded on Jul. 30, 2018.

(56)

References Cited

OTHER PUBLICATIONS

“Spigen Slim Armor Galaxy S6 Case with Air Cushion Technology and Hybrid Drop Protection with Kickstand for Samsung Galaxy S6 (2015)—Shimmery White”, <https://www.amazon.com/dp/B00QU4NQMY>, Earliest review date of Mar. 21, 2015, Downloaded on Sep. 18, 2018.

“Spigen Slim Armor HTC One M9 Case with Kickstand and Air Cushion Technology Hybrid Drop Protection for HTC One M9 2015—Metal Slate”, <https://www.amazon.com/dp/B00SNOTASI>, Earliest review date of Mar. 31, 2015, Downloaded on Jan. 16, 2019.

Spigen Slim Armor Galaxy S6 Edge Case with Kickstand and Air Cushion Technology and Hybrid Drop Protection for Galaxy S6 Edge 2015—Gunmetal, <https://www.amazon.com/dp/B00SV638ZE>, Earliest review date of Apr. 3, 2015, Downloaded on Sep. 18, 2018.

“Spigen Slim Armor Galaxy Note 5 Case with Air Cushion Technology and Hybrid Drop Protection for Galaxy Note 5 2015—Metal Slate”, <https://www.amazon.com/dp/B010MWHIKA>, Earliest review date of Aug. 21, 2015, Downloaded on Jul. 18, 2018.

“Spigen Slim Armor iPhone 6S Case with Kickstand and Air Cushion Technology Hybrid Drop Protection for iPhone 6S 2015—Rose Gold”, <https://www.amazon.com/dp/B012PKFAQ6>, Earliest review date of Sep. 1, 2015, Downloaded on Sep. 18, 2018.

Korguenkomodo, “Slim Armor case—Galaxy S6 Edge Plus”, Published on Oct. 12, 2015, Downloaded on Mar. 19, 2019.

“Spigen Slim Armor LG V10 Case with Air Cushion Technology and Hybrid Drop Protection for LG V10—Gunmetal”, <https://www.amazon.com/dp/B016X1FODW>, Earliest review date of Nov. 16, 2015, Downloaded on Sep. 18, 2018.

“Spigen Slim Armor Galaxy S7 Edge Case with Kickstand and Air Cushion Technology and Hybrid Drop Protection for Samsung Galaxy S7 Edge 2016—Champagne Gold”, <https://www.amazon.com/dp/B01BEBBWY6>, Earliest review date of Feb. 26, 2016, Downloaded on Sep. 18, 2018.

“Spigen Slim Armor Galaxy S7 Case with Air Cushion Technology and Hybrid Drop Protection for Samsung Galaxy S7 2016—Violet”, <https://www.amazon.com/dp/B01AUR1D8K>, Earliest review date of Mar. 2, 2016, Downloaded on Sep. 18, 2018.

“Spigen Slim Armor iPhone SE Case with Air Cushion Technology and Hybrid Drop Protection for iPhone SE 2016—Rose Gold”, <https://www.amazon.com/dp/B01BEJOH5E>, Earliest review date of Apr. 6, 2016, Downloaded on Jan. 16, 2019.

“Spigen Slim Armor LG G5 Case with Air Cushion Technology and Hybrid Drop Protection for LG G5 2016—Shimmery White”, <https://www.amazon.com/dp/B01B1GQIHA>, Earliest review date of Apr. 7, 2016, Downloaded on Sep. 18, 2018.

“Spigen Slim Armor HTC 10 Case with Kickstand and Air Cushion Technology Hybrid Drop Protection for HTC 10 2016—Champagne Gold”, <https://www.amazon.com/dp/B01DAN2WTA>, Earliest review date of May 6, 2016, Downloaded on Jan. 16, 2019.

“Spigen Slim Armor iPhone 7 / iPhone 8 Case with Kickstand and Air Cushion Technology Hybrid Drop Protection for Apple iPhone 7 (2016) / iPhone 8 (2017)—Black”, <https://www.amazon.com/dp/B01HMY5WKY>, Earliest review date of Sep. 12, 2016, Downloaded on Sep. 18, 2018.

“Spigen Slim Armor iPhone 7 Plus Case with Kickstand and Air Cushion Technology Hybrid Drop Protection for Apple Phone 7 Plus (2016)—Black”, <https://www.amazon.com/dp/B01HMY5Y3E>, Earliest review date of Sep. 22, 2016, Downloaded on Jan. 16, 2019.

“Spigen Slim Armor Google Pixel XL Case with Kickstand and SF Coated Non Slip Matte Surface and Air Cushion Technology Protection for Google Pixel XL 2016—Black”, <http://www.amazon.com/dp/B01M0FIVZ3>, Earliest review date of Oct. 20, 2016, downloaded on Jan. 16, 2019.

“Spigen Slim Armor LG G6 Case with Air Cushion Technology and Hybrid Drop Protection for LG G6 (2017)—Champagne Gold”, <http://www.amazon.com/dp/B01N1395SE>, Earliest review date of Mar. 25, 2017, downloaded on Sep. 18, 2018.

“Spigen Slim Armor Galaxy A5 2017 Case with Air Cushion Technology and Hybrid Drop Protection with Kickstand for Samsung Galaxy A5 2017—Metal Slate”, <http://www.amazon.com/dp/B01MTA3AAN>, Earliest review date of Apr. 1, 2017, downloaded on Sep. 18, 2018.

“Spigen Slim Armor Galaxy S8 Plus Case with Air Cushion Technology and Hybrid Drop Protection for Galaxy S8 Plus (2017)—Orchid Gray”, <http://www.amazon.com/dp/B0716CZ3Z1>, Earliest review date of Apr. 8, 2017, downloaded on Jul. 18, 2018.

“Spigen Slim Armor S8 Case with Air Cushion Technology and Hybrid Drop Protection for Samsung S8 (2017)—Black”, <http://www.amazon.com/dp/B01LP5XLOK>, Earliest review date of Apr. 22, 2017, downloaded on Sep. 18, 2018.

“Spigen Slim Armor Galaxy Note P Case with Air Cushion Technology and Hybrid Drop Protection for Galaxy Note P (2017)—Metal Slate”, <https://www.amazon.com/Spigen-Galaxy-Cushion-Technology-Protection/dp/B073RWL7WP>, Earliest review date of Nov. 28, 2017, downloaded on Jan. 16, 2019.

“Spigen Slim Armor iPhone A Case with Air Cushion Technology and Hybrid Drop Protection for iPhone A (2017)—Rose Gold”, <https://www.amazon.com/Spigen-Apple-iPhone-Slim-Armor/dp/B074CMJY4J>, Earliest review date of Feb. 14, 2018, downloaded on Jan. 16, 2019.

“Spigen SGP10864 LG G3 Sgp Slim Armor Case—Smooth Black”, <https://www.amazon.com/Spigen-SGP10864-Slim-Armor-Case/dp/B019PB15GM>, Earliest review date of Jul. 23, 2018, downloaded on Jan. 16, 2019.

“Spigen Slim Armor Crystal Shockproof Dual Layered Cover Case for the LG G7 ThinQ (Crystal Clear)”, <https://www.amazon.com/Spigen-Armor-Crystal-Shockproof-Layered/dp/B078RDR864>, Earliest review date of Aug. 3, 2018, downloaded on Jan. 16, 2019.

* cited by examiner

FIG. 1

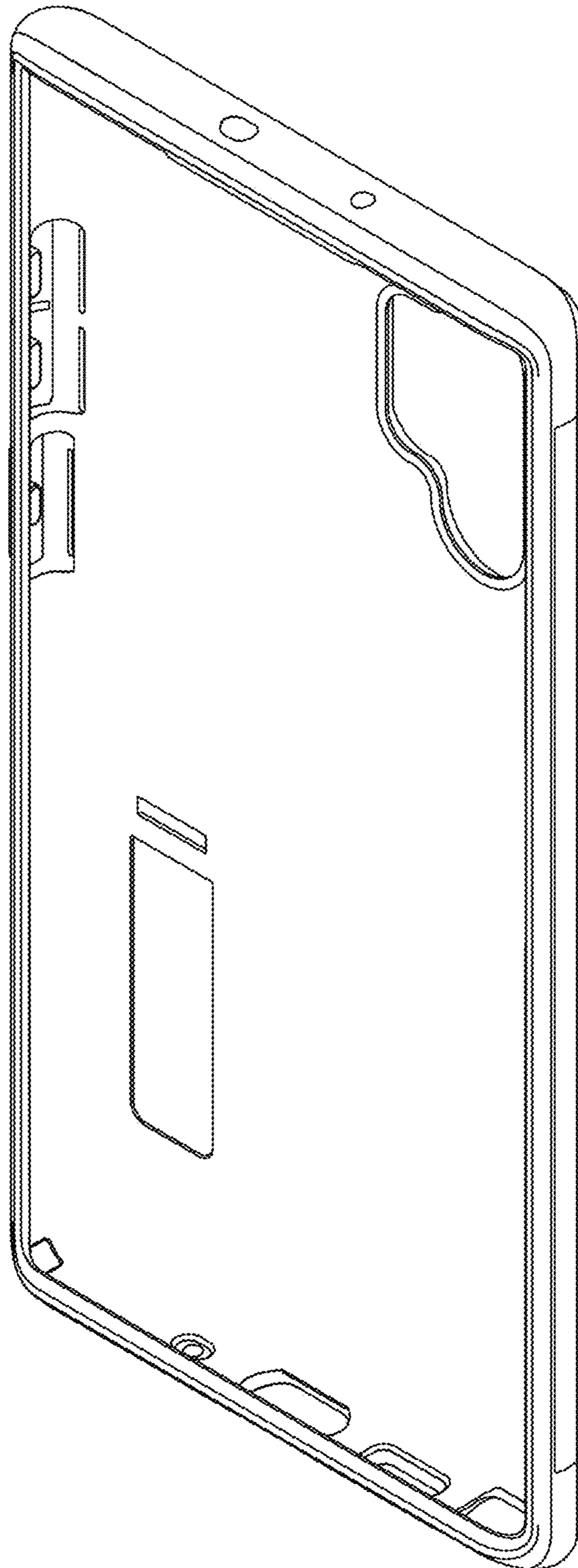


FIG. 2

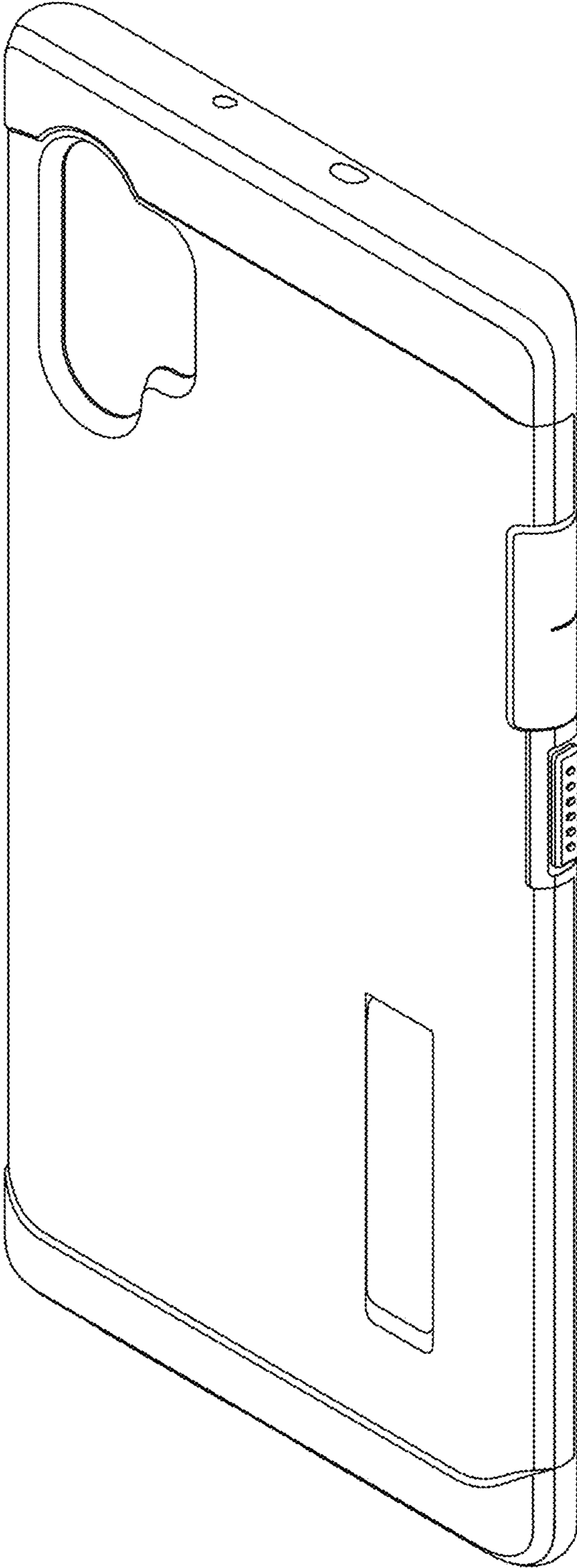


FIG. 3

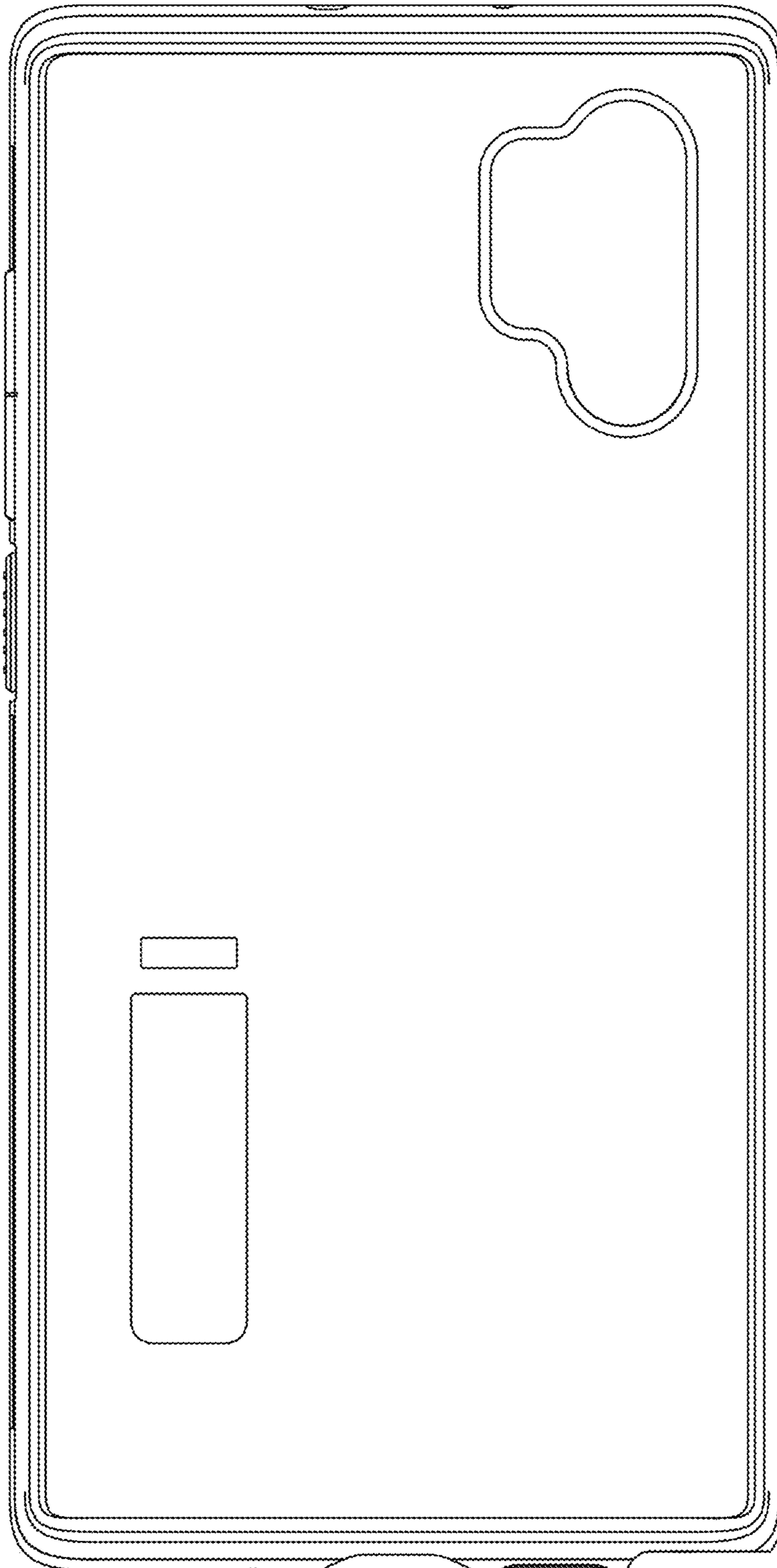


FIG. 4

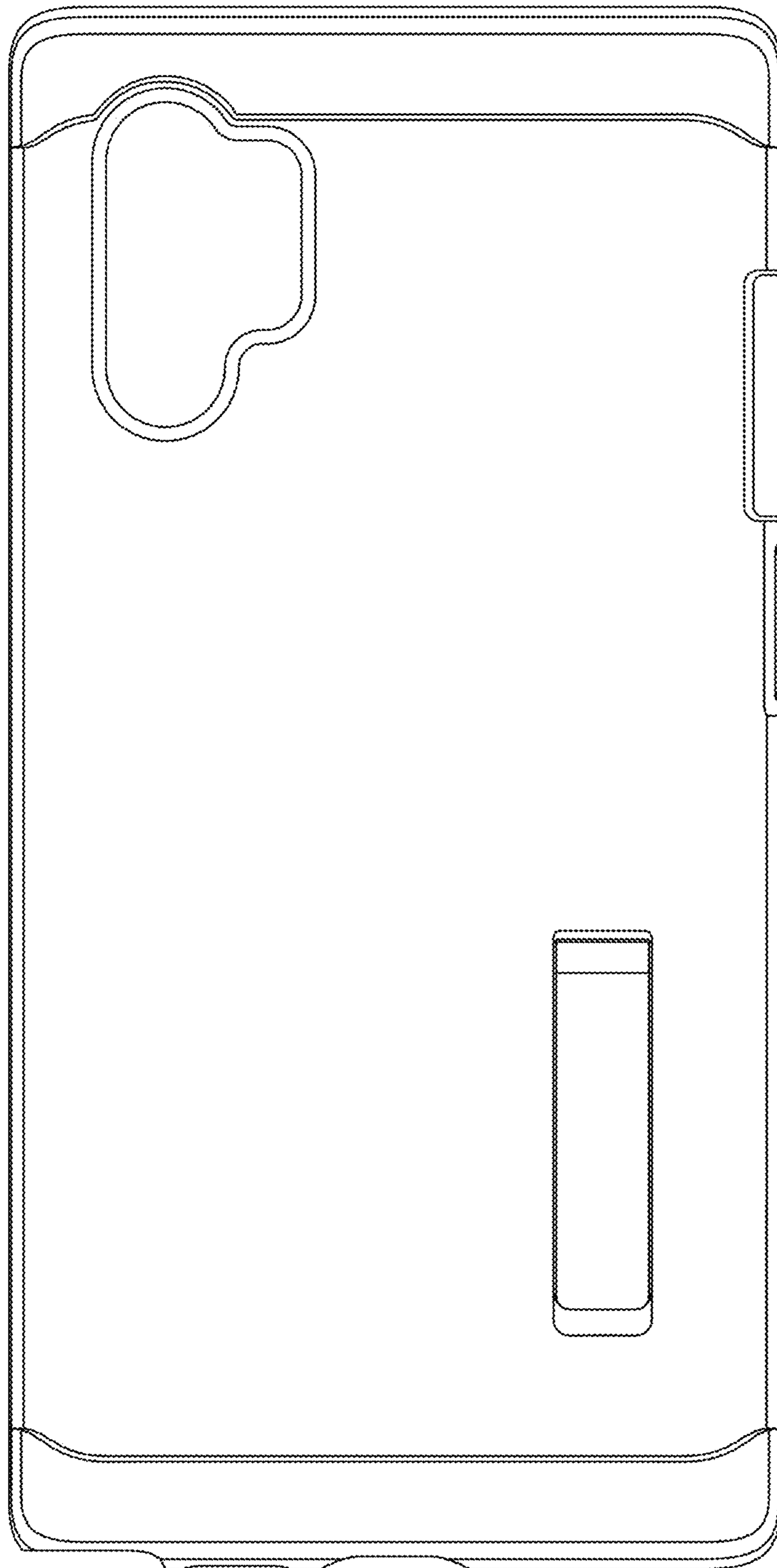


FIG. 5

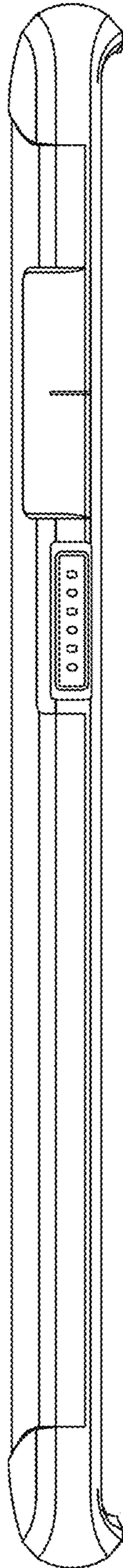


FIG. 6

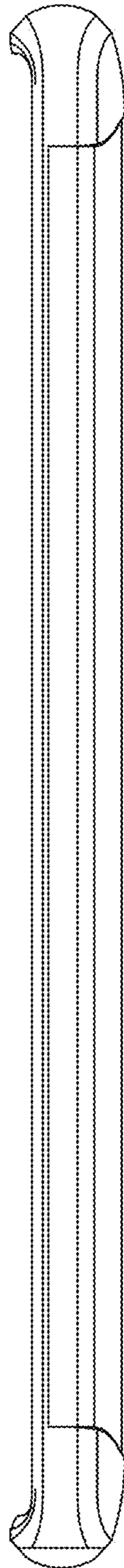


FIG. 7

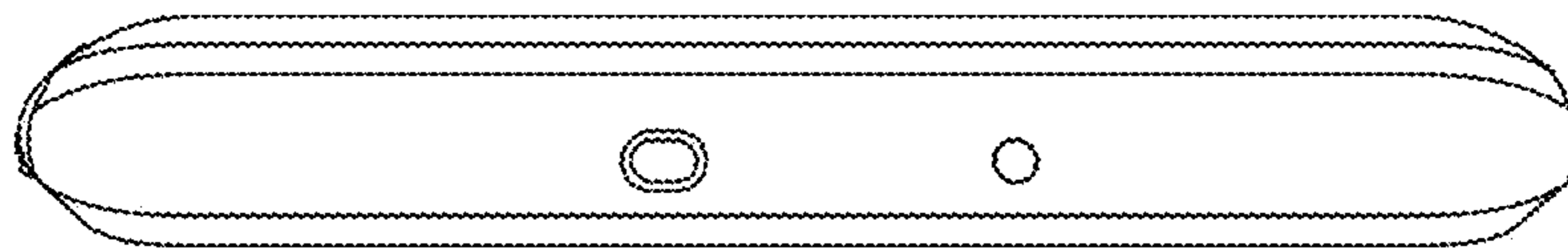


FIG. 8

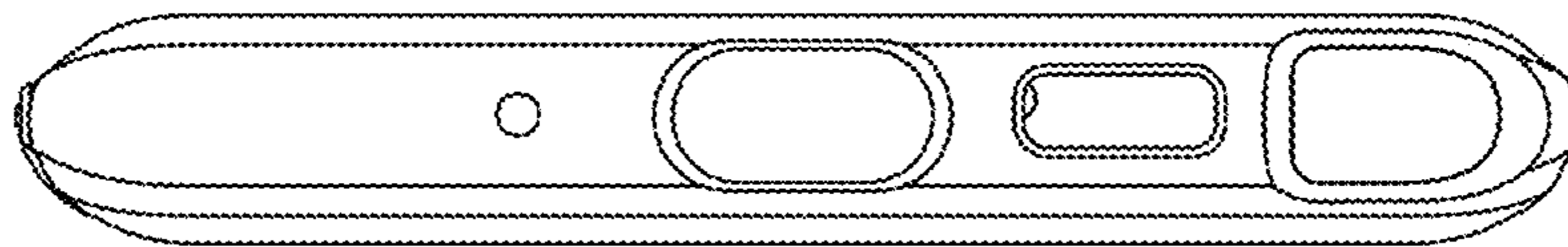


FIG. 9

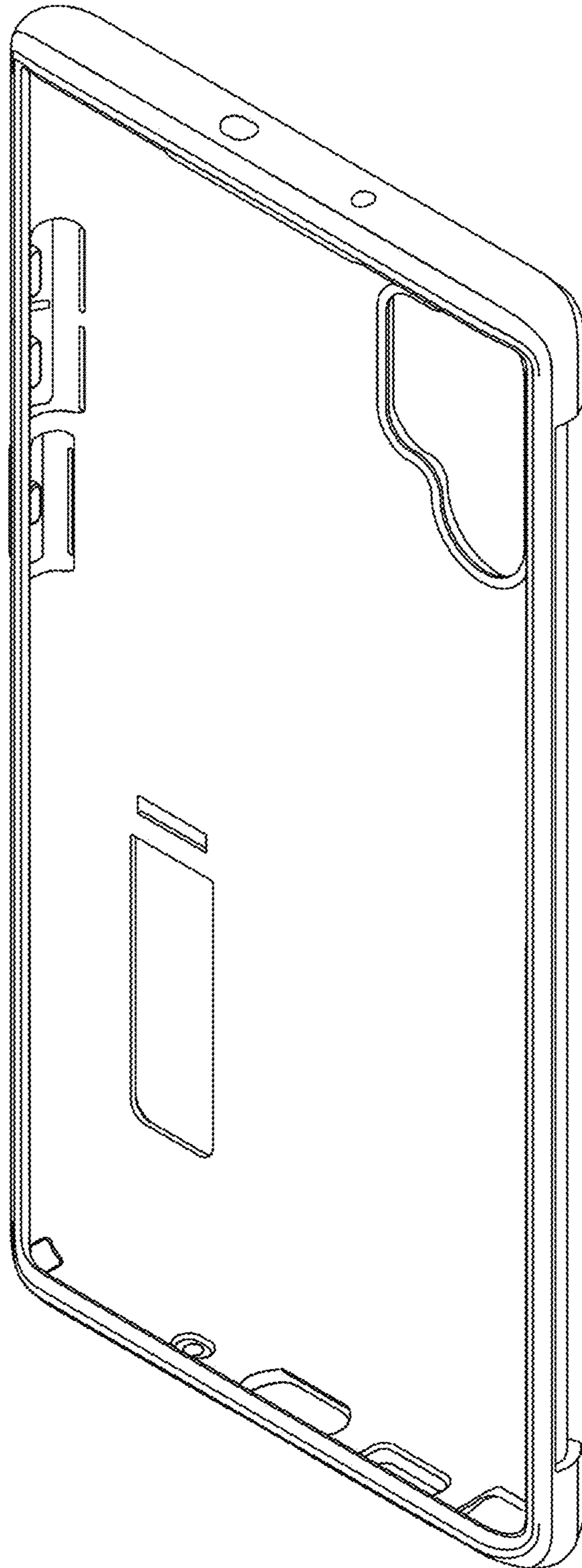


FIG. 10

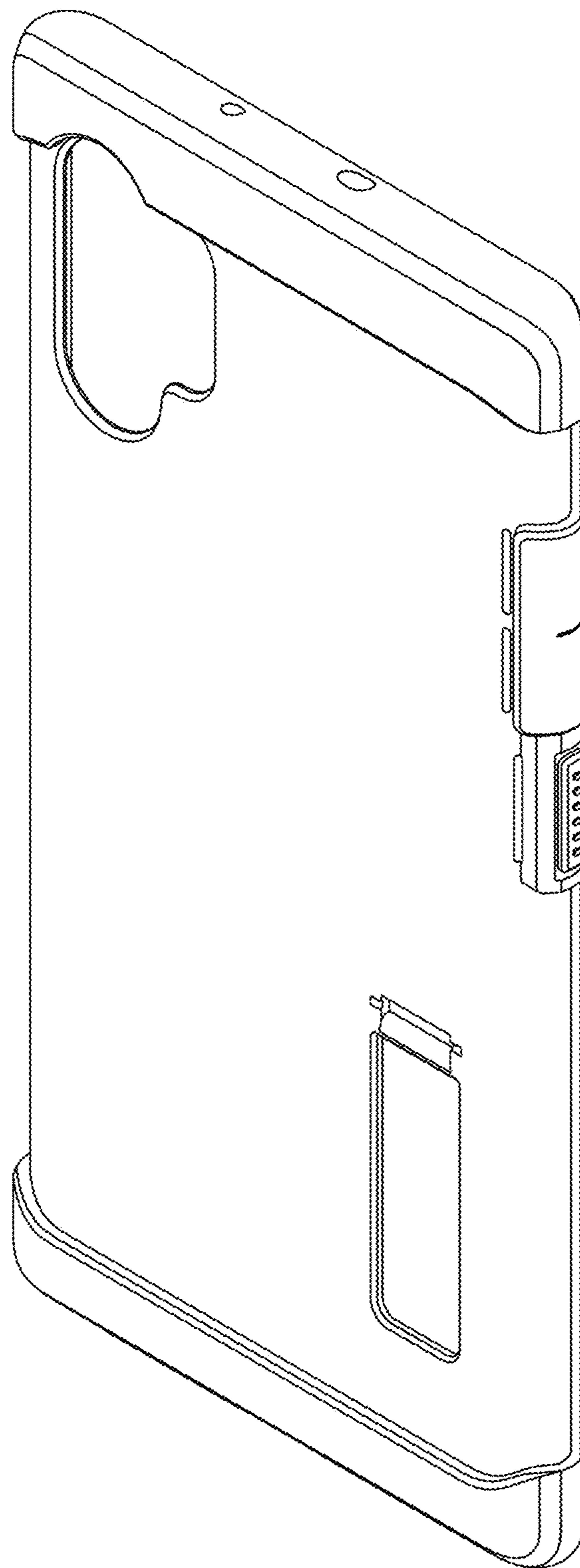


FIG. 11

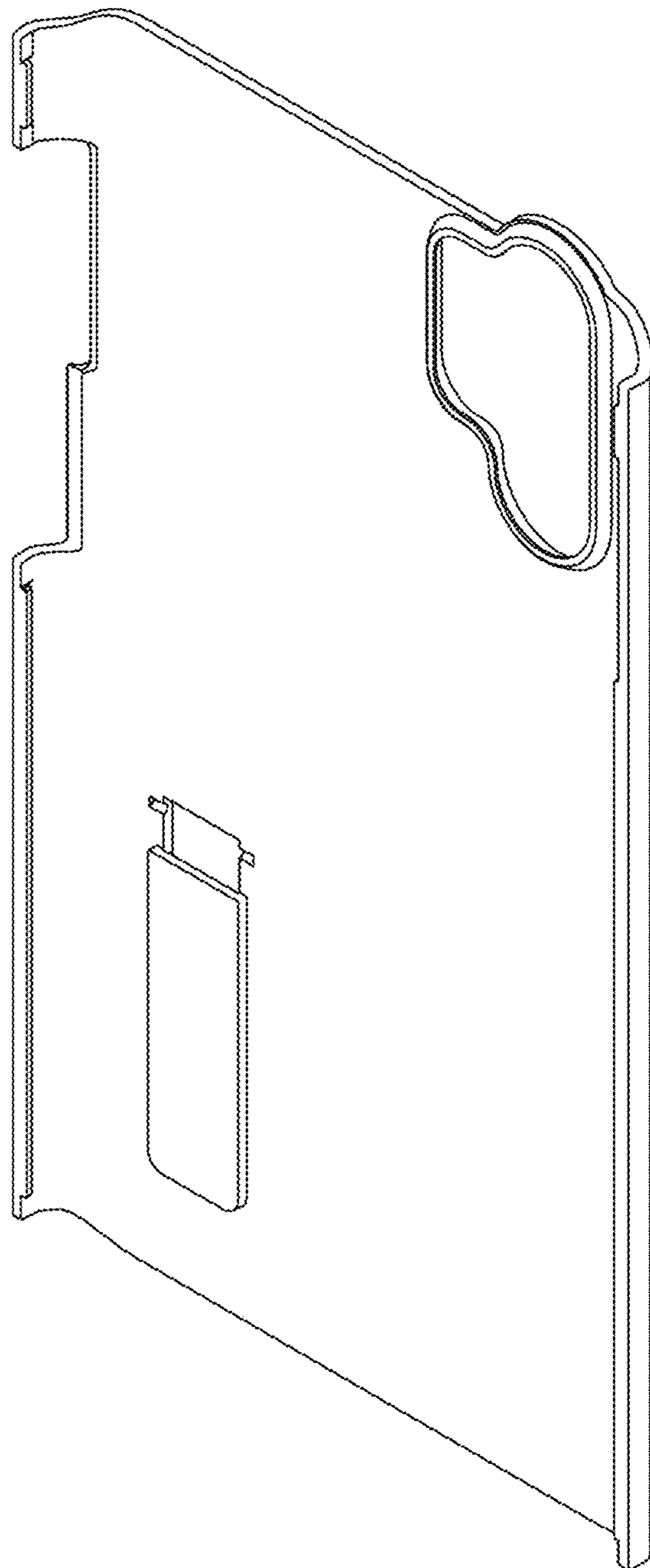


FIG. 12

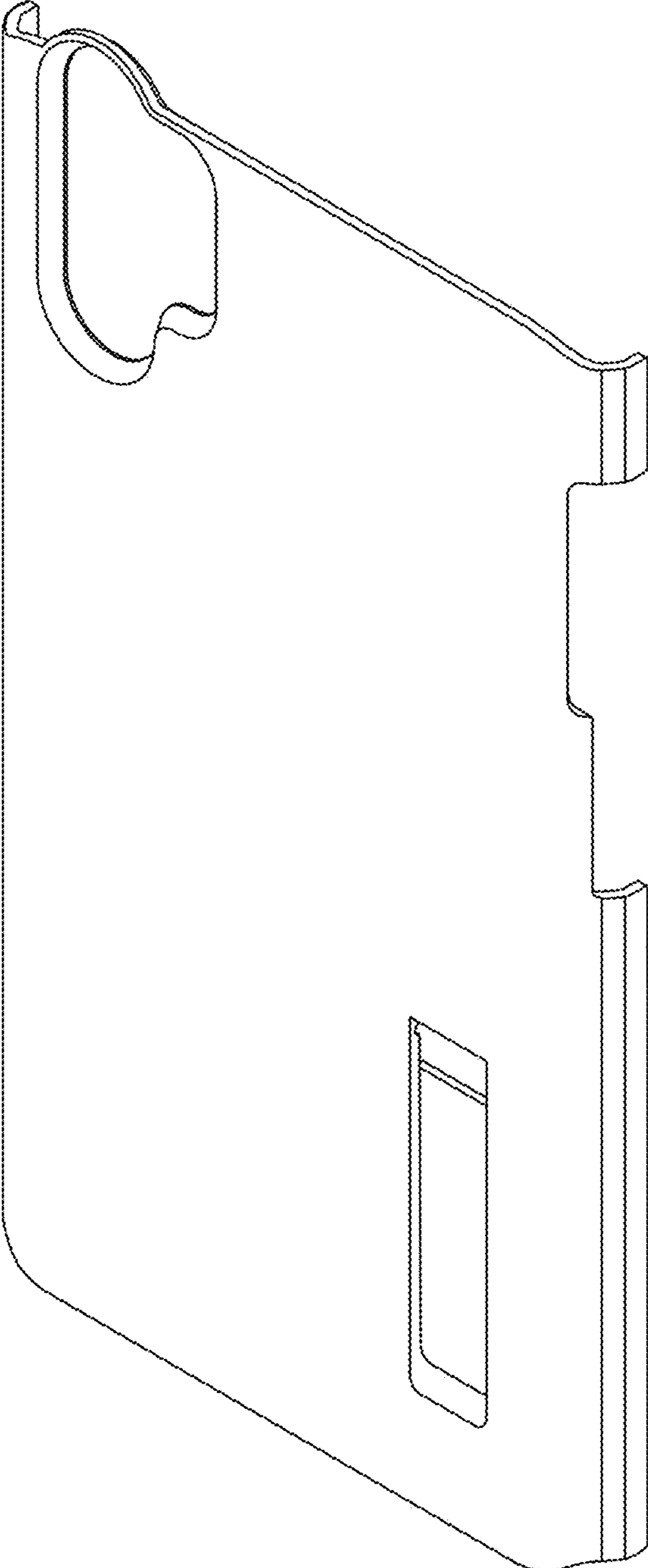


FIG. 13

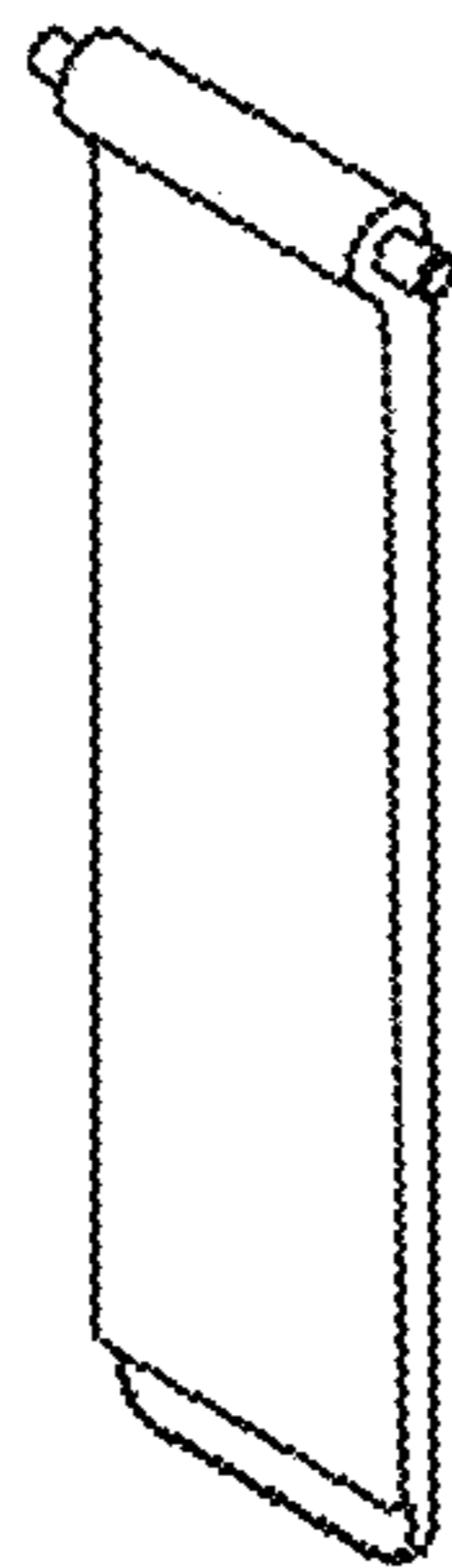


FIG. 14

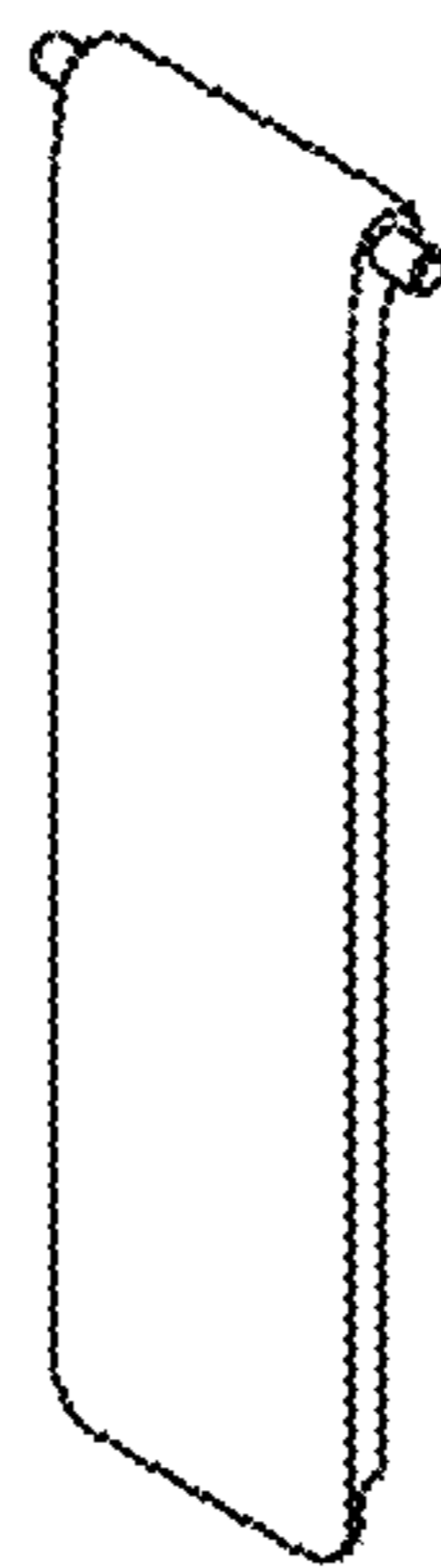


FIG. 15

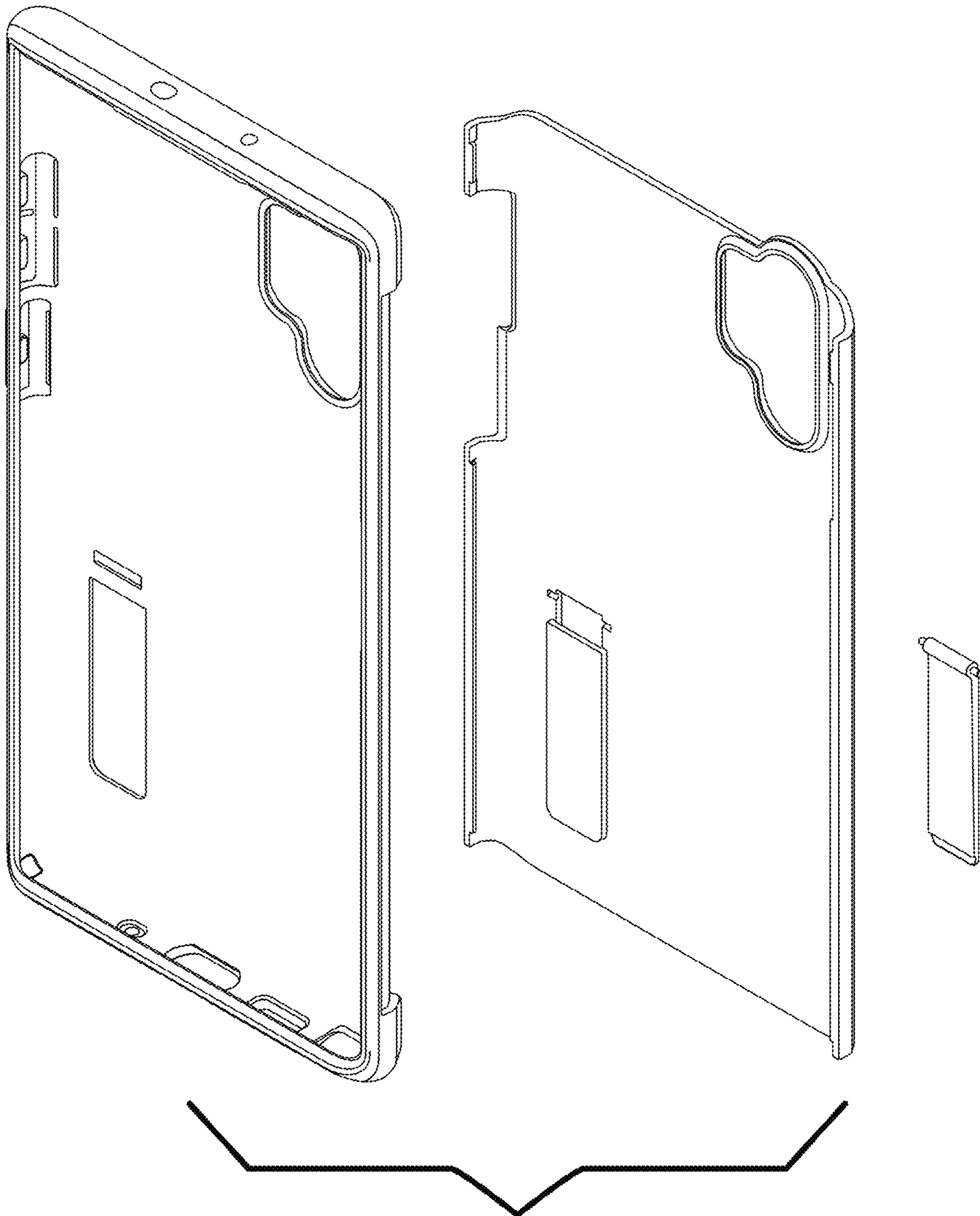


FIG. 16

