



US00D939488S

(12) **United States Design Patent**  
**Jeong et al.**

(10) **Patent No.:** **US D939,488 S**

(45) **Date of Patent:** **\*\* Dec. 28, 2021**

(54) **CASE FOR MOBILE PHONE**

(71) Applicant: **Samsung Electronics Co., Ltd.**,  
Suwon-si (KR)

(72) Inventors: **Woohyeok Jeong**, Seoul (KR);  
**Byoungjin Kim**, Seoul (KR); **Eunsoo Kim**,  
Seongnam-si (KR); **Junyong Song**,  
Seongnam-si (KR)

(73) Assignee: **SAMSUNG ELECTRONICS CO., LTD.**,  
Suwon-si (KR)

(\*\*) Term: **15 Years**

(21) Appl. No.: **29/668,545**

(22) Filed: **Oct. 31, 2018**

(30) **Foreign Application Priority Data**

May 4, 2018 (KR) ..... 30-2018-0020867

(51) **LOC (13) Cl.** ..... **14-03**

(52) **U.S. Cl.**  
USPC ..... **D14/250**

(58) **Field of Classification Search**

USPC ..... D3/201, 206, 212, 218, 226, 227, 247,  
D3/249, 250, 269, 303; D13/103, 107,  
D13/108, 119; D14/137, 138 R, 138 AA,  
D14/138 C, 138 G, 172, 192,  
D14/203.3-203.7, 217, 238.1, 247, 248,  
D14/250-253, 432, 434, 440, 447, 496  
CPC ..... H04B 1/3888; H04M 1/0283;  
H04M 1/0202; A45C 1/06; A45C  
2011/002; A45C 11/00; A45F 2005/028;  
A45F 2200/0525

See application file for complete search history.

(56) **References Cited**

**U.S. PATENT DOCUMENTS**

D716,286 S \* 10/2014 Ahn ..... D14/250  
D762,205 S \* 7/2016 Dang ..... D14/250

D763,839 S \* 8/2016 Shin ..... D14/250  
D769,857 S \* 10/2016 Shin ..... D14/250  
D777,159 S \* 1/2017 Lee ..... D14/250  
D777,421 S \* 1/2017 Grote ..... D3/218  
D781,278 S \* 3/2017 Kim ..... D14/250  
D794,008 S \* 8/2017 Lee ..... D14/250  
D794,009 S \* 8/2017 Lee ..... D14/250  
D794,627 S \* 8/2017 Roberts ..... D14/250  
D805,064 S \* 12/2017 Lee ..... D14/250  
D819,007 S \* 5/2018 Kim ..... D14/250  
D822,989 S \* 7/2018 Persson ..... D3/249  
D843,365 S \* 3/2019 Kim ..... D14/250  
D859,389 S \* 9/2019 Kim ..... D14/250

\* cited by examiner

*Primary Examiner* — L. A. Grabenstetter

(74) *Attorney, Agent, or Firm* — McAndrews Held & Malloy, Ltd.

(57) **CLAIM**

The ornamental design for a case for mobile phone, as shown and described.

**DESCRIPTION**

FIG. 1 is a front perspective view of a case for mobile phone showing our new design;  
FIG. 2 is a front elevation view thereof;  
FIG. 3 is a rear elevation view thereof;  
FIG. 4 is a left side elevation view thereof;  
FIG. 5 is a right side elevation view thereof;  
FIG. 6 is a top plan view thereof;  
FIG. 7 is a bottom plan view thereof;  
FIG. 8 is a rear perspective view thereof; and,  
FIG. 9 is an enlarged view of the encircled portion as illustrated in FIG. 1.

The dot-dot-dash broken lines in FIGS. 1 and 9, encircling a portion of the claimed design that is illustrated in an enlarged view, form no part of the claimed design.

**1 Claim, 9 Drawing Sheets**

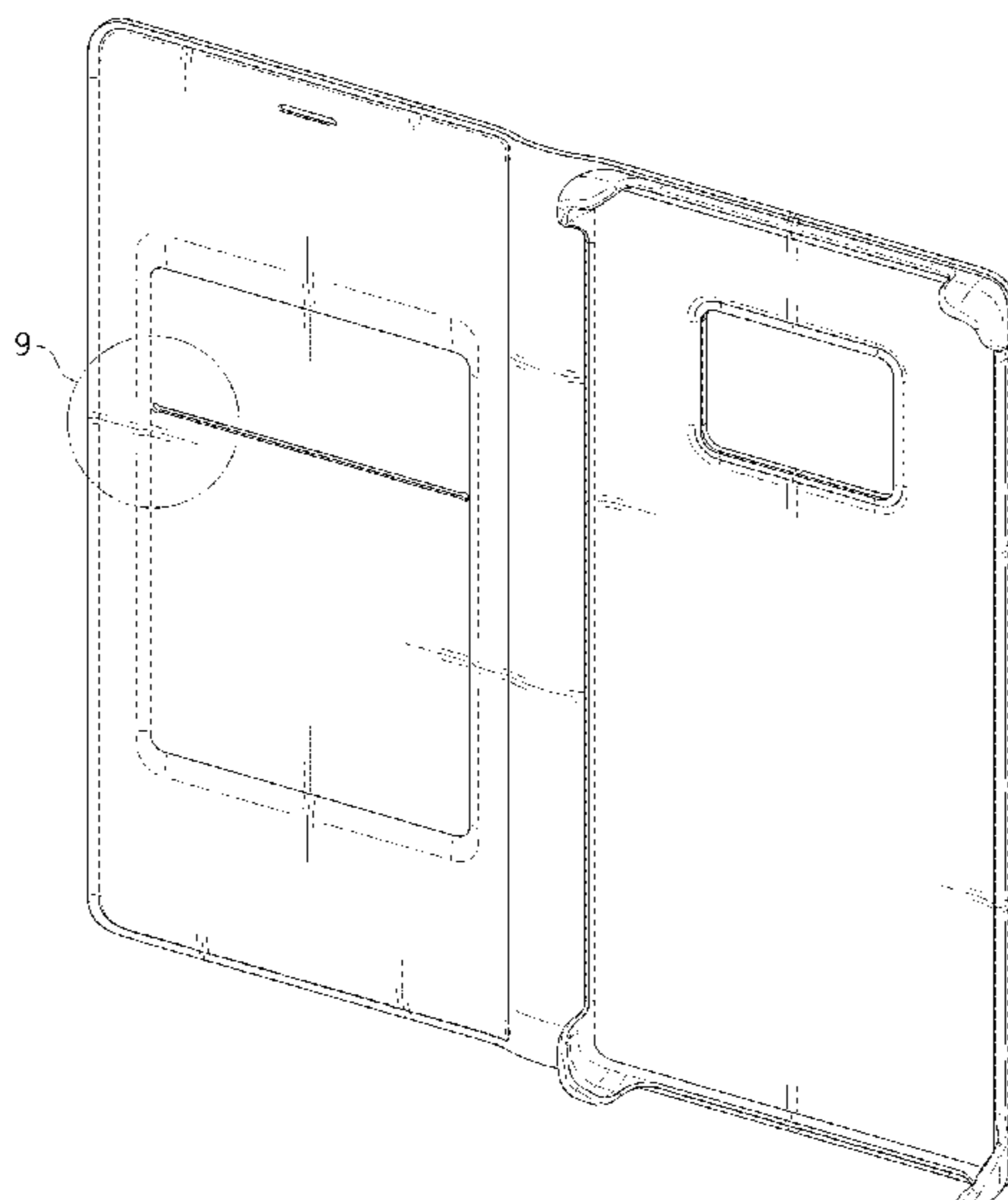


FIG. 1

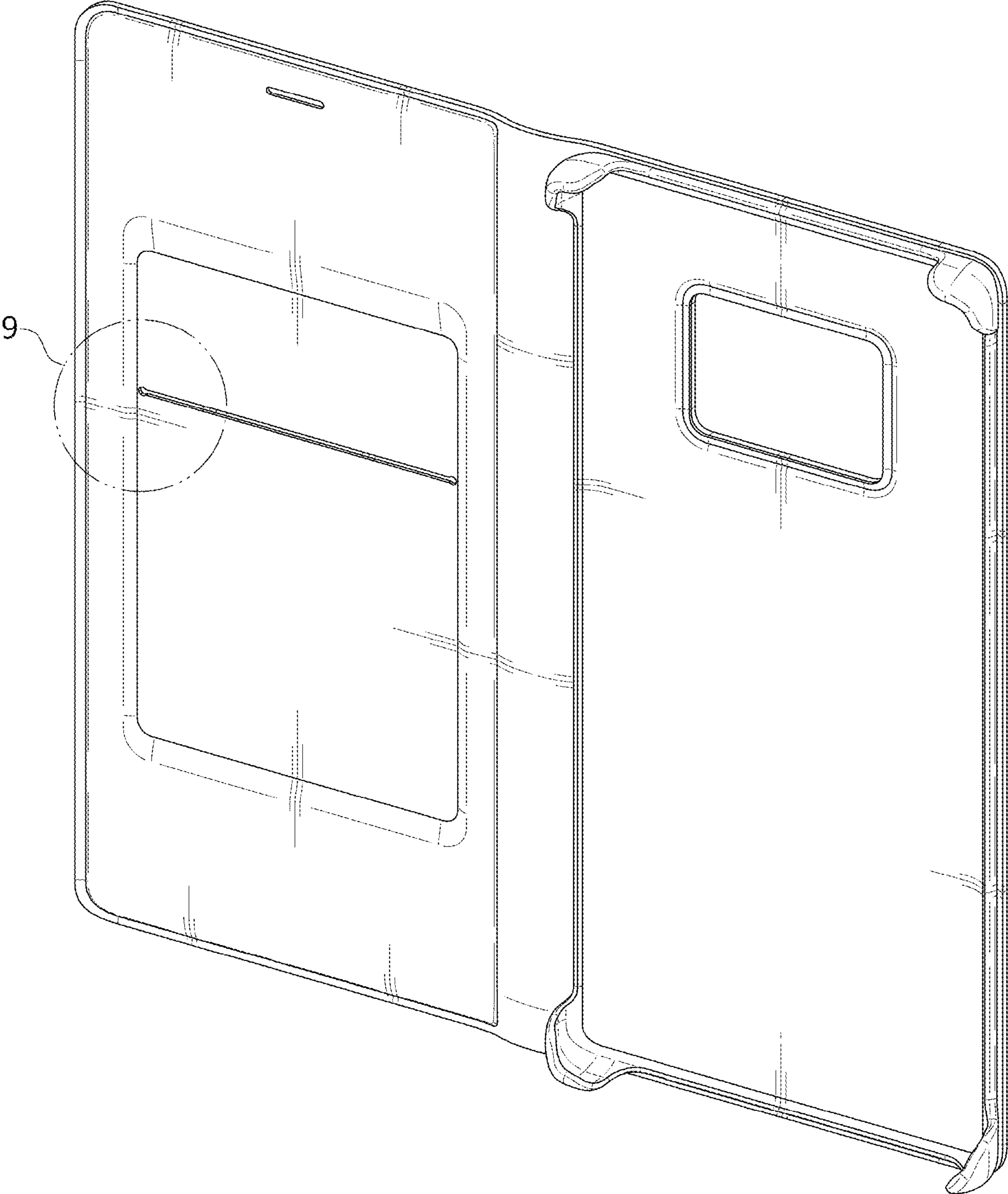


FIG. 2

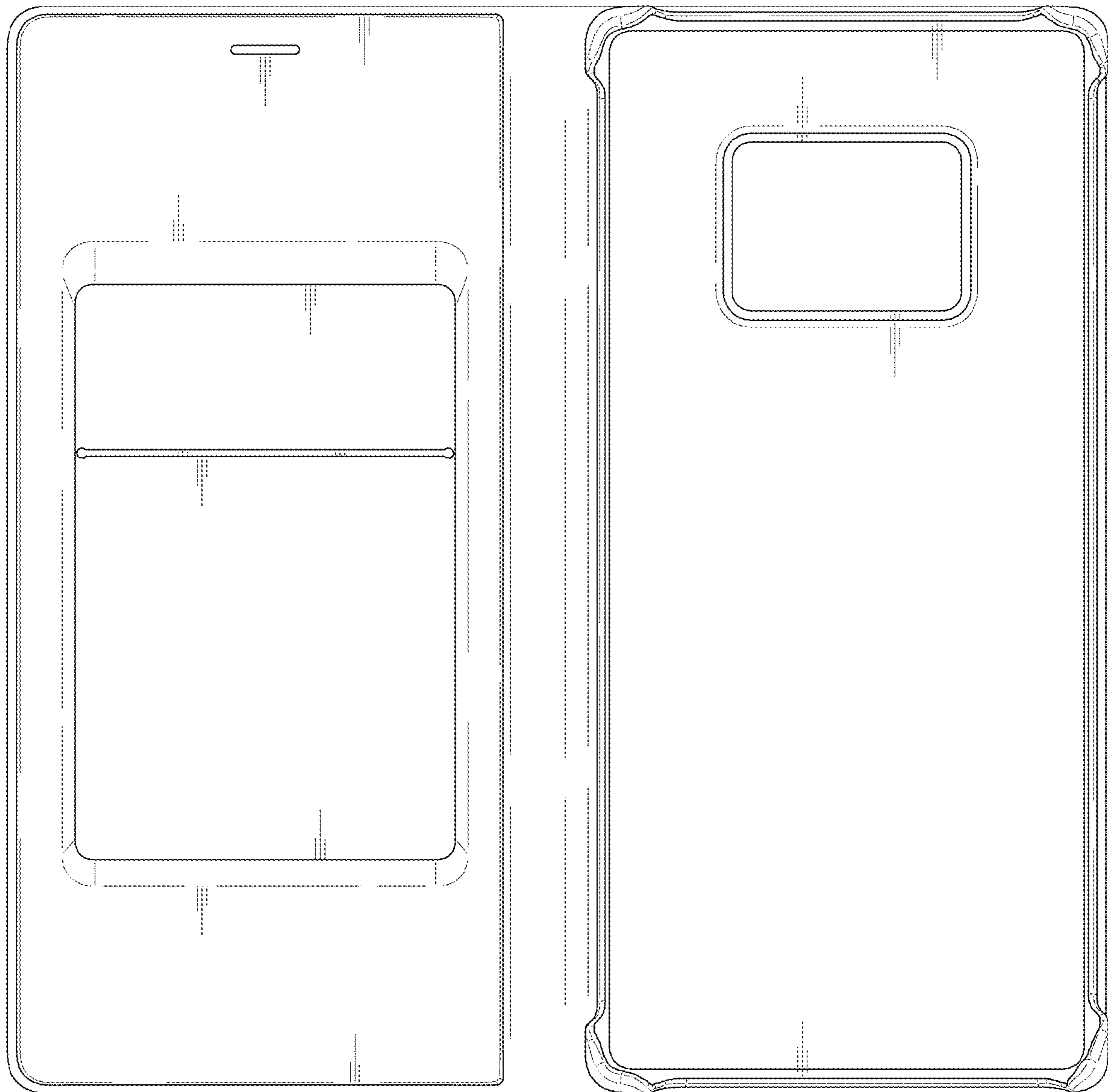


FIG. 3

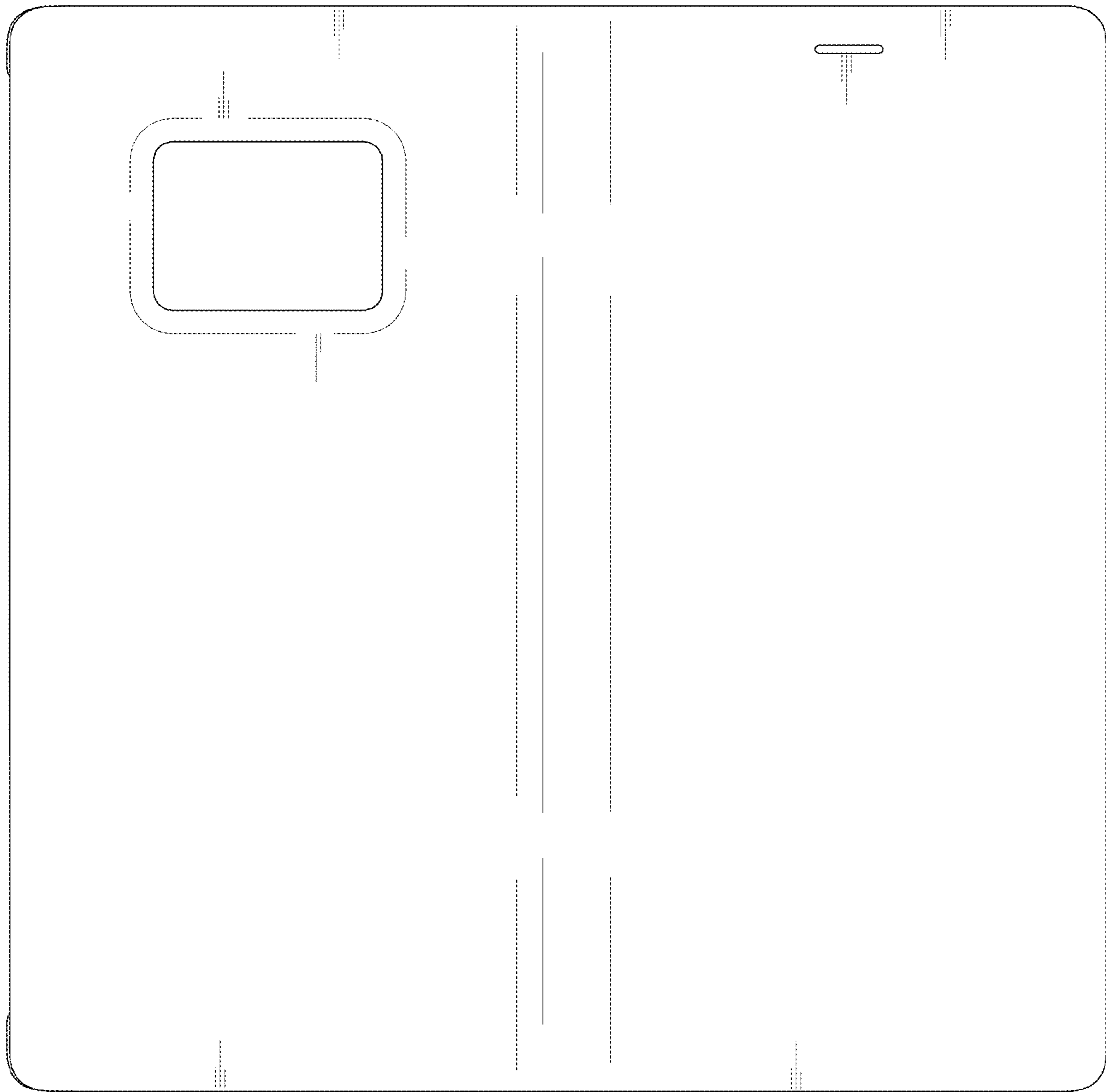


FIG. 4

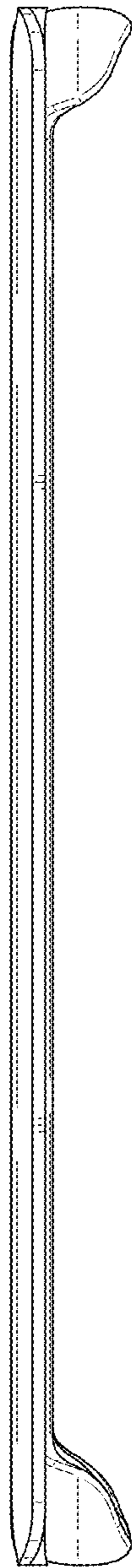


FIG. 5

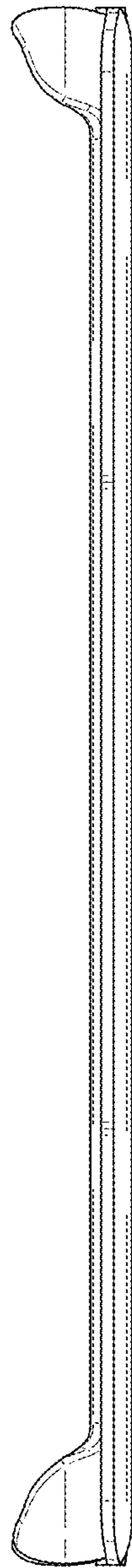


FIG. 6

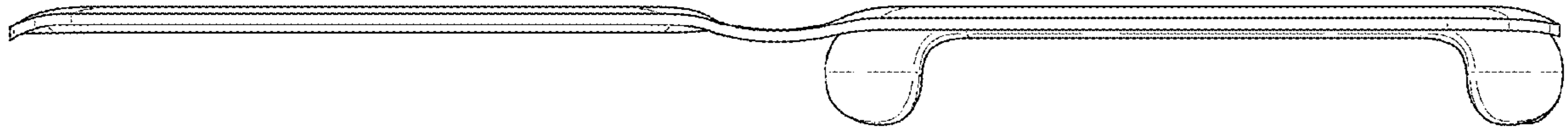


FIG. 7

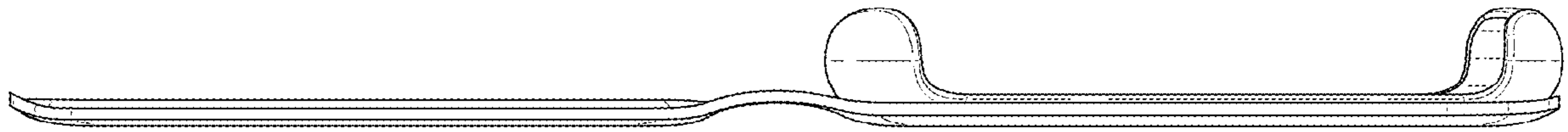




FIG. 8

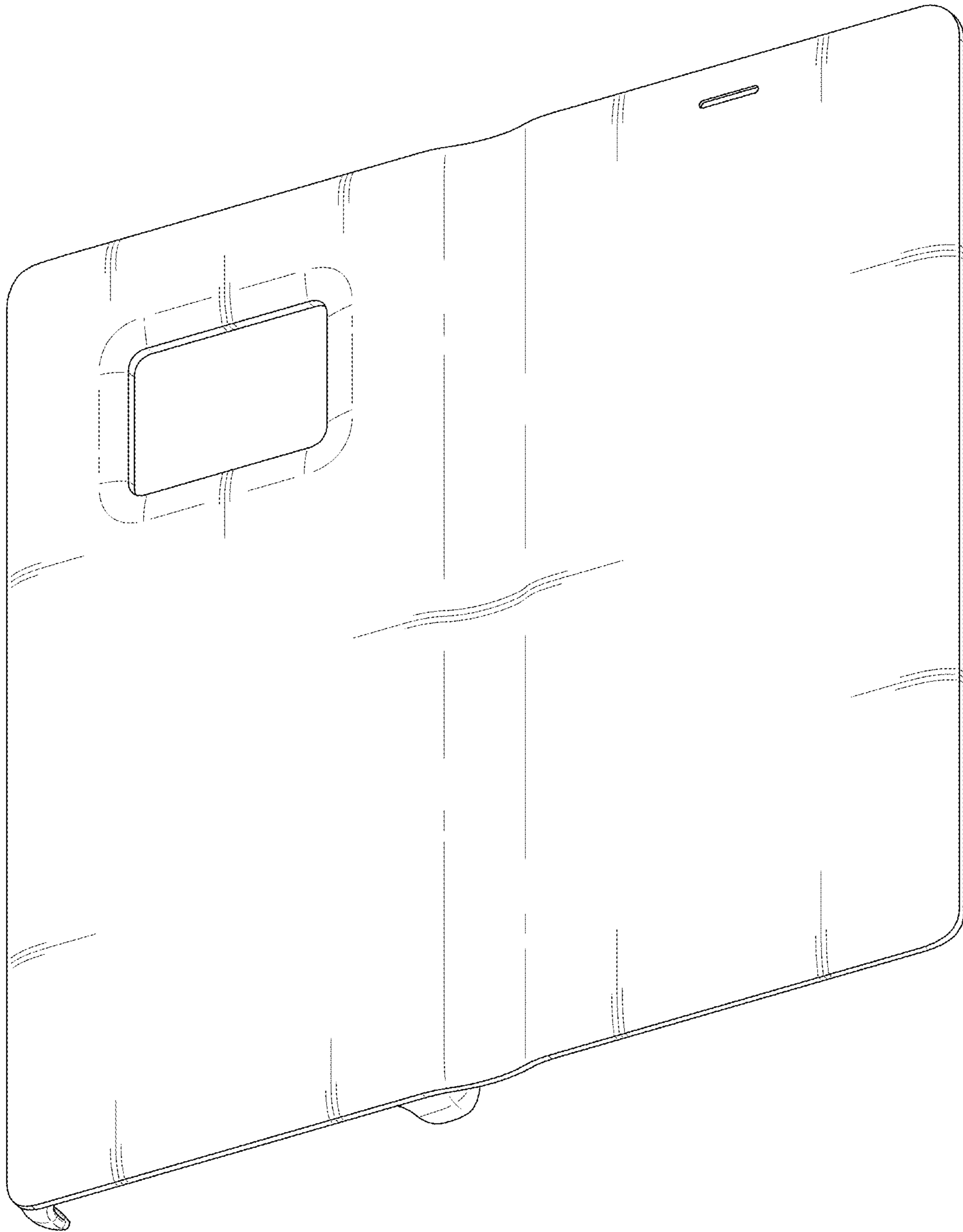


FIG. 9

