



US00D939480S

(12) **United States Design Patent** (10) **Patent No.:** **US D939,480 S**
van Til et al. (45) **Date of Patent:** **** Dec. 28, 2021**

(54) **SOUND BAR SUPPORT BRACKET**
(71) Applicant: **Universal Electronics Inc.**, Santa Ana, CA (US)
(72) Inventors: **Peter Martin van Til**, Enschede (NL); **Niek Fox**, Hengelo (NL); **Luigi D'Andrea**, Hengelo (NL)
(73) Assignee: **Universal Electronics Inc.**, Santa Ana, CA (US)
(**) Term: **15 Years**
(21) Appl. No.: **29/740,160**
(22) Filed: **Jul. 1, 2020**
(51) **LOC (13) Cl.** **14-01**
(52) **U.S. Cl.**
USPC **D14/224**
(58) **Field of Classification Search**
USPC D14/204, 209, 209.1, 210, 211, 212, 15, D14/217, 221, 222, 224, 224.1, 225, 226, D14/227, 229, 251, 149, 253, 466; D6/682, 675.1, 672, 673
CPC ... G10G 5/00; A47B 61/04; A47F 7/00; A47F 7/0028; A47F 7/0035; A47F 7/0042; A47F 5/04; A47J 47/16; H04R 19/04; H04R 19/00; H04R 1/406; H04R 1/08; H04R 1/04; H04R 1/326; H04R 29/004; H04R 2410/00; H04R 2410/01; H04R 2410/03; H04R 2410/05; H04R 2410/07; H04R 2420/07; H04R 17/02
See application file for complete search history.

(56) **References Cited**
U.S. PATENT DOCUMENTS
D359,225 S * 6/1995 Reed D26/138
D416,470 S * 11/1999 Aldeghi D8/354
D555,459 S * 11/2007 Goodwin, III D8/363
D688,072 S * 8/2013 Hennessey D6/682
D722,540 S * 2/2015 Brunner D12/114
D723,536 S * 3/2015 Werth D14/253
D753,642 S * 4/2016 Iimuro D14/253
D829,725 S * 10/2018 Luo D14/447
D840,995 S * 2/2019 Balmer D14/253

D841,641 S * 2/2019 Huang D14/253
D861,002 S * 9/2019 Bergeron-Mirsky D14/447
D864,188 S * 10/2019 Che D14/253

(Continued)
FOREIGN PATENT DOCUMENTS

CN 306601865 * 6/2021
JP D1677087 * 12/2020
KR 301119335.0000 * 7/2021

OTHER PUBLICATIONS

Mounting Dream Sound bar Mount, announced Aug. 6, 2020 [online], retrieved Jul. 28, 2021, retrieved from internet, https://www.amazon.com/dp/B08FCDF7GY/ref=sspa_dk_detail_2?psc=1&pd_rd_i=B08FCDF7GY&pd_rd_w=5Dg2i&pf_rd_p=39cbbe7c-8911-4076-85fd-8e024260e5ce&pd_rd_wg=J9Bfl&pf_rd_r=CB33XDAV3YNCYEQ9XHGT&pd_rd_r=0d6ba457-8e91-4e01-b22d-acdbd5880df0&spLa=ZW5jenlwdGVkUXVhbGlmaWVyPUFRM0laWFZWQU5JR1MmZW5jenlwdGVkSWQ9QTA4MTQ0NTgySDM4TFE1RUpcVENBjMvYyY3J5cHRIZEFkSWQ9QTA5NDI3NTUxTIQ4WjBUTjNHT08zJndpZGdlldE5hbWU9c3BfZGV0YWIsX3R0ZW1hdGljJmFjdGlvbj1jbGlja1JIZGlyZWNoJmRvTm90TG9nQ2xpY2s9dHJlZQ==
(Continued)

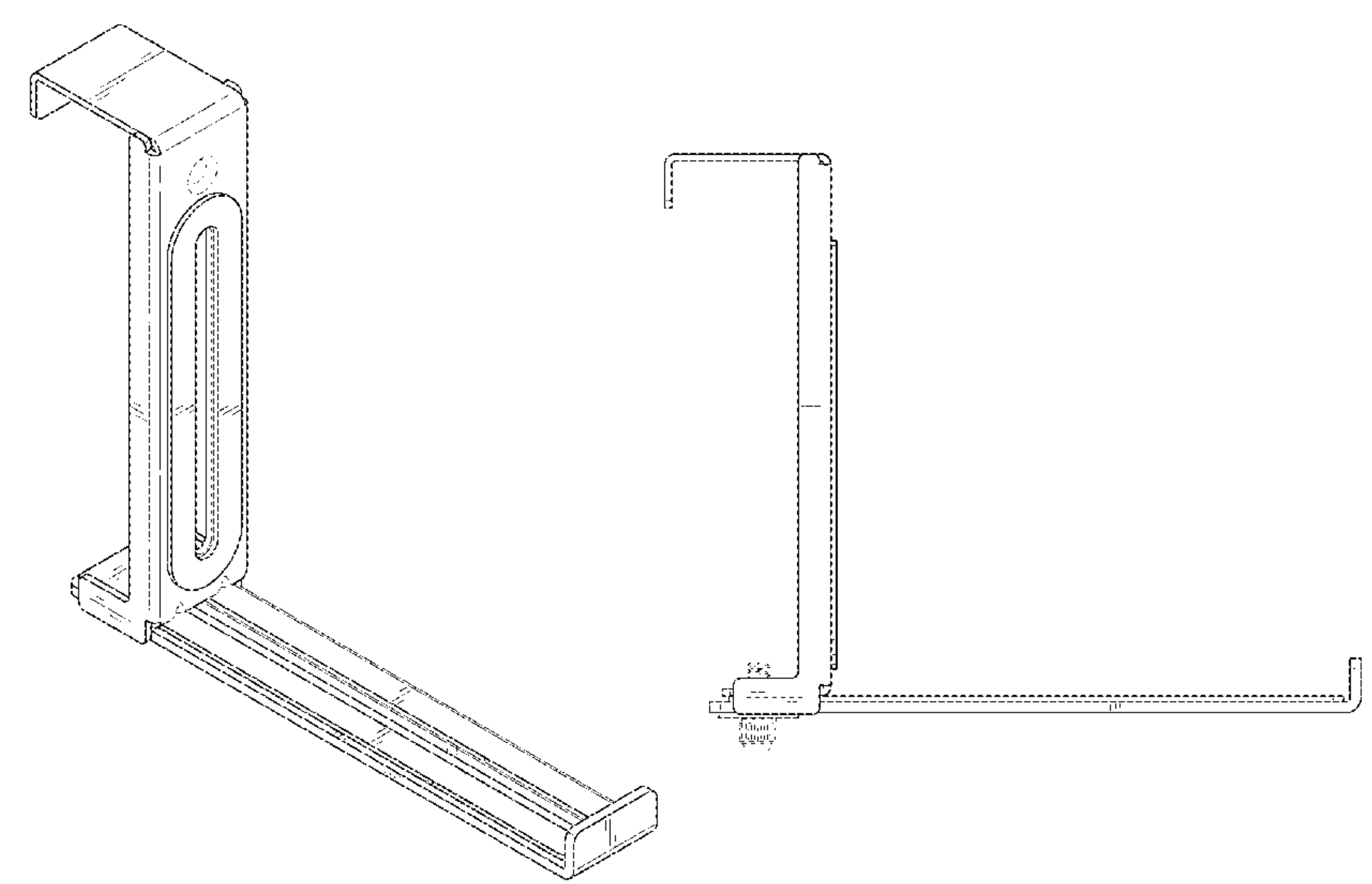
Primary Examiner — Dana K Weiland
Assistant Examiner — Messina L Smith
(74) *Attorney, Agent, or Firm* — Greenberg Traurig, LLP
(57) **CLAIM**

The ornamental design for a sound bar support bracket, as shown and described.

DESCRIPTION

FIG. 1 is a top, front perspective view of a sound bar support bracket showing our new design;
FIG. 2 is left side elevational view thereof;
FIG. 3 is a right side elevational view thereof;
FIG. 4 is a front side elevational view thereof;
FIG. 5 is a rear side elevational view thereof;
FIG. 6 is a top plan view thereof; and,
FIG. 7 is a bottom plan view thereof.
The broken lines depict portions of the sound bar support bracket that form no part of the claimed design.

1 Claim, 5 Drawing Sheets



(56)

References Cited

U.S. PATENT DOCUMENTS

D907,028	S	*	1/2021	Shen	D14/253
D907,627	S	*	1/2021	Li	D14/253
D908,688	S	*	1/2021	Zhang	D14/253
2014/0140557	A1	*	5/2014	Miller	H04R 5/00 381/333
2019/0028788	A1	*	1/2019	Ducker	H04R 1/08

OTHER PUBLICATIONS

Soundbar Bracket Mounting Base Holder, announced © 2021 [online], retrieved Jul. 28, 2021, retrieved from internet, https://www.mycablemart.com/store/cart.php?m=product_detail&p=8990&ad_source=google_usa&gclid=CjwKCAjwglSIBhBfEiwALE19SQx-tdj4OMPMzCWv7CwXjHhvPShYrmZDyfVYlfdZSEgP58r5KTkzPBoCjllQAvD_BwE.*

Mounting Dream Universal Soundbar Mount, announced Dec. 27, 2018 [online], retrieved Jul. 28, 2021, retrieved from internet, <https://www.amazon.com/Mounting-Dream-Universal-Soundbar-MD5425/dp/B07MNZ8RNF>.*

AVLT Universal Soundbar Mount, announced Jan. 4, 2021 [online], retrieved Jul. 28, 2021, retrieved from internet, https://www.amazon.com/dp/B08RYQDYXK/ref=sspa_dk_hqp_detail_aax_0?psc=1&spLa=ZW5jcnlwdGVkUXVhbGlmaWVyPUEwMTM3NDUwMTI1UTVLRkpMVjBGJmVuY3J5cHRIZElkPUEwMTM3NDUwMTI1UTVLRkpMVjBGJmVuY3J5cHRIZElkPUEwOTAyOTk0M0w2OUwyTkM3MkVLRiZ3aWRnZXROYW1lPjY3QmZG9Ob3Rmb2dDbGljaZl0cnVI.*

* cited by examiner

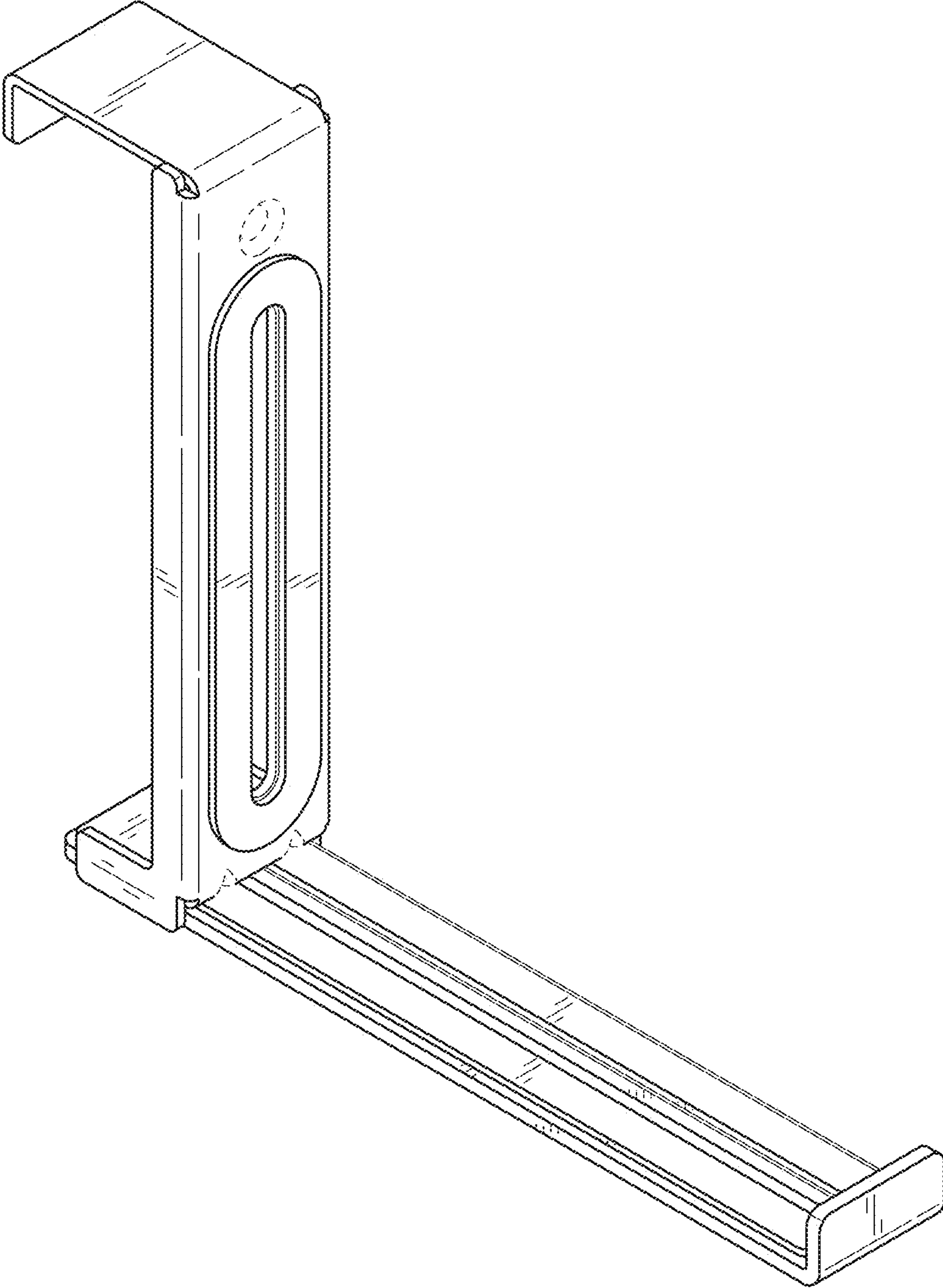


FIG. 1

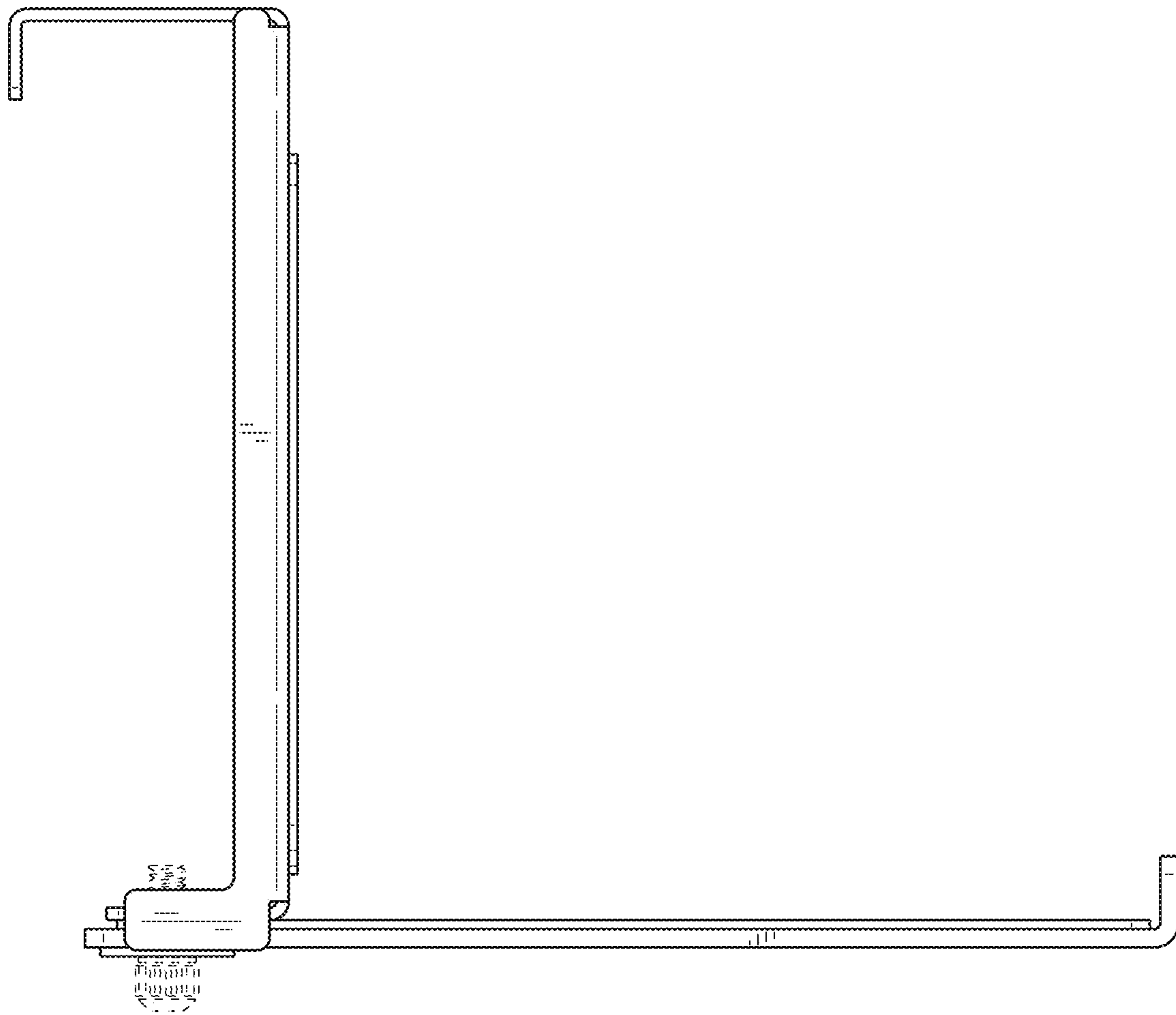


FIG. 2

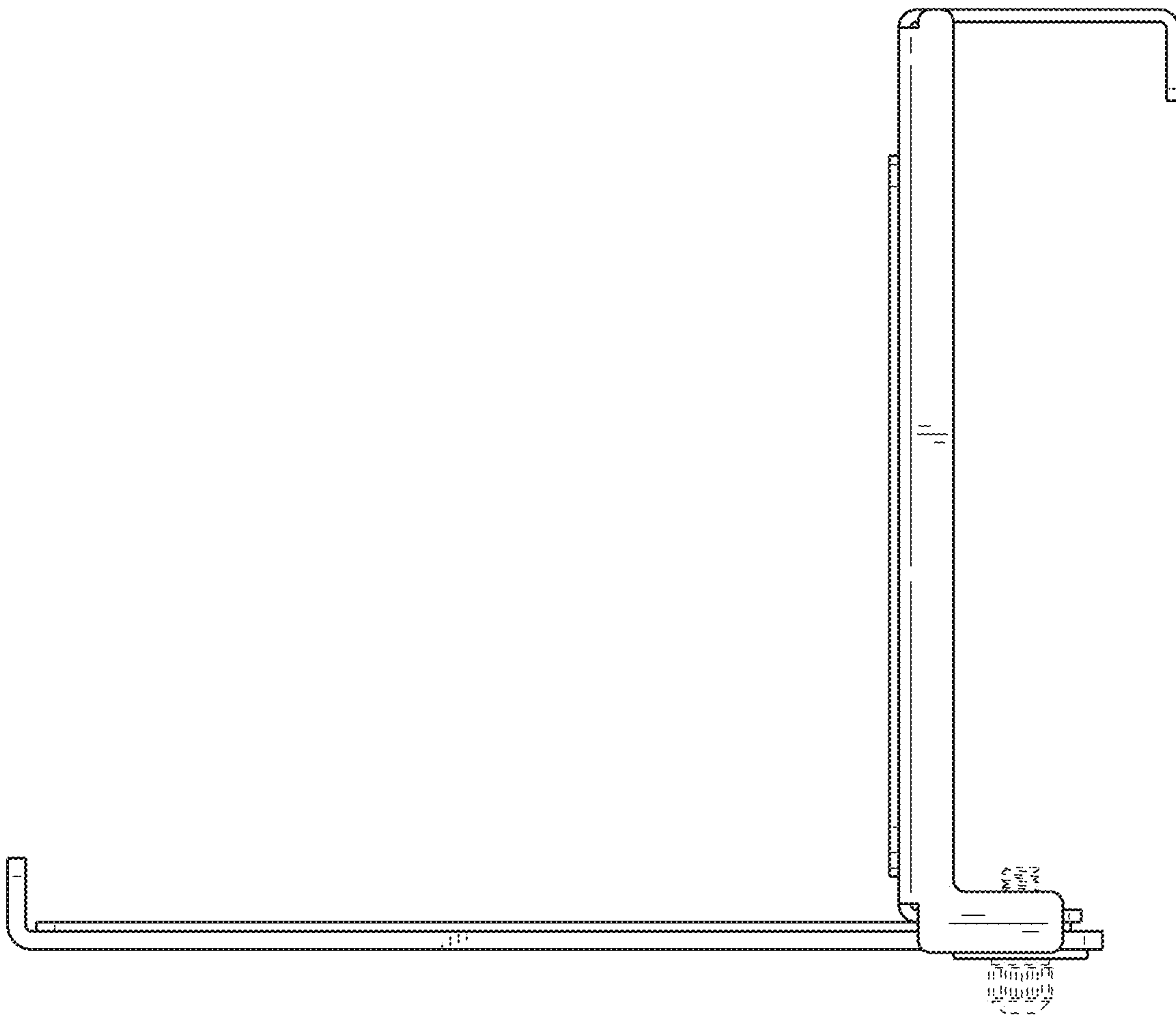


FIG. 3

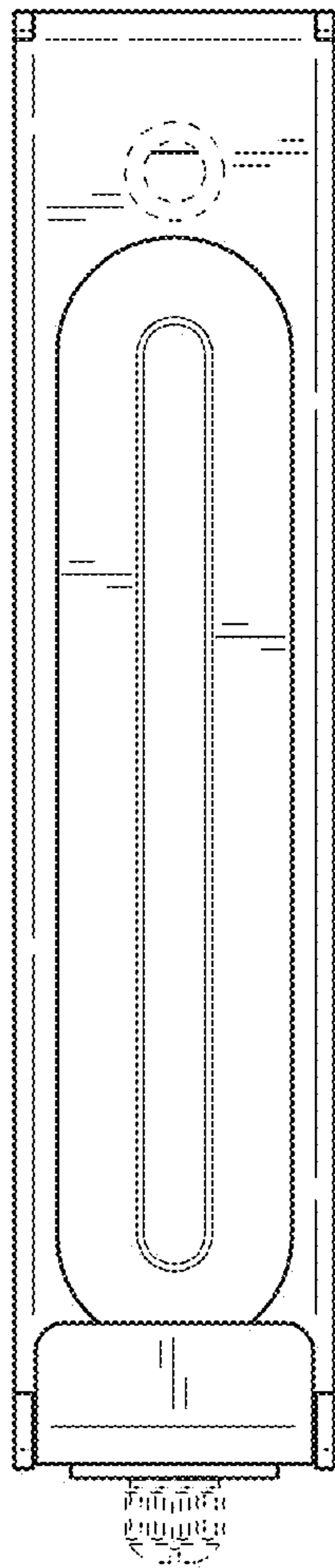


FIG. 4

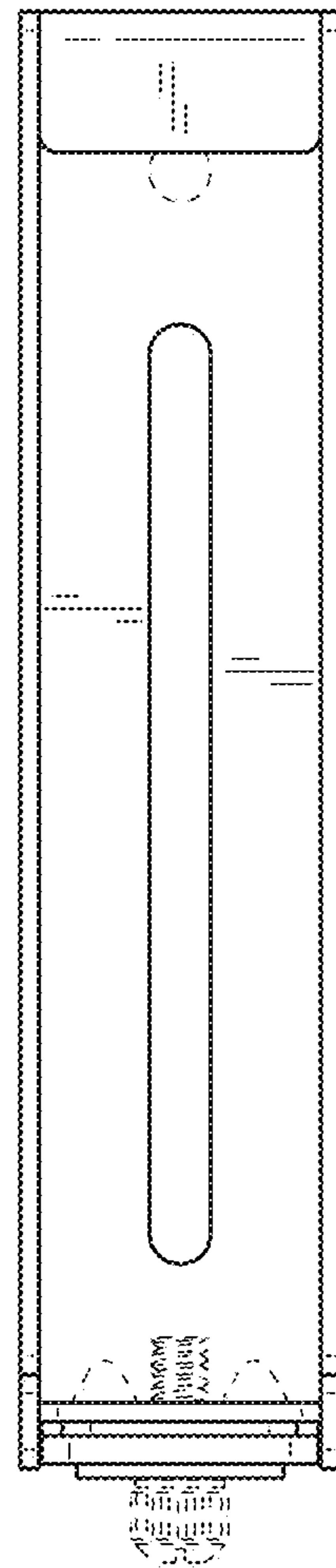


FIG. 5

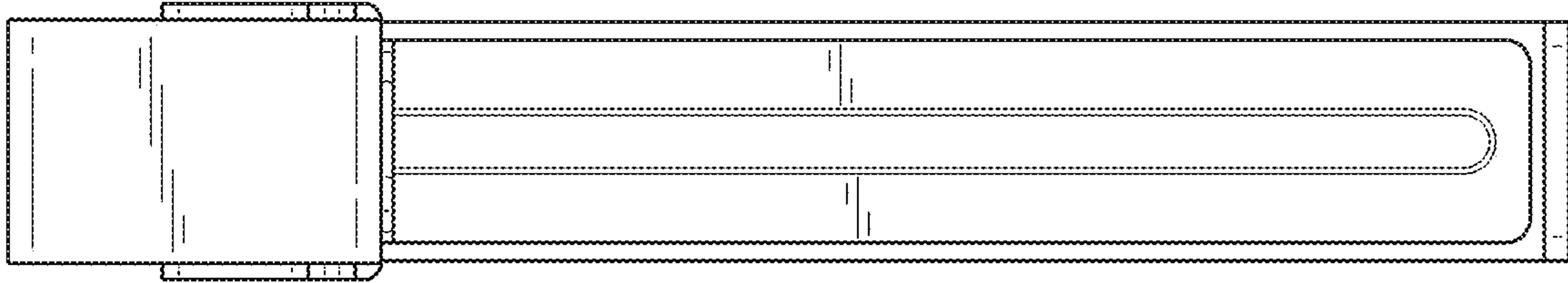


FIG. 6

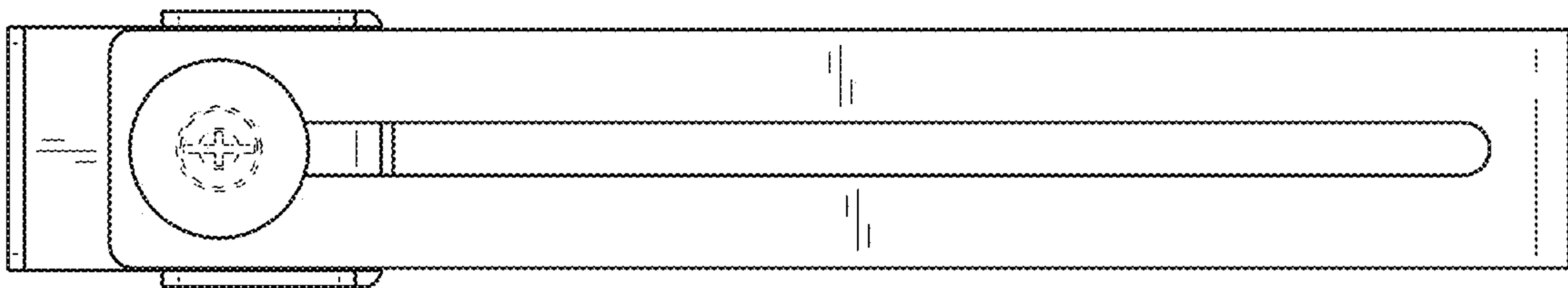


FIG. 7