



US00D939475S

(12) **United States Design Patent** (10) **Patent No.:** **US D939,475 S**
Lee (45) **Date of Patent:** **** Dec. 28, 2021**

(54) **COVER FOR REMOTE CONTROLLER OR THE LIKE**

D638,067 S 5/2011 Suetake et al.
D645,032 S * 9/2011 Fathollahi D14/250
D648,718 S * 11/2011 Andre D14/250

(Continued)

(71) Applicant: **ELAGO CO. LTD**, Goyang-si (KR)

FOREIGN PATENT DOCUMENTS

(72) Inventor: **Chanwoo Lee**, Goyang-si (KR)

CN 104433108 A 3/2015
CN 304970754 1/2019

(73) Assignee: **elago CO. LTD**, Goyang-si (KR)

(Continued)

(**) Term: **15 Years**

OTHER PUBLICATIONS

(21) Appl. No.: **29/783,308**

Elago R1 Intelli Case for Apple TV Siri Remote_BLK. (Online) 8 pgs. First available Jan. 28, 2016. [Retrieved Nov. 15, 2021] https://www.amazon.com/elago-Technology-Anti-Slip-Absorption-Generation/dp/B01B5RF470?ref_ast_sto_dp&th=1&psc=1.

(Continued)

(22) Filed: **May 12, 2021**

(51) **LOC (13) Cl.** **14-03**

(52) **U.S. Cl.**
USPC **D14/218; D3/300**

(58) **Field of Classification Search**
USPC D14/356, 388, 401, 432, 433, 454, 217, D14/218, 240, 242, 250, 252, 299, 496; D13/168, 173; D21/333; D3/300, 201
CPC .. H01H 9/0214; H01H 9/0235; H01H 9/0242; H01H 2223/044; H01H 2223/04
See application file for complete search history.

Primary Examiner — Marie D. Fast Horse
(74) *Attorney, Agent, or Firm* — Paratus Law Group, PLLC

(57) **CLAIM**

The ornamental design for a cover for remote controller or the like, as shown and described.

DESCRIPTION

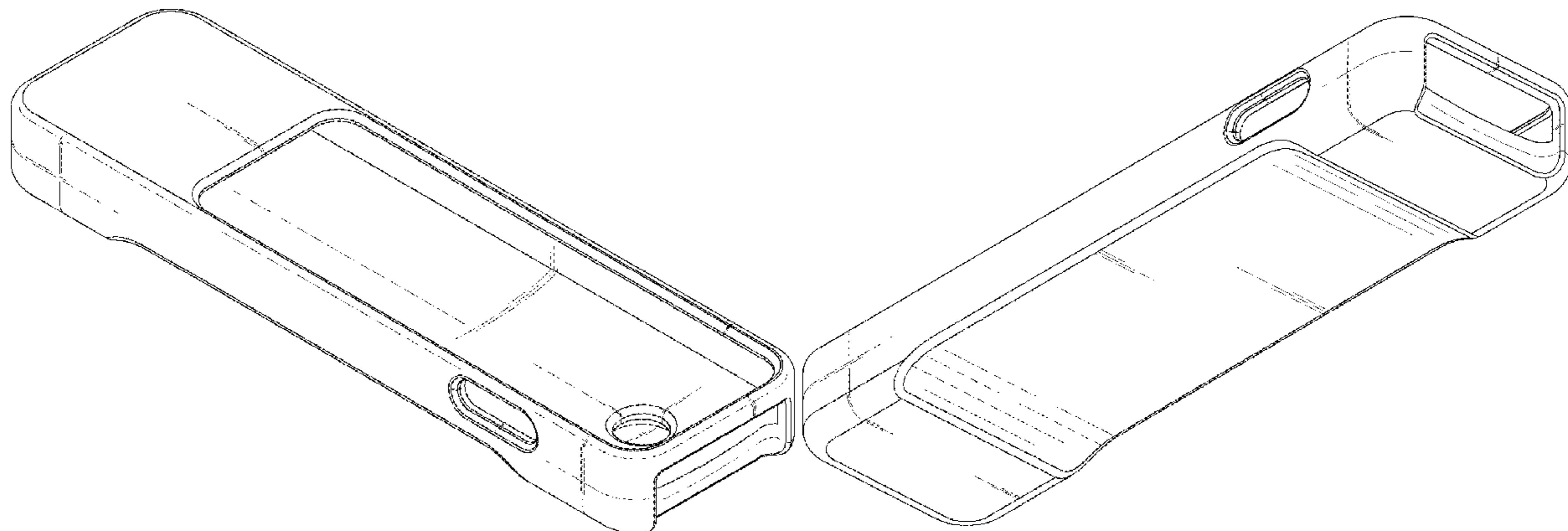
(56) **References Cited**

U.S. PATENT DOCUMENTS

4,836,256 A 6/1989 Meliconi
5,360,108 A * 11/1994 Alagia H01H 9/0242
206/320
D369,606 S * 5/1996 Marks D14/218
D397,246 S * 8/1998 Hoofnagle D3/201
D459,346 S 6/2002 Powell
D558,972 S * 1/2008 Oh D3/201
D559,230 S * 1/2008 Griffin D14/217
D565,835 S * 4/2008 Lin D3/201
D609,463 S * 2/2010 Bullen D3/218
D619,178 S * 7/2010 Ashida D21/333
D623,180 S * 9/2010 Diebel D14/250
D624,129 S * 9/2010 Lim D21/333
D631,098 S 1/2011 Ashida et al.
D632,341 S * 2/2011 Lim D21/333

FIG. 1 is a front, top, and left side perspective view of a cover for remote controller or the like, showing my new design;
FIG. 2 is a front view thereof;
FIG. 3 is a back view thereof;
FIG. 4 is a left-side view thereof;
FIG. 5 is a right-side view thereof;
FIG. 6 is a top view thereof;
FIG. 7 is a bottom view thereof;
FIG. 8 is a front, bottom, and left side perspective view thereof; and,
FIG. 9 is a back, top, and left side perspective view thereof.

1 Claim, 4 Drawing Sheets



(56)

References Cited

FOREIGN PATENT DOCUMENTS

U.S. PATENT DOCUMENTS

D685,356 S * 7/2013 Diebel D14/250
 D703,210 S * 4/2014 Gelsomini D14/440
 D703,649 S * 4/2014 Wikel D14/250
 D720,342 S 12/2014 Starrett et al.
 D733,687 S 7/2015 Stockwell
 D740,269 S * 10/2015 Monaco D14/250
 D751,059 S * 3/2016 Cocchia D14/250
 D768,617 S * 10/2016 Merenda D14/250
 D795,260 S * 8/2017 Schlossberg D14/432
 D800,103 S * 10/2017 Andre D14/250
 D816,654 S * 5/2018 Chen D14/250
 D818,714 S 5/2018 Miller
 D830,696 S * 10/2018 Miller D3/300
 D834,571 S * 11/2018 Ravid D14/250
 D864,935 S * 10/2019 Diebel D14/250
 D873,803 S * 1/2020 Miller D14/218
 D889,453 S * 7/2020 Hyncecek D14/250
 D894,165 S * 8/2020 Jahnz D14/250
 D897,994 S * 10/2020 Bowers D14/218
 D900,081 S * 10/2020 Chen D14/250
 D908,682 S * 1/2021 Coverstone D14/250
 D908,801 S 1/2021 Lee
 D914,641 S * 3/2021 Bowers D14/218
 D915,232 S * 4/2021 Lee D10/104.1
 D916,693 S * 4/2021 Son D14/250
 D917,446 S * 4/2021 Ham D14/250
 2012/0273375 A1 * 11/2012 Rice H04B 1/3888
 206/320

CN 305344809 9/2019
 CN 305729967 4/2020
 CN 305729968 4/2020
 CN 305729969 4/2020
 CN 305753589 5/2020
 CN 306158227 11/2020
 CN 306386998 3/2021
 CN 306472813 4/2021
 KR 300866112.0000 7/2016

OTHER PUBLICATIONS

Remote Case for Apple TV 4K 2021 Siri Remote. (Online) 7 pgs.
 First available Jun. 17, 2021. [Retrieved Nov. 15, 2021] https://www.amazon.com/dp/B097D4MLJ2/ref=emc_b_5_t?th=1.*
 2 Pack Remote Case Compatible with Apple TV. (Online) 8 pgs.
 First available Apr. 18, 2018. [Retrieved Nov. 15, 2021] https://www.amazon.com/dp/B07C8YQQH8/ref=twister_B08BWN7F7Q?_encoding=UTF8&psc=1.*
 Elago R1 Case Compatible with 2021 Apple TV Siri Remote. (Online) 9 pgs. First available Jun. 14, 2021. [Retrieved Nov. 15, 2021] https://www.amazon.com/elago-Case-Compatible-Apple-Remote/dp/B094TH5TNC?ref=ast_sto_dp&th=1&psc=1.*
 Remote controller silica gel protective covers. (Design—© Questel) orbit.com. [online PDF of Foreign references] 27 pgs. Print Dates range Jan. 1, 2019-Nov. 2, 2021. [Retrieved Nov. 15, 2021] https://www.orbit.com/export/QPTUJ214/pdf2/2e7f72e2-ddd7-4814-a079-787d1e99d950-001700.pdf.*

* cited by examiner

FIG. 1

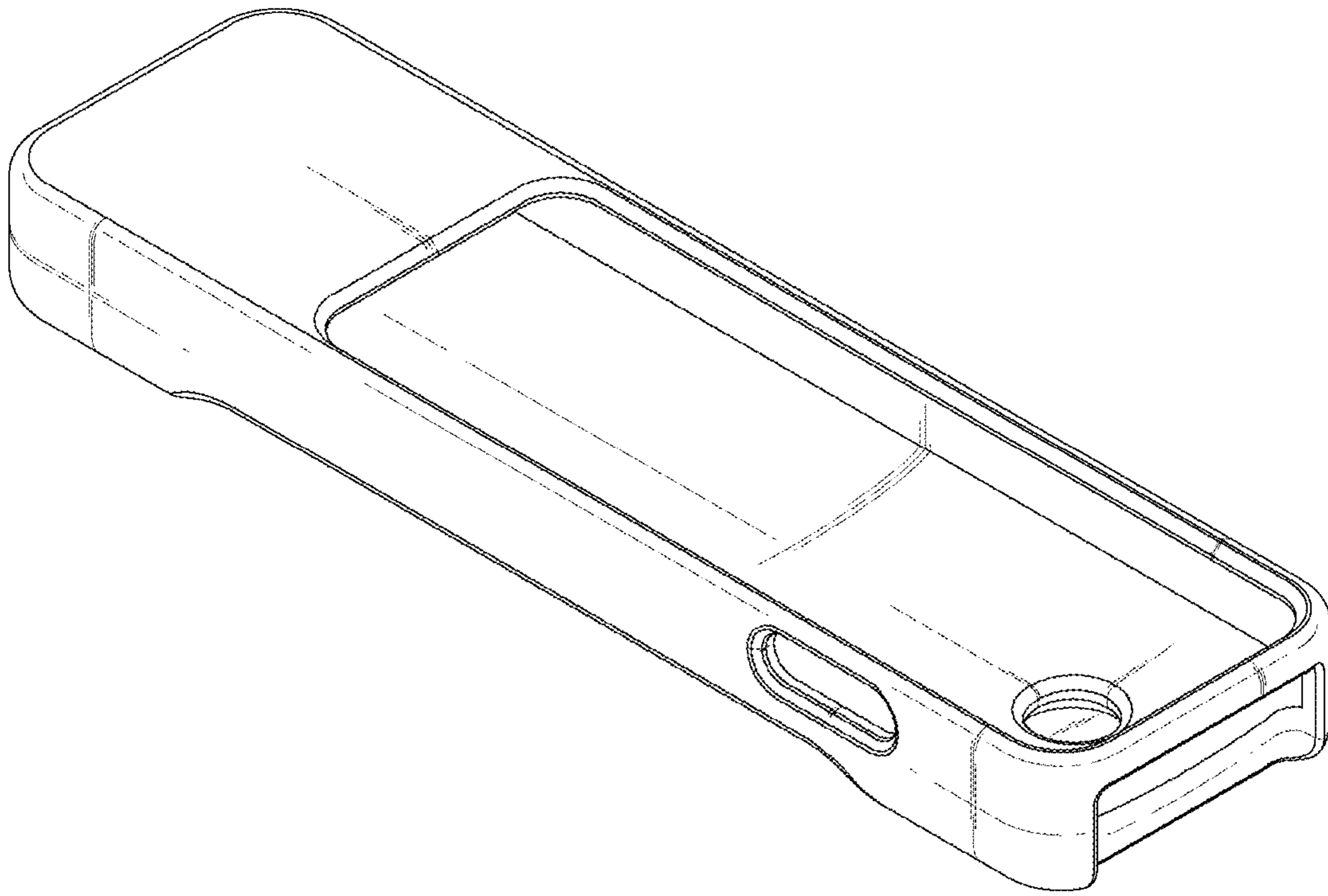


FIG. 2

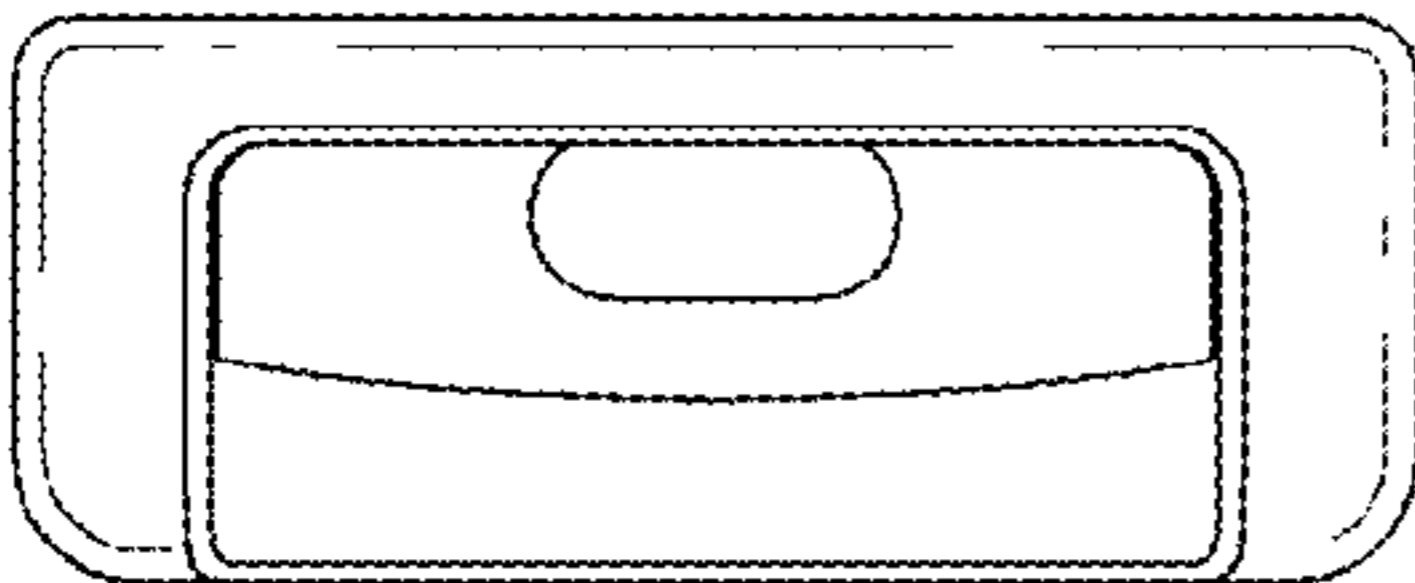


FIG. 3

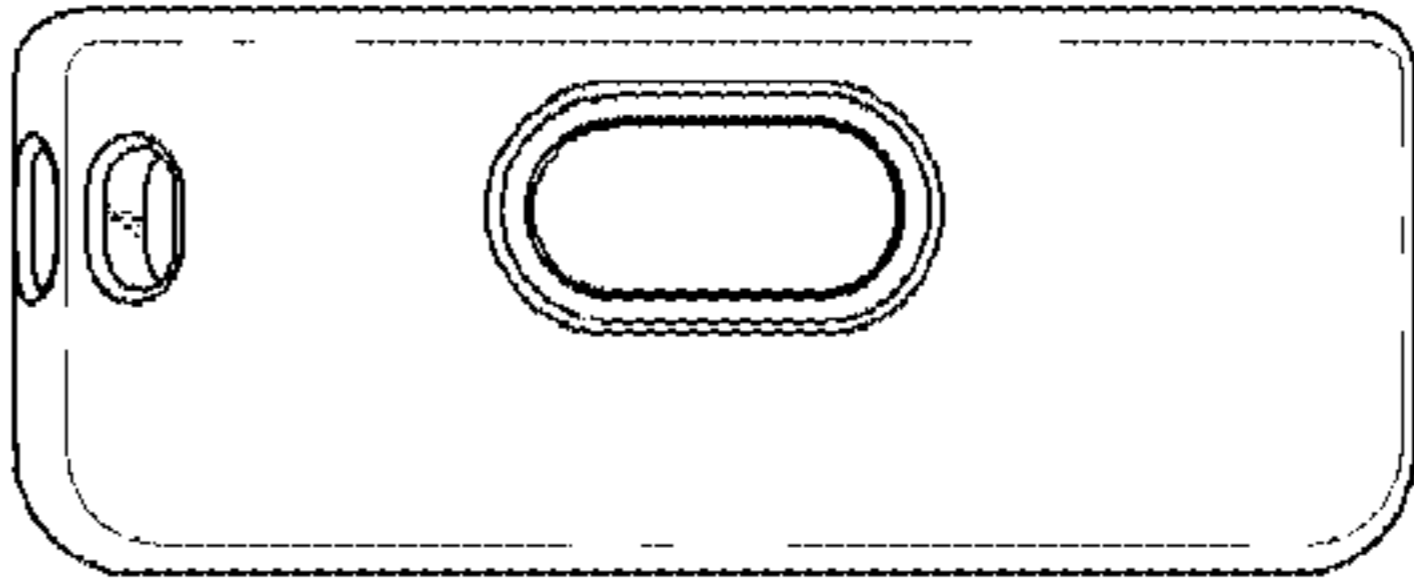


FIG. 4

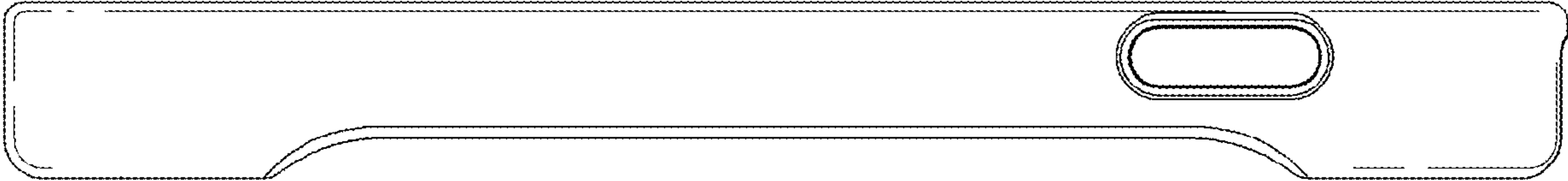


FIG. 5

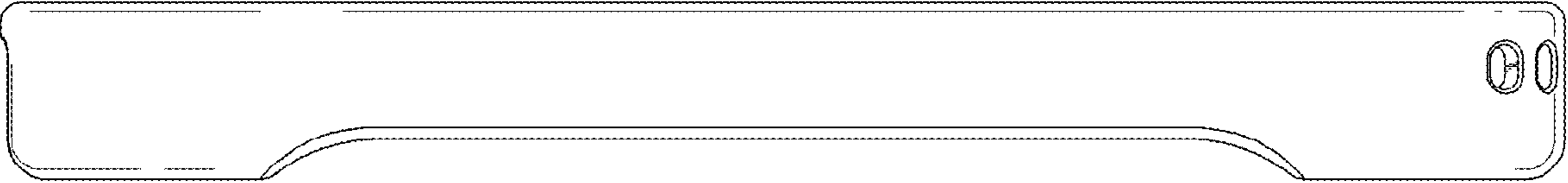


FIG. 6

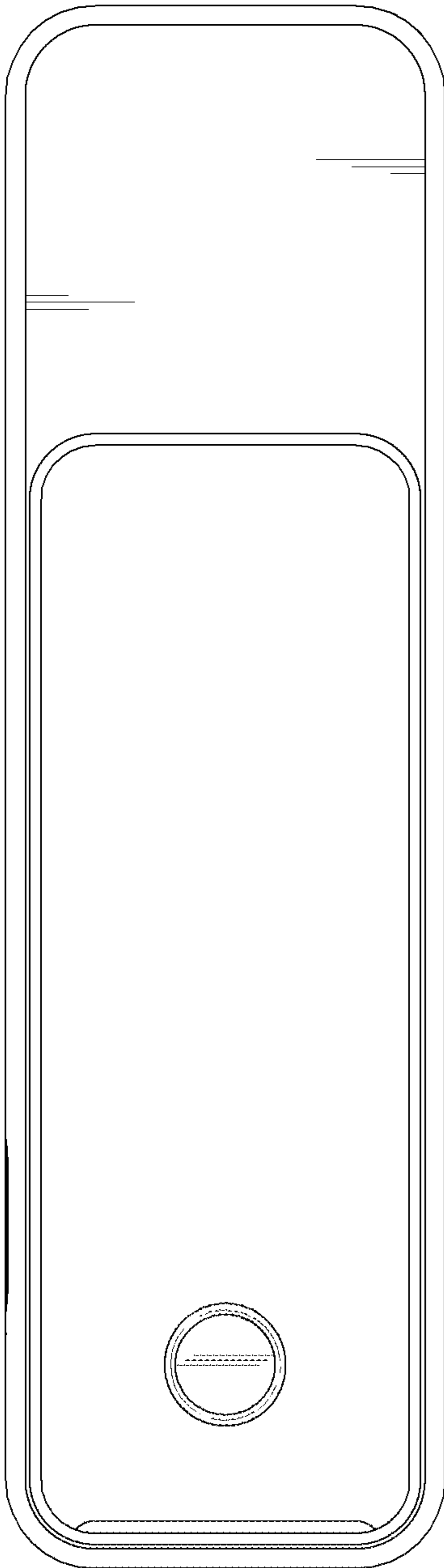


FIG. 7

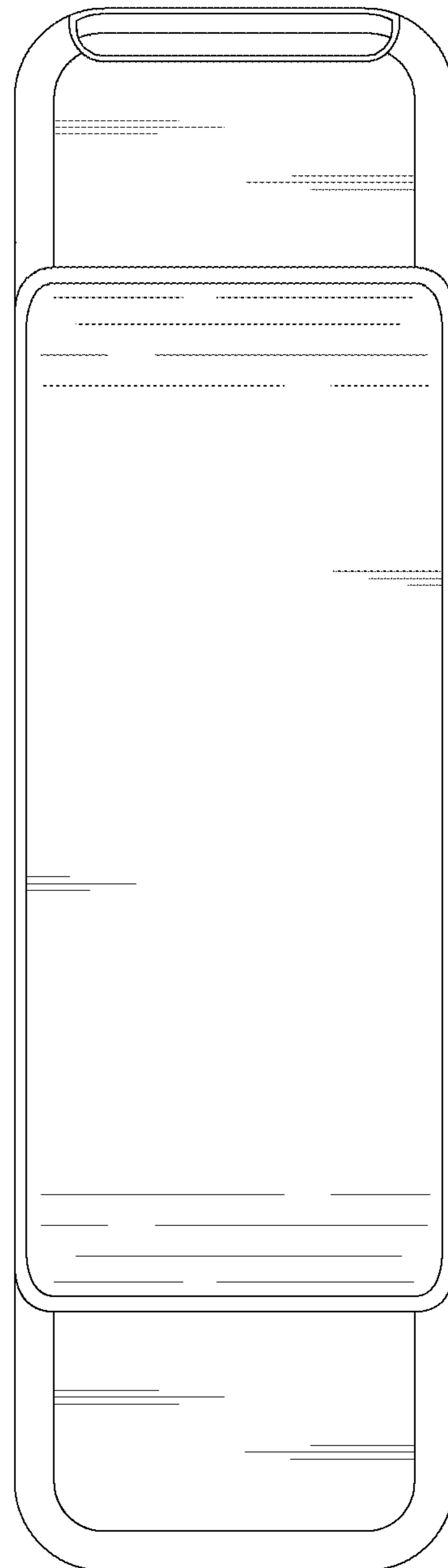


FIG. 8

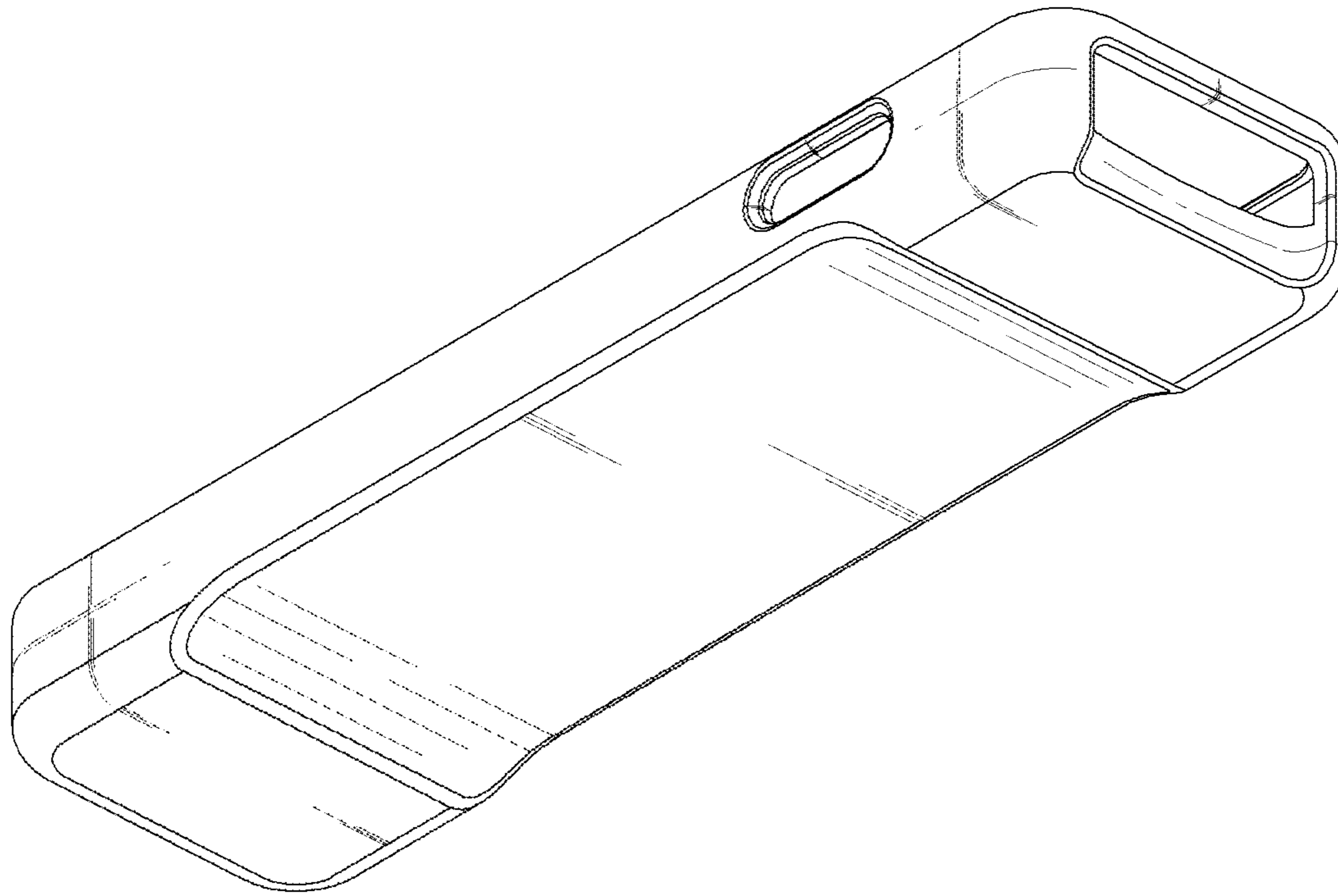


FIG. 9

