



US00D939470S

(12) **United States Design Patent**
Endo et al.

(10) **Patent No.:** **US D939,470 S**

(45) **Date of Patent:** **** Dec. 28, 2021**

(54) **AUDIO SPEAKER ENCLOSURE**

(71) Applicant: **ALPINE ELECTRONICS, INC.**,
Tokyo (JP)

(72) Inventors: **Hideki Endo**, Tokyo (JP); **Hiroshi Fujimoto**, Tokyo (JP)

(73) Assignee: **ALPINE ELECTRONICS, INC.**,
Tokyo (JP)

(**) Term: **15 Years**

(21) Appl. No.: **29/729,412**

(22) Filed: **Mar. 26, 2020**

(51) **LOC (13) Cl.** **14-01**

(52) **U.S. Cl.**
USPC **D14/210**

(58) **Field of Classification Search**
USPC D14/155–159, 160–173, 187–188,
D14/203.1–203.8, 204–216, 217–222,
D14/225–229, 356–358, 361, 362, 365,
D14/367, 370, 388, 496; D13/103,
D13/107–108

CPC H04R 1/02; H04R 1/021; H04R 1/025;
H04R 1/026; H04R 1/028; H04R 1/06;
H04R 1/105; H04R 1/323; H04R 1/403;
H04R 1/2803; H04R 1/2834

See application file for complete search history.

(56) **References Cited**

U.S. PATENT DOCUMENTS

D319,239 S * 8/1991 Kovner D14/204
D387,764 S 12/1997 Ross, Sr.
D450,778 S * 11/2001 Engebretson D14/221
D581,397 S 11/2008 Masui
D586,783 S 2/2009 Lui et al.
D628,979 S 12/2010 Yagi
D644,627 S 9/2011 Garrett
D653,206 S * 1/2012 Heine D13/108
D732,005 S 6/2015 Davies

D895,542 S * 9/2020 Bell D13/108
D929,959 S * 9/2021 Kirkland D14/214
2005/0232455 A1 * 10/2005 Monitto H04R 1/026
381/335
2007/0076912 A1 * 4/2007 Griffiths H04R 1/02
381/345

FOREIGN PATENT DOCUMENTS

EM 007773312-0002 * 4/2020
GB 9007773312-0002 * 3/2020

OTHER PUBLICATIONS

Alpine Electronics Expands The Halo Family . . . , Jan. 7, 2020,
[retrieved Jun. 3, 2021], Retrieved from Internet, URL: <<https://www.pasmag.com/extras/industry-insight/alpine-electronics-expands-the-halo-family-to-offer-complete-sound-system-solutions>> (Year: 2020).*

(Continued)

Primary Examiner — Barbara Fox
Assistant Examiner — Aram Kwon
(74) *Attorney, Agent, or Firm* — Crowell & Moring LLP

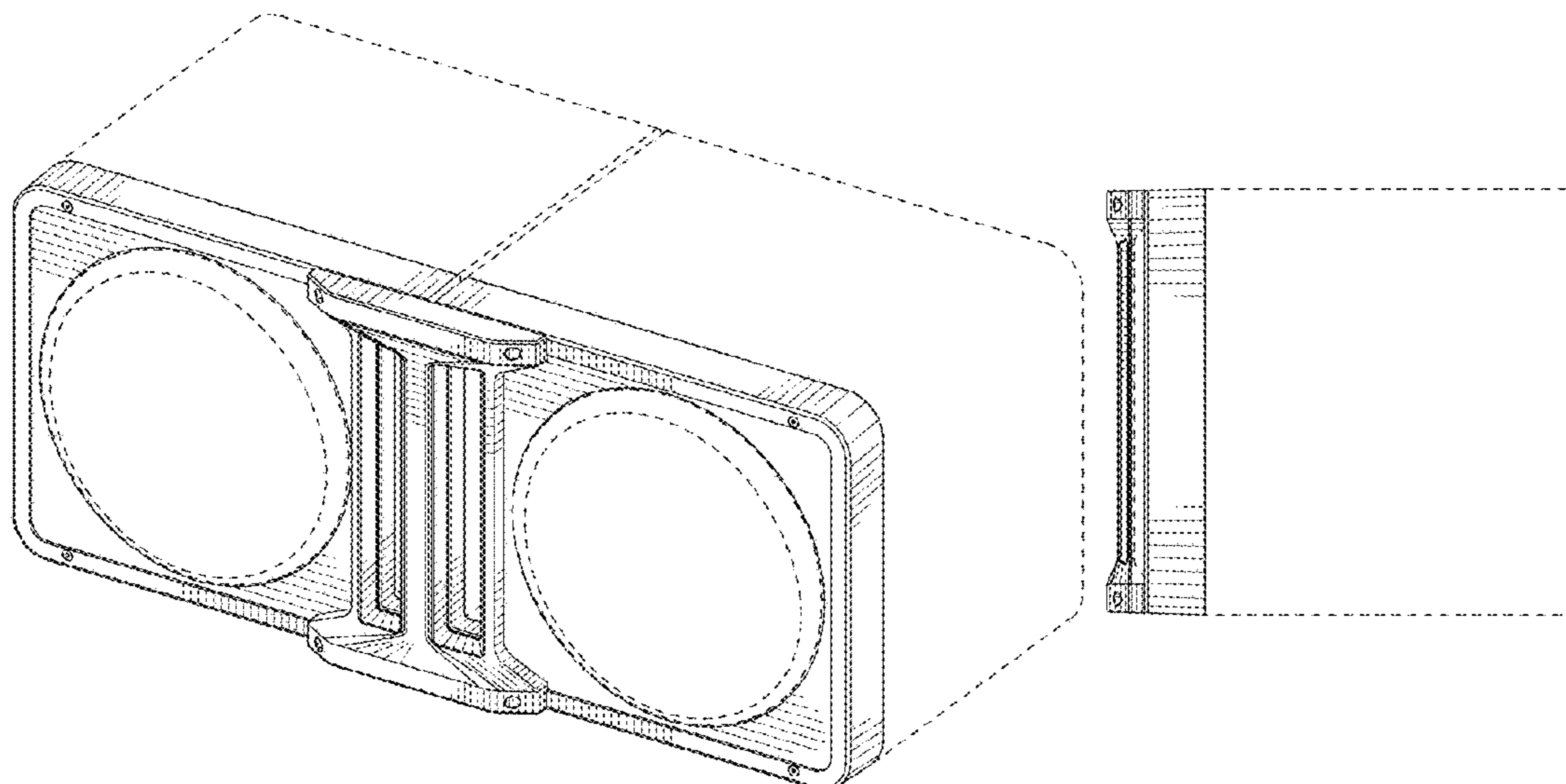
(57) **CLAIM**

The ornamental design for an audio speaker enclosure, as shown and described.

DESCRIPTION

FIG. 1 is a perspective view of an audio speaker enclosure, showing the new design;
FIG. 2 is a front view thereof;
FIG. 3 is a rear view thereof;
FIG. 4 is a top view thereof;
FIG. 5 is a bottom view thereof; and,
FIG. 6 is a right side view thereof, the left side, not shown, being symmetrical to the right side view.
The broken lines in the drawings depict portions of the audio speaker enclosure that form no part of the claimed design.

1 Claim, 4 Drawing Sheets



(56)

References Cited

OTHER PUBLICATIONS

Alpine R-SB12V, review date: Sep. 28, 2020, [retrieved Jun. 3, 2021], Retrieved from Internet, URL: <https://www.crutchfield.com/S-vNsx3AIFVwk/p_500RSB12V/Alpine-R-SB12V.html?XVINQ=GLX&awkw=919968753735&awat=pla&awnw=g&awcr=443848807611&awdv=c&awug=9008148&gclid=EAIalQobChMmN%E2%80%A6> (Year: 2020).*

Universal Car Stereo, date first available: Jan. 17, 2020, [retrieved Jun. 3, 2021], Retrieved from Internet, URL: <<https://www.amazon.com/Universal-R-W12D2-Subwoofers-Enclosure-Package/dp/B083ZJ7GKC>> (Year: 2020).*

* cited by examiner

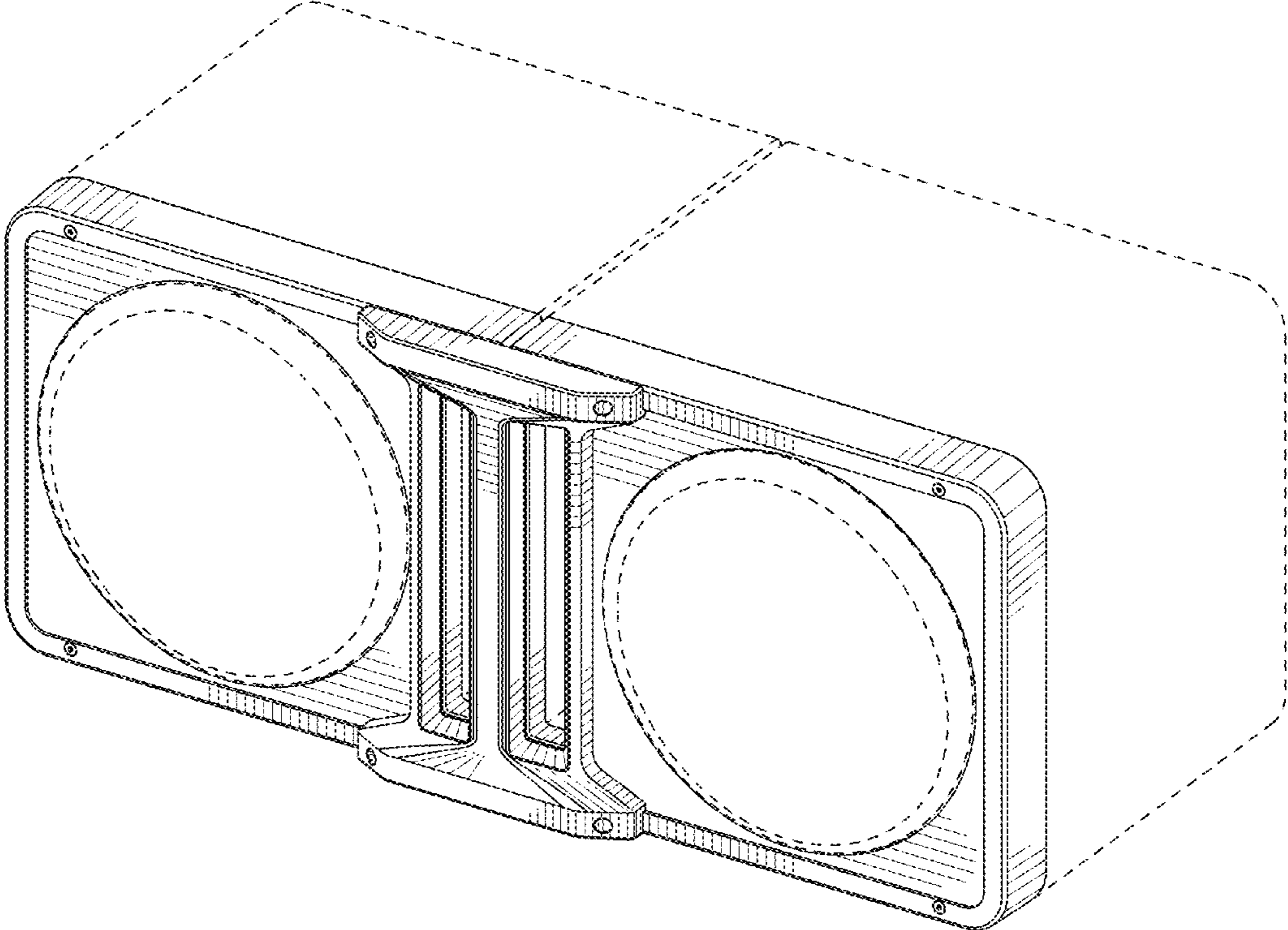


FIG. 1

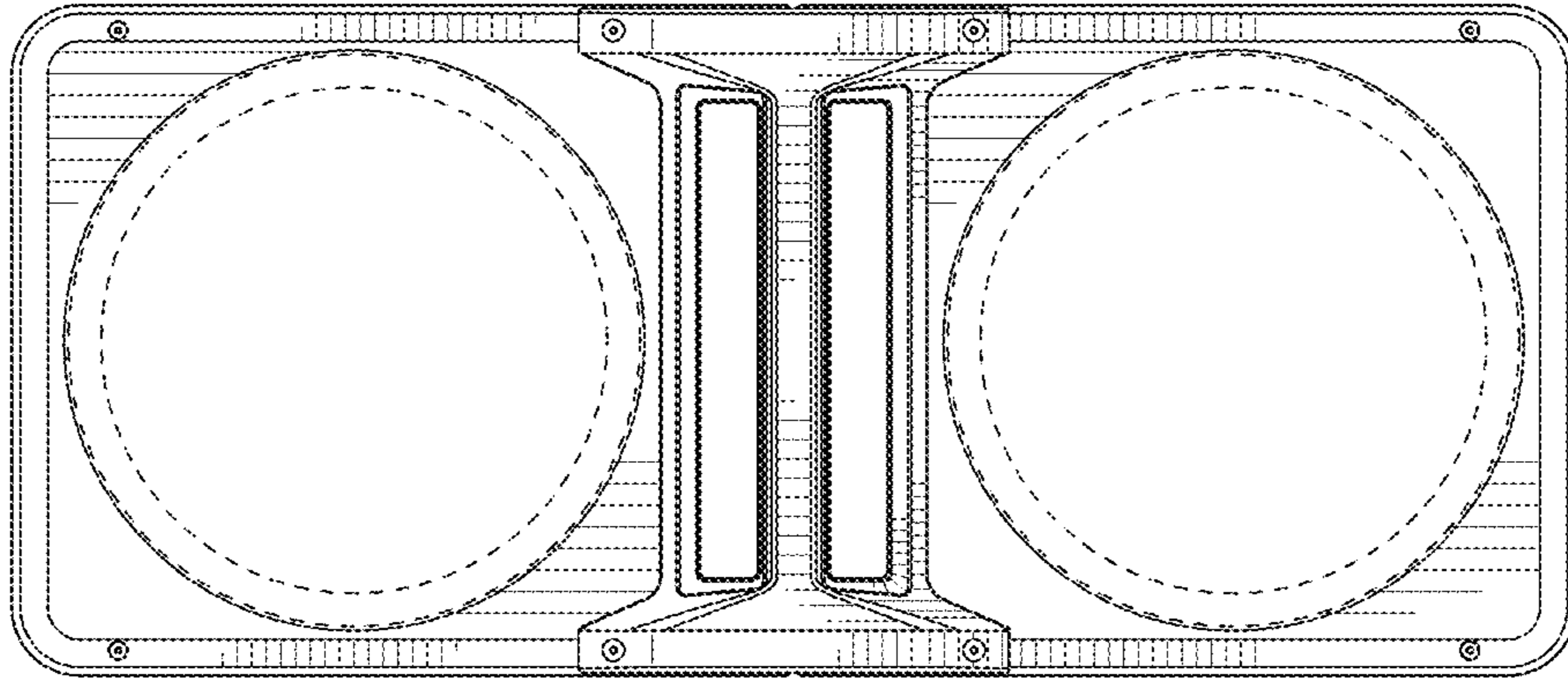


FIG. 2

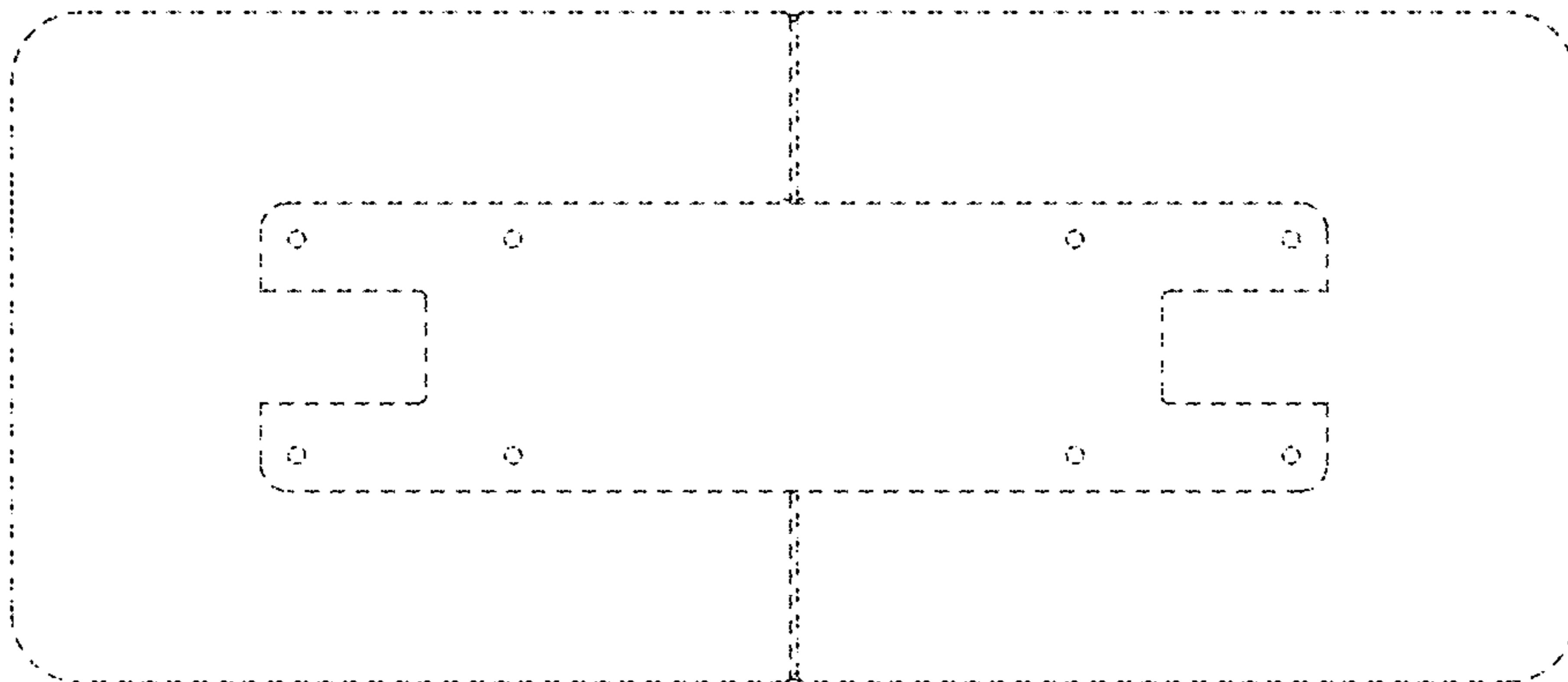


FIG. 3

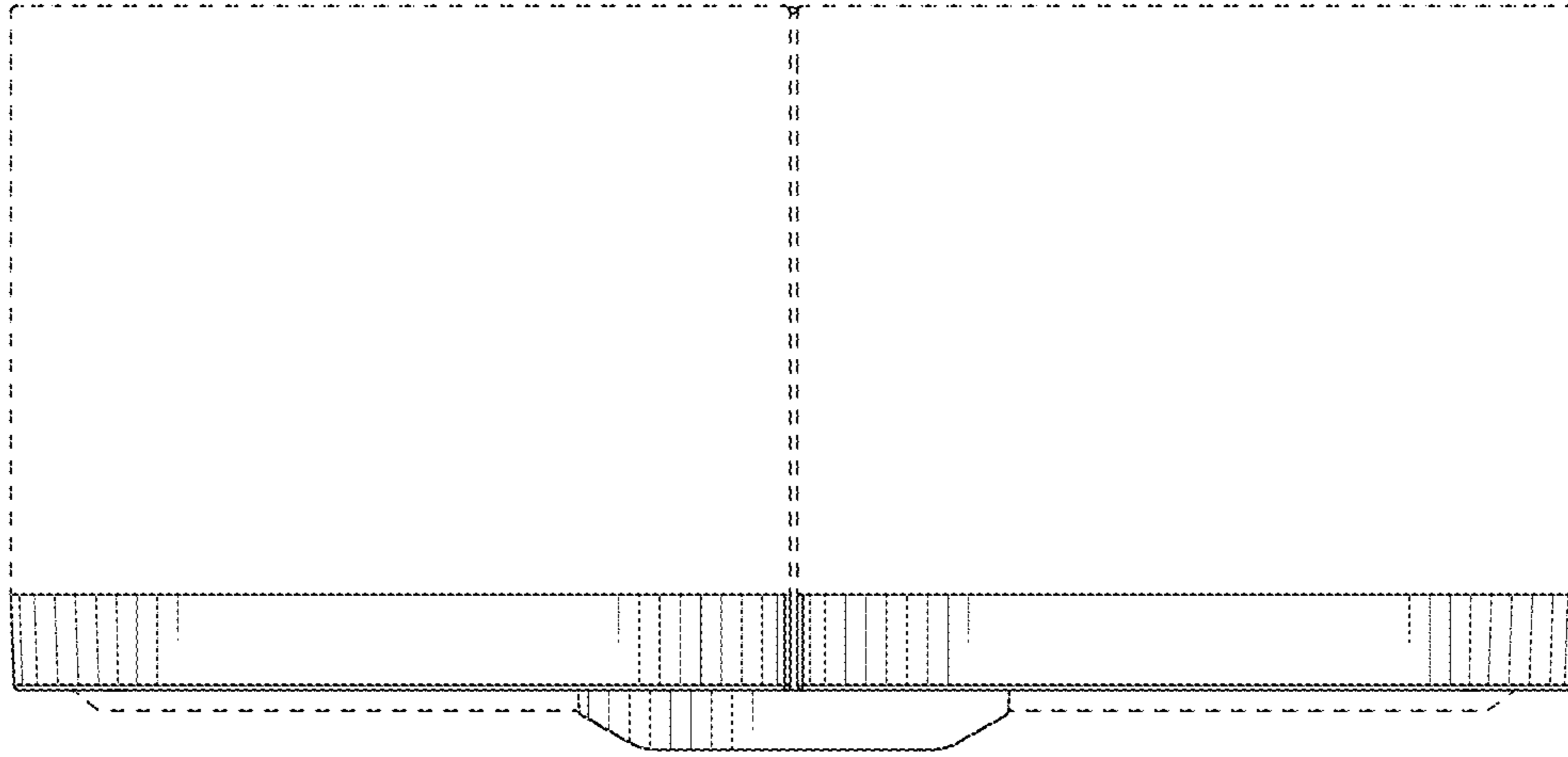


FIG. 4

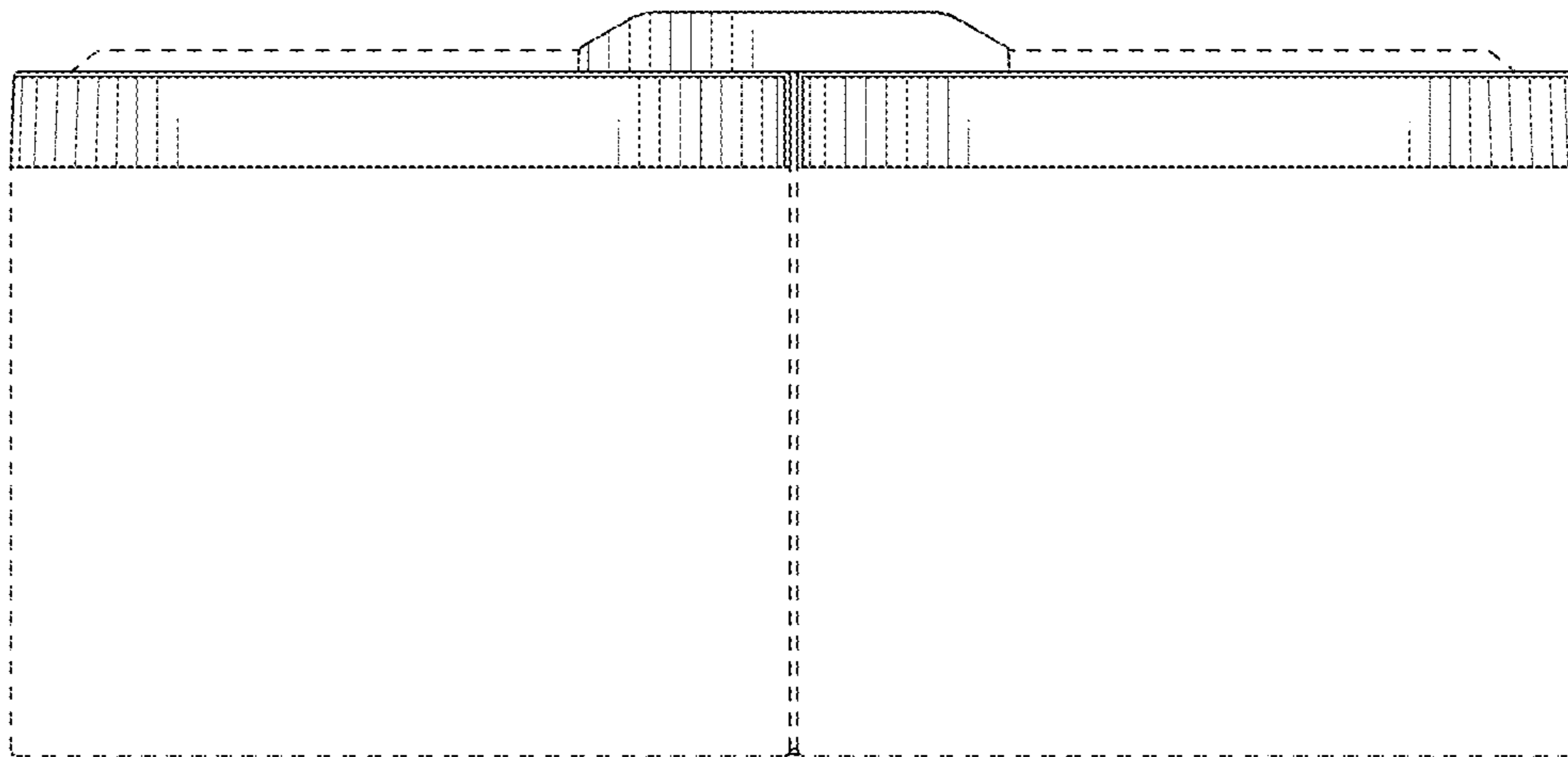


FIG. 5

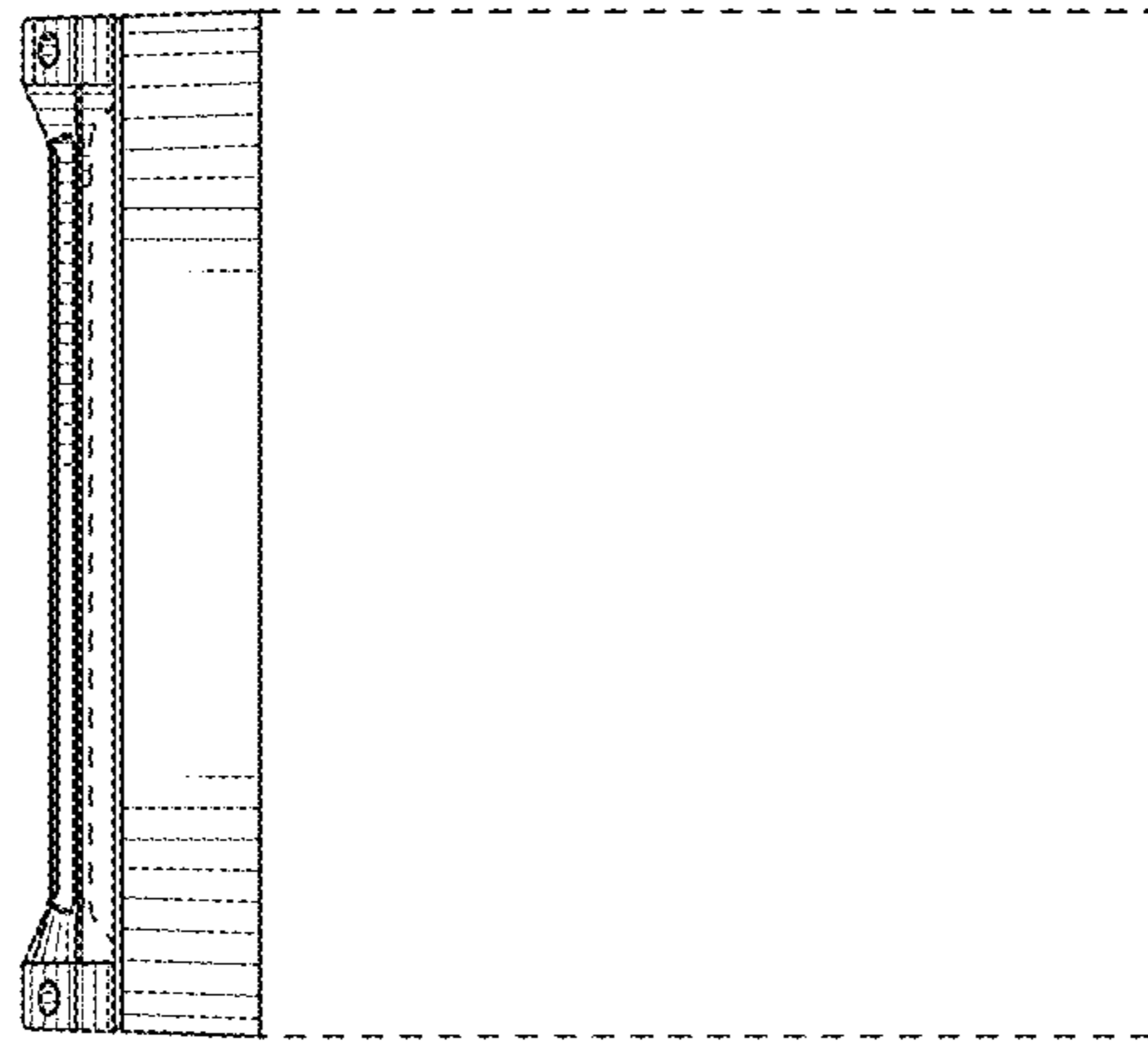


FIG. 6

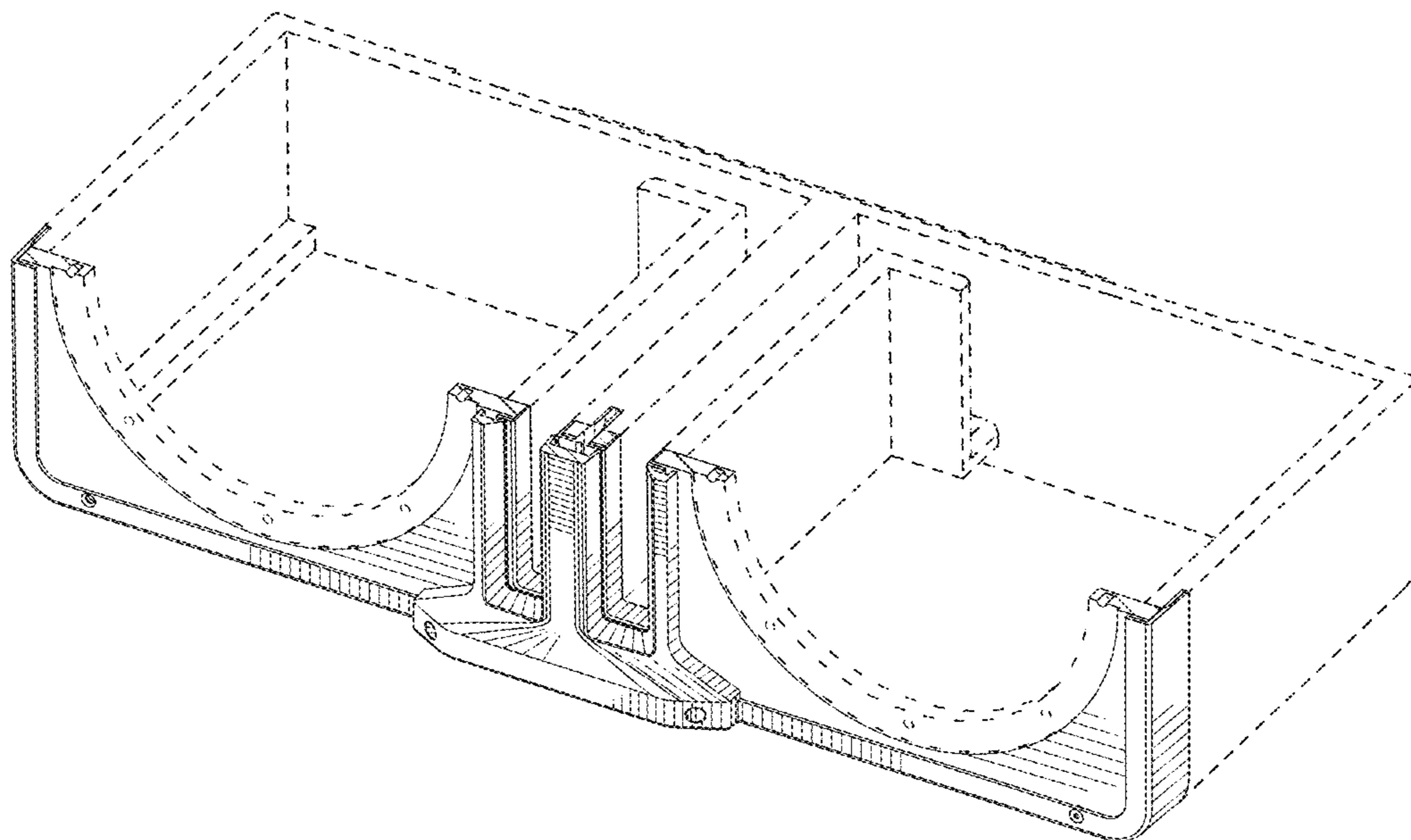


FIG. 7