



US00D939469S

(12) **United States Design Patent**
Yin et al.

(10) **Patent No.:** **US D939,469 S**

(45) **Date of Patent:** **** Dec. 28, 2021**

(54) **SPEAKER**

(71) Applicant: **BEIJING XIAOMI MOBILE SOFTWARE CO., LTD.**, Beijing (CN)

(72) Inventors: **Wei Yin**, Beijing (CN); **Yong Xu**, Beijing (CN); **Ningning Li**, Beijing (CN); **Zhiyao Wang**, Beijing (CN); **Tao Wang**, Beijing (CN)

(**) Term: **15 Years**

(21) Appl. No.: **35/510,486**

(22) Filed: **Jun. 22, 2020**

(80) **Hague Agreement Data**

Int. Filing Date: **Jun. 22, 2020**

Int. Reg. No.: **DM/210409**

Int. Reg. Date: **Jun. 22, 2020**

Int. Reg. Pub. Date: **Oct. 2, 2020**

(30) **Foreign Application Priority Data**

Jan. 13, 2020 (CN) 202030021254.8

(51) **LOC (13) Cl.** **14-01**

(52) **U.S. Cl.**
USPC **D14/204; D14/214**

(58) **Field of Classification Search**
USPC ... D14/172, 204, 209.1, 210, 211, 214, 215,
D14/216, 221
CPC . G10K 9/00; H04R 9/06; H04R 11/02; H04R
2400/00

See application file for complete search history.

(56) **References Cited**

U.S. PATENT DOCUMENTS

D643,018 S * 8/2011 Kim D14/214
D659,670 S * 5/2012 Goetzen D14/194
D685,348 S * 7/2013 Szymanski D14/214
D688,228 S * 8/2013 Ryu D14/209.1

(Continued)

OTHER PUBLICATIONS

“OontZ Angle 3 Pro Soundbar, TV and Bluetooth connectivity, Connect with Additional OontZ Angle 3 Ultra (4th Gen) Speakers, Control with OontZ app or Included Remote” [online]. OontZ. [Product first available on Jun. 3, 2021]. Retrieved from the Internet: <<https://www.amazon.com/dp/B08PG1GGKF>>.*

Primary Examiner — Mojtaba Tehrani

(57) **CLAIM**

The ornamental design for a speaker, as shown and described.

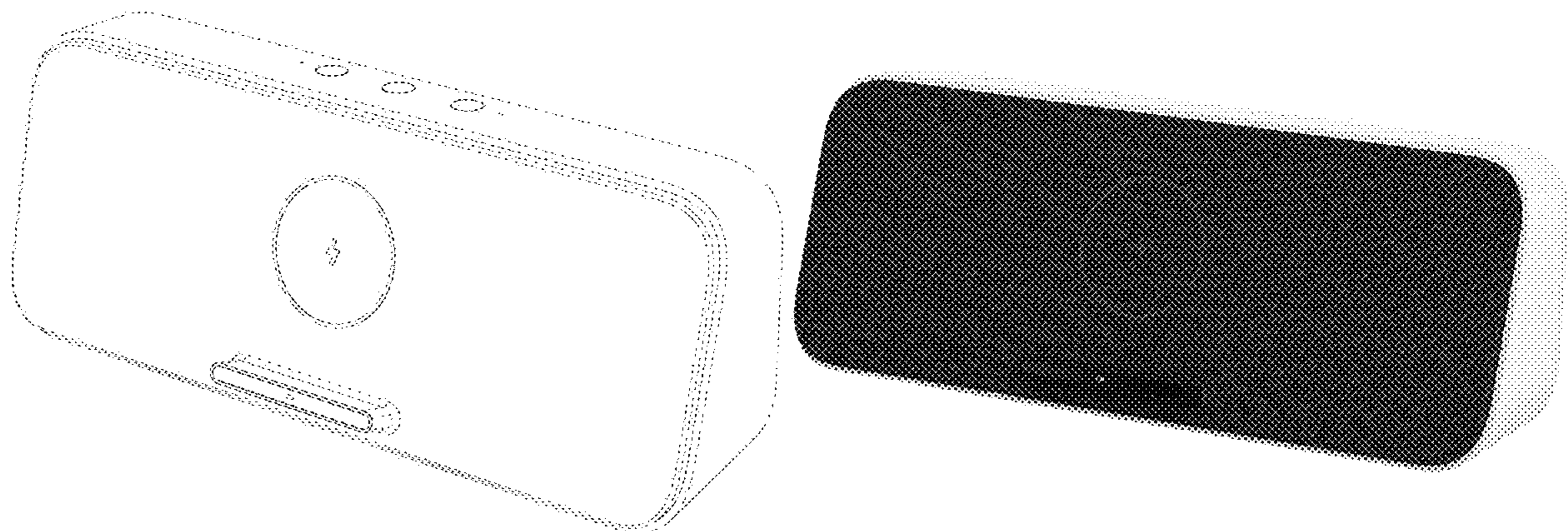
DESCRIPTION

The patent or application file contains at least one drawing executed in color. Copies of this patent or patent application publication with color drawing(s) will be provided by the Office upon request and payment of the necessary fee.

- 1.-2. Speaker
- 1.1 : Front
- 1.2 : Back
- 1.3 : Left
- 1.4 : Right
- 1.5 : Top
- 1.6 : Bottom
- 1.7 : Perspective view 1
- 1.8 : Perspective view 2
- 2.1 : Front
- 2.2 : Back
- 2.3 : Left
- 2.4 : Right
- 2.5 : Top
- 2.6 : Bottom
- 2.7 : Perspective view 1
- 2.8 : Perspective view 2

The product incorporating the designs is used for playing audio; the drawing designated to best show the essential features of the designs is the perspective view 1 of design 1; the design 1 is pointed as basic design.

1 Claim, 16 Drawing Sheets
(8 of 16 Drawing Sheet(s) Filed in Color)



(56)

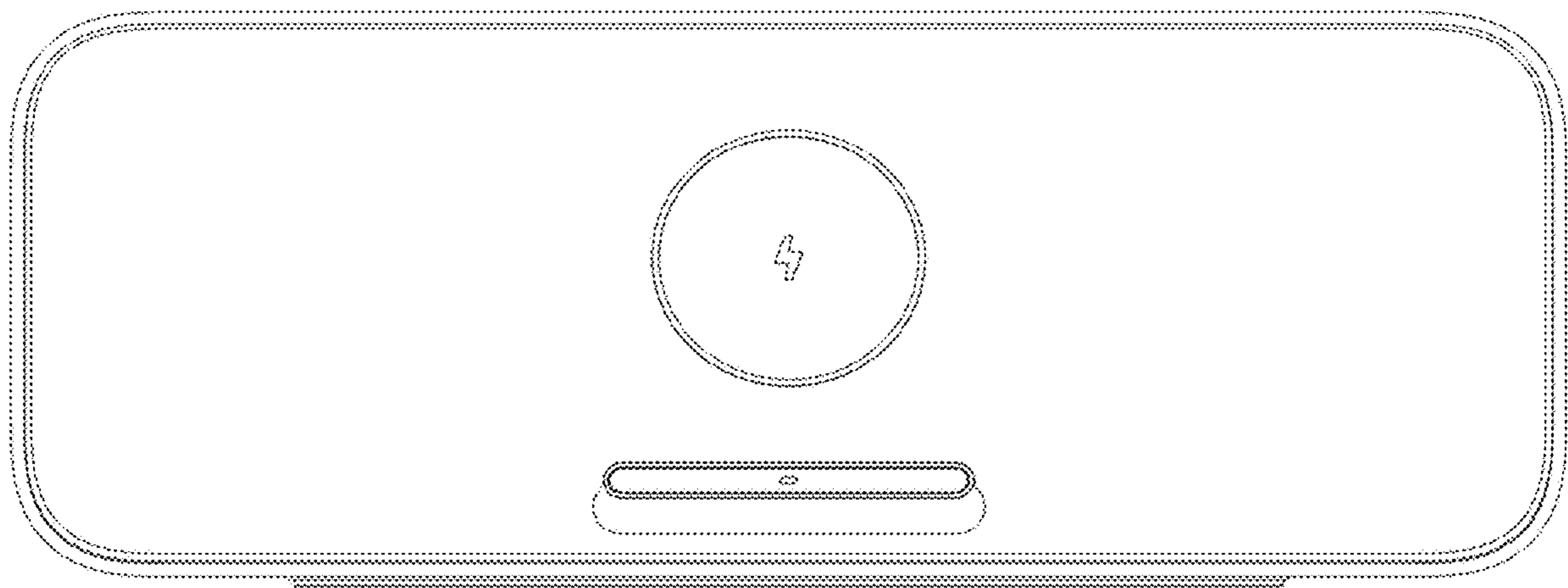
References Cited

U.S. PATENT DOCUMENTS

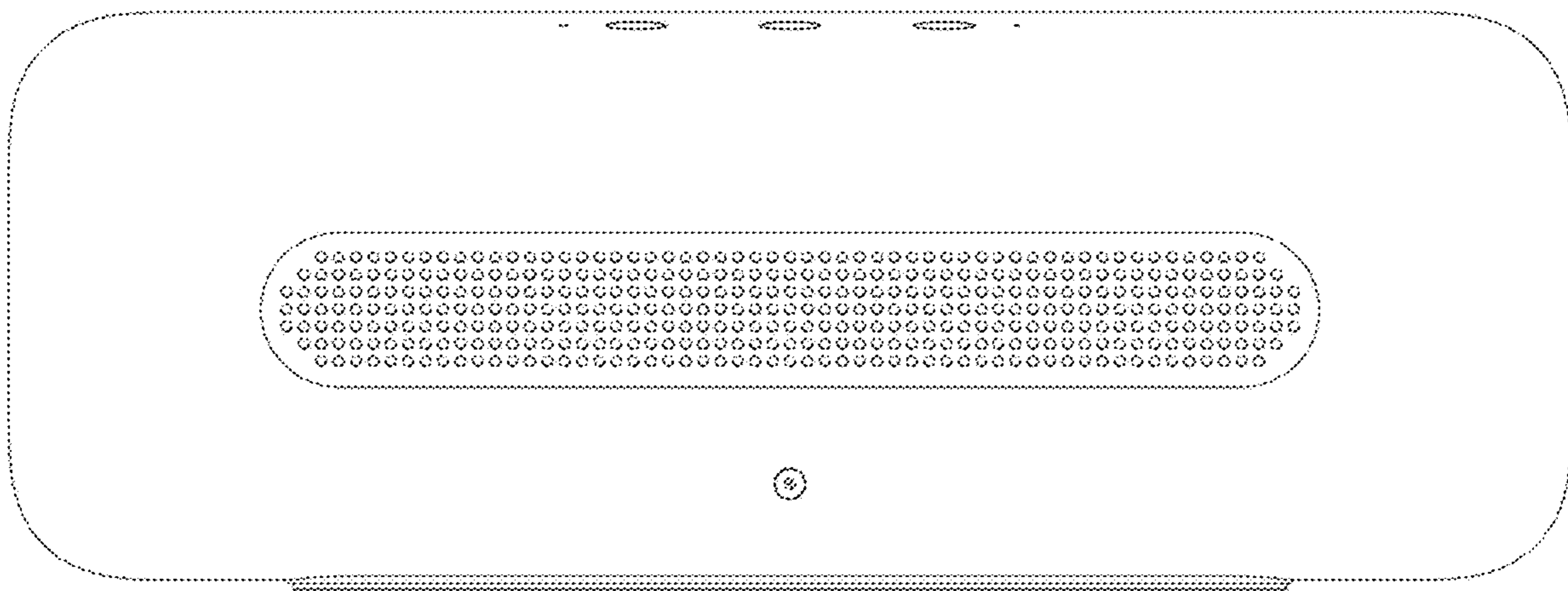
D688,229	S *	8/2013	Ryu	D14/209.1
D726,685	S *	4/2015	Cheng	D14/212
D735,168	S *	7/2015	Cheng	D14/221
D736,747	S *	8/2015	Yau	D14/221
D752,558	S *	3/2016	Cheng	D14/221
D777,147	S *	1/2017	Cheng	D14/221
D777,709	S *	1/2017	Yau	D14/221
D795,216	S *	8/2017	Poandl	D14/172
D800,095	S *	10/2017	Yao	D14/214
D833,416	S *	11/2018	Hu	D14/204
D852,781	S *	7/2019	Hotson	D14/215
D888,686	S *	6/2020	Cheng	D14/214
D894,149	S *	8/2020	Li	D14/172
D897,992	S *	10/2020	Chan	D14/214
D911,308	S *	2/2021	Huang	D14/214
D916,045	S *	4/2021	Wu	D14/204
D923,604	S *	6/2021	Guo	D14/214
D924,836	S *	7/2021	Brown	D14/204
D929,363	S *	8/2021	He	D14/204
D931,902	S *	9/2021	Moore	D14/496
2015/0195635	A1 *	7/2015	Garfio	H04R 31/006 381/386

* cited by examiner

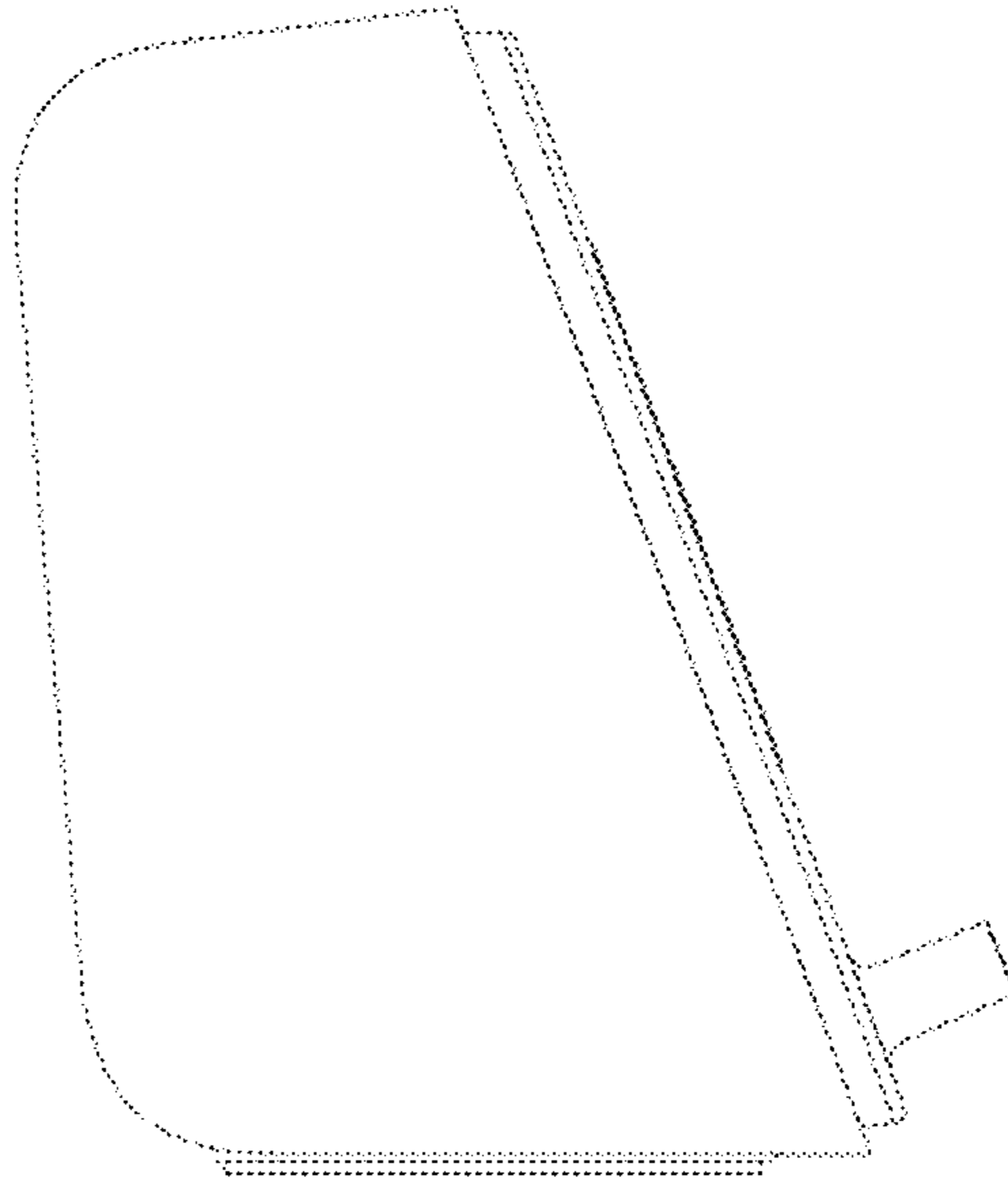
1.1



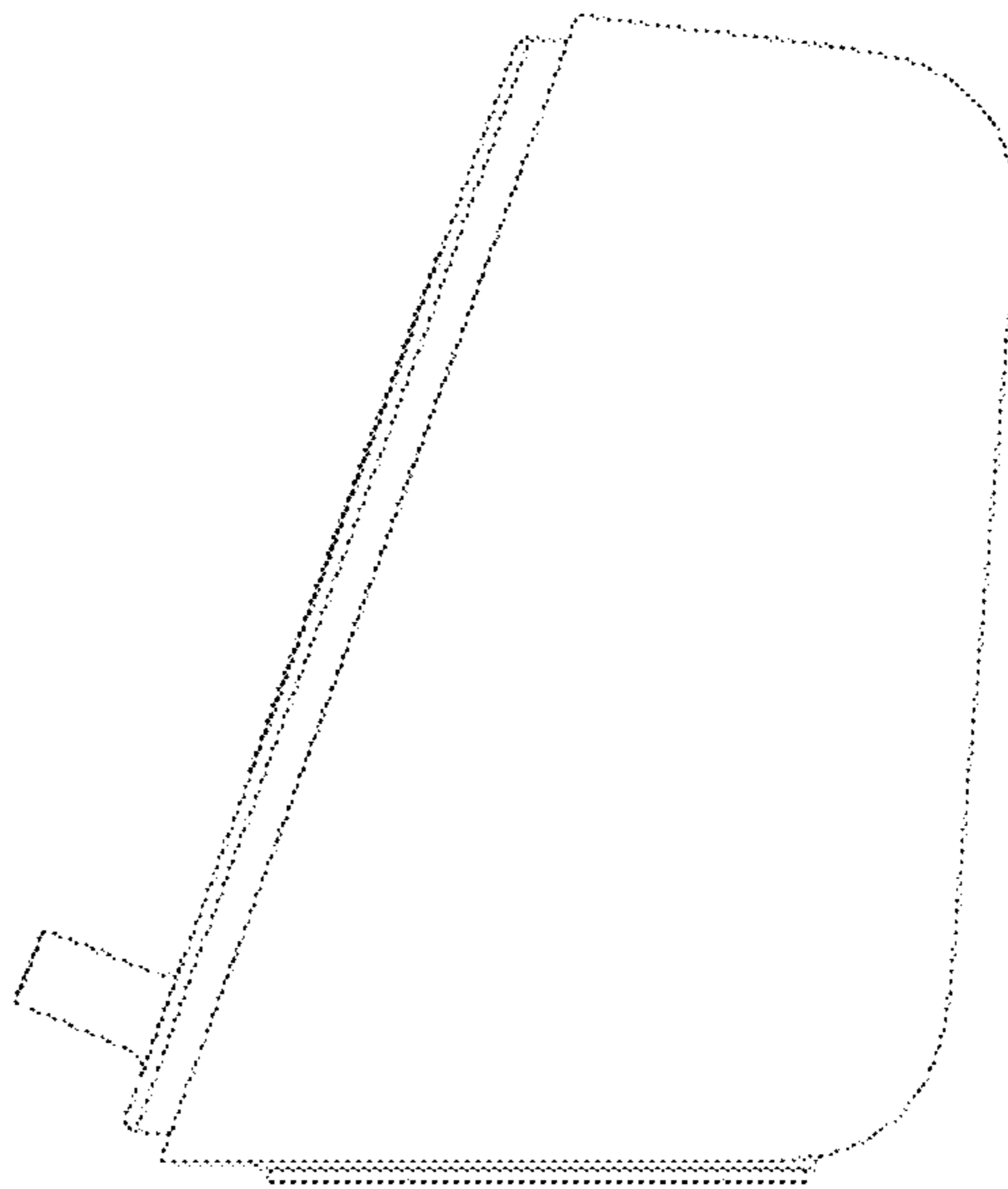
1.2



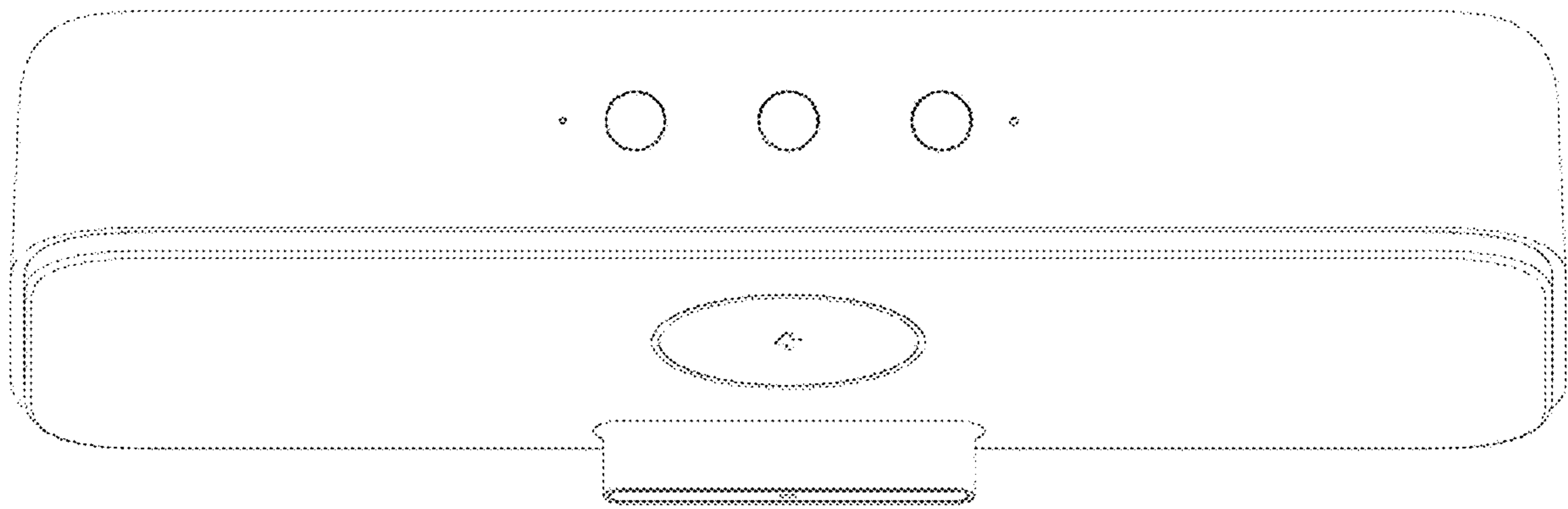
1.3



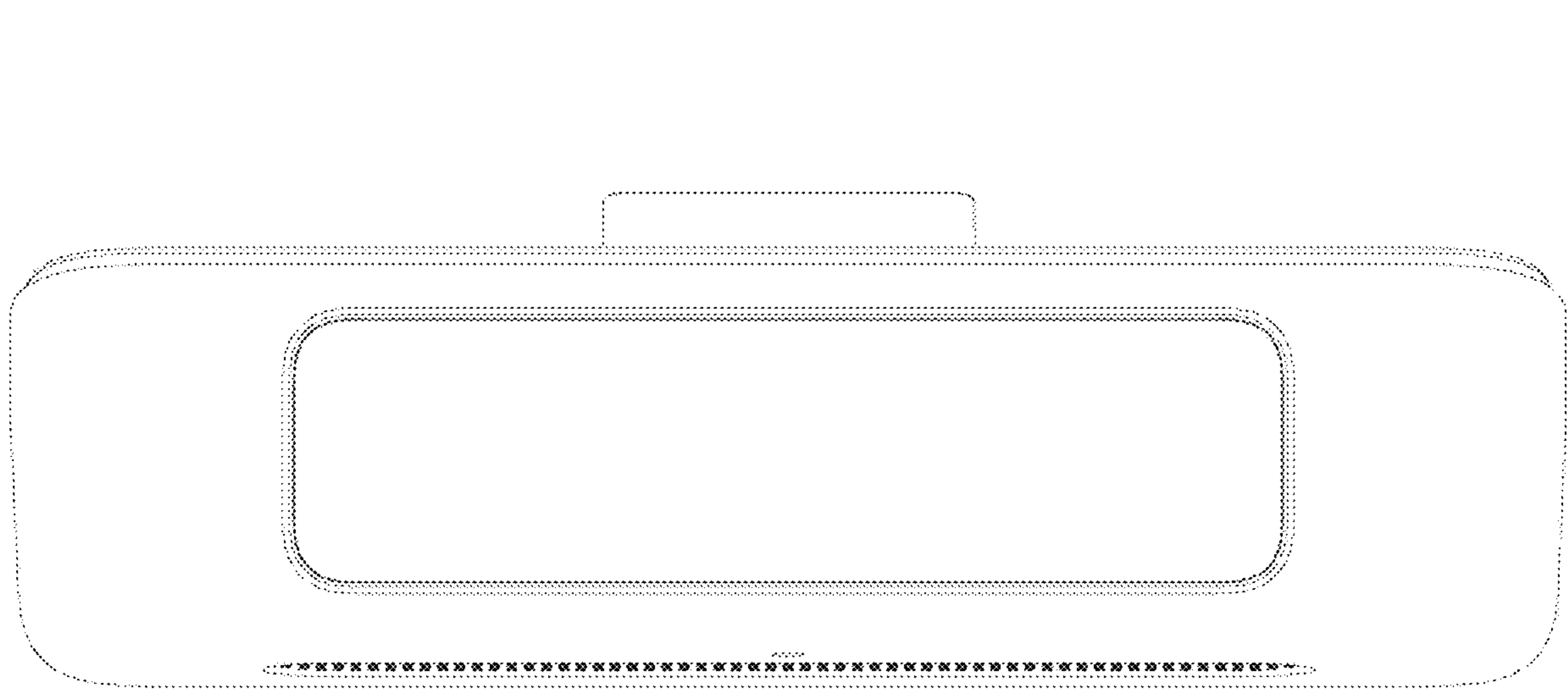
1.4



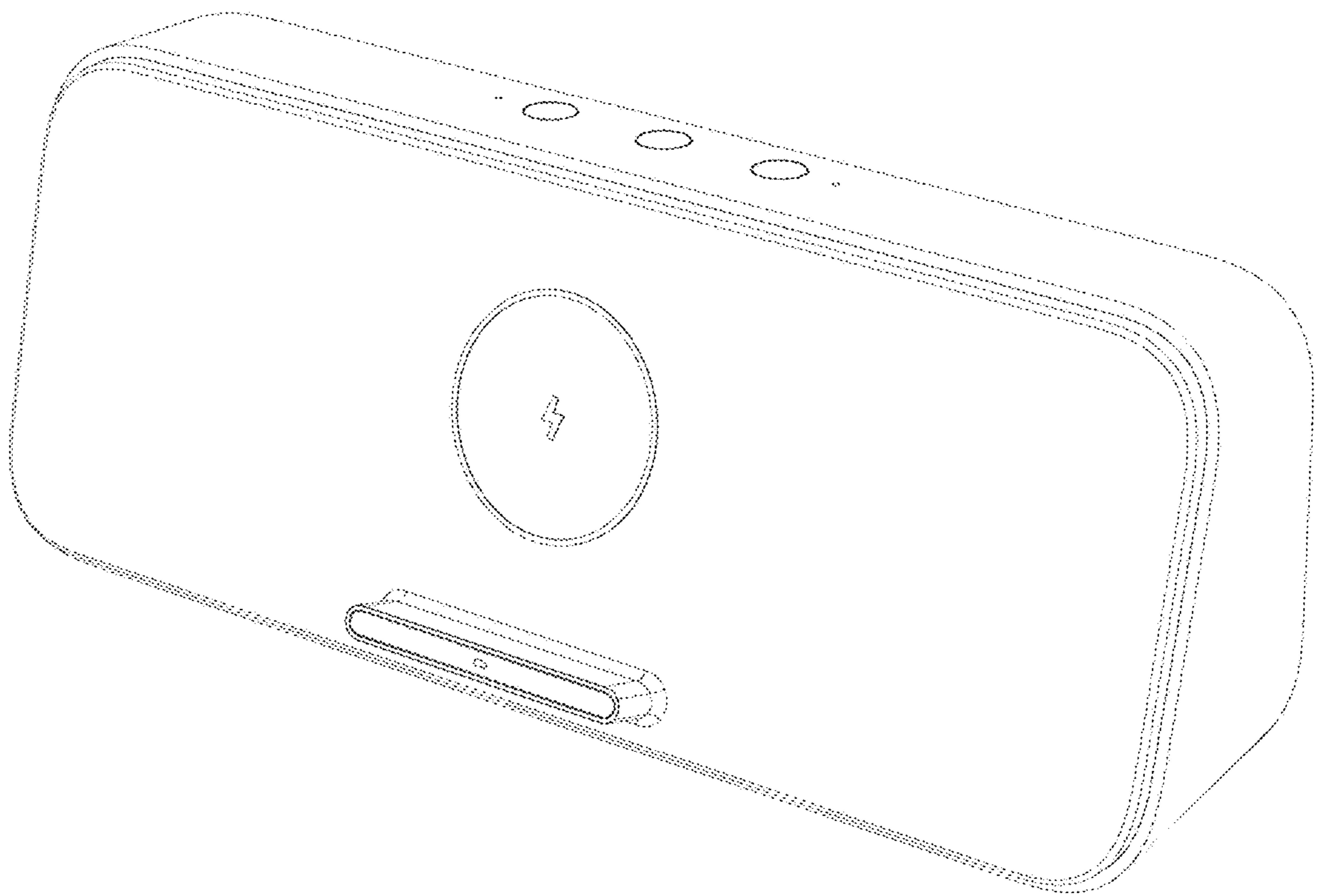
1.5



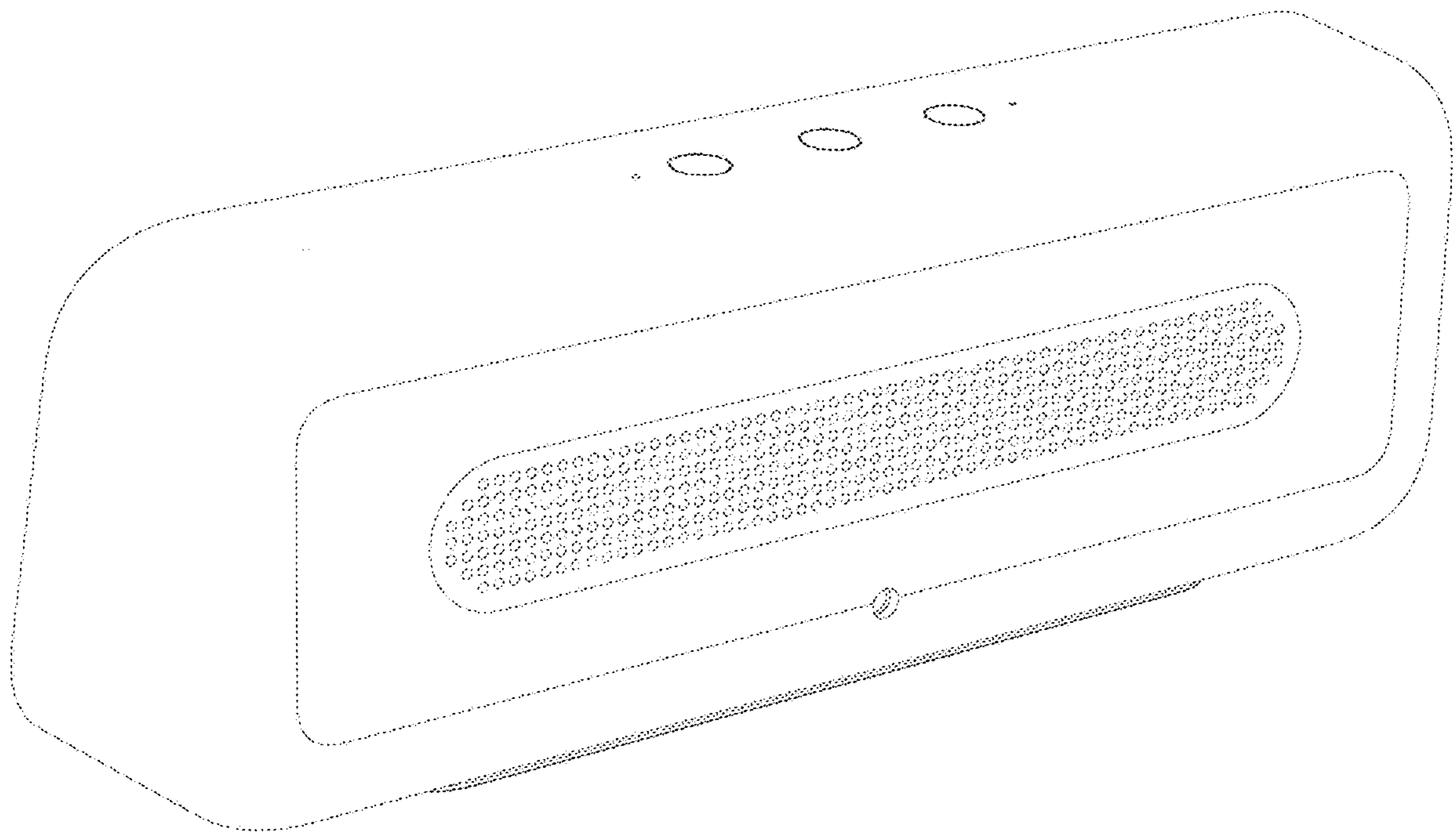
1.6



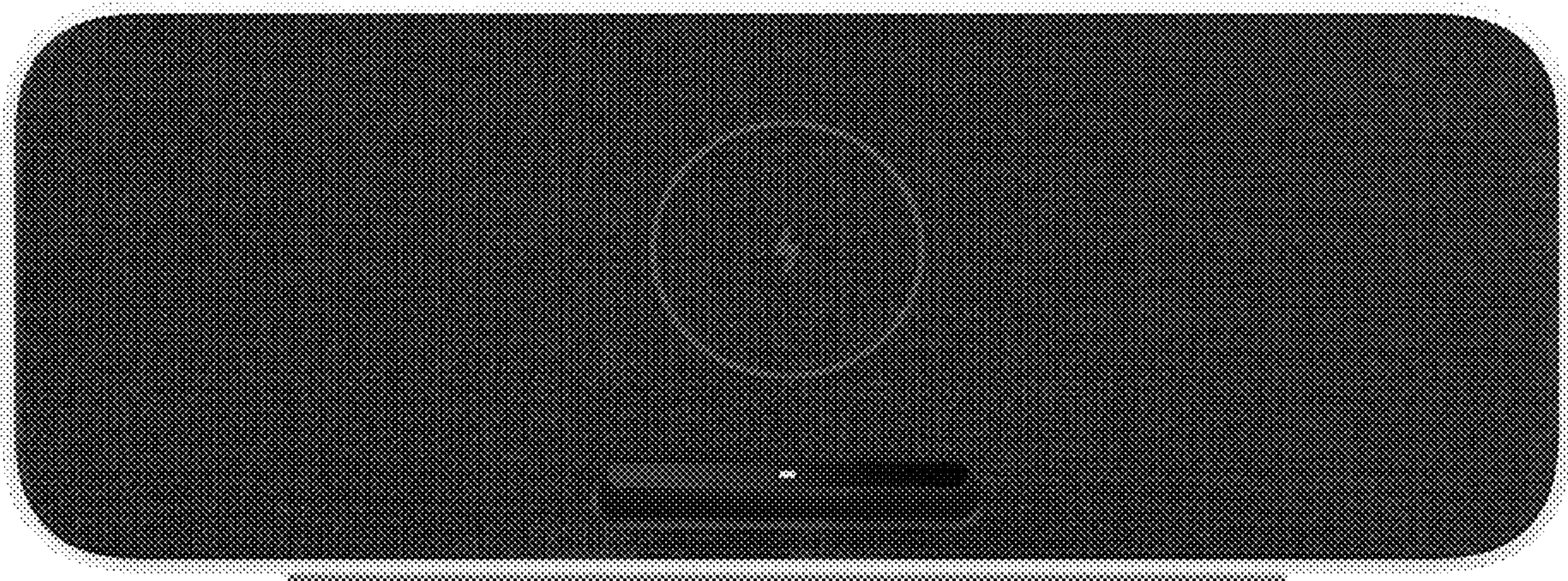
1.7



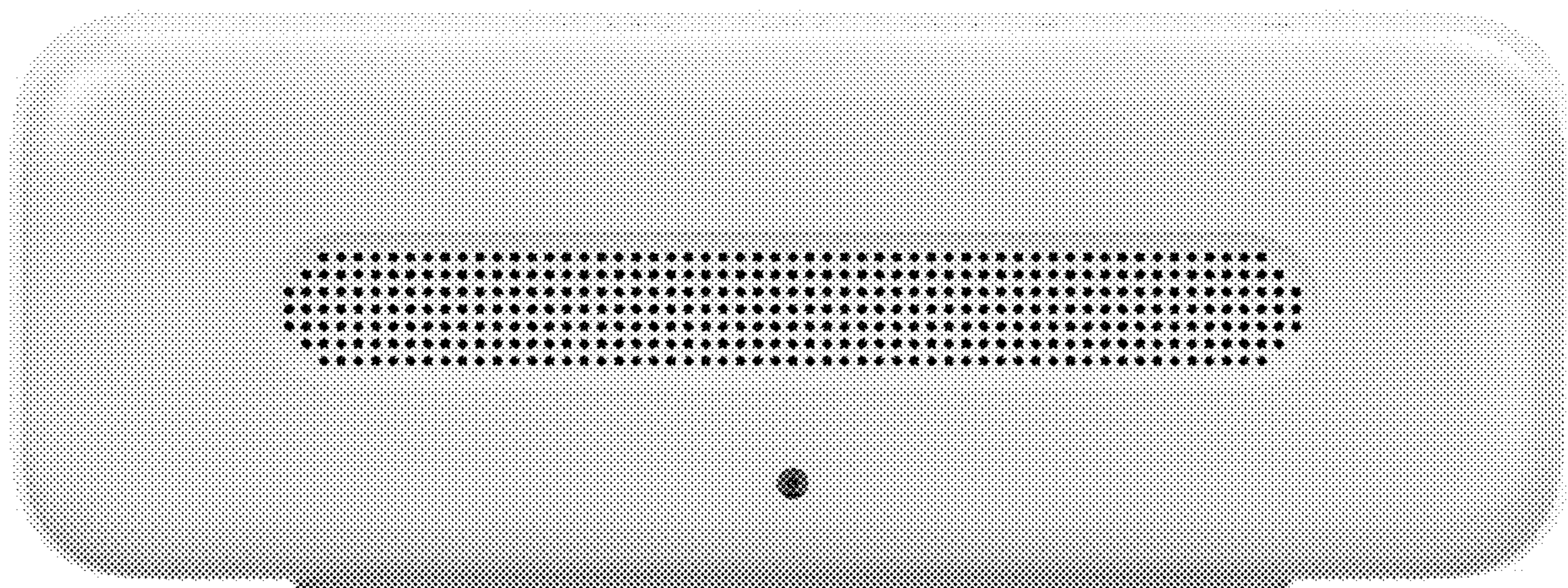
1.8



2.1



2.2



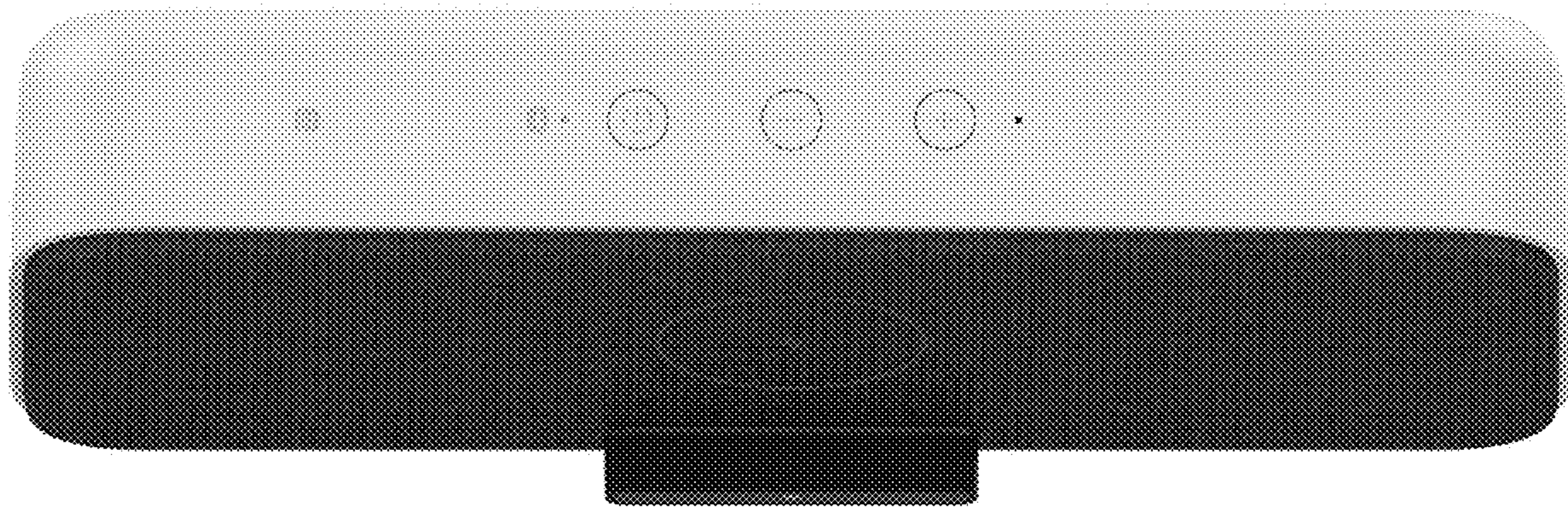
2.3



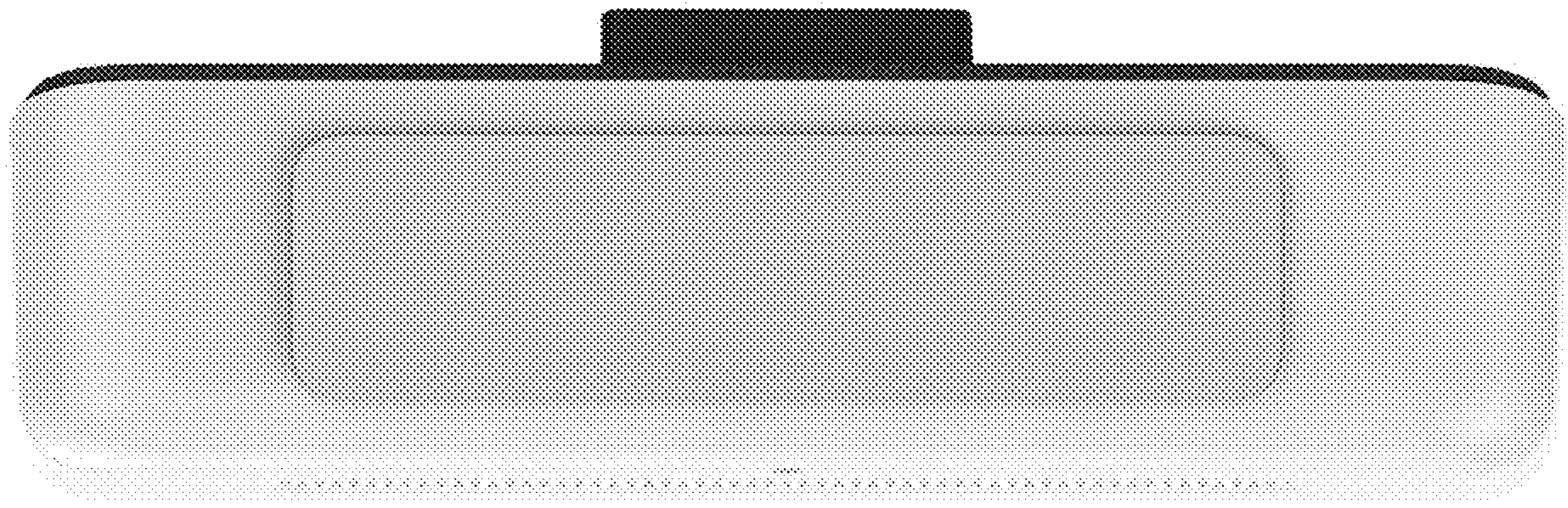
2.4



2.5



2.6



2.7



2.8

