



US00D939468S

(12) **United States Design Patent** (10) **Patent No.:** **US D939,468 S**
North et al. (45) **Date of Patent:** **** Dec. 28, 2021**

(54) **AUDIOVISUAL COMMUNICATION DEVICE**

(71) Applicant: **Elo Touch Solutions, Inc.**, Milpitas, CA (US)

(72) Inventors: **Kenneth John North**, San Carlos, CA (US); **Fareed Uddin**, San Jose, CA (US); **Brian David Perry**, Knoxville, TN (US); **Asela Ekanayake**, Santa Clara, CA (US)

(73) Assignee: **Elo Touch Solutions, Inc.**, Milpitas, CA (US)

(**) Term: **15 Years**

(21) Appl. No.: **29/725,918**

(22) Filed: **Feb. 27, 2020**

(51) **LOC (13) Cl.** **14-03**

(52) **U.S. Cl.**
USPC **D14/149**; D14/240

(58) **Field of Classification Search**
USPC D14/240, 242, 357, 358, 140-140.9, 155, D14/125, 137, 139, 243, 348, 349, 351, D14/354, 355, 491, 496, 149
CPC H04L 12/00; H03K 17/00; H04W 88/00; H04W 88/005; H04W 88/02; H04W 88/08; H04W 88/085; H04W 88/10; H04W 88/12; H04W 88/14; H04B 1/38
See application file for complete search history.

(56) **References Cited**

U.S. PATENT DOCUMENTS

D549,726 S * 8/2007 Van Dongen D14/491
D575,261 S * 8/2008 Freed D14/130
D624,408 S * 9/2010 Straker D9/434
D625,332 S * 10/2010 Umezawa D14/493
D667,460 S * 9/2012 Wujcik D14/495
D705,260 S * 5/2014 Gerssen D14/491
D723,480 S * 3/2015 Lee D14/125
D743,359 S * 11/2015 Tatem D14/125

D746,795 S * 1/2016 Burlingame D14/221
D753,639 S * 4/2016 Marzynski D14/240
D754,110 S * 4/2016 Jung D14/240
D763,818 S * 8/2016 Yang D14/204
D768,193 S * 10/2016 Choi D14/491
D782,429 S * 3/2017 Xianda D14/125
D788,168 S * 5/2017 Taylor D14/491
D826,938 S * 8/2018 Son D14/388
D849,006 S * 5/2019 Pang D14/433
D870,750 S * 12/2019 Kim D14/485

(Continued)

OTHER PUBLICATIONS

Sharing Vector Images, Date First Available: Aug. 2, 2019, [online], [retrieved on Sep. 10, 2021]. Retrieved from Internet ,<URL: <https://web.archive.org/web/20190802080738/https://www.istockphoto.com/illustrations/sharing>>.*

(Continued)

Primary Examiner — Bridget L Eland

(74) *Attorney, Agent, or Firm* — Sterne, Kessler, Goldstein & Fox P.L.L.C.

(57) **CLAIM**

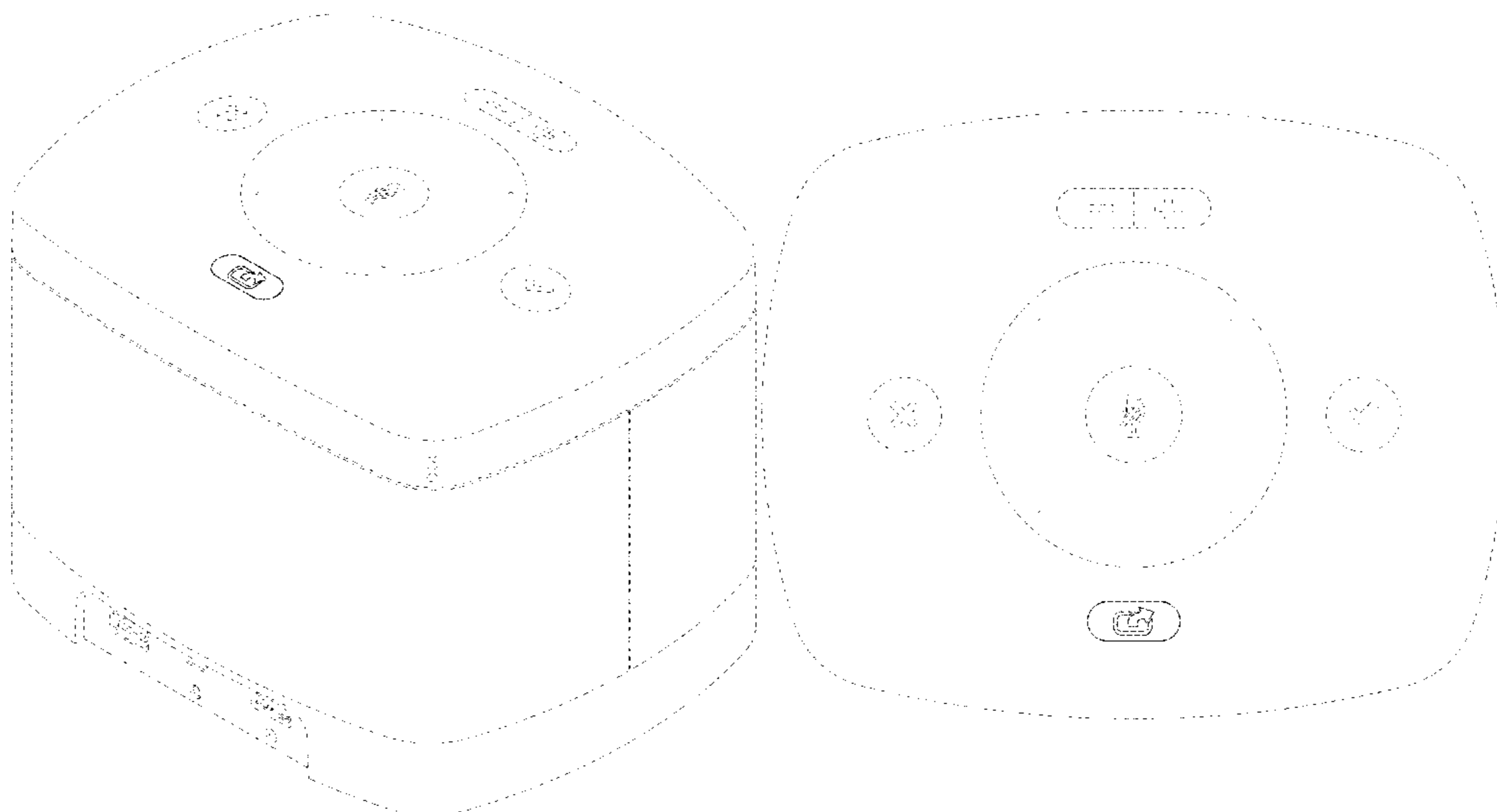
The ornamental design for an audiovisual communication device, as shown and described.

DESCRIPTION

FIG. 1 is a top front perspective view of an audiovisual communication device showing the claimed design; FIG. 2 is a front view thereof; FIG. 3 is a rear view thereof; FIG. 4 is a left side view thereof; FIG. 5 is a right side view thereof; FIG. 6 is a top view thereof; and, FIG. 7 is a bottom view thereof.

The broken lines in the figures show portions of the audiovisual communication device that form no part of the claimed design.

1 Claim, 7 Drawing Sheets



(56)

References Cited

U.S. PATENT DOCUMENTS

D874,423	S	*	2/2020	Wu	D14/168
D877,127	S	*	3/2020	Bentley	D14/240
D879,076	S	*	3/2020	Sahlin	D14/225
D886,765	S	*	6/2020	Wilberding	D14/204
D889,461	S	*	7/2020	Seo	D14/358
D901,441	S	*	11/2020	Huang	D14/214
D906,279	S	*	12/2020	Nam	D14/204
D920,278	S	*	5/2021	Wilberding	D14/204

OTHER PUBLICATIONS

Amazon.com, "Sonos One (Gen 2)—Voice Controlled Smart Speaker with Amazon Alexa Built in—Black", (<https://www.amazon.com/Sonos-One-Gen-Controlled-Built/dp/B07NJPXRBC>), accessed Feb. 27, 2020, 10 pages.

Doug Depew, "Improve your Communication through Screen Sharing", (<http://aaotechblog.com/2014/12/improve-your-communication-through-screen-sharing/>), Dated Dec. 22, 2014, 4 pages.

Paula Chuchro, "The Iconography of Sharing", (<https://medium.com/microsoft-design/the-iconography-of-sharing-183a1ad9c6f1>), Dated Feb. 8, 2017, 3 pages.

* cited by examiner

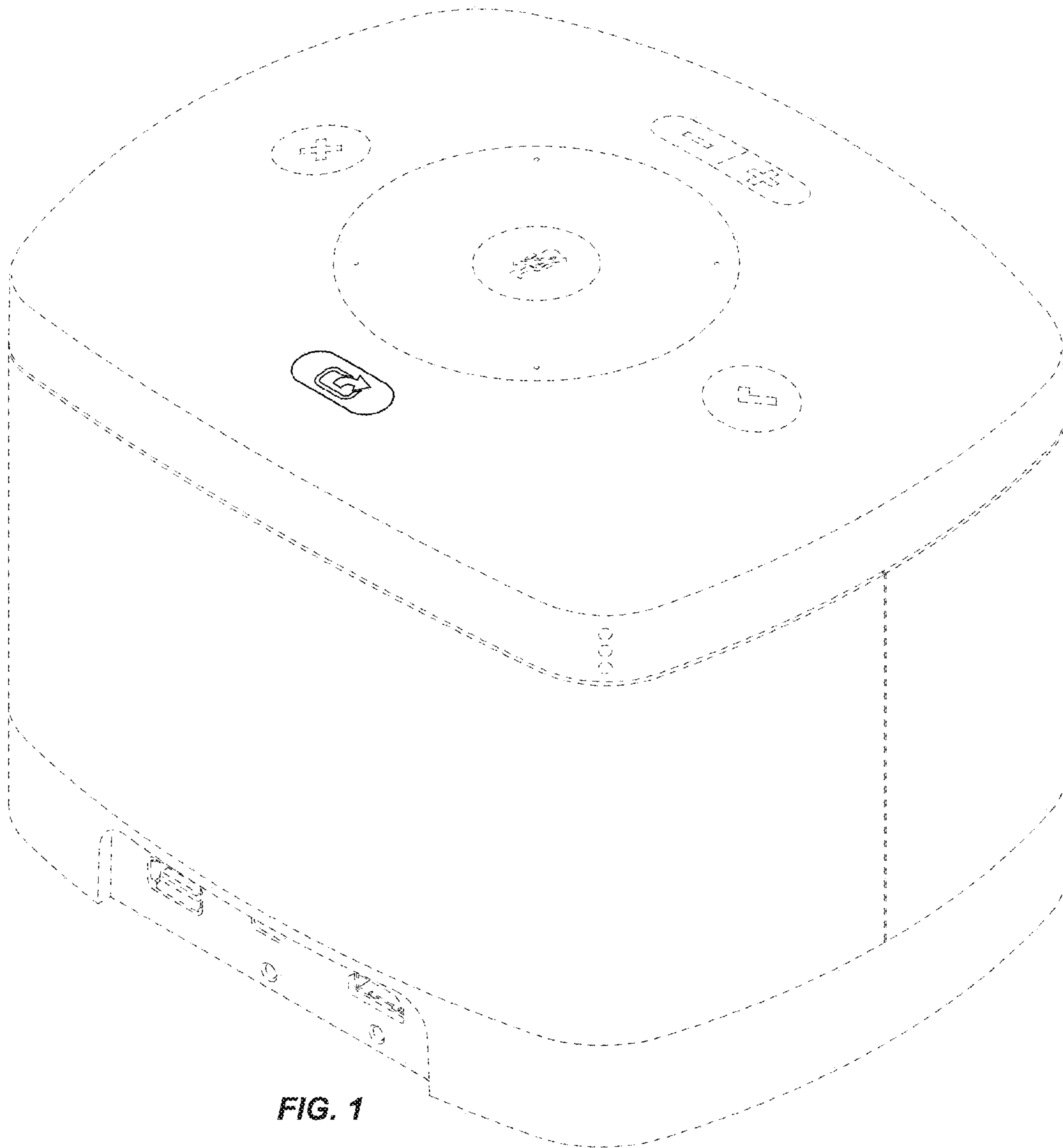


FIG. 1

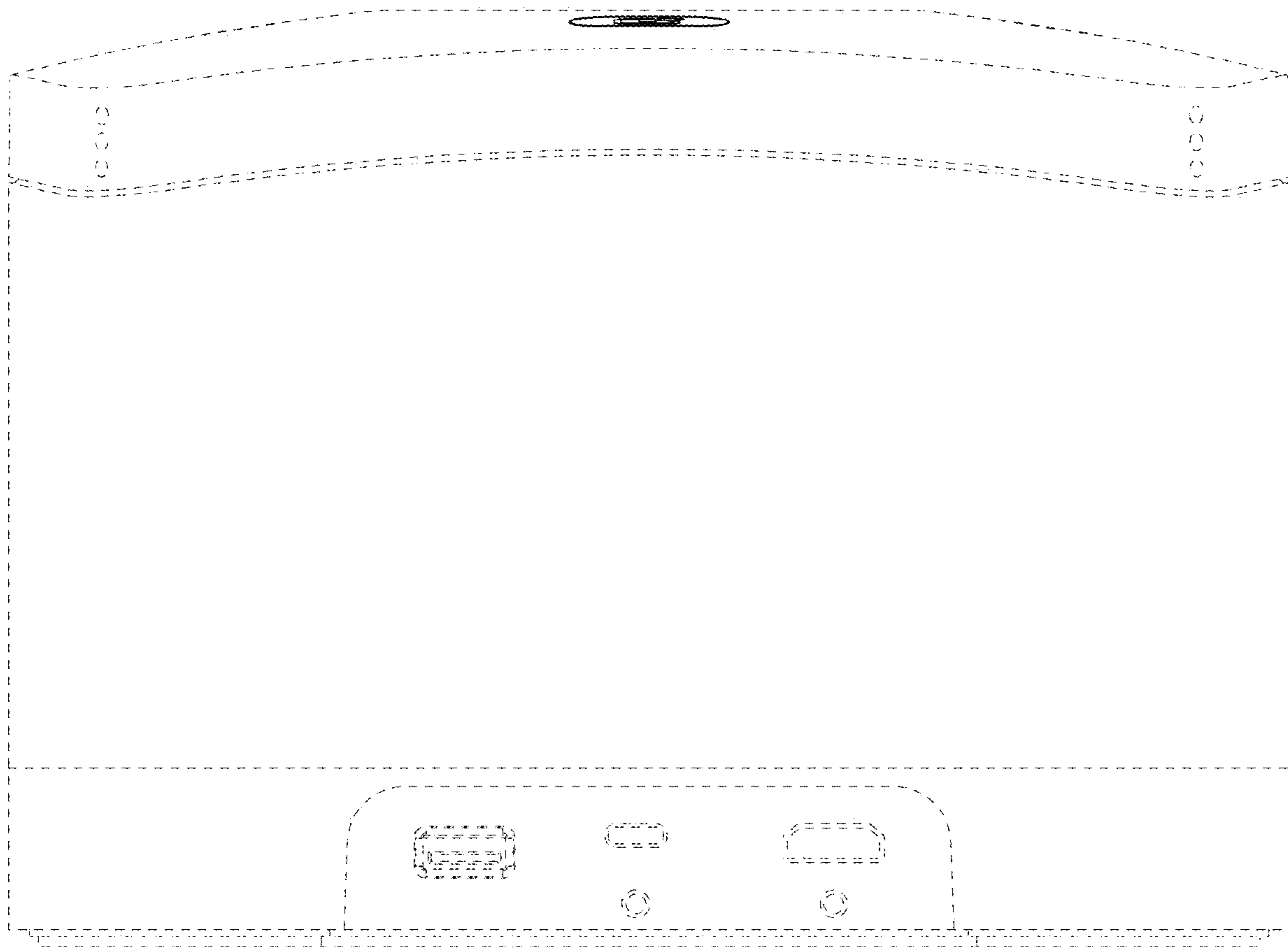


FIG. 2

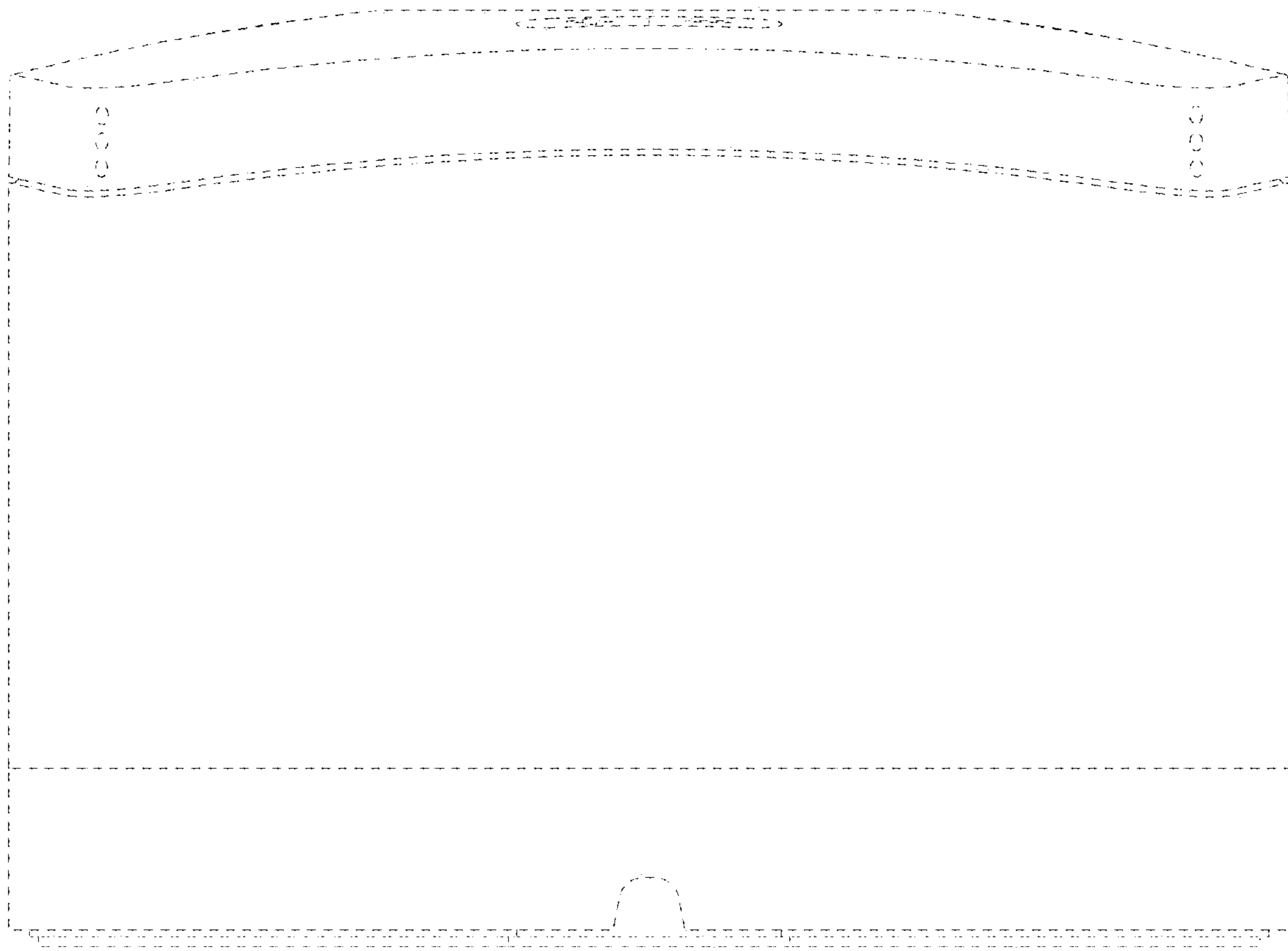


FIG. 3

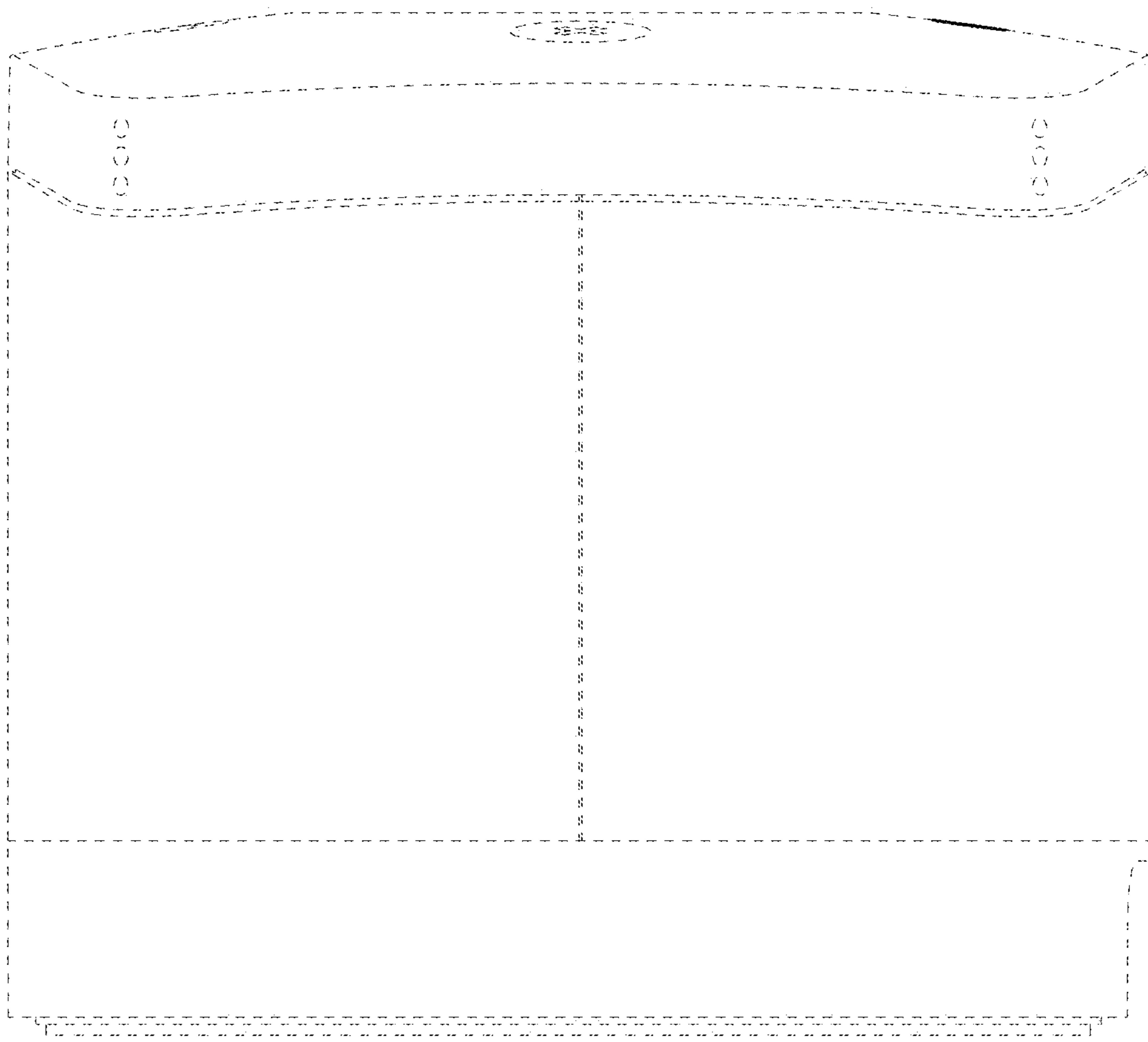


FIG. 4

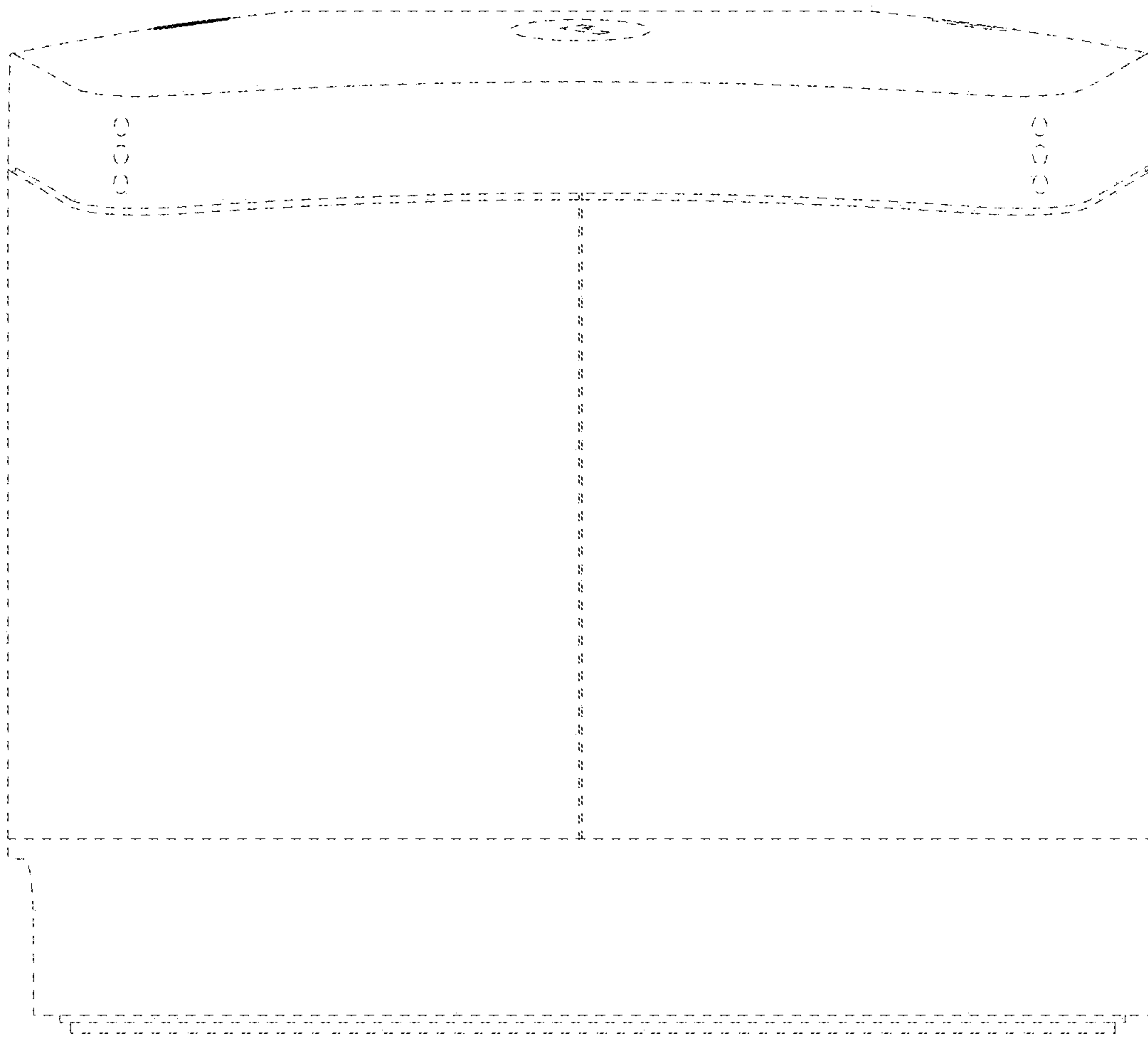


FIG. 5

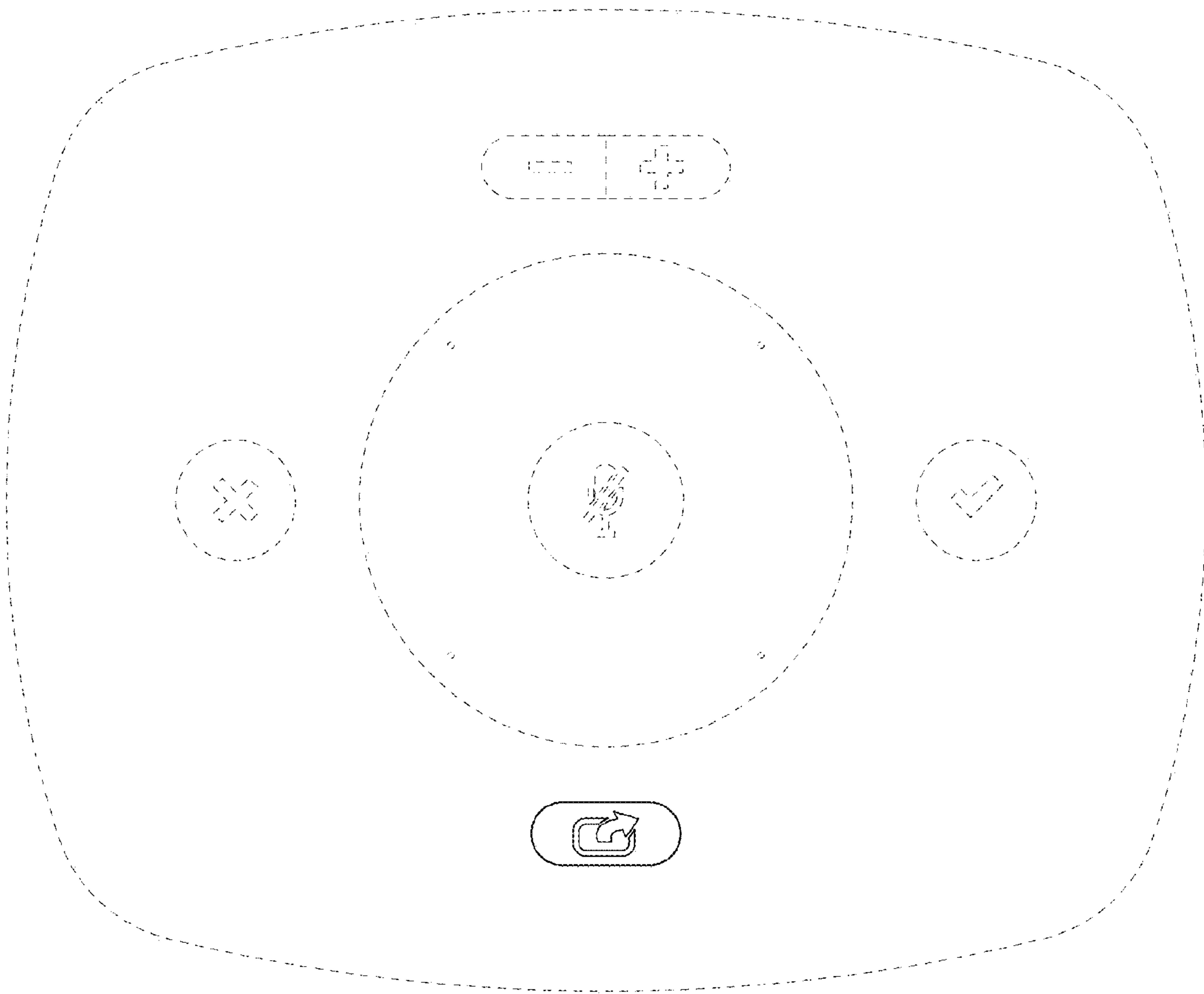


FIG. 6

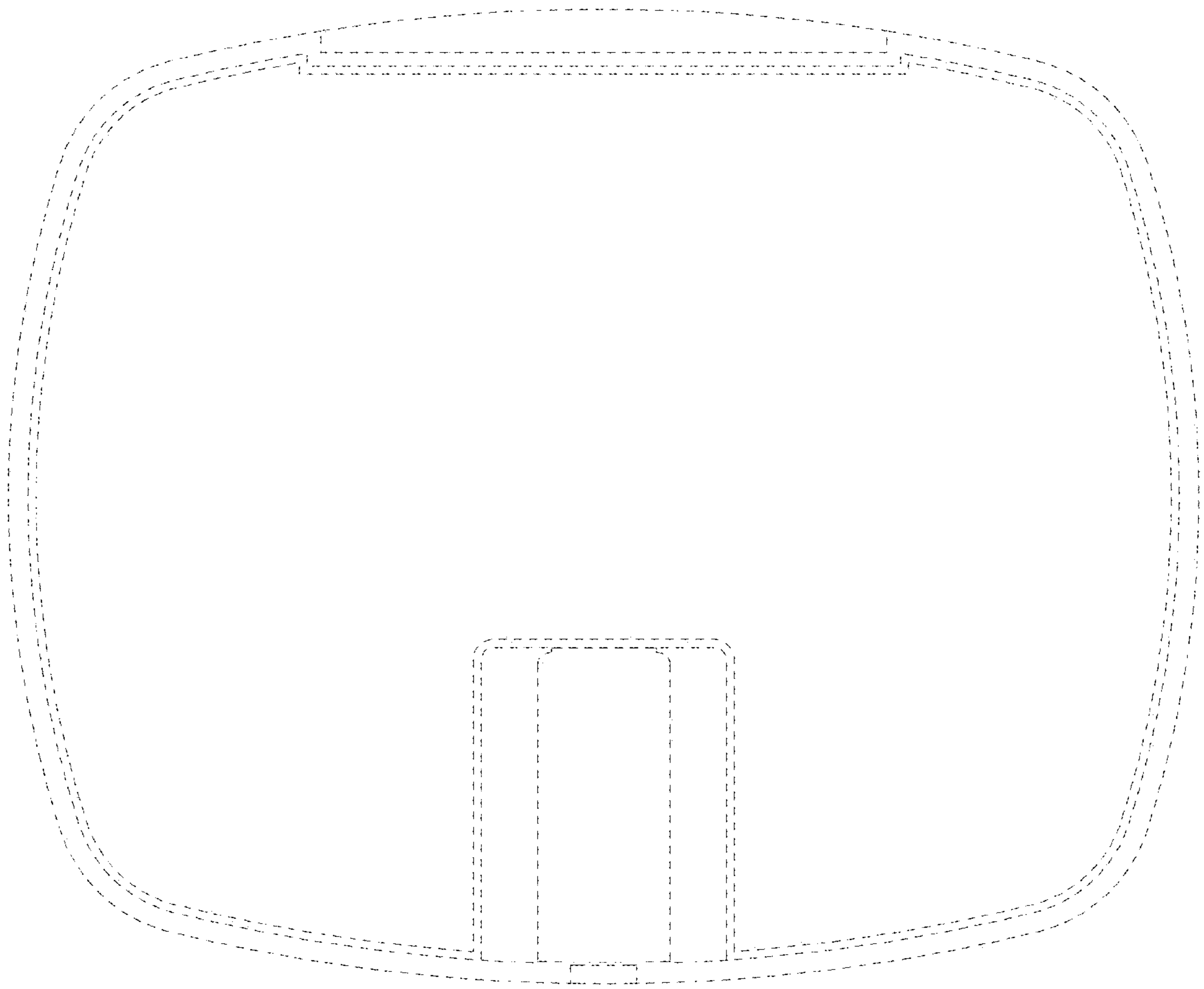


FIG. 7