



US00D939462S

(12) **United States Design Patent**  
**Song et al.**

(10) **Patent No.:** **US D939,462 S**  
(45) **Date of Patent:** **\*\* Dec. 28, 2021**

(54) **TELEVISION RECEIVER**

CPC .. H04M 1/0202; H04M 1/0266; H04M 1/725;  
G06F 1/1626

(71) Applicant: **LG Display Co., Ltd.**, Seoul (KR)

See application file for complete search history.

(72) Inventors: **Hyun Jin Song**, Jeonju-si (KR); **Ji Woon Min**, Paju-si (KR); **Young Nam Lee**, Bupyeong-gu (KR); **Jin Ho Choi**, Paju-si (KR); **Il Yong Kim**, Jung-gu (KR); **Jang Hyun Cho**, Seoul (KR)

(56) **References Cited**

U.S. PATENT DOCUMENTS

D424,538 S 5/2000 Hayashi et al.  
6,788,527 B2 9/2004 Doczy et al.  
D534,881 S 1/2007 Ju et al.

(Continued)

FOREIGN PATENT DOCUMENTS

JP D1672616 \* 11/2020  
KR 300928871.0000 \* 10/2020

(Continued)

OTHER PUBLICATIONS

LG OLED65CXPUA, date first available: Nov. 8, 2019, [retrieved Sep. 22, 2021], Retrieved from Internet, URL: <<https://www.amazon.com/LG-OLED55CXPUA-Alexa-Built-Ultra/dp/B0817H41YN/r?&linkCode=ll1&tag=0618besttvs-20&linkId=e2a60c316d2e64c2f4%E2%80%A6>> (Year: 2019).\*

(Continued)

*Primary Examiner* — Barbara Fox  
*Assistant Examiner* — Aram Kwon

(74) *Attorney, Agent, or Firm* — Birch, Stewart, Kolasch & Birch, LLP

(73) Assignee: **LG DISPLAY CO., LTD.**, Seoul (KR)

(\*\*) Term: **15 Years**

(21) Appl. No.: **29/664,513**

(22) Filed: **Sep. 26, 2018**

**Related U.S. Application Data**

(62) Division of application No. 35/502,363, filed on Aug. 2, 2016 (U.S. filing date under 35 U.S.C. 384), and having an international filing date of Aug. 2, 2016, now Pat. No. Des. 838,682.

**Foreign Application Priority Data**

(30) Feb. 5, 2016 (KR) ..... 30-2016-0006007

(51) **LOC (13) Cl.** ..... **14-03**

(52) **U.S. Cl.**  
USPC ..... **D14/126**

(58) **Field of Classification Search**  
USPC ... D14/125-137, 138 AA, 138 AB, 138 AC, D14/138 AD, 138 C, 138 G, 248, D14/315-318, 341-347, 371, 374; D6/308, 310; D10/50, 65, 104.1; D18/6-7; D19/26, 59-60; D21/324, D21/329-330, 332

(57) **CLAIM**

The ornamental design for a television receiver, as shown and described.

**DESCRIPTION**

FIG. 1 is a front, top, right perspective view of the television receiver showing our new design;  
FIG. 2 is a front view thereof;  
FIG. 3 is a rear view thereof;  
FIG. 4 is a left side view thereof, the right side being a mirror image thereof;

(Continued)

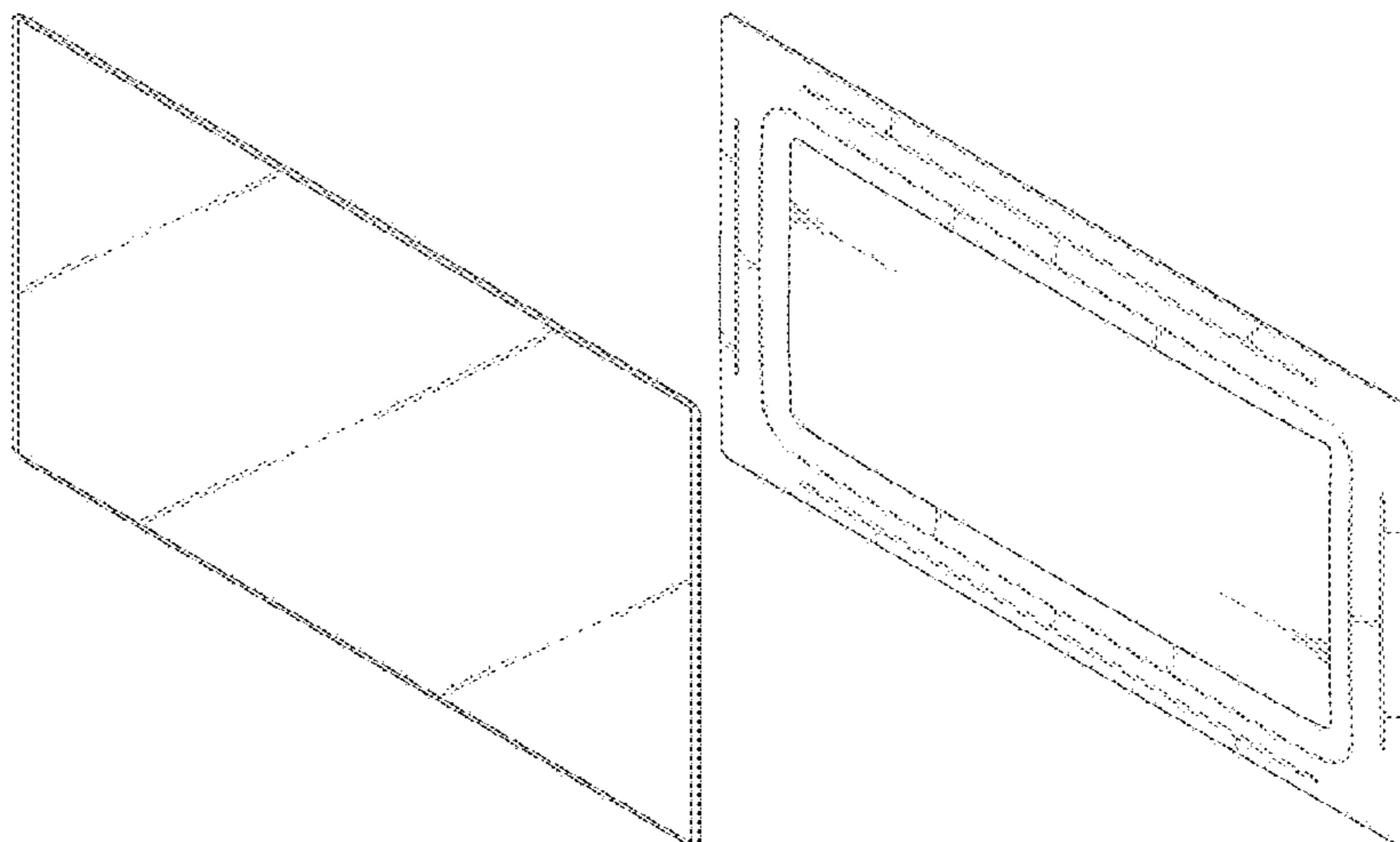


FIG. 5 is a top plan view thereof, the bottom view being a mirror image thereof; and, FIG. 6 is a left, top, rear perspective view thereof.

**1 Claim, 4 Drawing Sheets**

(56)

**References Cited**

U.S. PATENT DOCUMENTS

D589,478 S	3/2009	Wang	
D601,814 S	10/2009	Lissola	
D608,315 S	1/2010	Mitsubishi	
D609,660 S	2/2010	VanDuyen et al.	
D609,661 S	2/2010	VanDuyen et al.	
D615,527 S	5/2010	Hwang	
D616,436 S	5/2010	Busri	
D623,614 S	9/2010	Wang	
D629,373 S	12/2010	Kim et al.	
D629,769 S	12/2010	Zhong	
D634,320 S	3/2011	Bliven et al.	
D635,976 S *	4/2011	Lee .....	D14/374
D645,465 S	9/2011	Lin et al.	
D646,258 S	10/2011	van der Flier	
D651,995 S	1/2012	Johnson et al.	
D656,473 S	3/2012	Laube et al.	
D656,935 S	4/2012	Jones et al.	
D658,140 S	4/2012	Hwangbo et al.	
D666,566 S	9/2012	Sugita	
D670,256 S	11/2012	Kim et al.	
D670,257 S	11/2012	Yang et al.	
D673,560 S	1/2013	Kim	
D683,709 S	6/2013	Choi	

D687,399 S	8/2013	Takami et al.	
D691,571 S	10/2013	Park et al.	
D704,159 S	5/2014	Daniel	
D710,351 S	8/2014	Park et al.	
D722,987 S *	2/2015	Kim .....	D14/126
D722,988 S *	2/2015	Kim .....	D14/126
D723,482 S *	3/2015	Kim .....	D14/126
D741,320 S *	10/2015	Heck .....	D14/341
D753,077 S	4/2016	Margis et al.	
D807,842 S	1/2018	Sugita	
D812,029 S *	3/2018	Kim .....	D14/126
D812,030 S *	3/2018	Kim .....	D14/126
D817,909 S	5/2018	Song et al.	
D838,682 S *	1/2019	Song .....	D14/126
D860,148 S *	9/2019	Kim .....	D14/126
2010/0162326 A1 *	6/2010	Bonar .....	B64D 11/0023 725/77

FOREIGN PATENT DOCUMENTS

KR	300930871.0000	*	11/2020
WO	WOD091993-001	*	2/2017
WO	WOD213291-001	*	9/2021

OTHER PUBLICATIONS

Here's our first look at LG's new impossibly thin 'Wallpaper' 4K OLED displays, Jan. 4, 2017, [retrieved Sep. 22, 2021], Retrieved from Internet, URL: <<https://9to5toys.com/2017/01/04/lgs-impossibly-thin-wallpaper-4k-oled-displays/>> (Year: 2017).\*

TVs are getting so thin, it's like they're disappearing, Jan. 7, 2017, [retrieved Sep. 22, 2021], Retrieved from Internet, URL: <<https://mashable.com/article/televisions-get-thinner>> (Year: 2017).\*

\* cited by examiner

FIG. 1

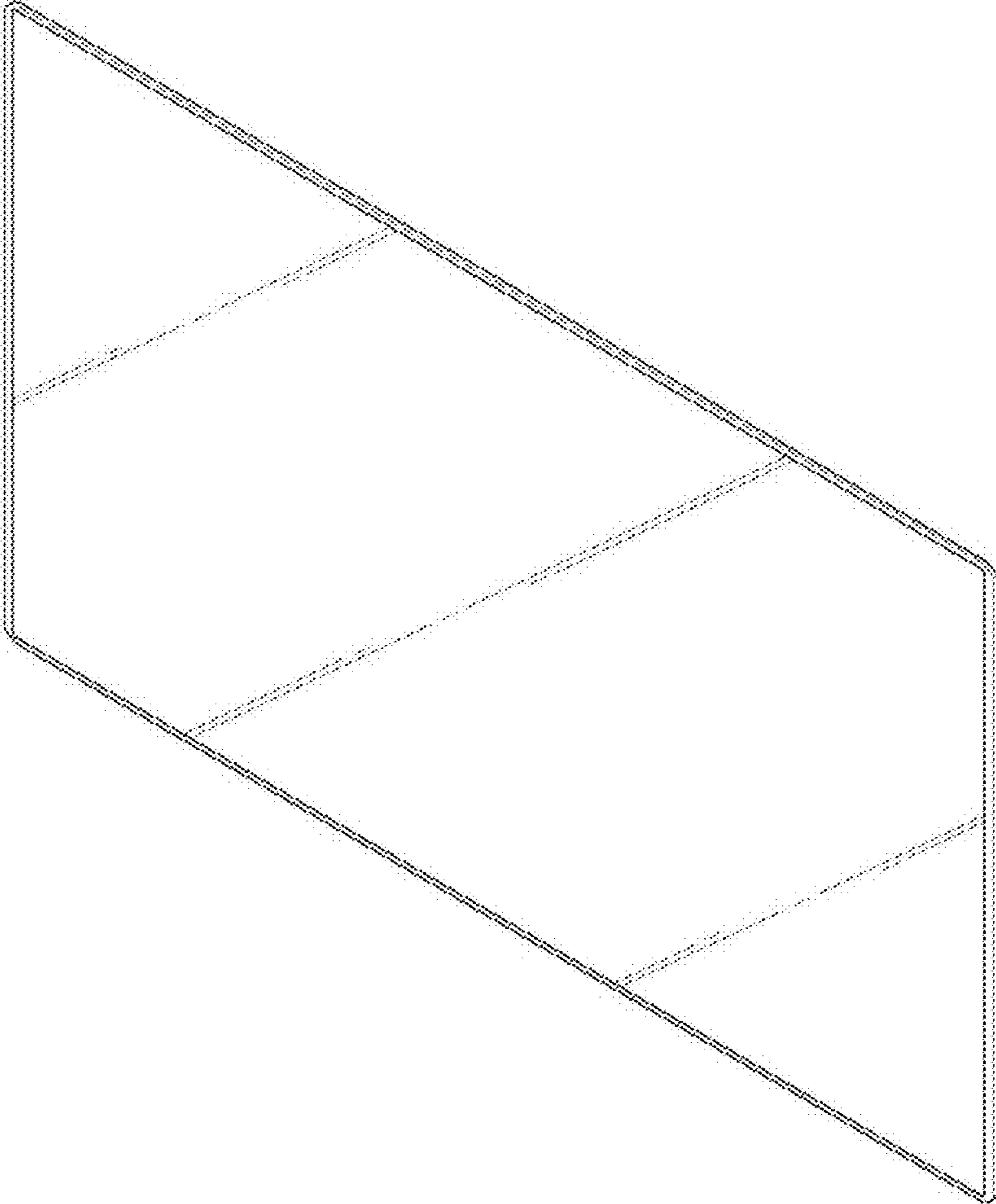


FIG. 2

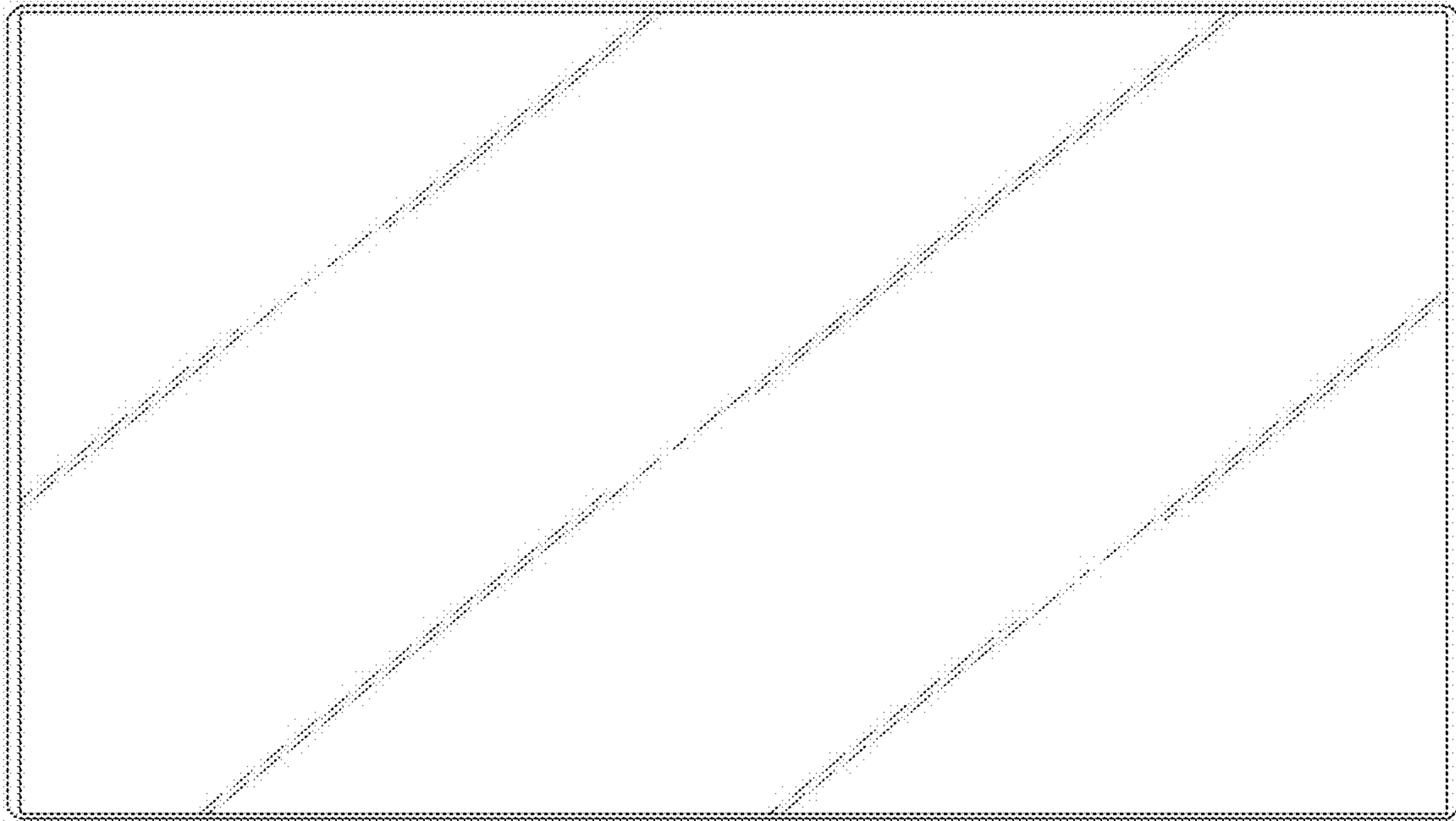


FIG. 3

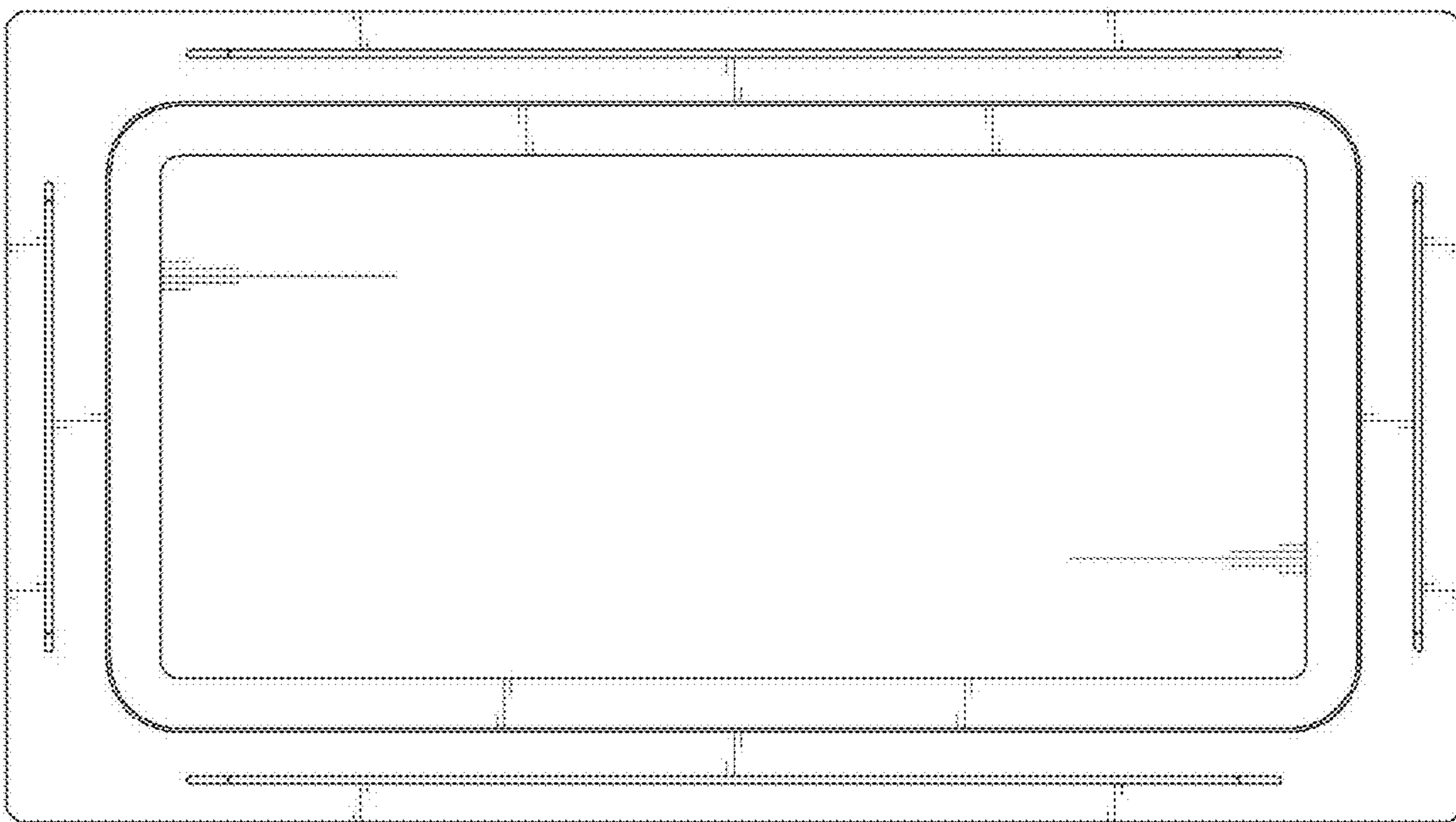


FIG. 4

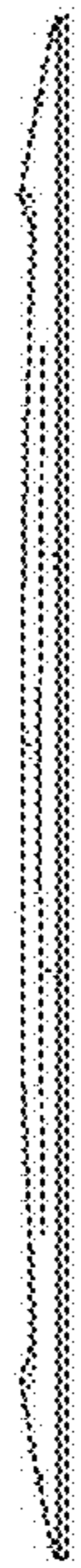


FIG. 5

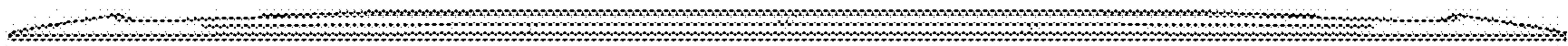


FIG. 6

