



US00D939461S

(12) **United States Design Patent** (10) **Patent No.:** **US D939,461 S**
Kroneberger (45) **Date of Patent:** **** *Dec. 28, 2021**

(54) **TWO-PIECE CRUCIBLE COVER FOR COATING WITH AN ELECTRON BEAM SOURCE**

(71) Applicant: **Ferrotec (USA) Corporation**, Santa Clara, CA (US)

(72) Inventor: **Cris Kroneberger**, Livermore, CA (US)

(73) Assignee: **Ferrotec (USA) Corporation**, Santa Clara, CA (US)

(*) Notice: This patent is subject to a terminal disclaimer.

(**) Term: **15 Years**

(21) Appl. No.: **29/671,855**

(22) Filed: **Nov. 30, 2018**

(51) **LOC (13) Cl.** **13-03**

(52) **U.S. Cl.**
USPC **D13/184; D15/144**

(58) **Field of Classification Search**
USPC D13/184, 133, 199; D15/122, 126, D15/165-138, 144, 144.1, 144.2, 146, D15/199; D24/232-234
CPC C23C 14/243; C23C 14/30
See application file for complete search history.

(56) **References Cited**

U.S. PATENT DOCUMENTS

2,482,329 A	9/1949	Dimmick	
4,748,935 A	6/1988	Wegmann	
4,944,245 A	7/1990	Stoessl et al.	
4,983,806 A *	1/1991	Harper	C23C 14/30 118/126
5,190,590 A *	3/1993	Suzuki	C23C 14/243 118/664
D347,644 S *	6/1994	Bezdicek	D15/144

6,012,413 A *	1/2000	Tsujimoto	C23C 14/30 118/723 EB
6,342,103 B1	6/2002	Ramsay	
D909,439 S *	2/2021	Kroneberger	D15/144
2010/0116198 A1 *	5/2010	Hirose	C30B 15/10 117/208

* cited by examiner

Primary Examiner — Keli L Hill

Assistant Examiner — Harold E Blackwell, II

(74) *Attorney, Agent, or Firm* — Robert R. Deleault, Esq.; Mesmer & Deleault, PLLC

(57) **CLAIM**

I claim the ornamental design for a two-piece crucible cover for coating with an electron beam source, as shown and described.

DESCRIPTION

FIG. 1 is a front, right, perspective view of a two-piece crucible cover for coating with an electron beam source showing my new design.

FIG. 2 is a top plan view of FIG. 1 showing the cover body and the cover insert.

FIG. 3 is a bottom plan view of FIG. 1.

FIG. 4 is a left side plan view of FIG. 1.

FIG. 5 is a right side plan view of FIG. 1.

FIG. 6 is a front end view of FIG. 1.

FIG. 7 is a back end view of FIG. 1.

FIG. 8 is a front, right, perspective view of FIG. 1 on top of a crucible.

FIG. 9 is an enlarged, right side, partial view of FIG. 1 showing the cover insert in a down position; and,

FIG. 10 is an enlarged, right side, partial view of FIG. 1 showing the cover insert in an up position.

The broken line showing of the two-piece crucible cover for coating with an electron beam source in FIG. 8 illustrates the environment of the claimed design and forms no part thereof.

1 Claim, 4 Drawing Sheets

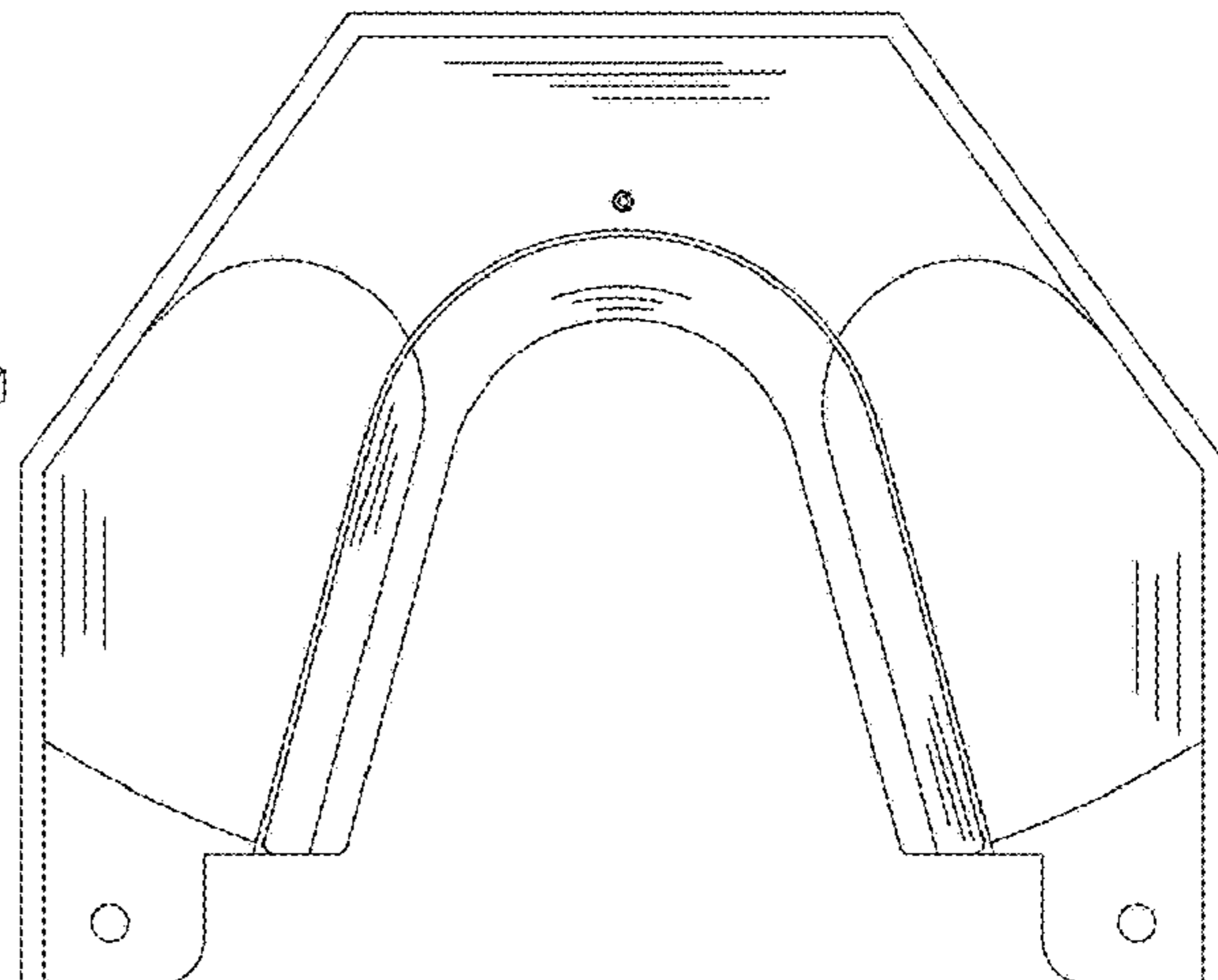
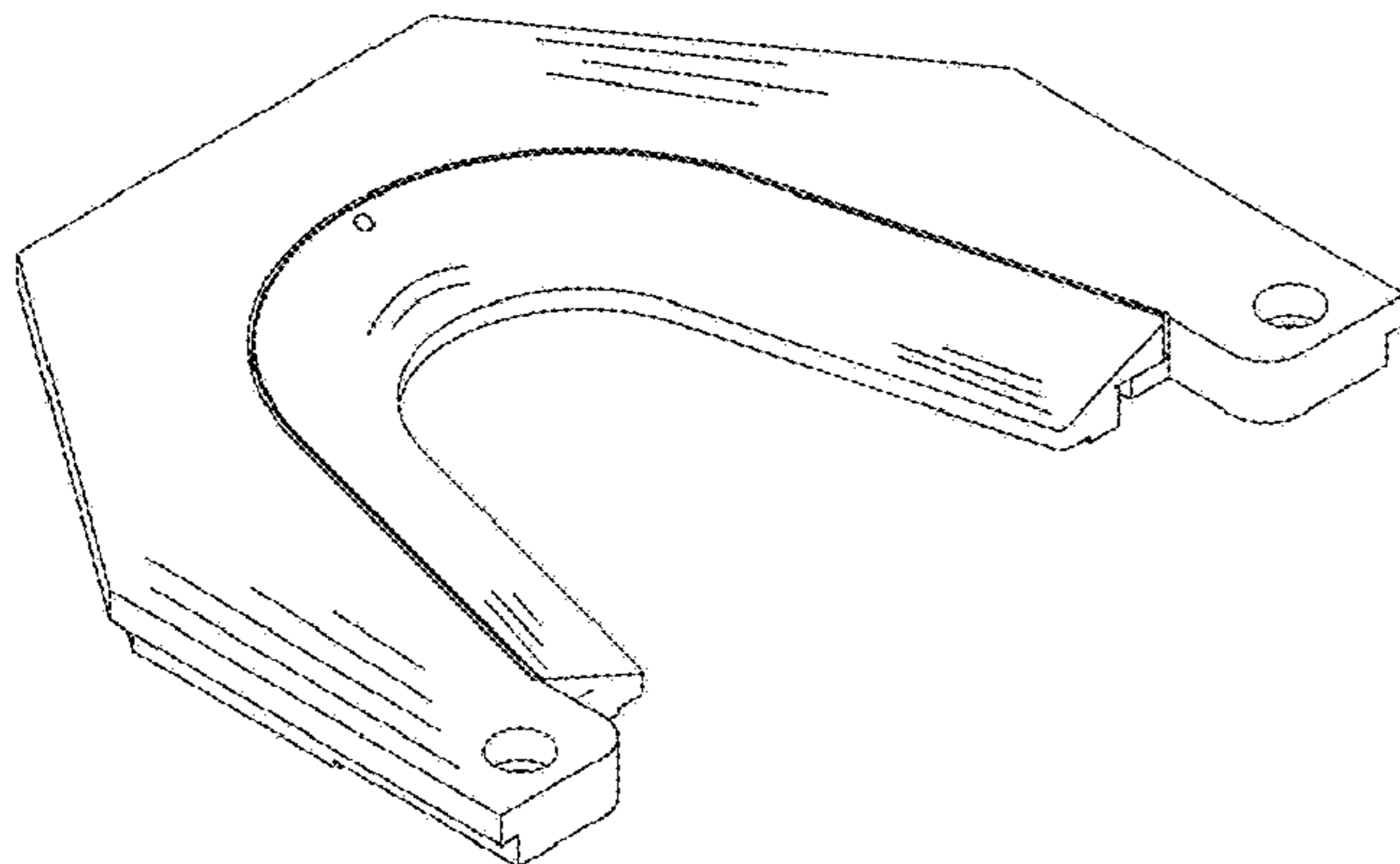


Fig. 1

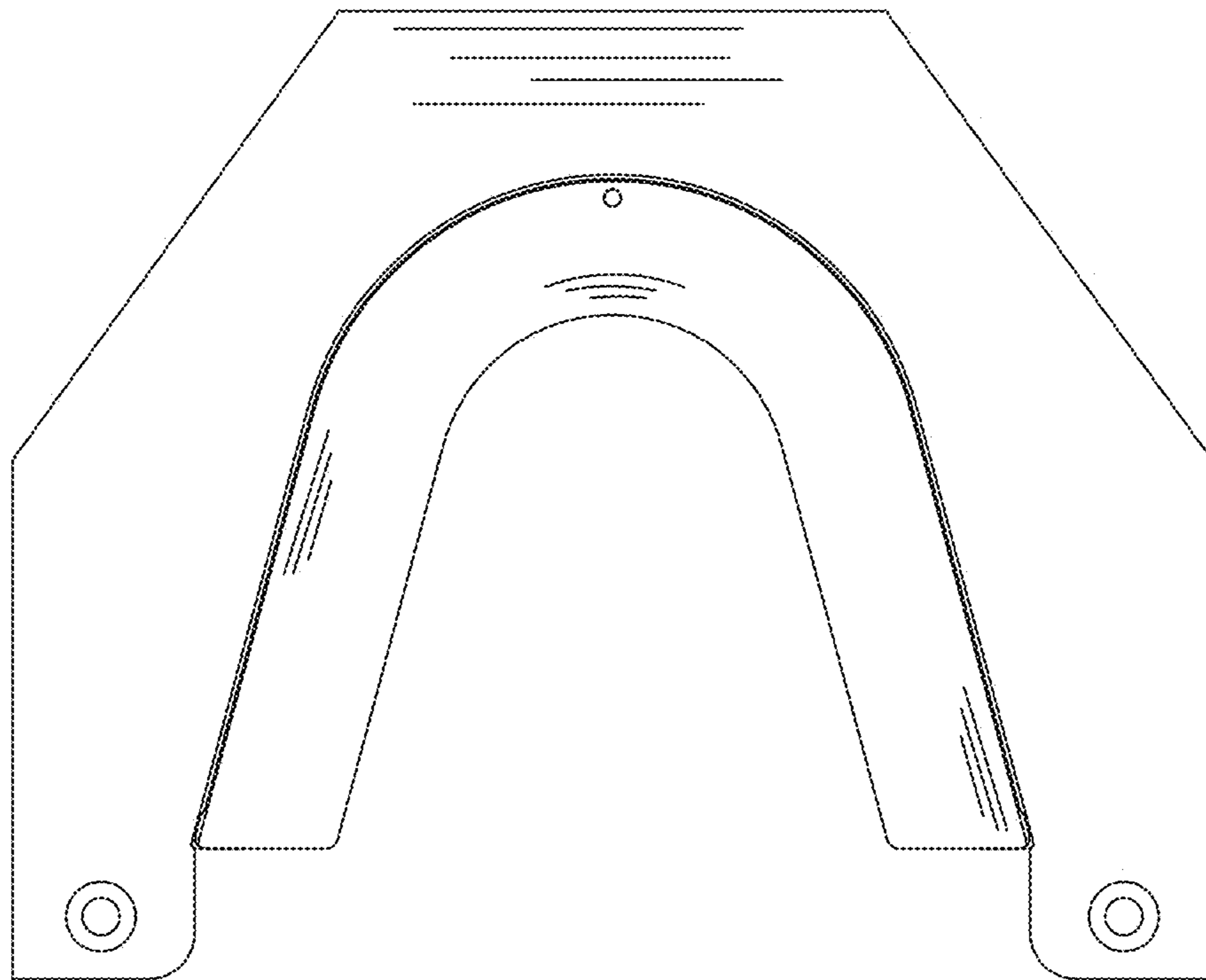
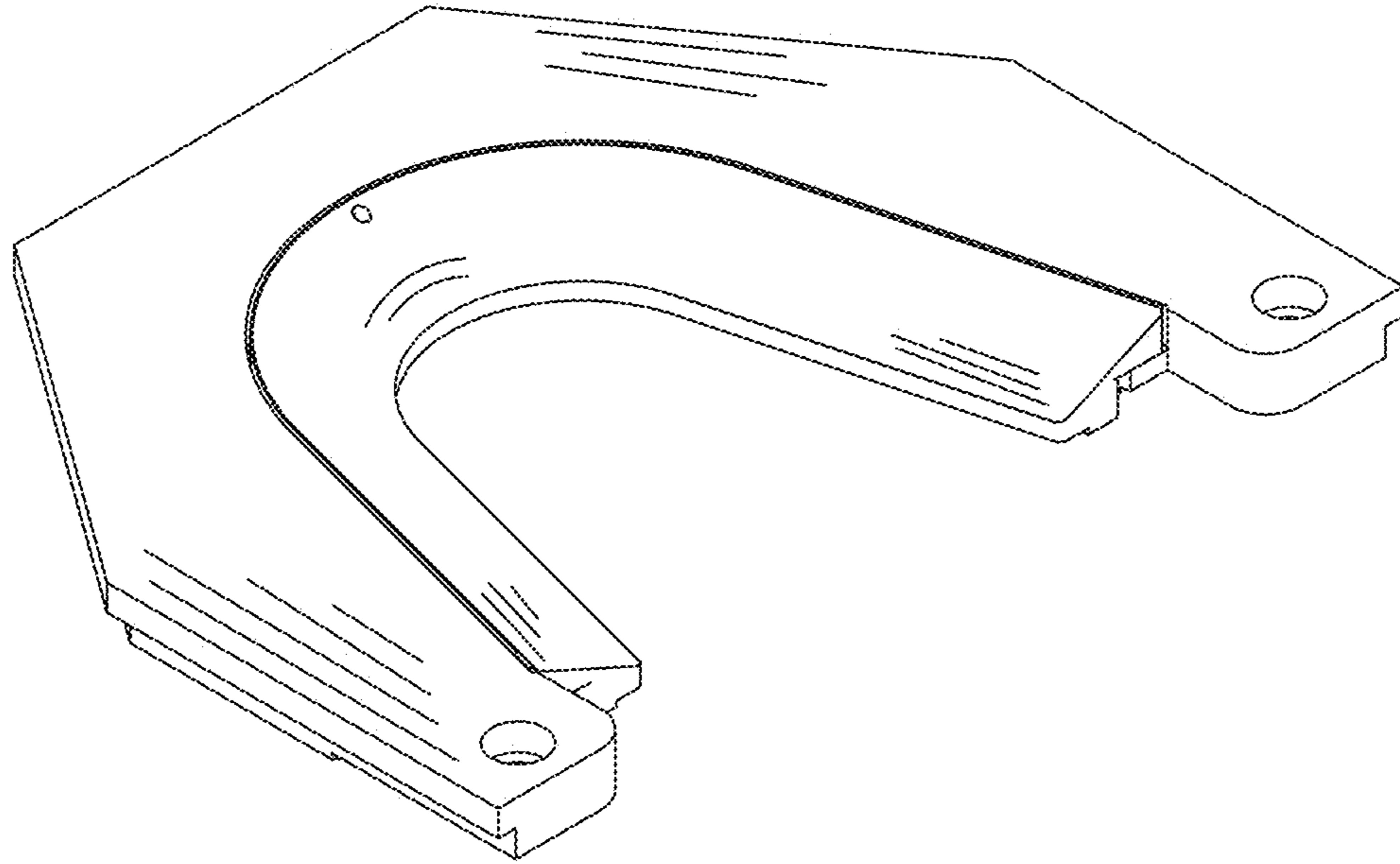


Fig. 2

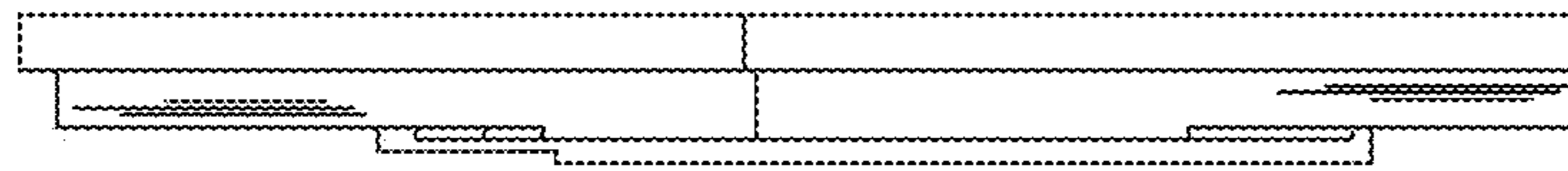
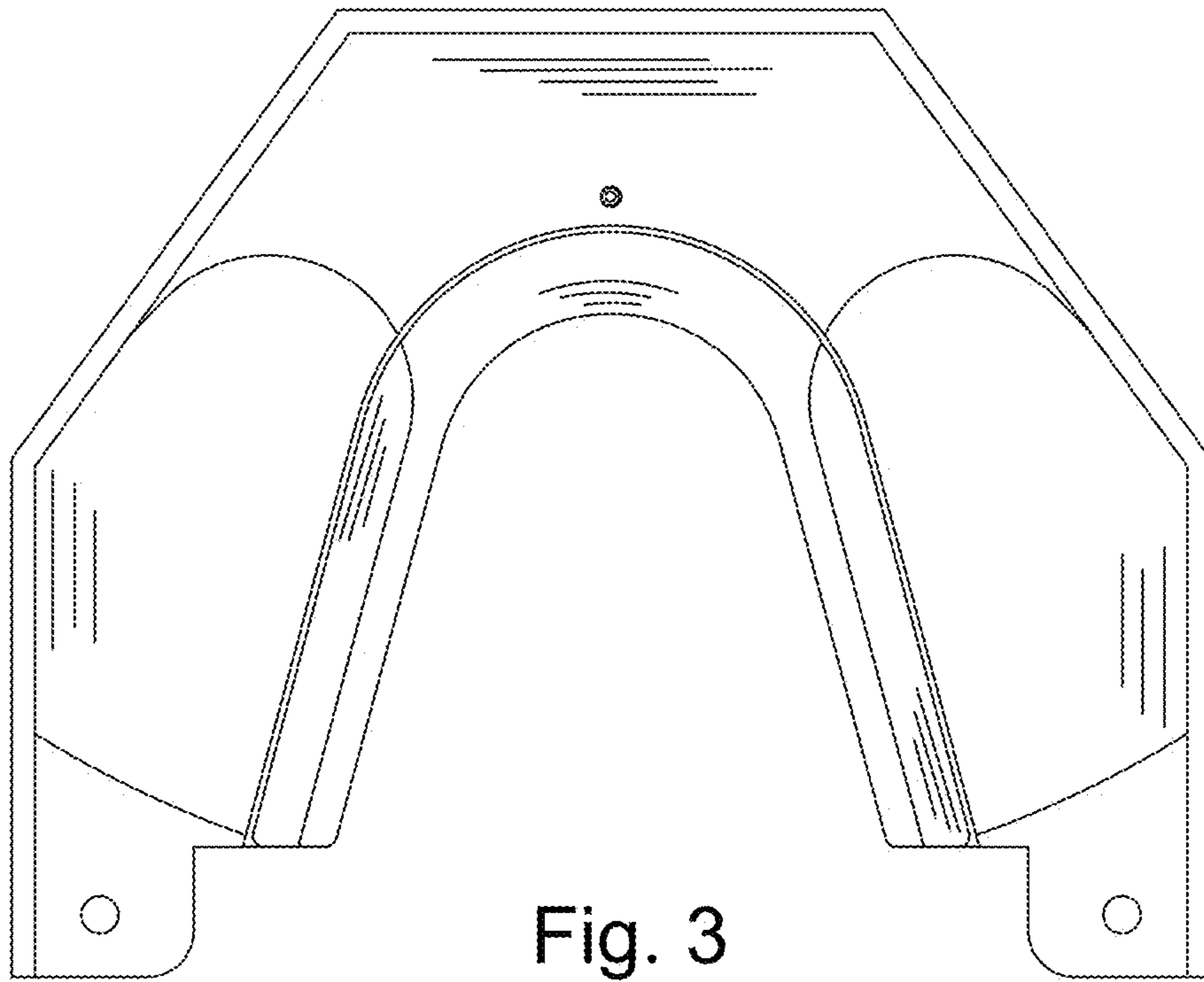


Fig. 4

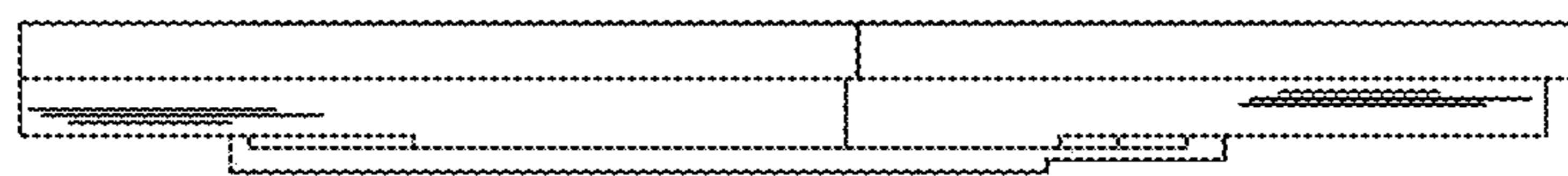


Fig. 5



Fig. 6

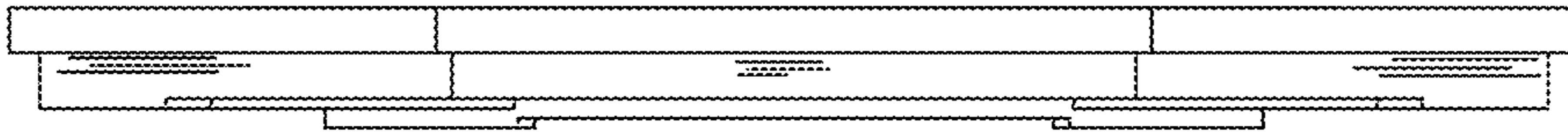


Fig. 7

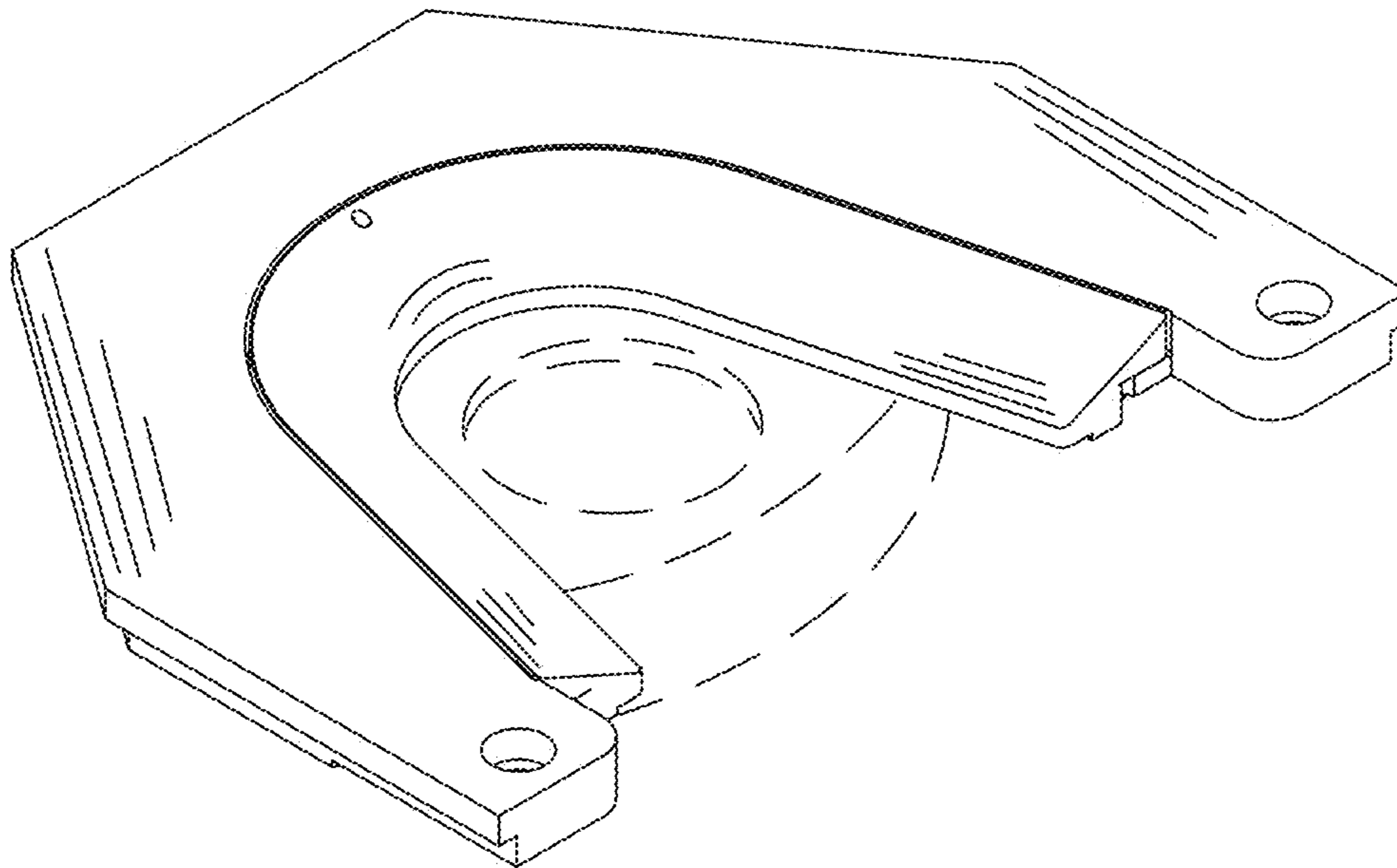


Fig. 8

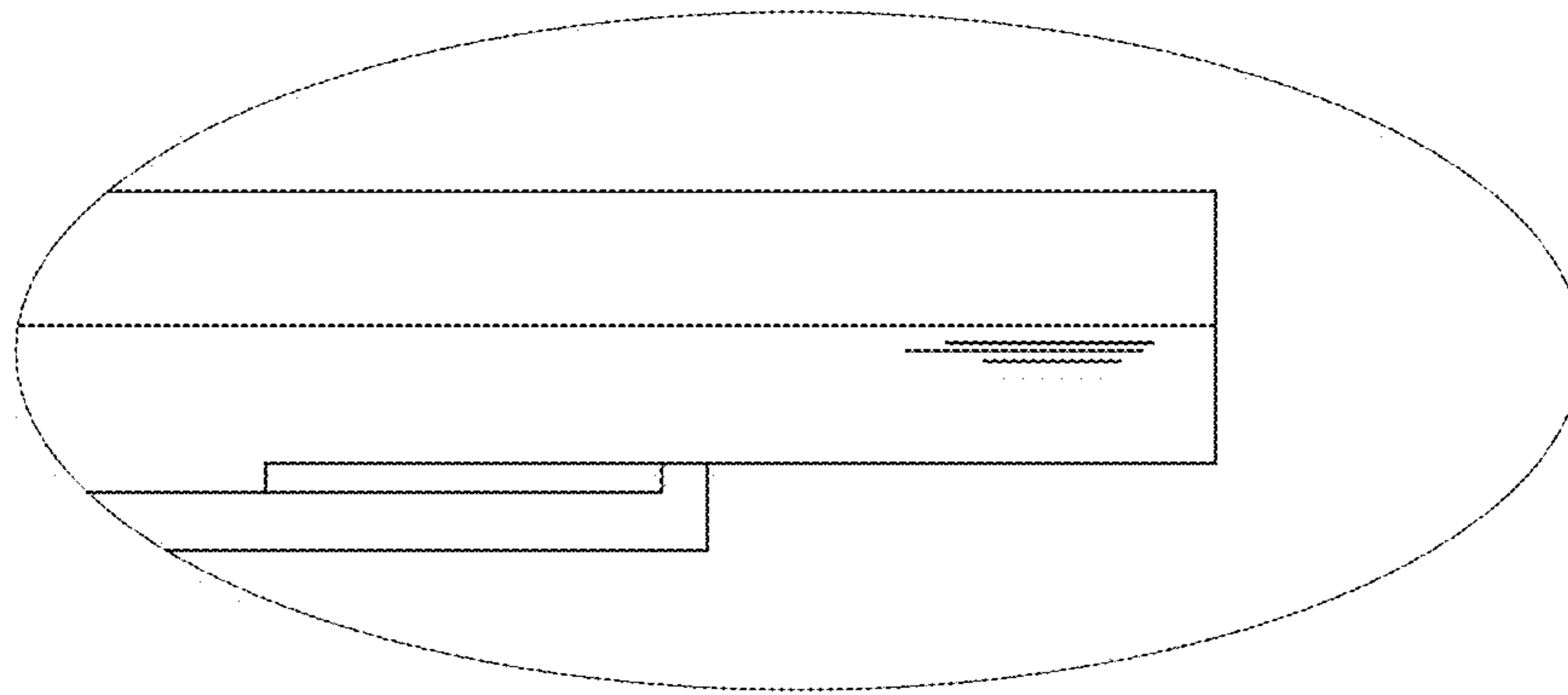


Fig. 9

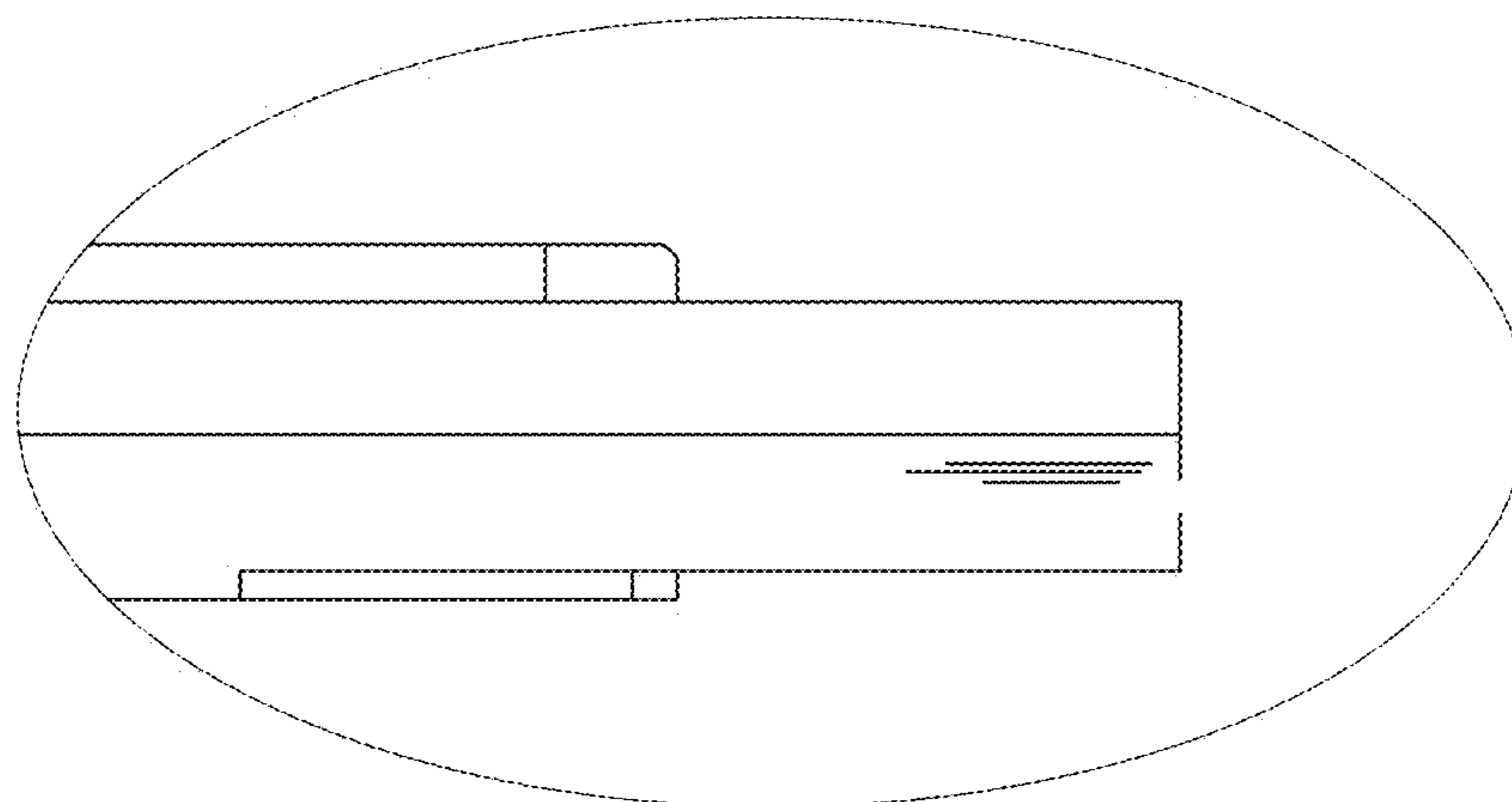


Fig. 10