



US00D939460S

(12) **United States Design Patent**  
**Albers et al.**

(10) **Patent No.:** **US D939,460 S**

(45) **Date of Patent:** **\*\* Dec. 28, 2021**

(54) **MOTOR SENSOR MODULE**

(71) Applicant: **Nidec Motor Corporation**, St. Louis, MO (US)

(72) Inventors: **Timothy R. Albers**, St. Charles, MO (US); **Thomas Schardt**, Edwardsville, IL (US); **Pranesh Rao**, Chesterfield, MO (US); **Parijat Shrivastava**, Miyapur (IN)

(73) Assignee: **Nidec Motor Corporation**, St. Louis, MO (US)

(\*\*) Term: **15 Years**

(21) Appl. No.: **29/649,634**

(22) Filed: **May 31, 2018**

(51) **LOC (13) Cl.** ..... **13-03**

(52) **U.S. Cl.**  
USPC ..... **D13/184**

(58) **Field of Classification Search**  
USPC ..... D13/184, 112, 113, 114, 122, 199;  
D15/3, 5, 199

(Continued)

(56) **References Cited**

U.S. PATENT DOCUMENTS

D173,547 S \* 11/1954 Sundberg ..... D13/112  
3,243,619 A \* 3/1966 Baclawski ..... H02K 5/10  
310/88

(Continued)

*Primary Examiner* — Keli L Hill

*Assistant Examiner* — Harold E Blackwell, II

(74) *Attorney, Agent, or Firm* — Hovey Williams LLP

(57) **CLAIM**

The ornamental design for a motor sensor module, as shown and described.

**DESCRIPTION**

FIG. 1 is a top perspective view of the motor sensor module embodying our design, with the antenna, lid fastener, body

fasteners, bottom, lid grooves, lid hinge, circumferential lid recess, body ribs, side compartment, and base being shown in broken lines for illustrative purposes only and forming no part of the claimed design;

FIG. 2 is a bottom perspective view of the motor sensor module as depicted in FIG. 1;

FIG. 3 is a side elevation view of the motor sensor module as shown in FIGS. 1 and 2;

FIG. 4 is a side elevation view of the motor sensor module taken at a ninety degree (90°) angle relative to that shown in FIG. 3;

FIG. 5 is a side elevation view of the motor sensor module opposite that shown in FIG. 3;

FIG. 6 is a side elevation view of the motor sensor module opposite that shown in FIG. 4;

FIG. 7 is a top elevation view of the motor sensor module as shown in FIGS. 1-6;

FIG. 8 is a bottom elevation view of the motor sensor module as depicted in FIGS. 1-7;

FIG. 9 is a top perspective view of the motor sensor module embodying an alternative embodiment of our design, with the antenna, lid fastener, body fasteners, thermocouple, and bottom, lid grooves, lid hinge, circumferential lid recess, body ribs, side compartment, and base being shown in broken lines for illustrative purposes only and forming no part of the claimed design;

FIG. 10 is a bottom perspective view of the motor sensor module as depicted in FIG. 9;

FIG. 11 is a side elevation view of the motor sensor module as shown in FIGS. 9 and 10;

FIG. 12 is a side elevation view of the motor sensor module taken at a ninety degree (90°) angle relative to that shown in FIG. 11;

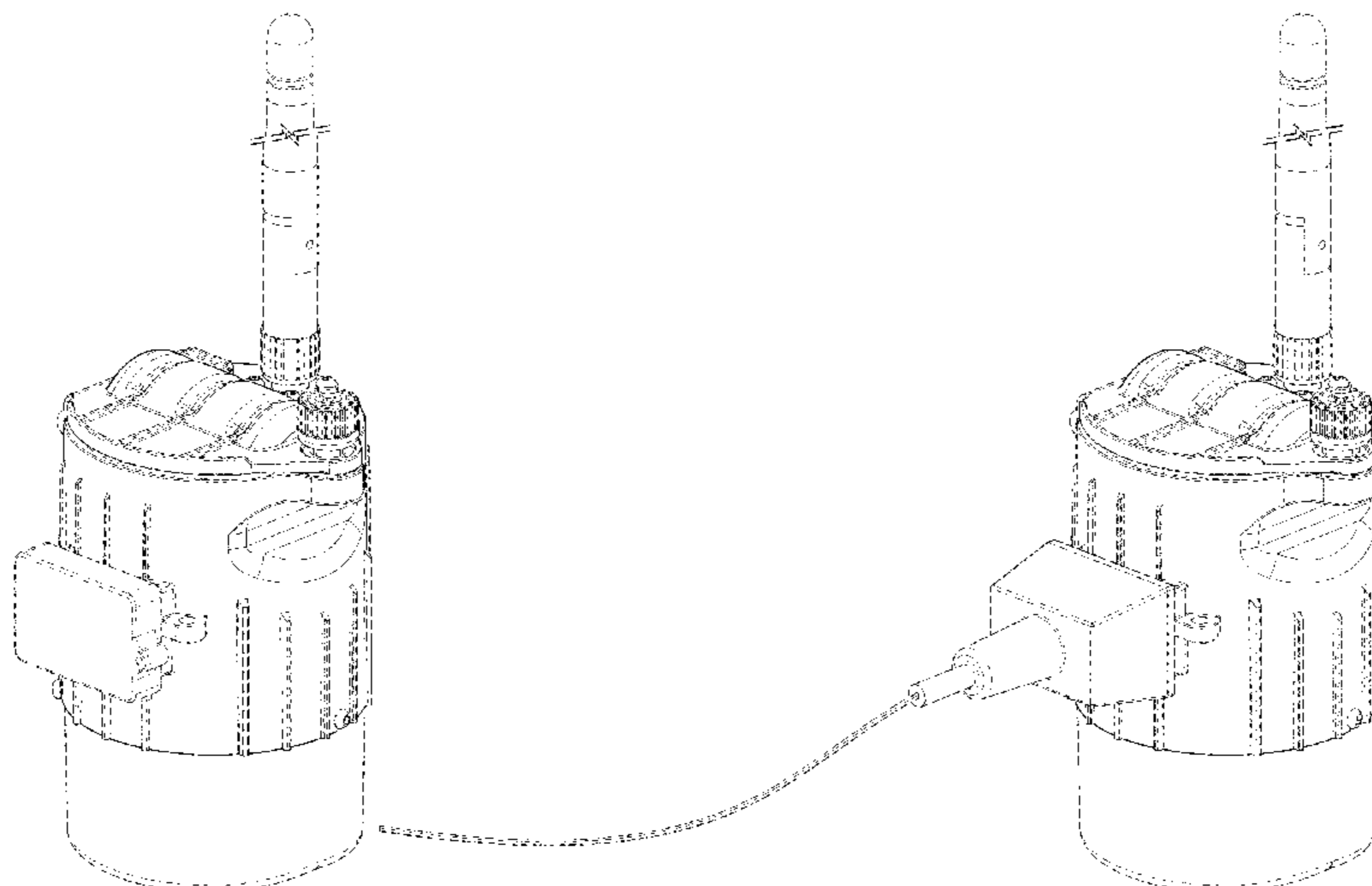
FIG. 13 is a side elevation view of the motor sensor module opposite that shown in FIG. 11;

FIG. 14 is a side elevation view of the motor sensor module opposite that shown in FIG. 12;

FIG. 15 is a top elevation view of the motor sensor module as shown in FIGS. 9-14; and,

FIG. 16 is a bottom elevation view of the motor sensor module as depicted in FIGS. 9-15.

(Continued)



The broken lines in the drawings illustrate portions of the motor sensor module which form no part of the claimed design.

**1 Claim, 9 Drawing Sheets**

**(58) Field of Classification Search**

CPC . H02K 5/225; H01R 13/2492; H01R 13/7172  
See application file for complete search history.

**(56) References Cited**

U.S. PATENT DOCUMENTS

D207,401	S *	4/1967	Andrews et al. ....	D13/114
D210,213	S *	2/1968	Tomkinson .....	D13/122
D217,674	S *	5/1970	Jaeschke .....	D13/122
D236,985	S *	9/1975	Baumann .....	D13/114
D237,387	S *	10/1975	Monroe .....	D13/122
D245,499	S *	8/1977	Andreas .....	D13/112
D275,478	S *	9/1984	Griggs .....	D13/122
D314,742	S *	2/1991	Sieber .....	D13/112
D332,081	S *	12/1992	Sieber .....	D13/112
D615,071	S *	5/2010	Hume .....	D14/230
9,419,552	B2 *	8/2016	Schock .....	H02P 6/14
9,899,949	B2 *	2/2018	Shahi .....	H02P 27/06
10,075,042	B2 *	9/2018	Geiler .....	H02K 5/225
D840,585	S *	2/2019	Treible, Jr. ....	D26/138
D862,789	S *	10/2019	Treible, Jr. ....	D26/138
10,707,719	B2 *	7/2020	Modi .....	H01G 11/56
10,715,010	B2 *	7/2020	Palmer .....	H02K 9/18
D909,973	S *	2/2021	Stockton .....	D13/122
2019/0320244	A1 *	10/2019	Albers .....	G01N 29/50

\* cited by examiner

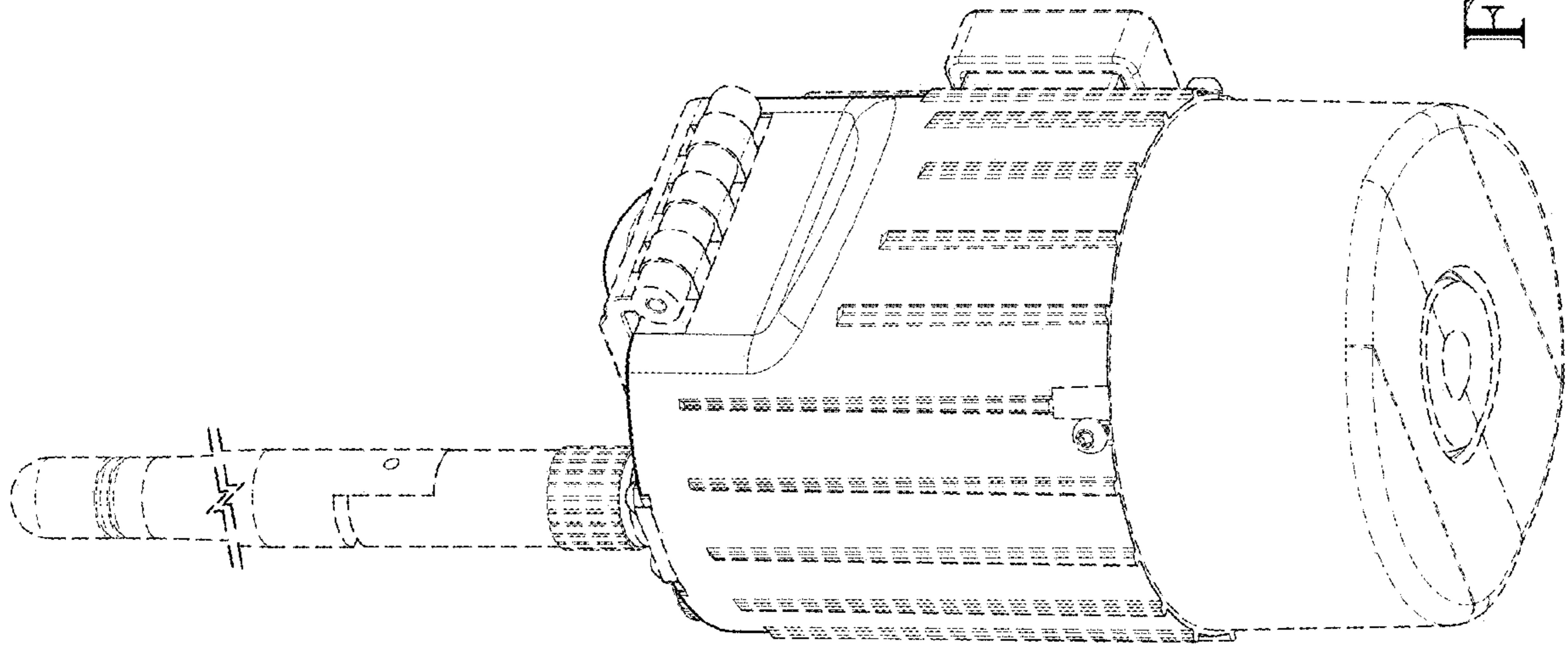


FIG. 1

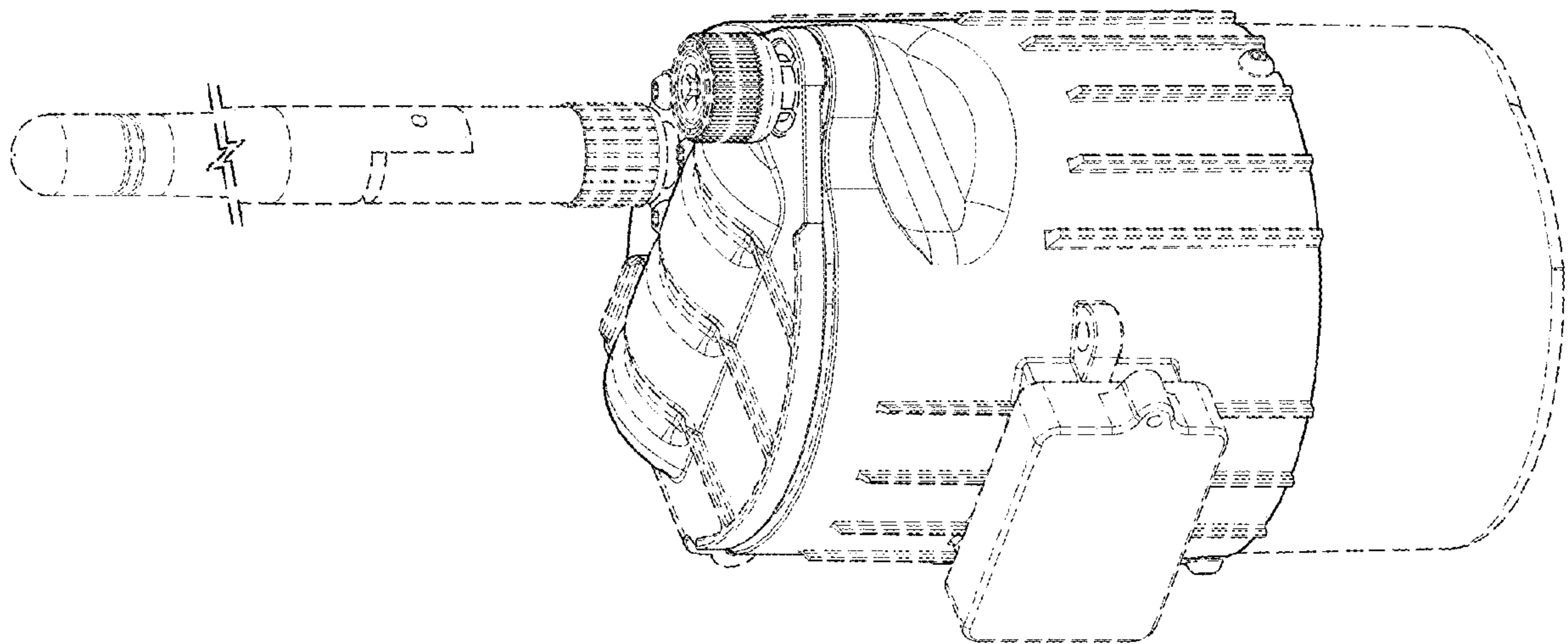


FIG. 2

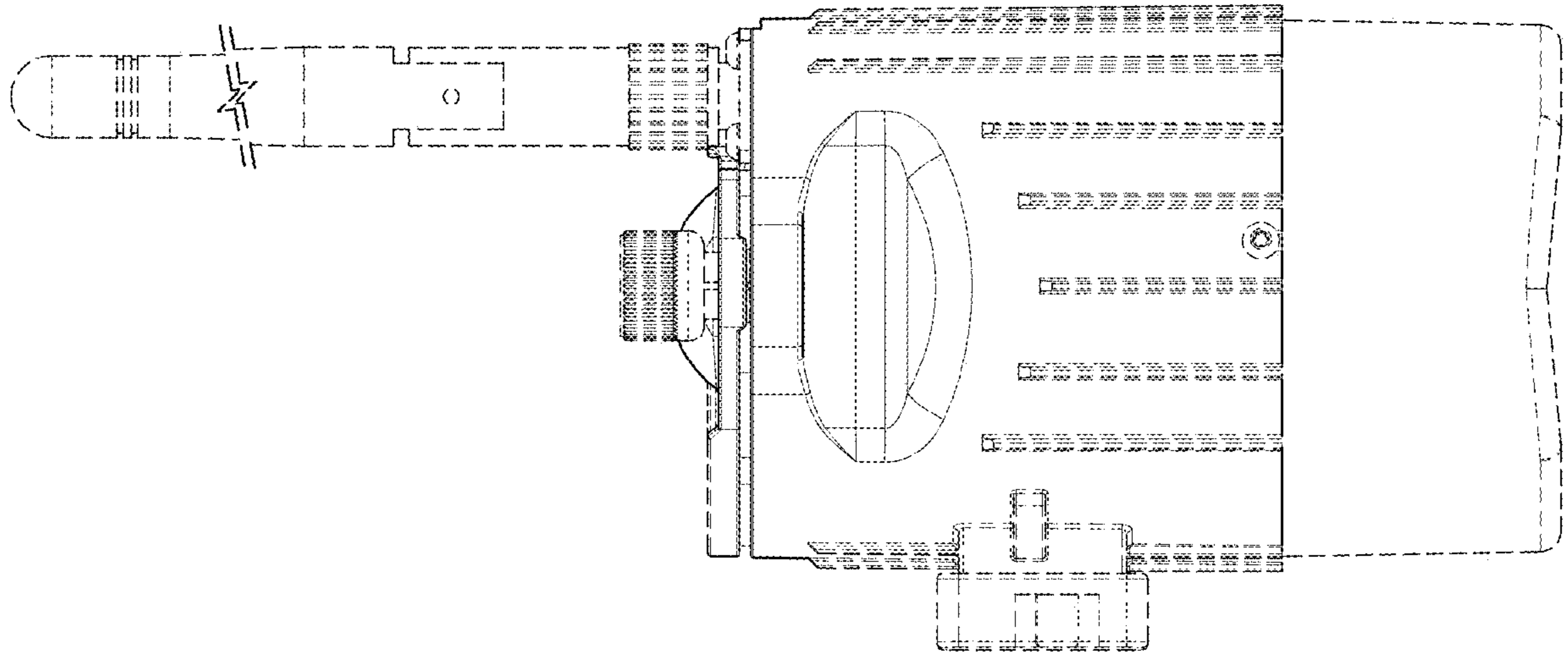


FIG. 3

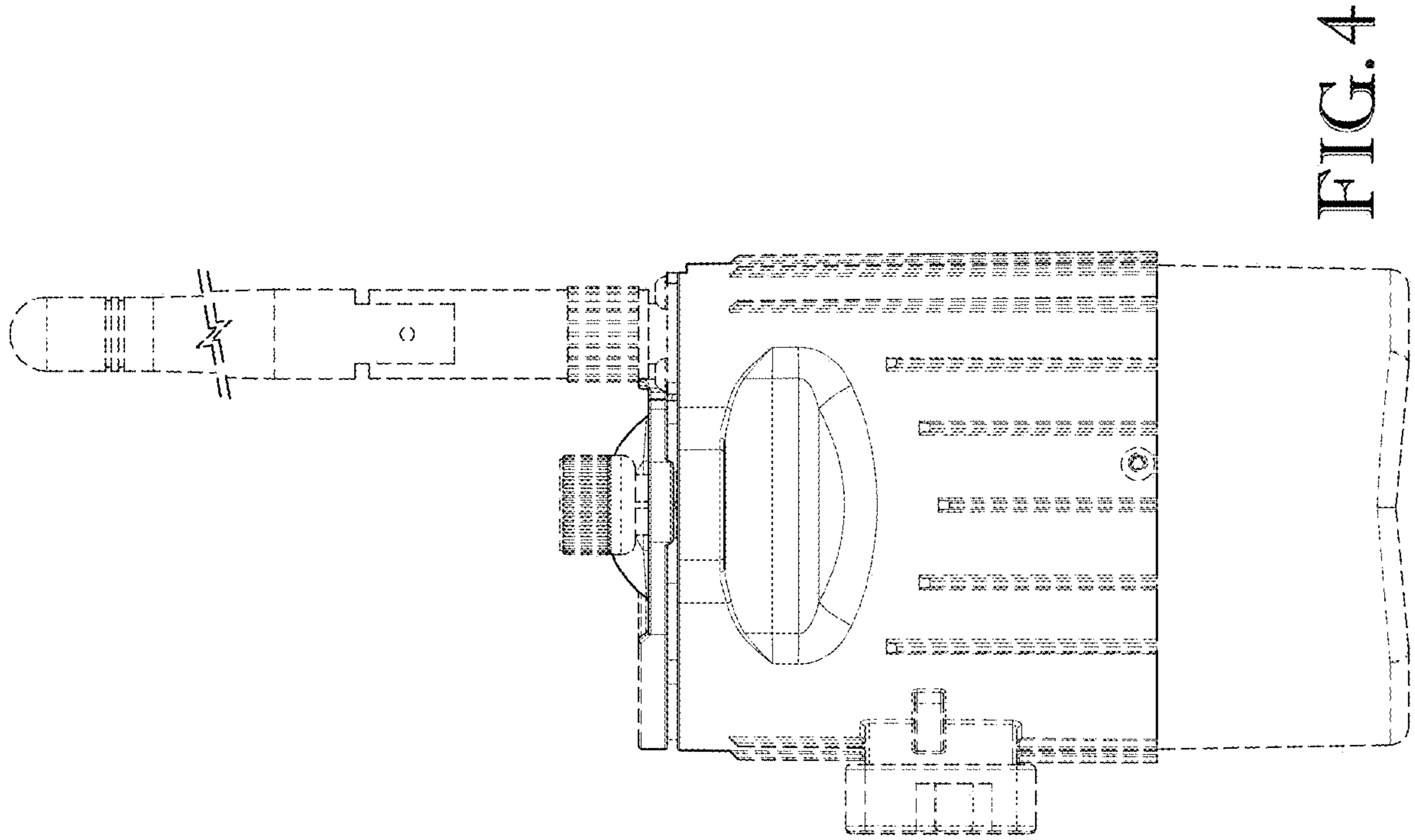


FIG. 4

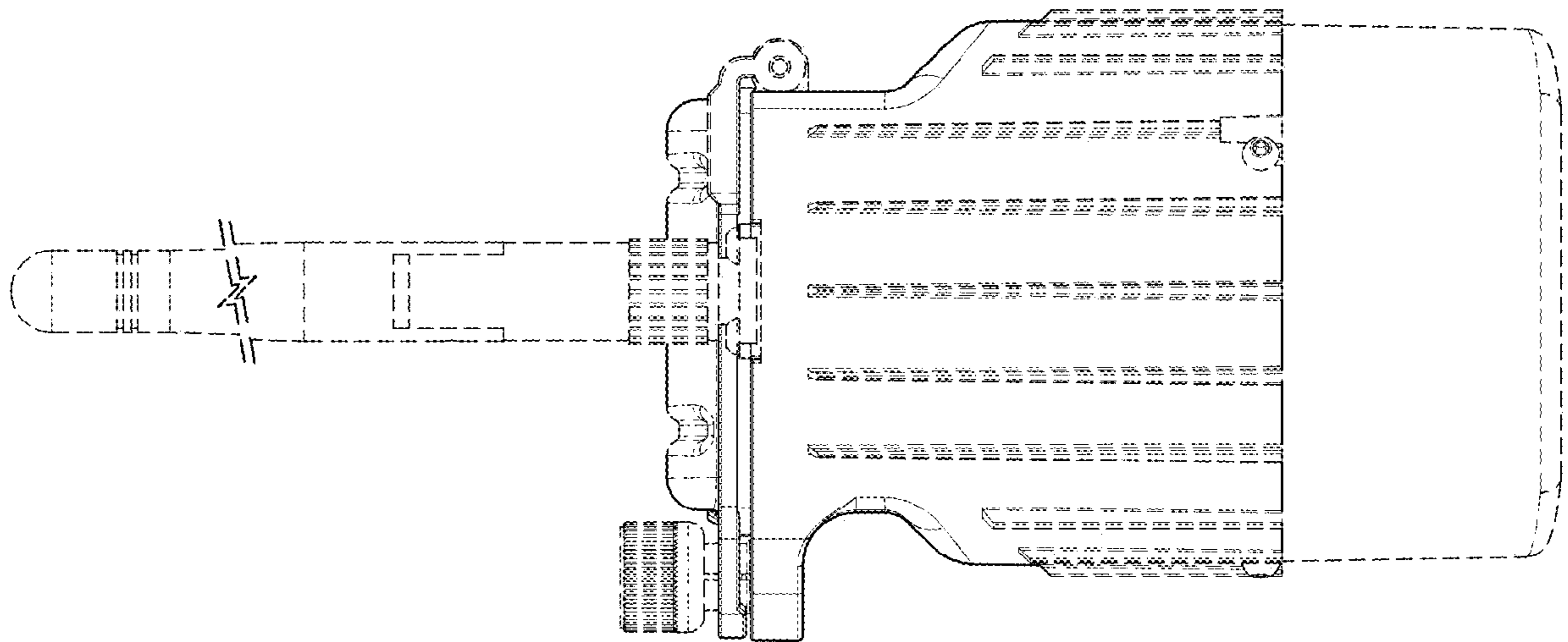


FIG. 5

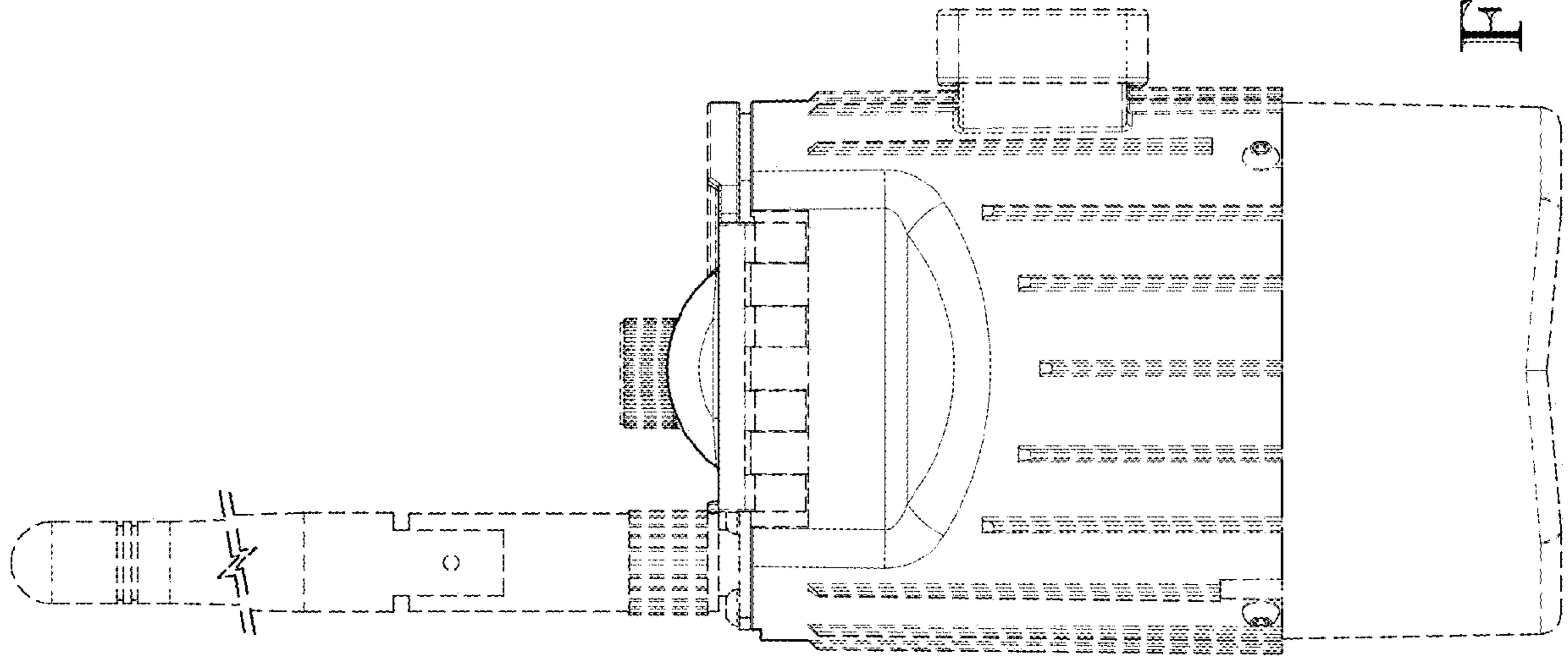


FIG. 6

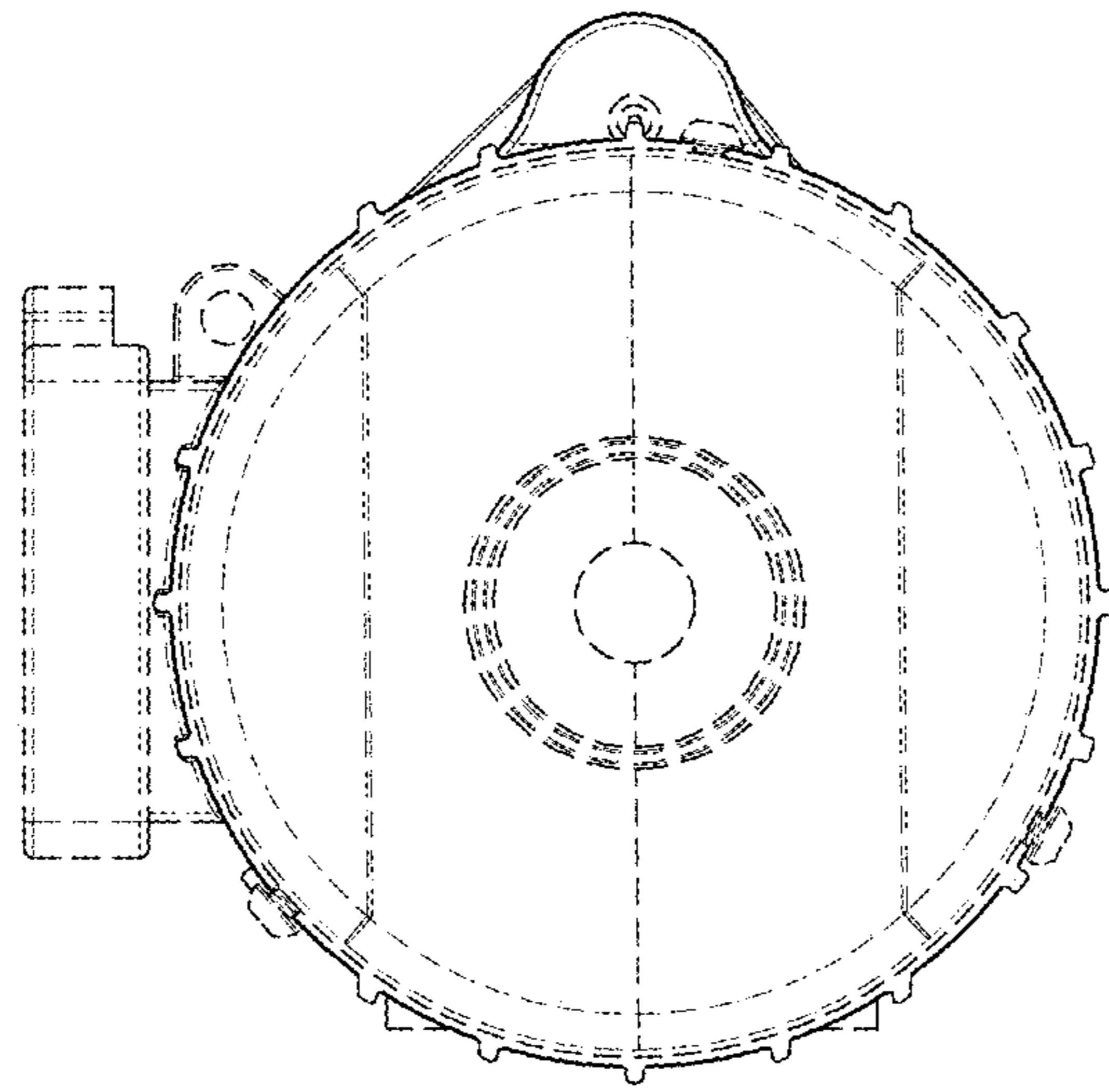


FIG. 8

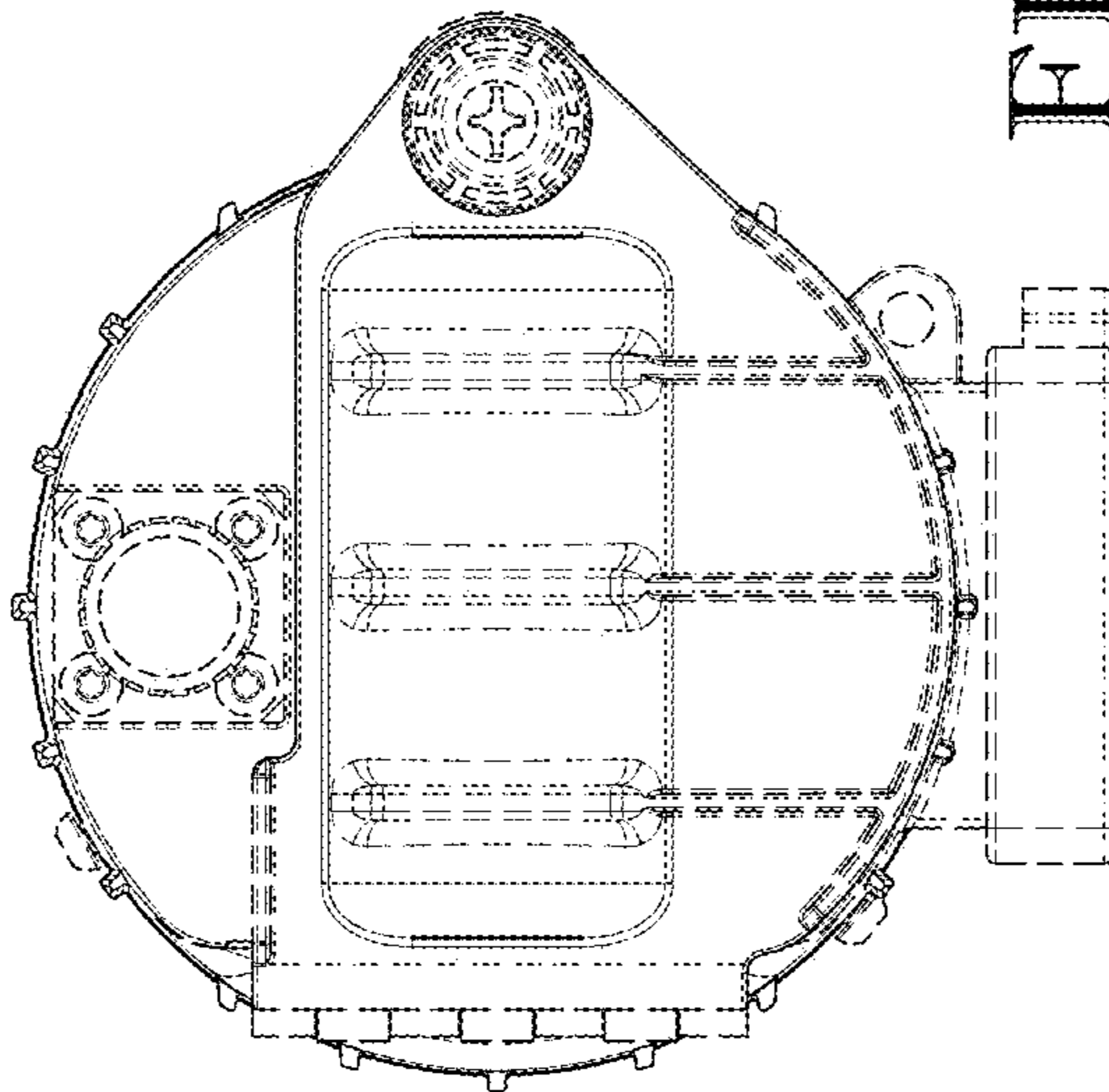


FIG. 7

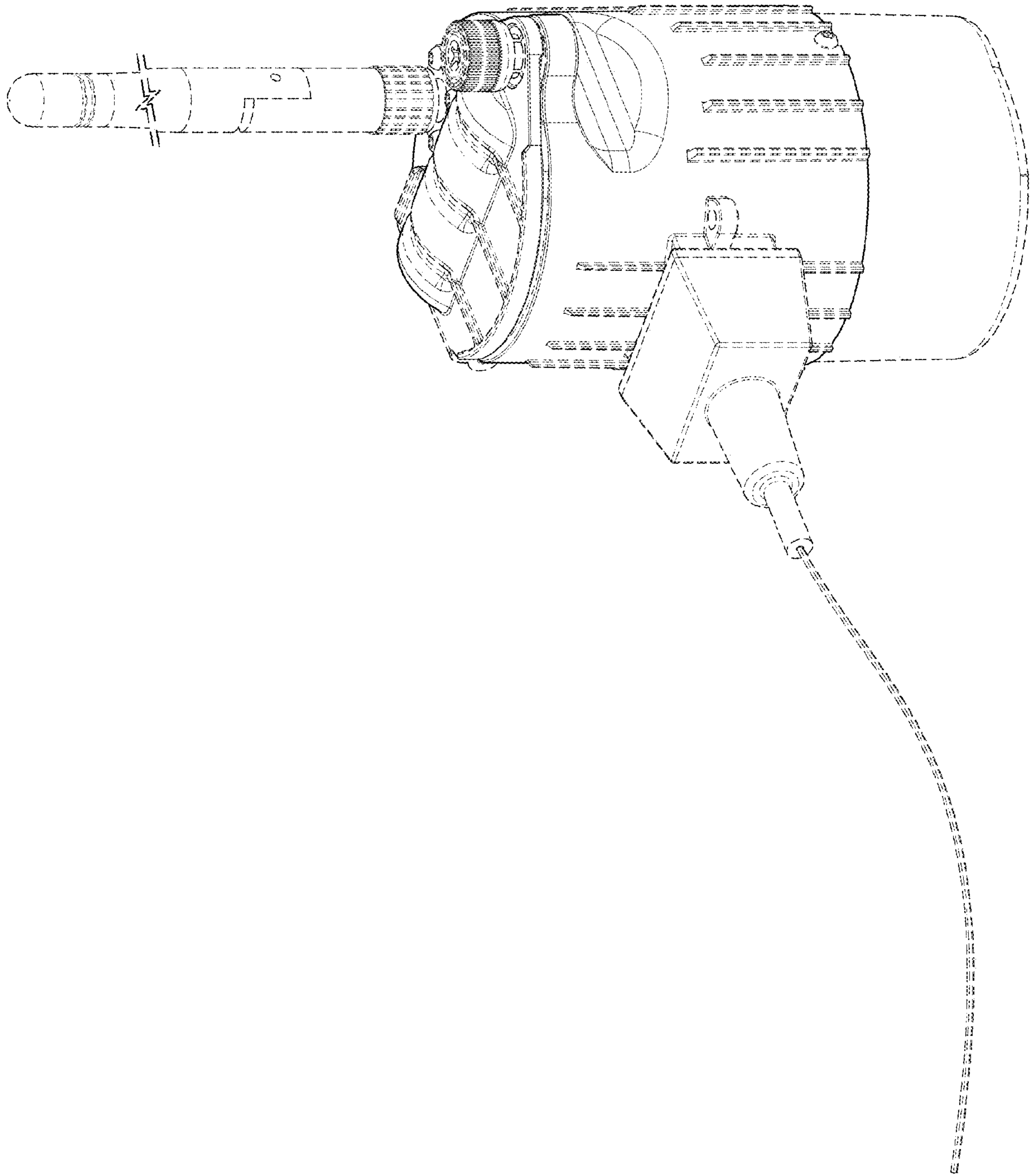
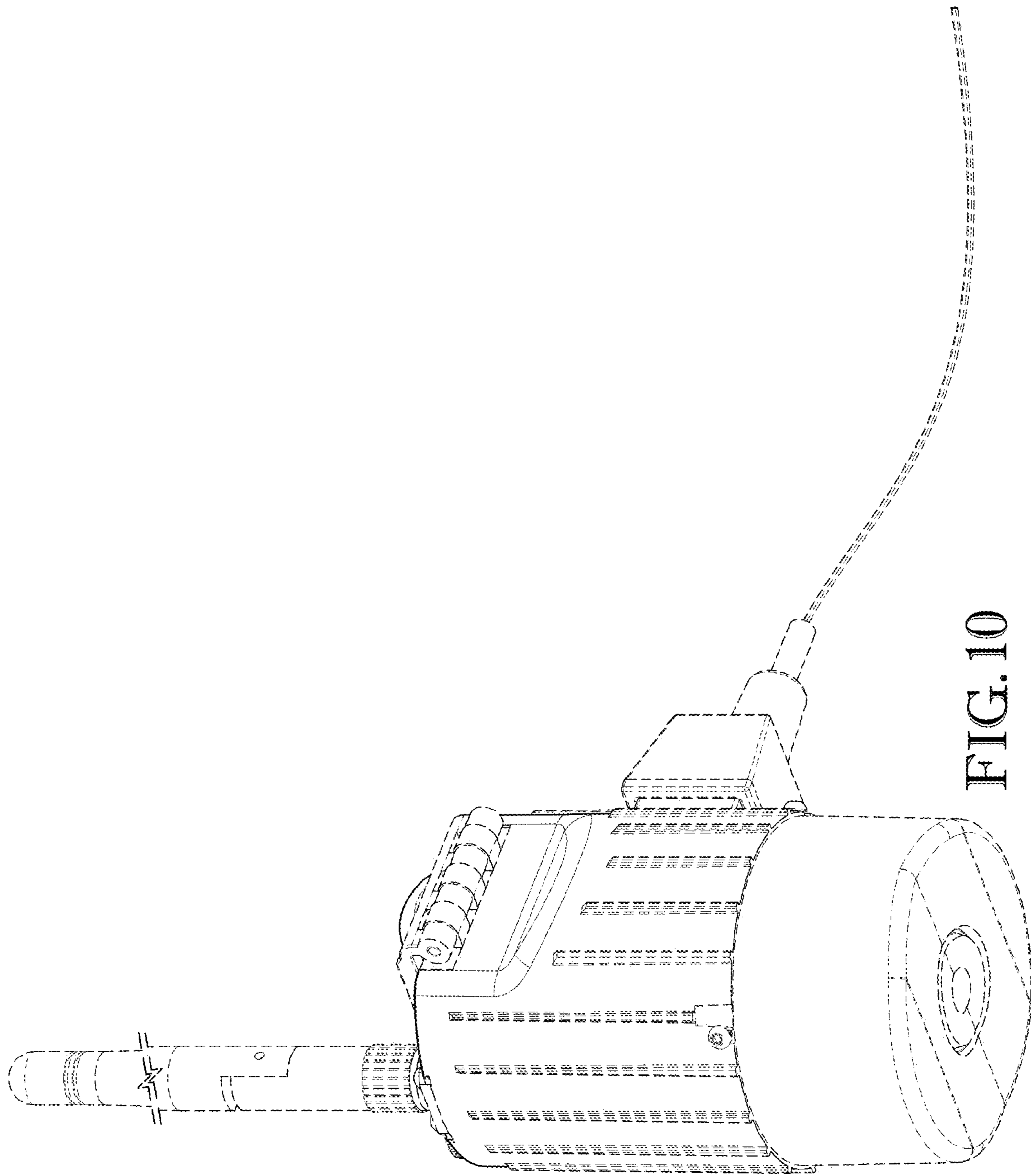
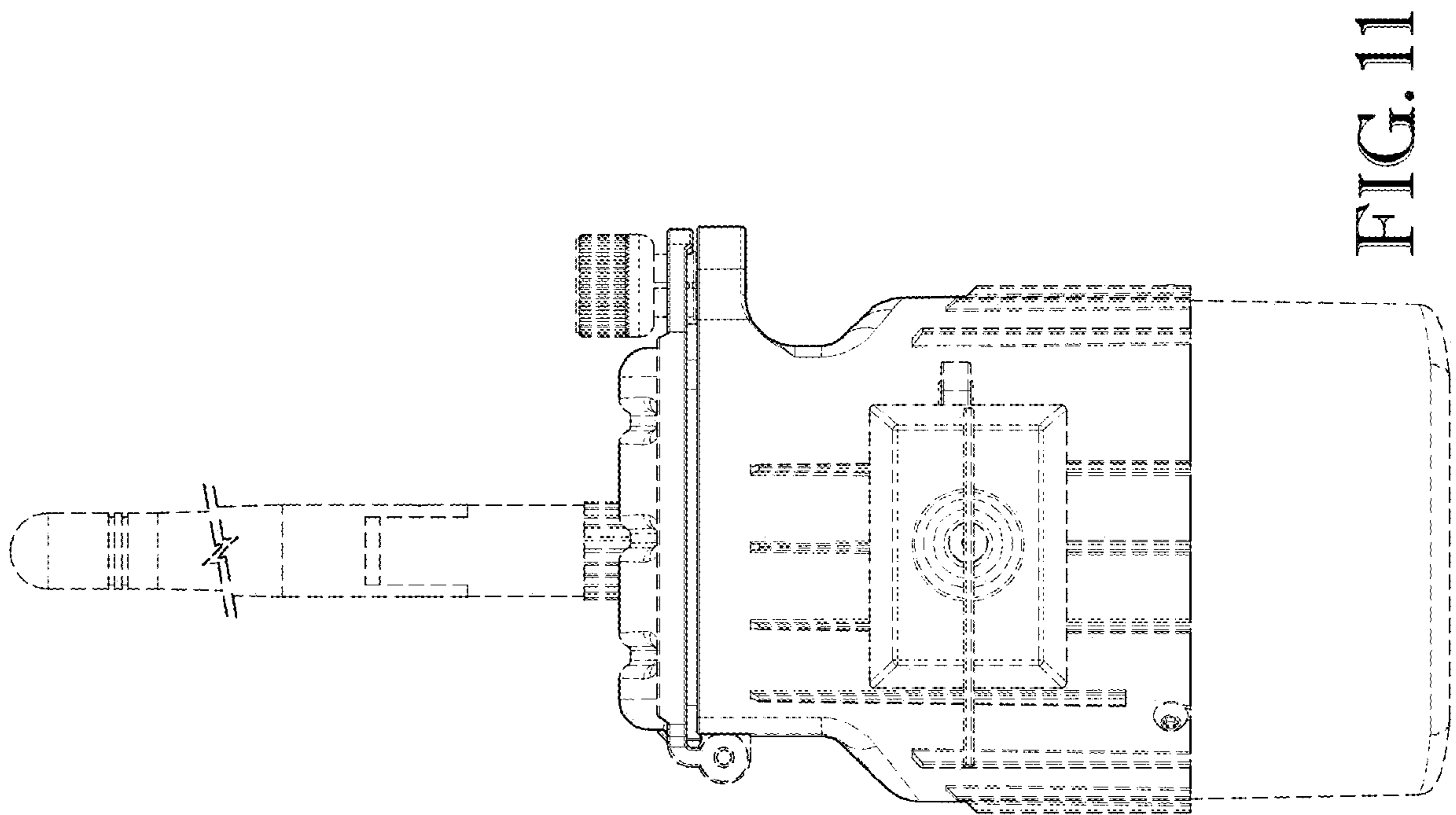
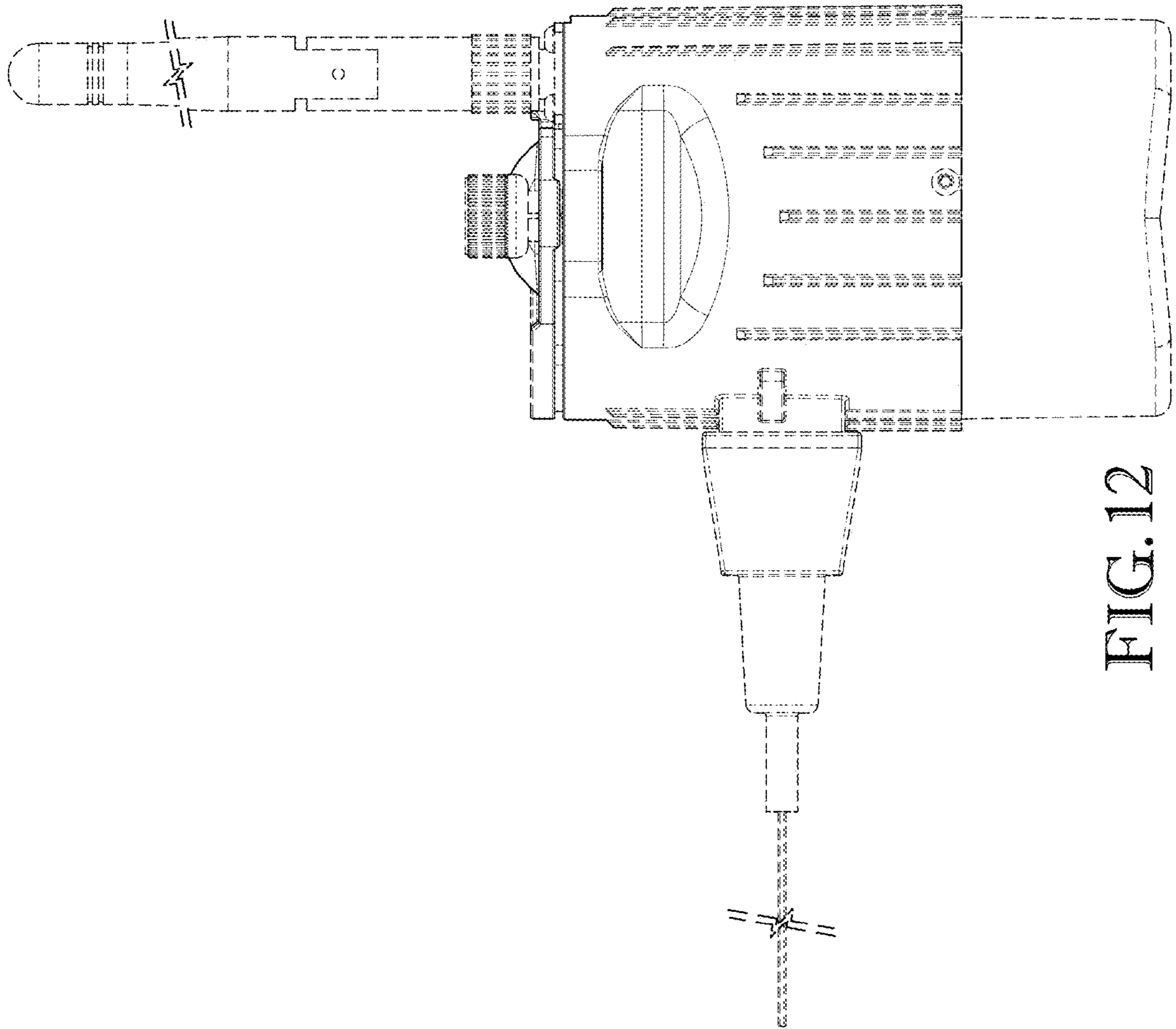
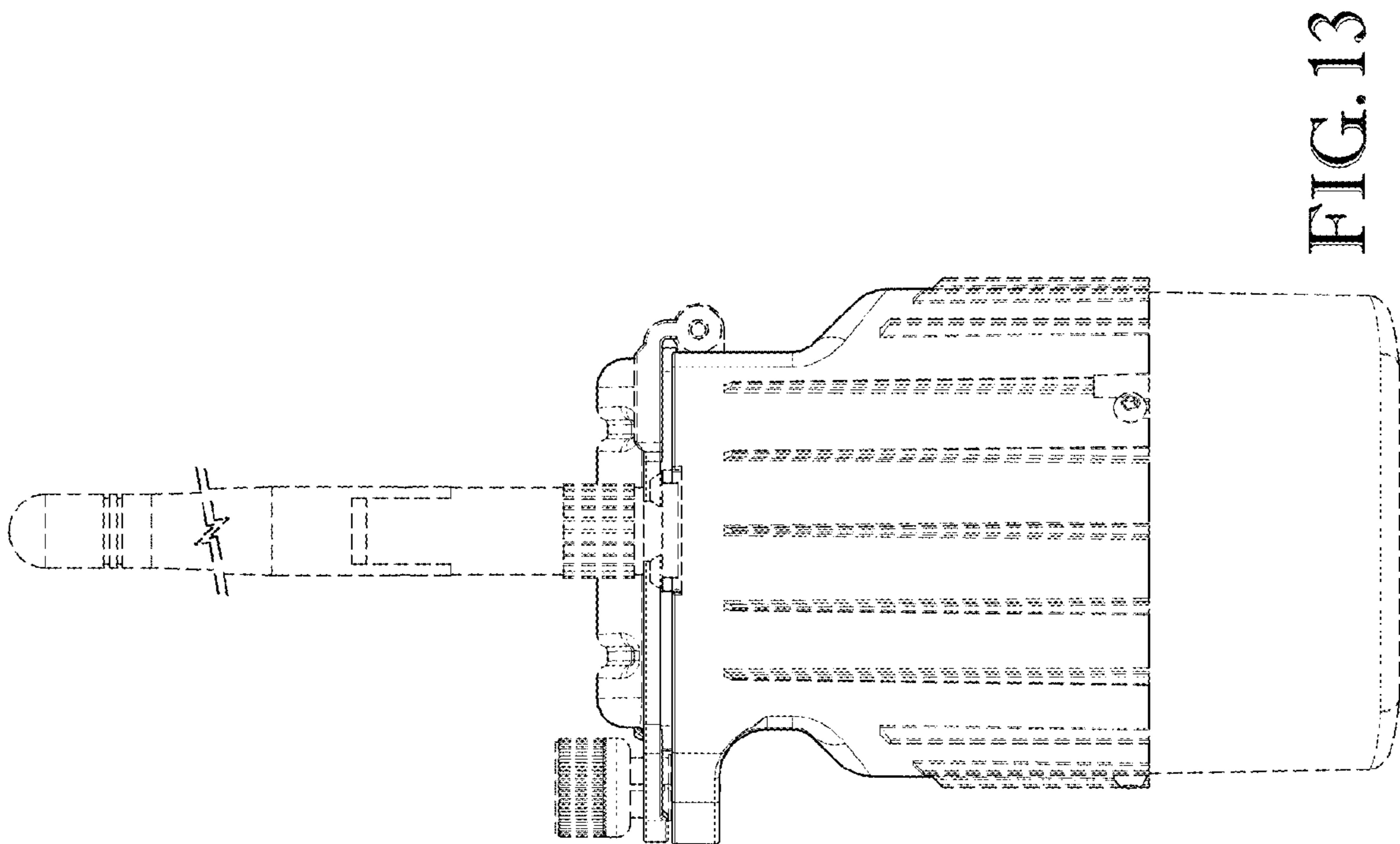
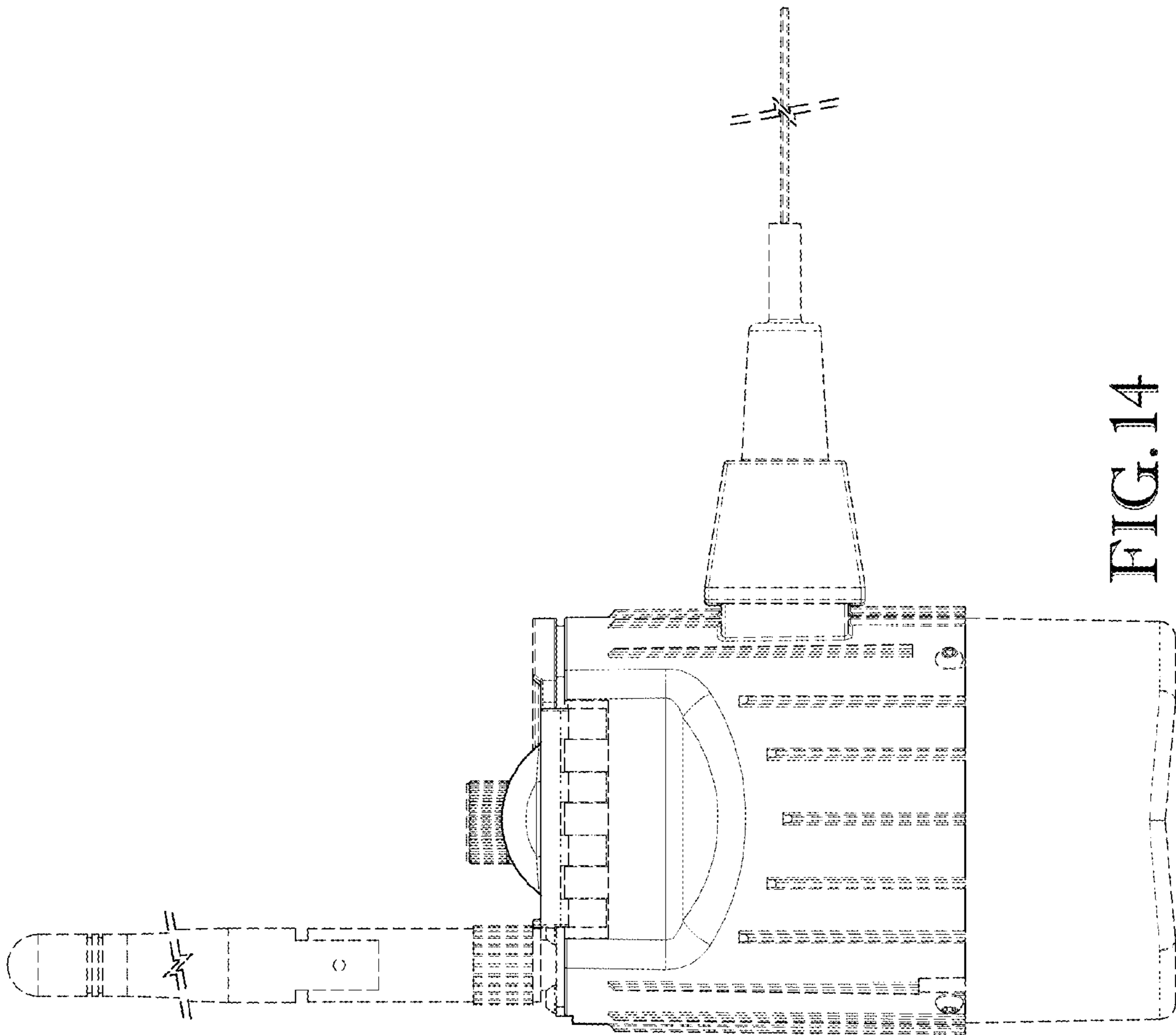


FIG. 9









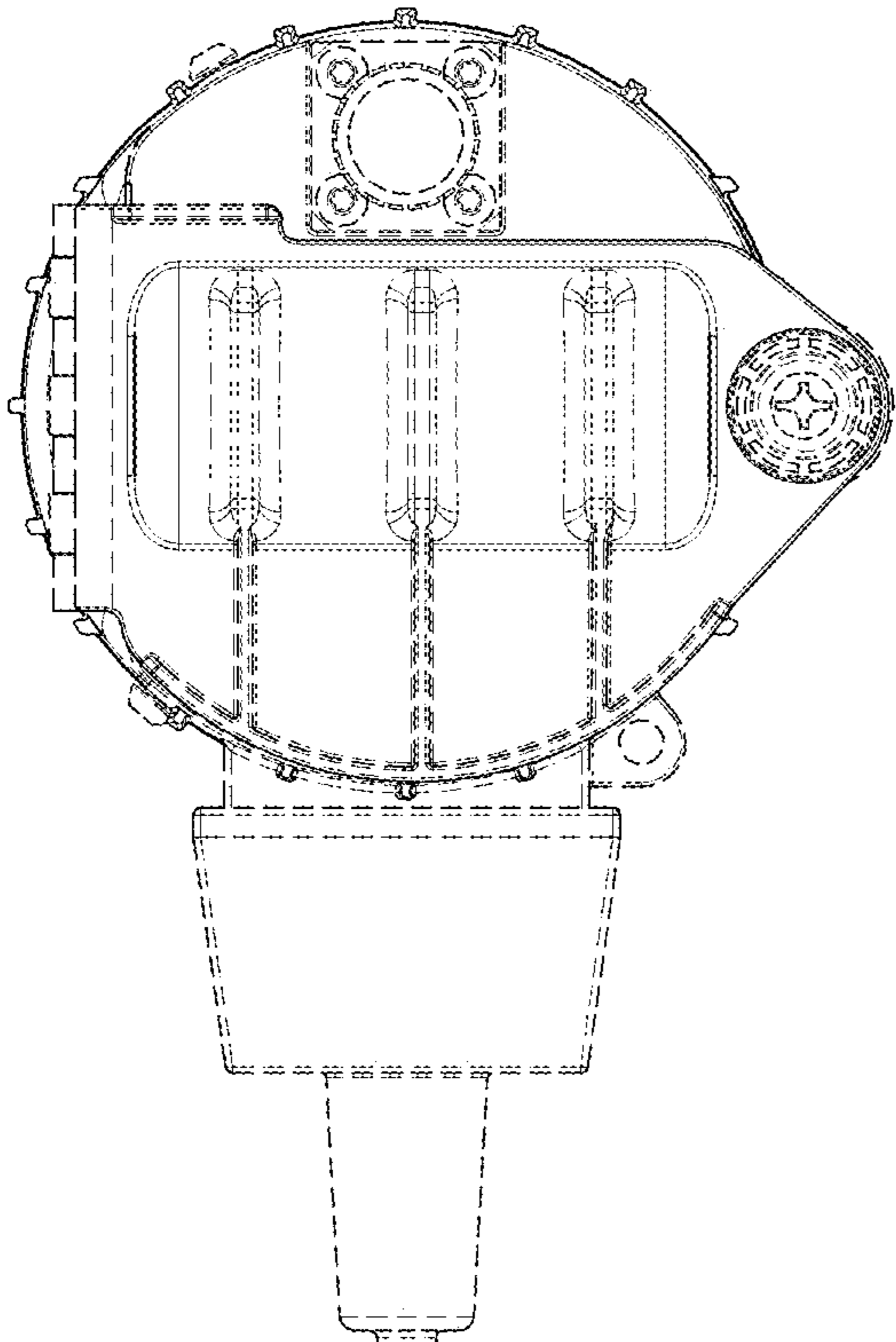


FIG. 15

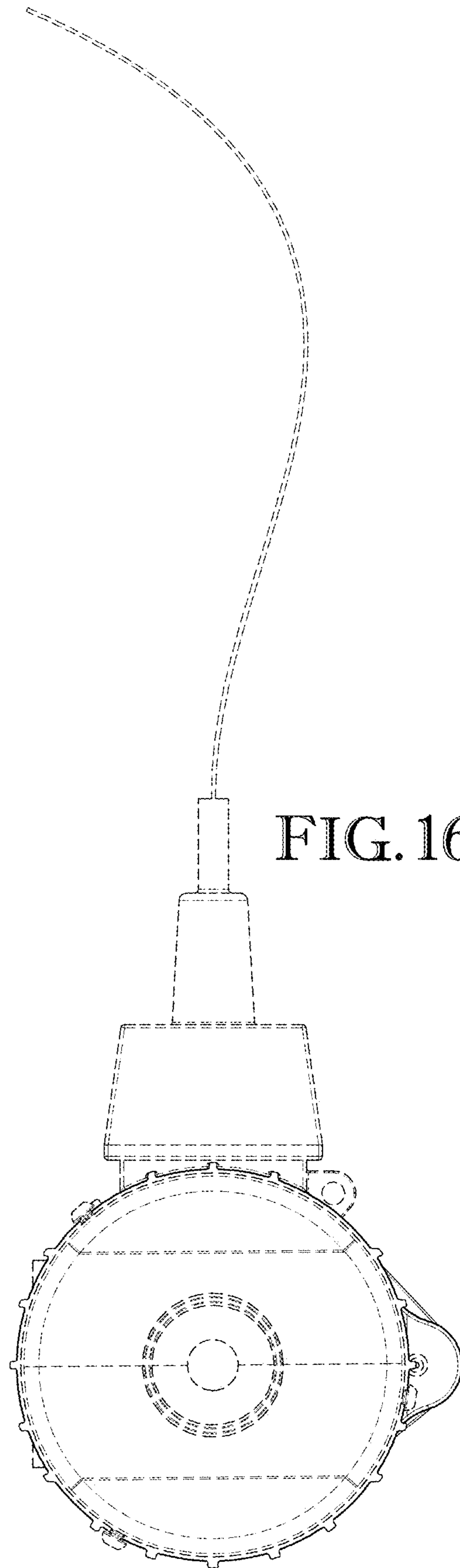


FIG. 16