

US00D939457S

(12) **United States Design Patent**
Weinerman et al.

(10) **Patent No.:** **US D939,457 S**
(45) **Date of Patent:** **** Dec. 28, 2021**

(54) **ELECTRICAL ENCLOSURE**

(71) Applicant: **The Eastern Company**, Strongsville, OH (US)
(72) Inventors: **Lee S. Weinerman**, Medina, OH (US);
Keith Braun, Strongsville, OH (US);
James Paxitzis, Strongsville, OH (US)
(73) Assignee: **The Eastern Company**, Cleveland, OH (US)

(**) Term: **15 Years**

(21) Appl. No.: **29/698,687**

(22) Filed: **Jul. 18, 2019**

(51) **LOC (13) Cl.** **13-03**

(52) **U.S. Cl.**
USPC **D13/174**; D13/162; D13/184

(58) **Field of Classification Search**
USPC D13/133, 146, 147, 123, 184, 199, 118,
D13/120, 154, 155, 173, 158, 162, 162.1,
D13/168, 169, 171, 177, 174; D10/48,
D10/52, 106.1, 106.9, 106.95, 122, 123,
D10/126; D8/330, 334, 337
CPC H01H 13/12; H01H 13/00; H01H 13/04;
H01H 13/58; H01H 13/585; H01H 25/00;
H01H 19/00; H05B 39/085
See application file for complete search history.

(56) **References Cited**

U.S. PATENT DOCUMENTS

D516,579 S * 3/2006 Nakamura D14/160
D549,181 S * 8/2007 Riley D13/162
D558,692 S * 1/2008 Neveu D13/174
D575,180 S * 8/2008 James D10/102

D583,218 S * 12/2008 Nave D8/334
D605,494 S * 12/2009 Plato D8/334
D627,725 S * 11/2010 Gebert D13/118
D689,828 S * 9/2013 Pierson D13/174
D781,252 S * 3/2017 Oleson D13/174
D813,826 S * 3/2018 Dalton D13/168

OTHER PUBLICATIONS

Electrical enclosure control. (Design—© Questel) orbit.com. [Online PDF compilation of references] 6 pgs. Print Date Jul. 31, 1995 [Retrieved Feb. 4, 2021] <https://www.orbit.com/export/UCZAH96B/pdf4/5f0f2f43-2fc5-4bbe-9c05-37feeafea999-192927.pdf> (Year: 2021).*

* cited by examiner

Primary Examiner — Brett Miller

Assistant Examiner — Landon Thomas Cassell

(74) *Attorney, Agent, or Firm* — Ralph E. Jocke; Walker & Jocke

(57) **CLAIM**

An ornamental design for an electrical enclosure, as shown and described.

DESCRIPTION

FIG. 1 is a front top right perspective view showing our new design for an electrical enclosure.

FIG. 2 is a front top left perspective view.

FIG. 3 is a front view.

FIG. 4 is a top view.

FIG. 5 is a bottom view.

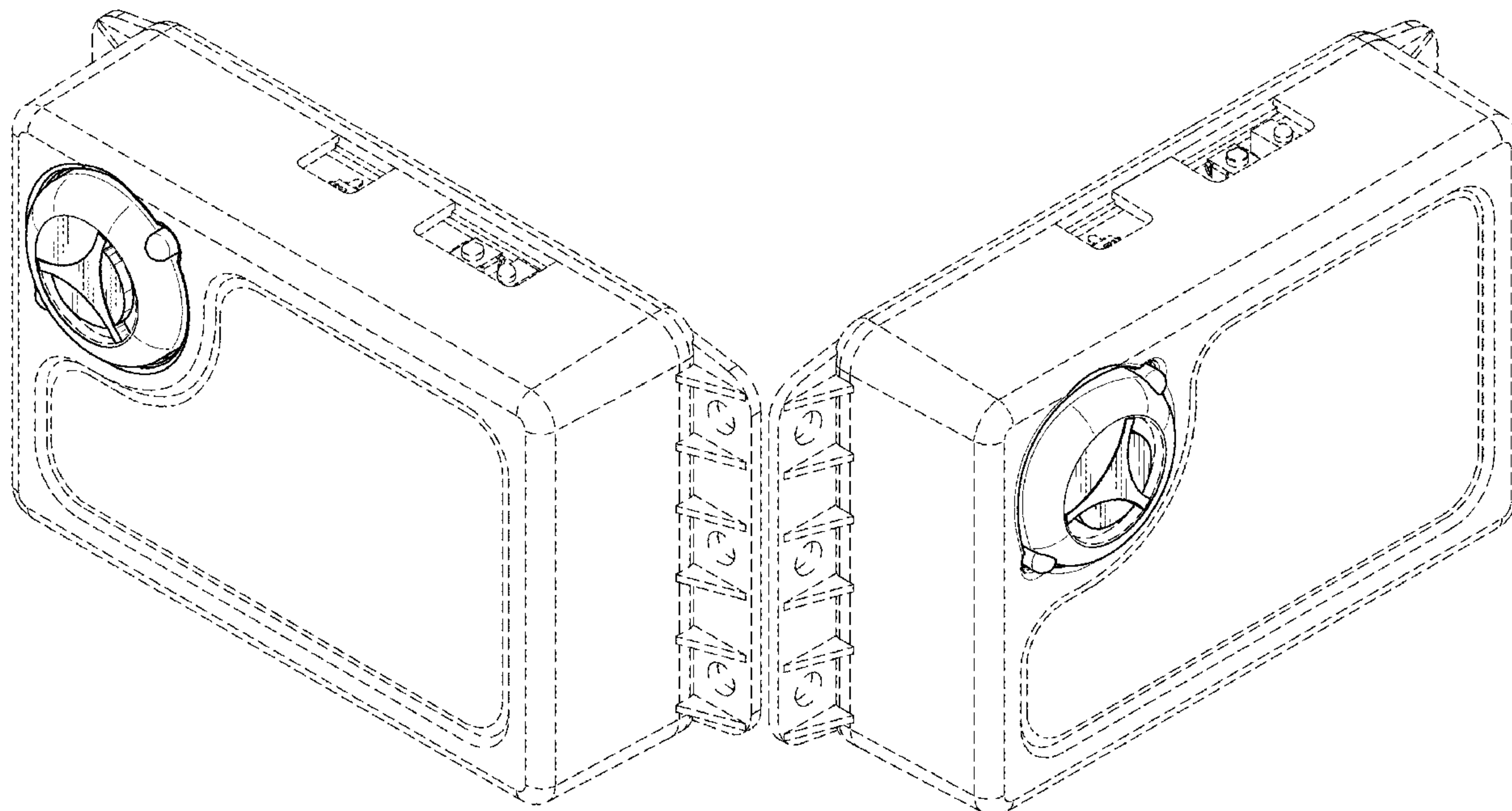
FIG. 6 is a left side view.

FIG. 7 is a right side view; and,

FIG. 8 is a back view.

The broken lines in the drawings depict portions of the electrical enclosure that form no part of the claimed design.

1 Claim, 6 Drawing Sheets



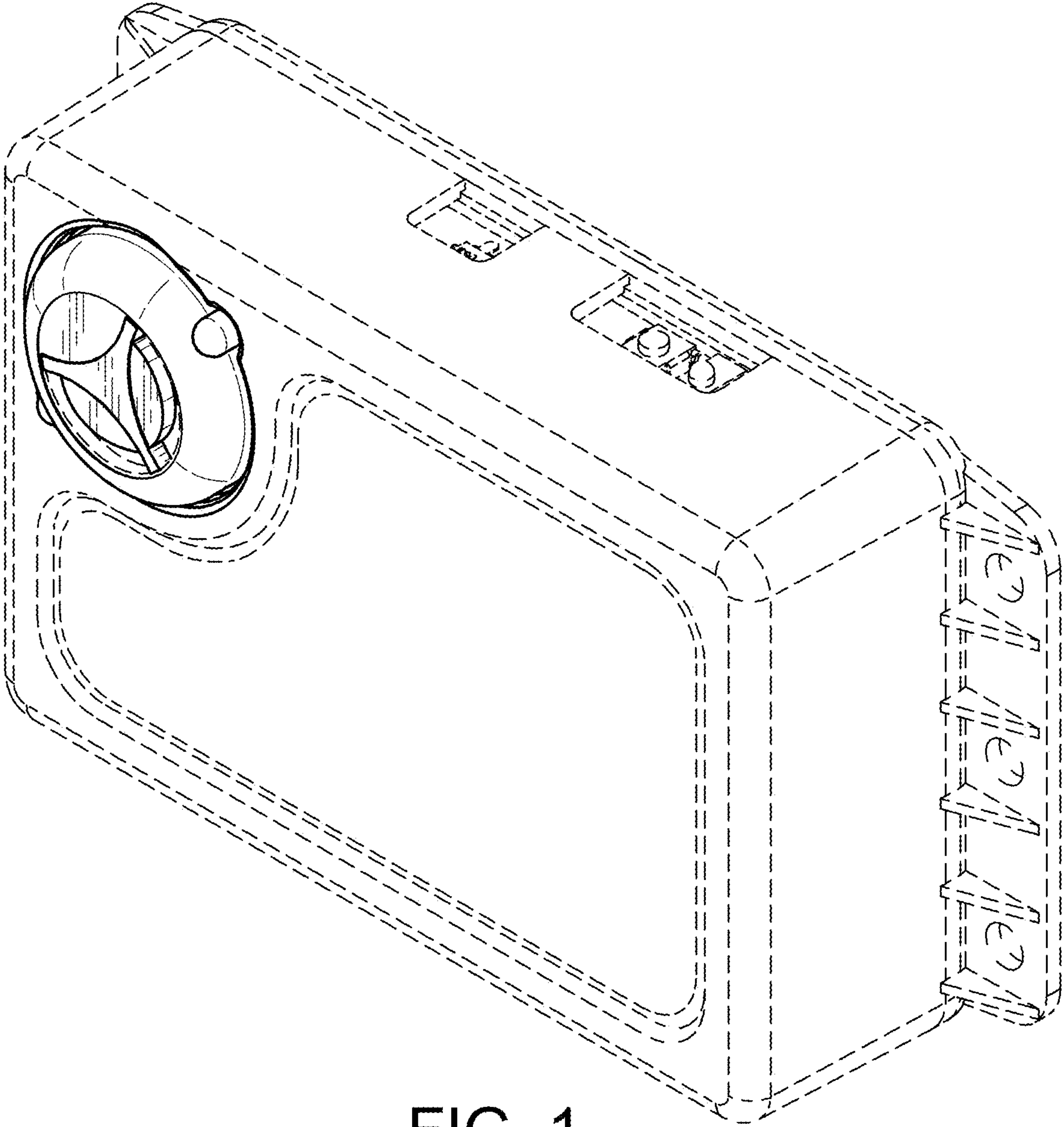


FIG. 1

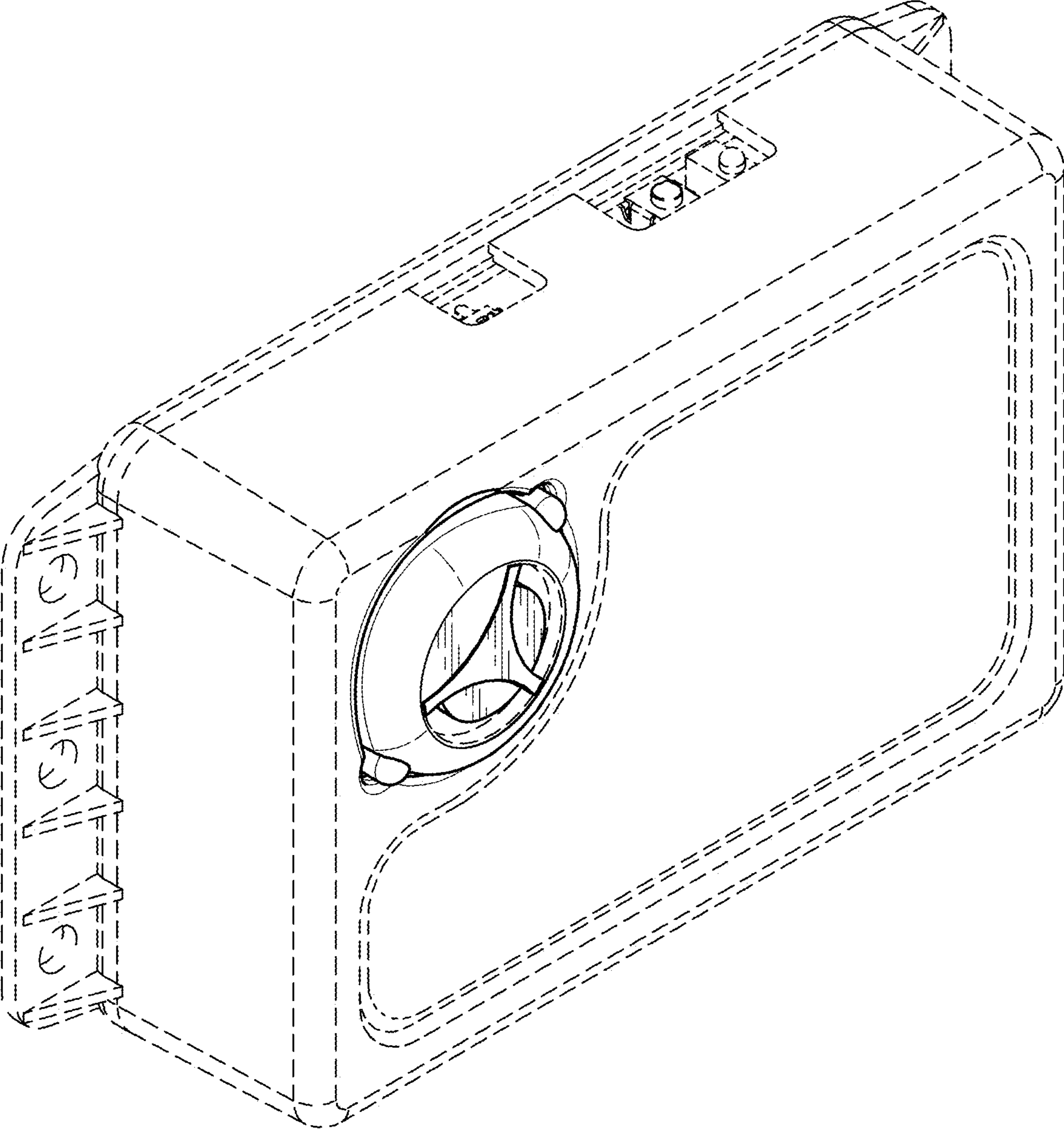


FIG. 2

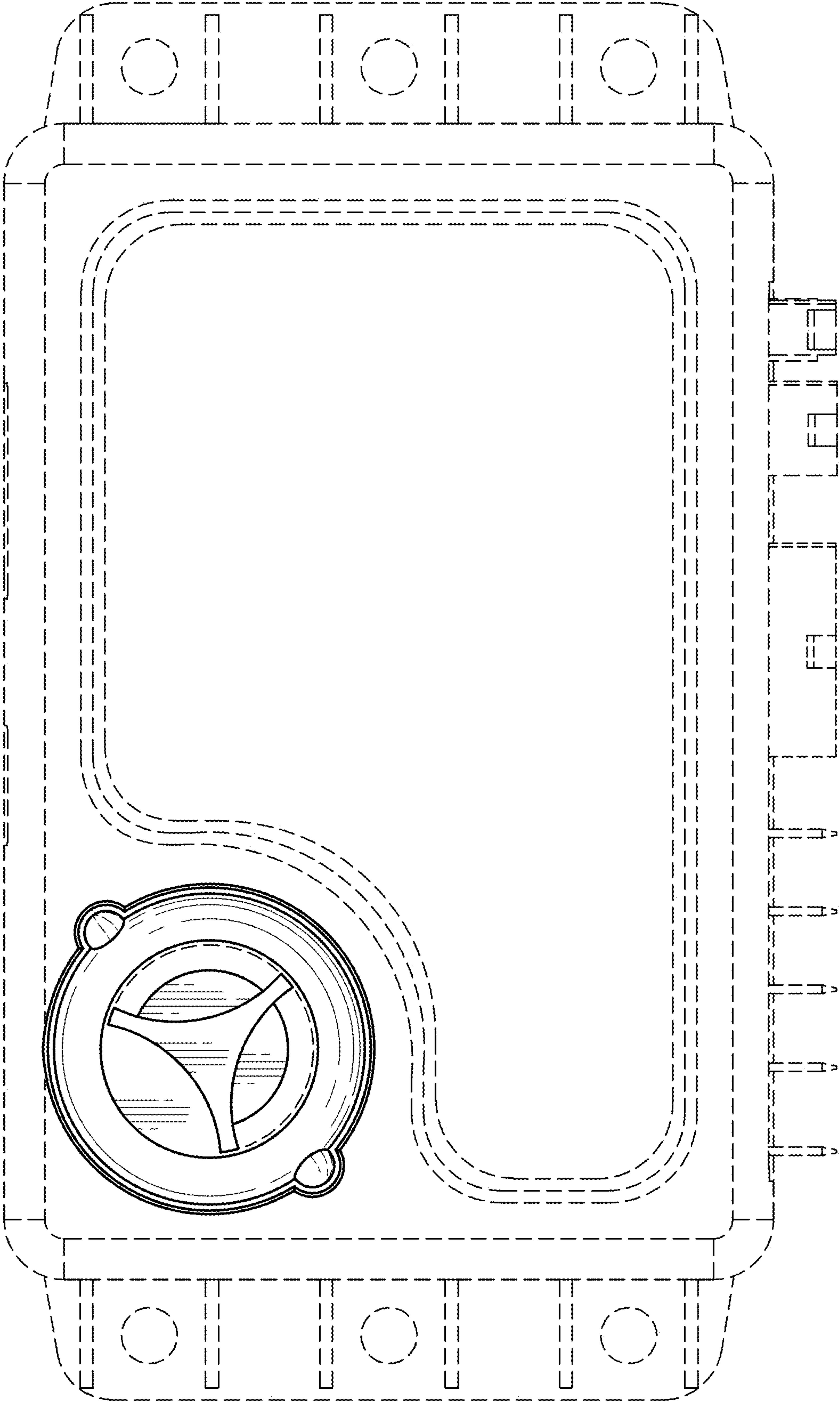


FIG. 3

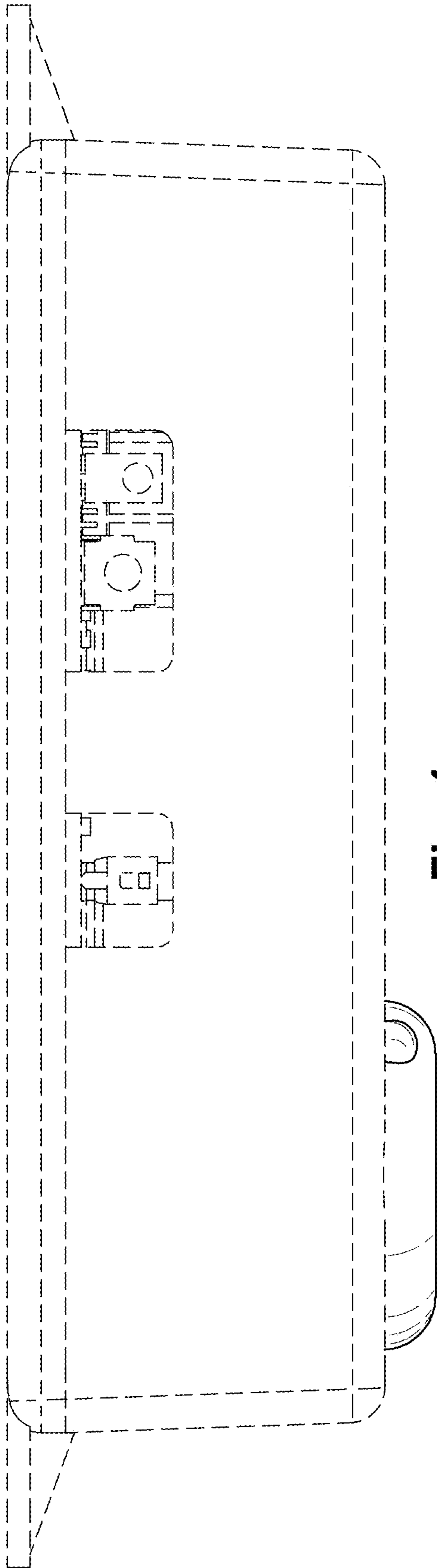


Fig. 4

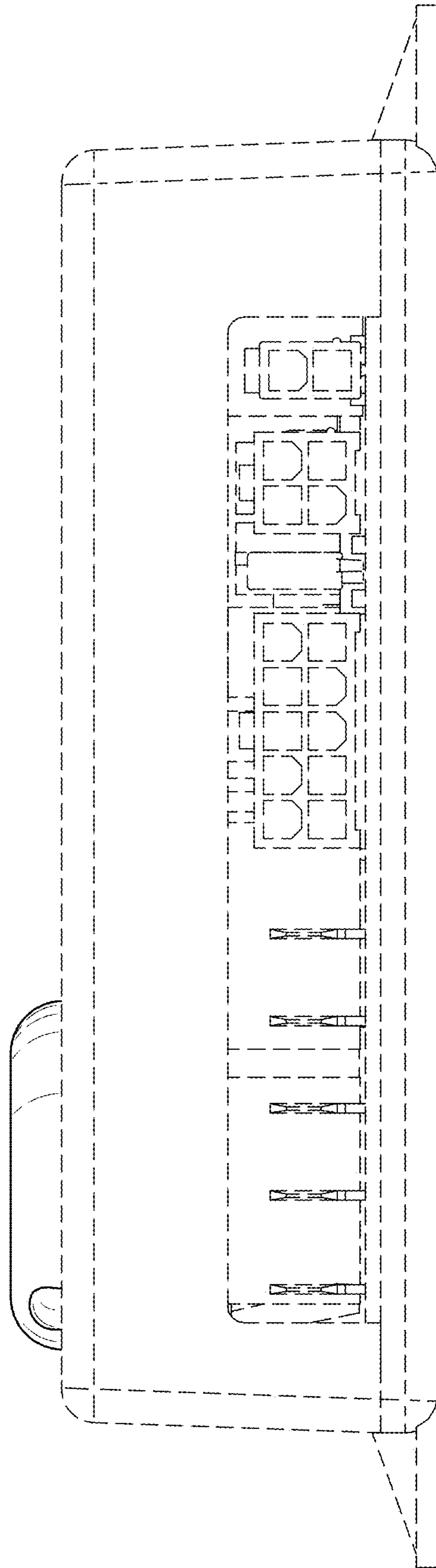


Fig. 5

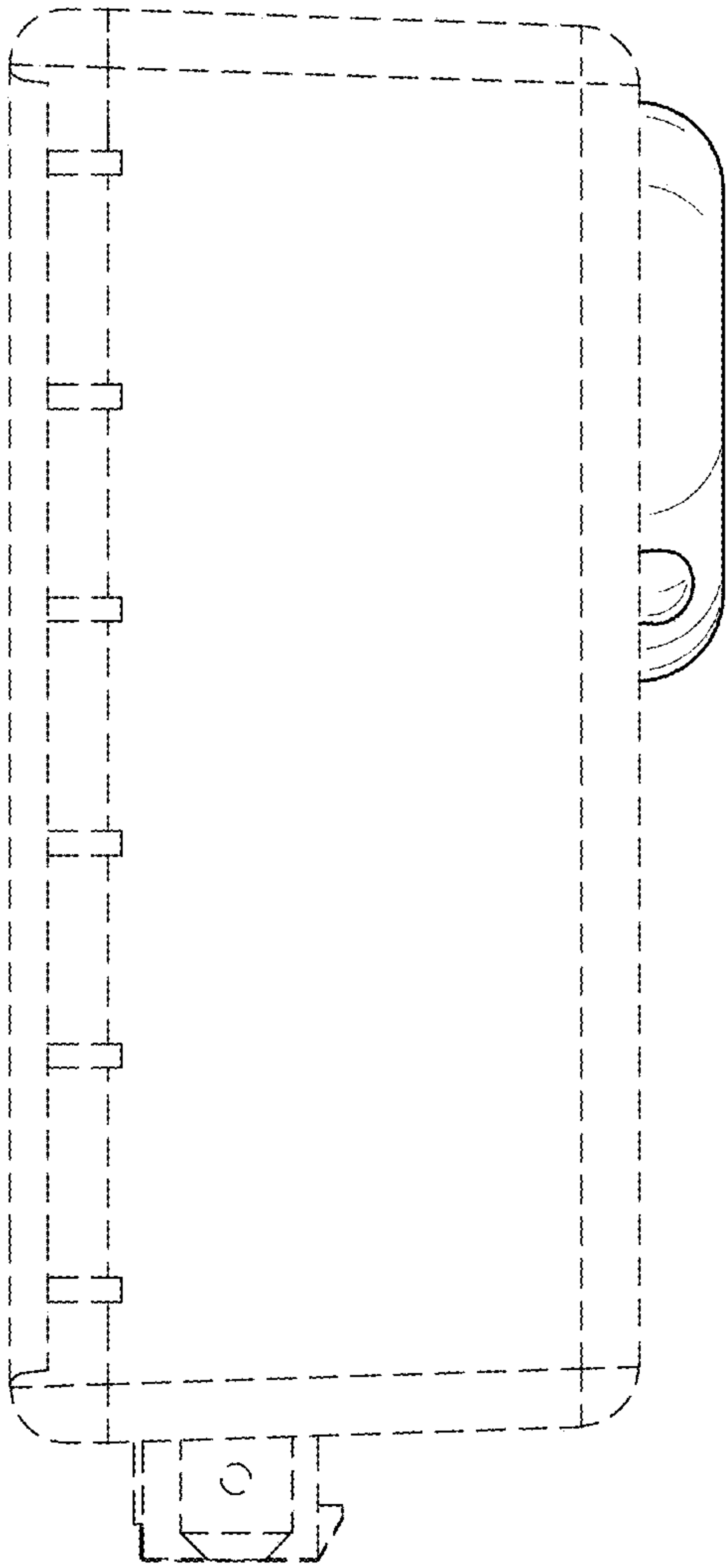


Fig. 6

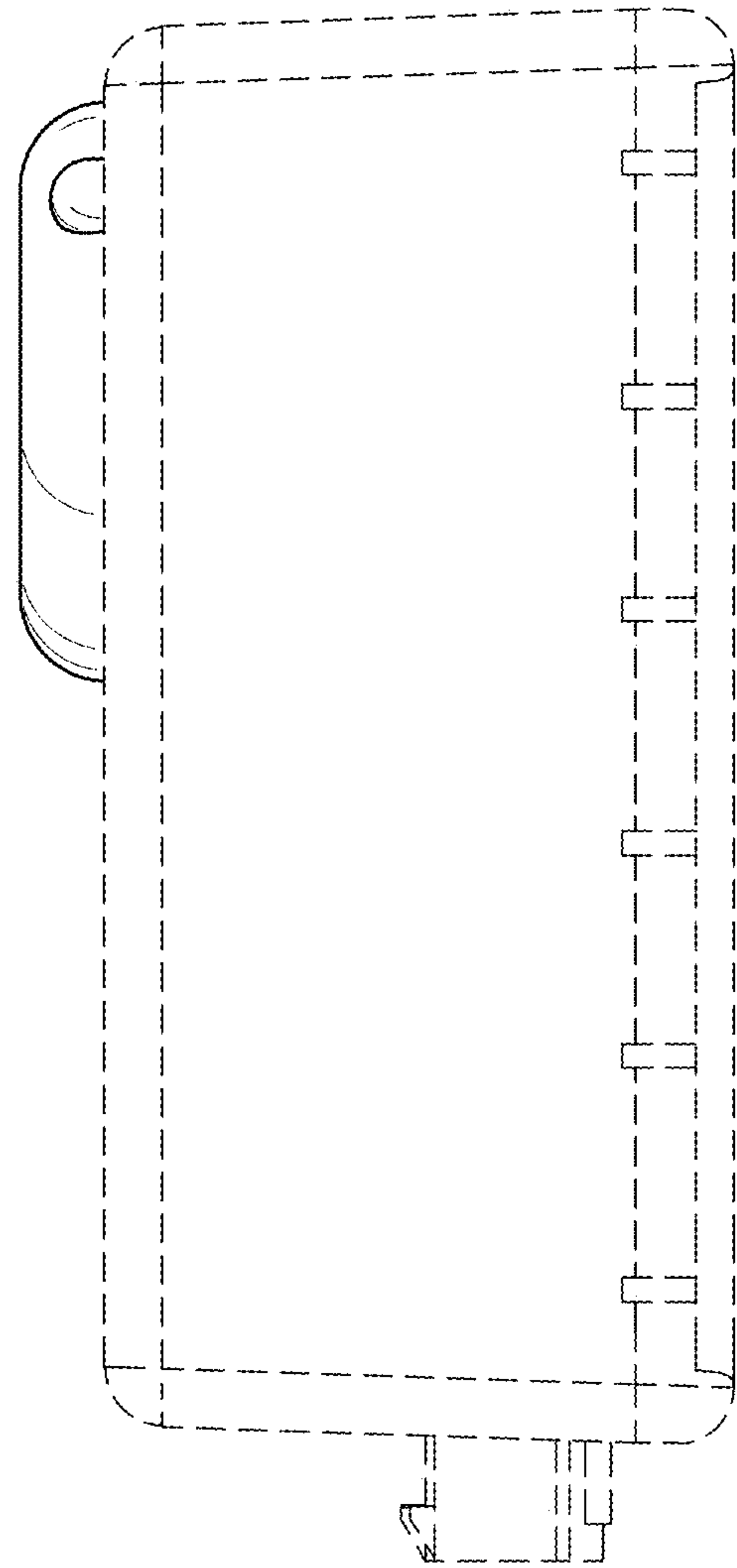


Fig. 7

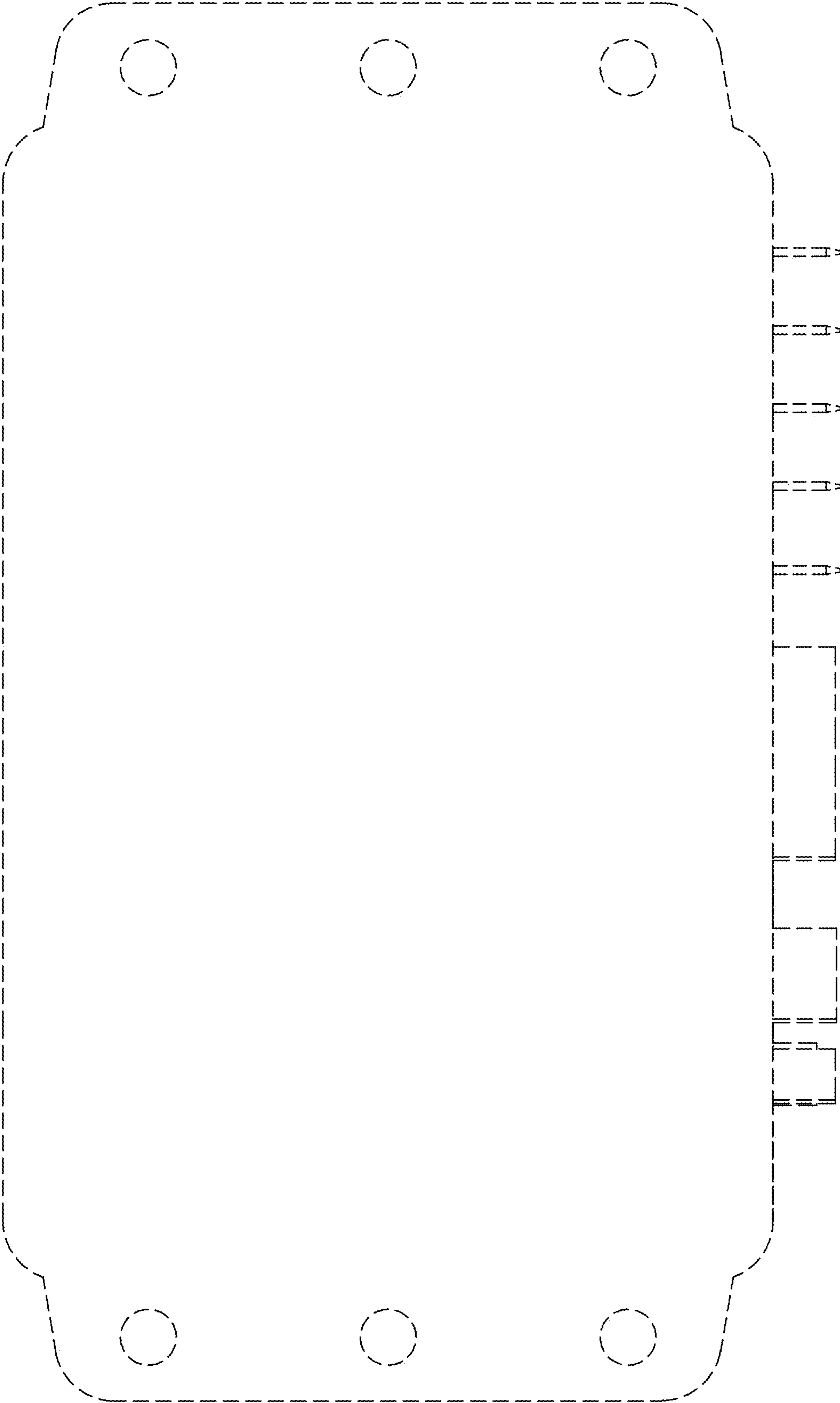


FIG. 8