



US00D939456S

(12) **United States Design Patent**  
**Becker et al.**

(10) **Patent No.:** **US D939,456 S**

(45) **Date of Patent:** **\*\* Dec. 28, 2021**

(54) **GAS APPLIANCE IGNITION SWITCH**

(71) Applicant: **Channel Products, Inc.**, Solon, OH (US)

(72) Inventors: **James S. Becker**, Chardon, OH (US);  
**Christopher Korman**, Akron, OH (US)

(73) Assignee: **CHANNEL PRODUCTS, INC.**, Solon, OH (US)

(\*\*) Term: **15 Years**

(21) Appl. No.: **29/709,950**

(22) Filed: **Oct. 18, 2019**

(51) **LOC (13) Cl.** ..... **13-03**

(52) **U.S. Cl.**  
USPC ..... **D13/171**

(58) **Field of Classification Search**  
USPC ..... D13/162, 171, 174; D7/405, 406  
CPC .. H01H 3/12; H01H 9/02; H01H 9/16; H01H 9/18; H01H 9/181; H01H 9/182; H01H 13/04; H01H 13/14; H01H 2009/187; G06F 3/0362; G05G 1/08; G05G 1/10; H02G 3/14  
See application file for complete search history.

(56) **References Cited**

U.S. PATENT DOCUMENTS

- 3,676,630 A \* 7/1972 Dennison ..... H01H 13/023  
200/295
- D266,084 S \* 9/1982 Colavecchio ..... D13/158
- 4,419,555 A \* 12/1983 Kim ..... H01H 13/023  
200/293
- 4,480,163 A \* 10/1984 Morris ..... H01H 3/12  
200/331
- 5,384,442 A \* 1/1995 Danner ..... G05G 1/087  
200/336
- D392,621 S \* 3/1998 Lorenzo Regidor ..... D13/174
- 6,124,556 A \* 9/2000 Thalhammer ..... H01H 13/023  
200/16 R
- D469,411 S \* 1/2003 Decosse ..... D13/171

- 6,965,085 B1 \* 11/2005 Orrico ..... H01H 11/0006  
200/314
- 7,884,299 B2 \* 2/2011 Glew ..... H03K 17/962  
200/600
- D645,005 S \* 9/2011 Menheere ..... D13/171
- D654,880 S \* 2/2012 Lam ..... D13/174

(Continued)

FOREIGN PATENT DOCUMENTS

- DE 102009044315 A1 4/2011
- EP 0219205 A1 4/1987
- JP S5324774 U 3/1978

OTHER PUBLICATIONS

International Search Report and Written Opinion from corresponding International Application No. PCT/US2019/056911, dated Mar. 20, 2020, 22 pages.

*Primary Examiner* — Selina Sikder

(74) *Attorney, Agent, or Firm* — Tucker Ellis LLP; Michael G. Craig; Heather M. Barnes

(57) **CLAIM**

The ornamental design for a gas appliance ignition switch, as shown and described.

**DESCRIPTION**

FIG. 1 is a top perspective view of a new design for a gas appliance ignition module.

FIG. 2 is a bottom perspective view of FIG. 1.

FIG. 3 is a top plan view of FIG. 1.

FIG. 4 is a bottom view of FIG. 1.

FIG. 5 is a front elevation view of FIG. 1.

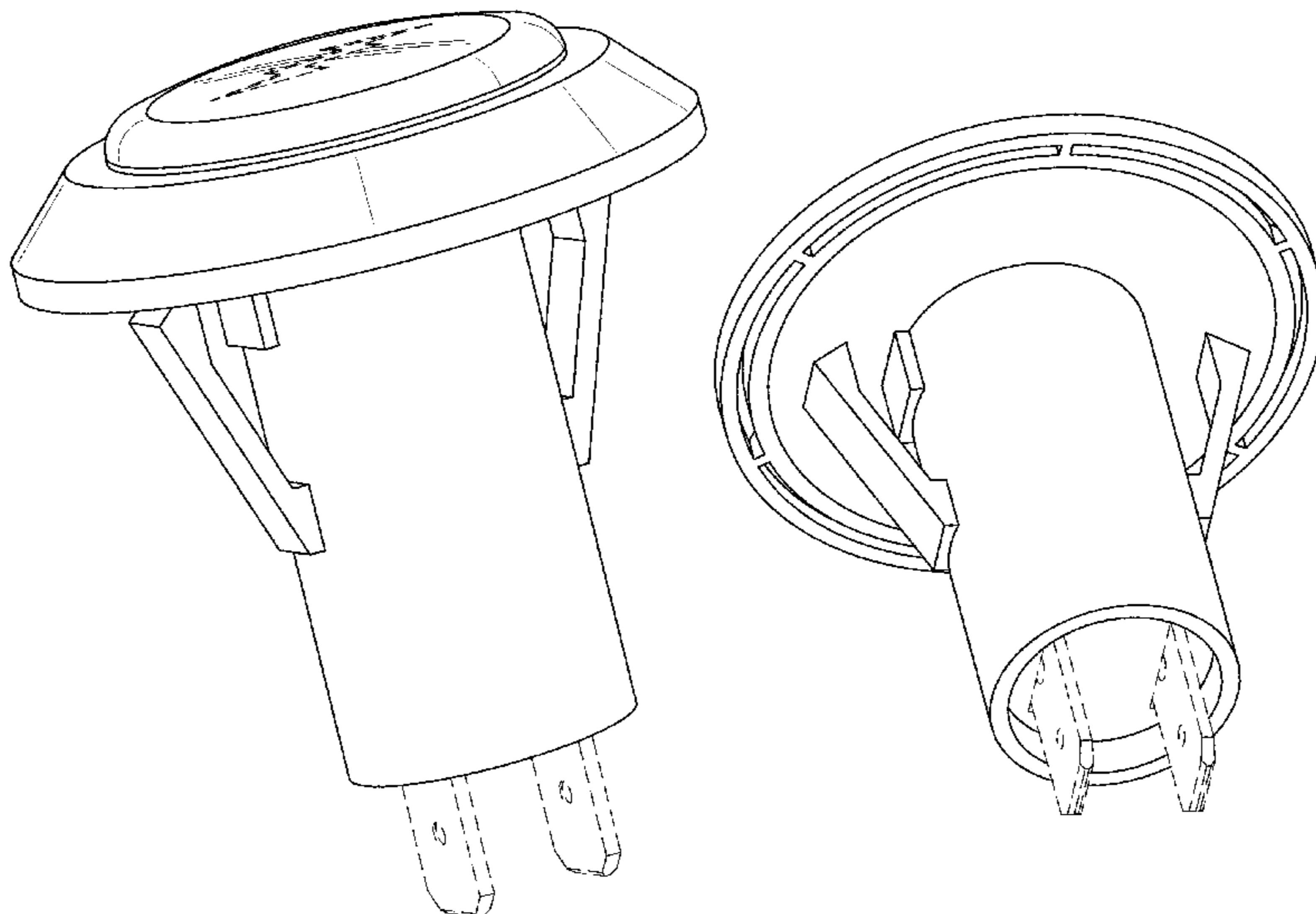
FIG. 6 is a rear elevation view of FIG. 1.

FIG. 7 is a right side view of FIG. 1; and,

FIG. 8 is a left side view of FIG. 1.

The broken lines in the drawing depict portions of the gas appliance ignition switch that form no part of the claimed design.

**1 Claim, 5 Drawing Sheets**



(56)

References Cited

U.S. PATENT DOCUMENTS

D692,841 S \* 11/2013 Li ..... D13/174  
 D725,612 S \* 3/2015 Schlegel ..... D13/174  
 9,412,530 B2 \* 8/2016 Kirita ..... F02N 11/087  
 9,543,089 B2 \* 1/2017 Kirita ..... H01H 13/83  
 10,096,438 B2 \* 10/2018 Yamamoto ..... H01H 9/181  
 D852,149 S \* 6/2019 Wasmeier ..... D13/174  
 D880,433 S \* 4/2020 Woo ..... D13/171  
 D882,533 S \* 4/2020 Fujino ..... D13/174  
 D883,239 S \* 5/2020 Fujino ..... D13/174  
 D885,356 S \* 5/2020 Rogge ..... D13/174  
 2006/0209484 A1 \* 9/2006 Roell ..... H01H 13/023  
 361/118  
 2007/0102275 A1 \* 5/2007 Genz ..... H01H 13/06  
 200/406  
 2007/0193867 A1 \* 8/2007 Lorenzo Riera ..... H01H 13/023  
 200/314  
 2008/0229864 A1 \* 9/2008 Isono ..... G05G 5/03  
 74/491  
 2009/0116239 A1 \* 5/2009 Wu ..... H01H 13/023  
 362/253  
 2010/0206705 A1 \* 8/2010 Yamamoto ..... H01H 13/06  
 200/341

2010/0220495 A1 \* 9/2010 Truesdale ..... H01H 13/023  
 362/581  
 2012/0075063 A1 \* 3/2012 Sakamoto ..... H01H 13/023  
 340/5.62  
 2012/0199461 A1 \* 8/2012 Shim ..... B60R 25/00  
 200/52 R  
 2013/0037392 A1 \* 2/2013 Nakajima ..... G05G 1/08  
 200/9  
 2014/0042002 A1 \* 2/2014 Chu ..... H03K 17/9622  
 200/313  
 2017/0138607 A1 5/2017 Becker et al.  
 2018/0038478 A1 \* 2/2018 Arakawa ..... B60K 20/08  
 2018/0047528 A1 \* 2/2018 Yamamoto ..... H01H 9/181  
 2018/0056177 A1 \* 3/2018 Sakamoto ..... G05G 1/02  
 2018/0210486 A1 \* 7/2018 Choi ..... H01H 9/182  
 2018/0330902 A1 \* 11/2018 Takada ..... B60K 37/06  
 2019/0088422 A1 \* 3/2019 Thizon ..... H01H 3/12  
 2019/0108953 A1 \* 4/2019 Dooley ..... H01H 19/11  
 2020/0110492 A1 \* 4/2020 Sun ..... H03K 17/96  
 2020/0124290 A1 \* 4/2020 Becker ..... F24C 3/103  
 2020/0174512 A1 \* 6/2020 Battlogg ..... B60K 37/00  
 2020/0241586 A1 \* 7/2020 Dil ..... B01F 15/00123  
 2020/0253073 A1 \* 8/2020 Cui ..... H01H 19/005

\* cited by examiner

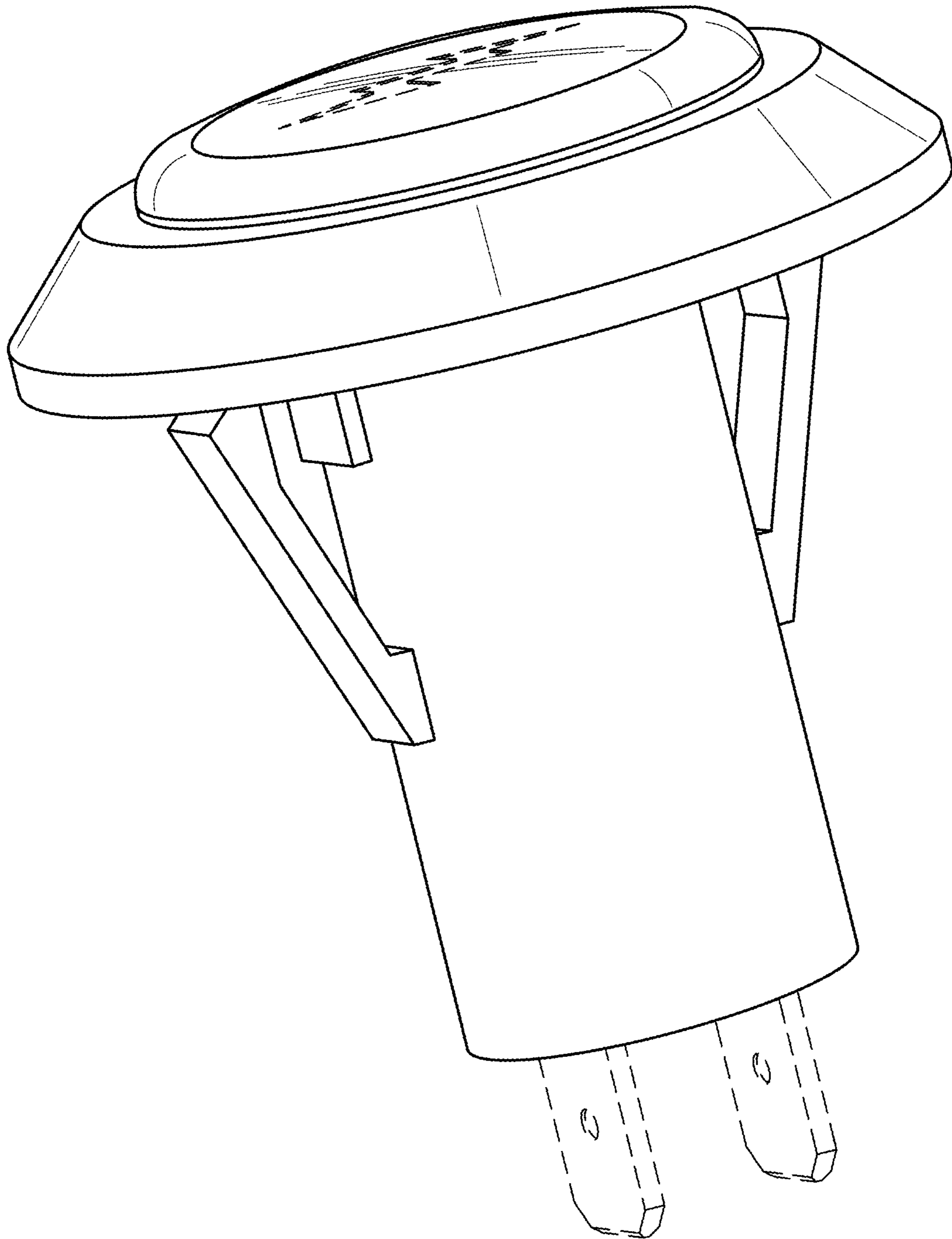


FIG. 1

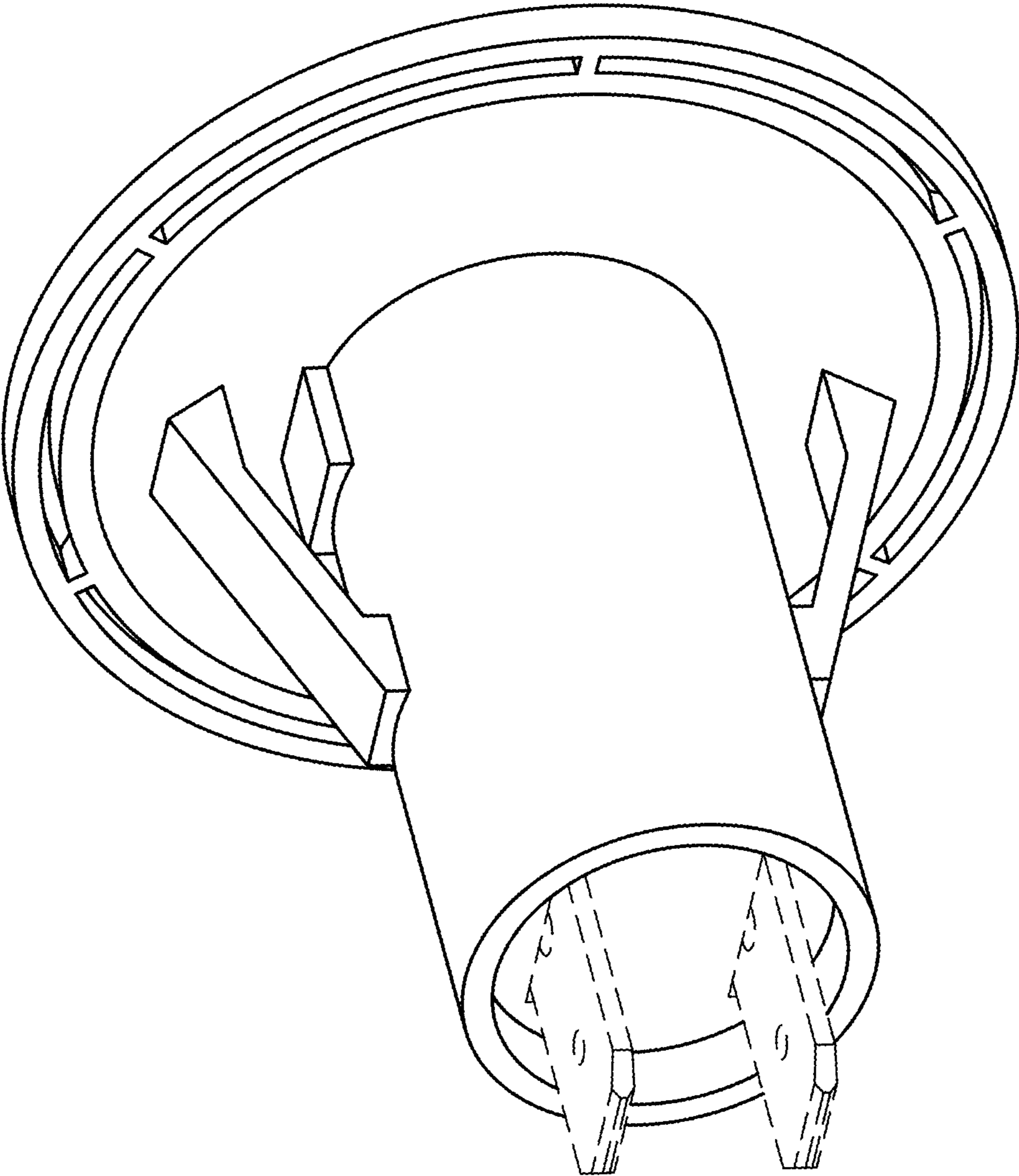


FIG. 2

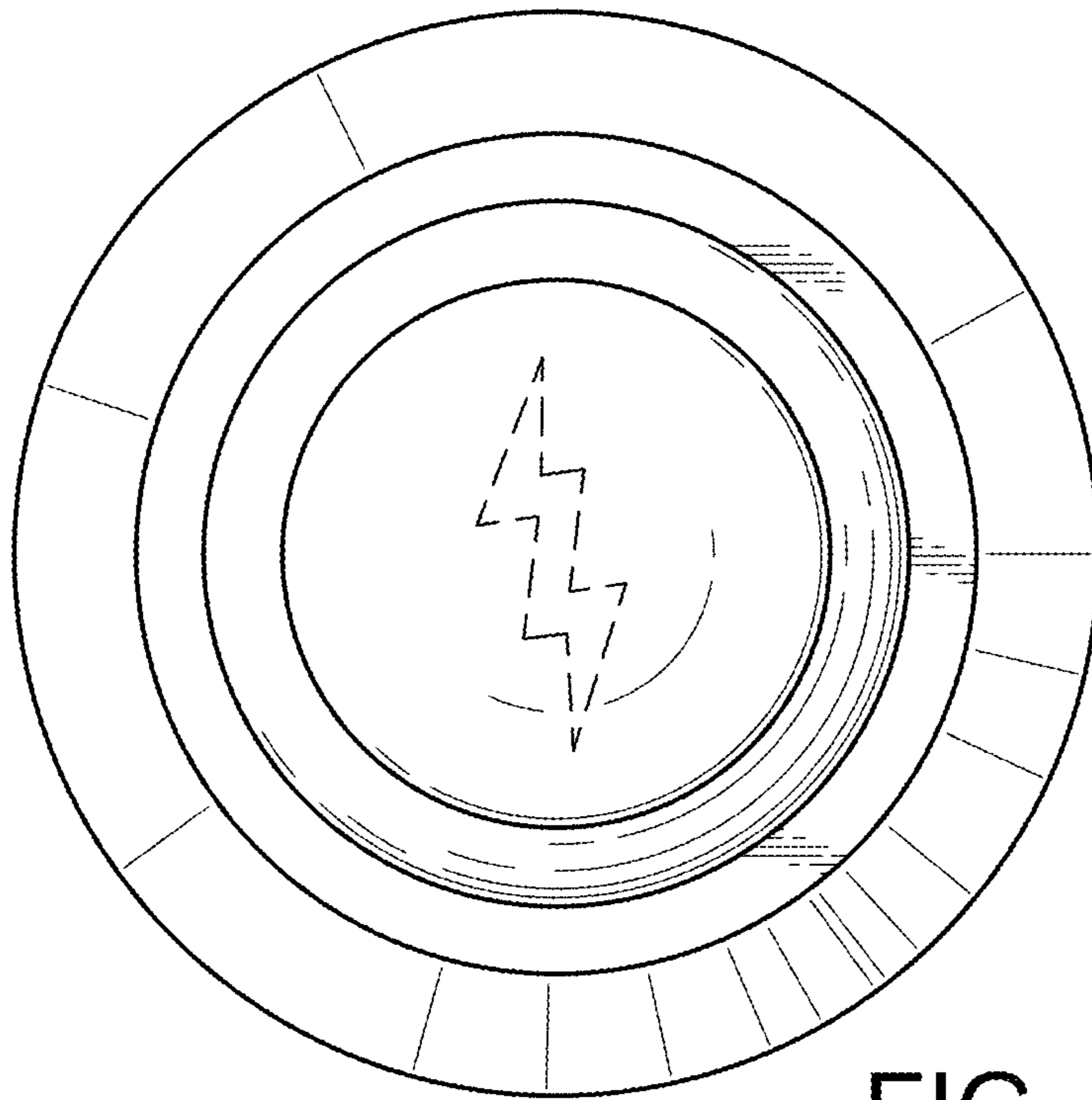


FIG. 3

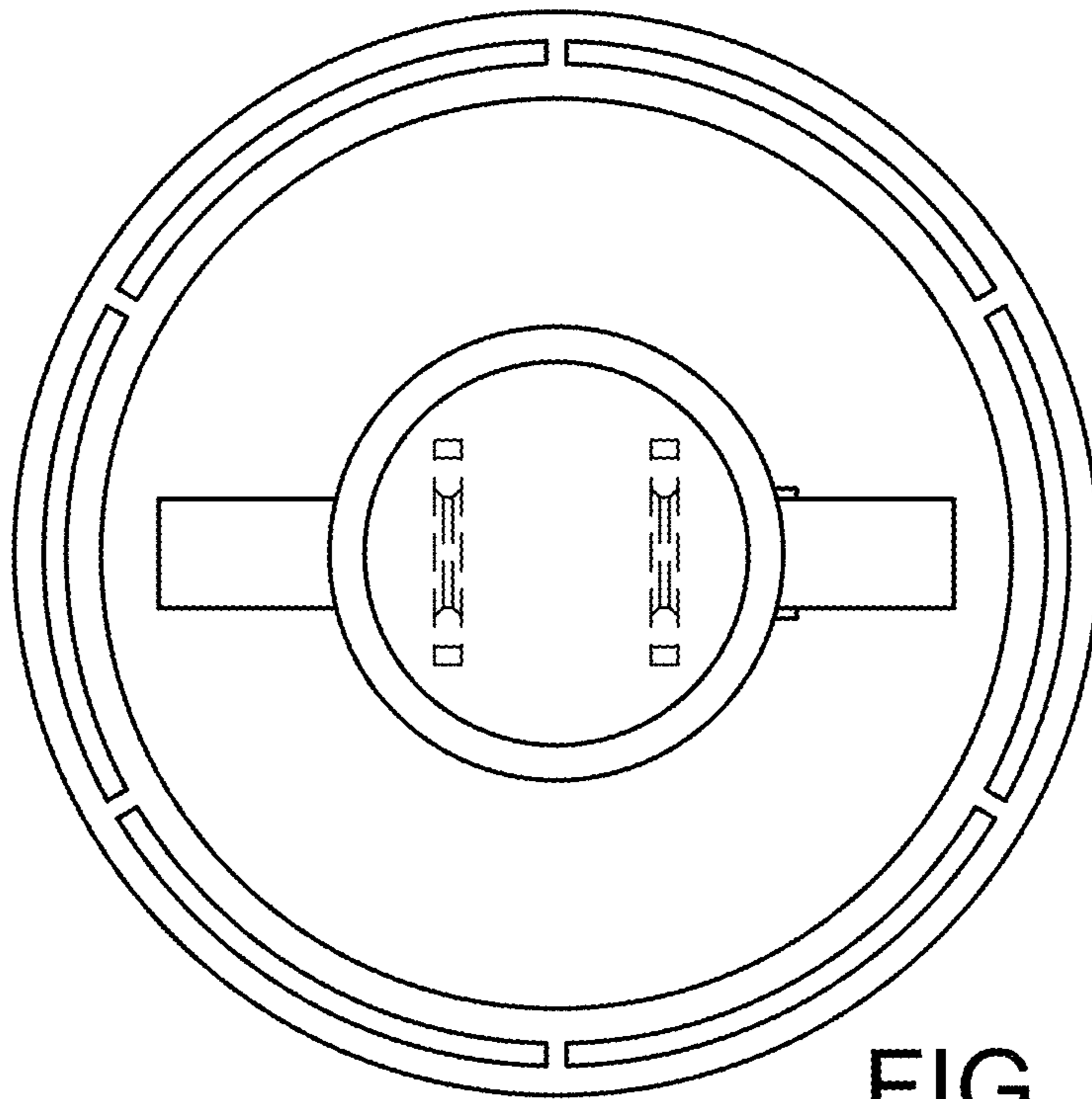


FIG. 4

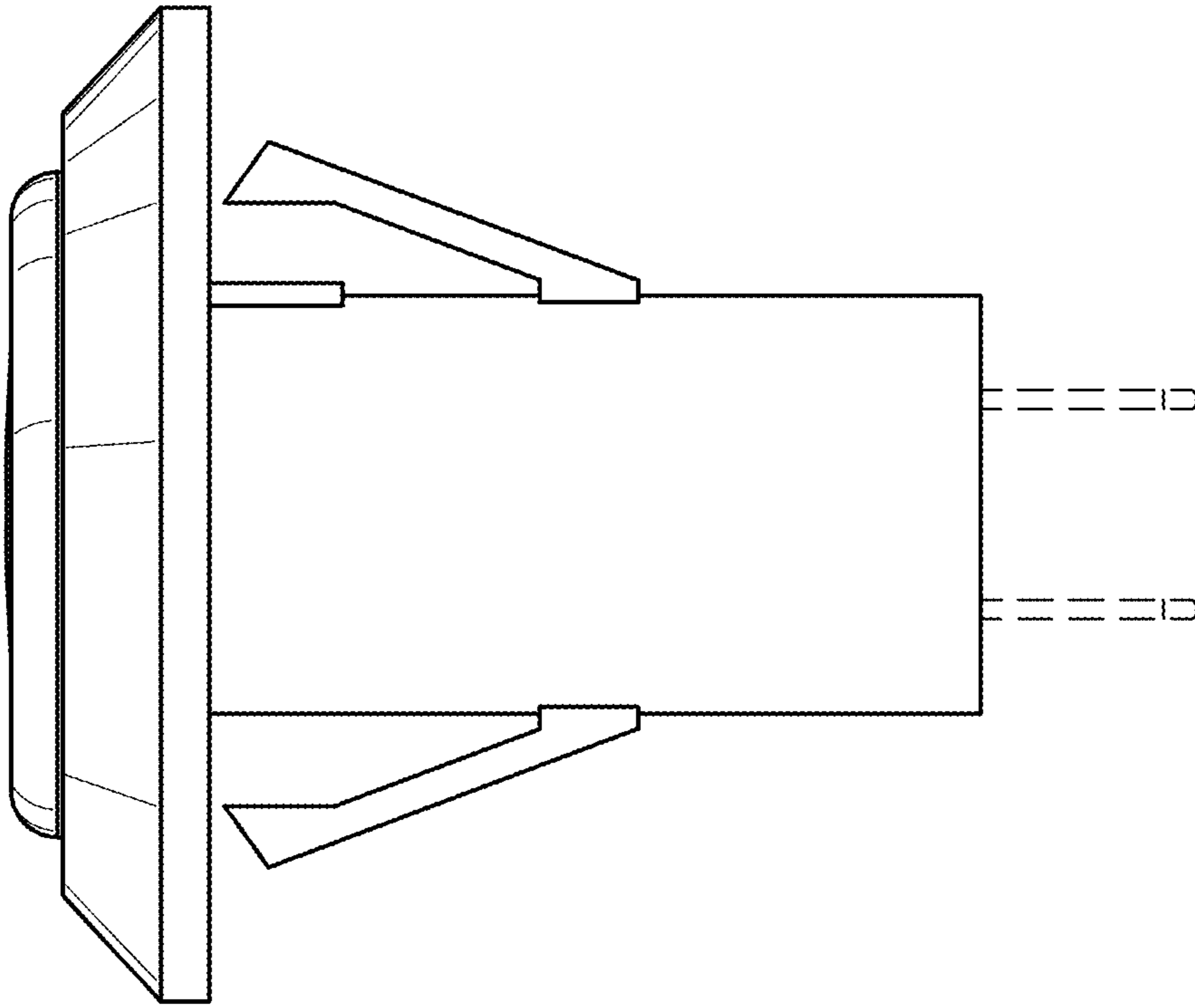


FIG. 6

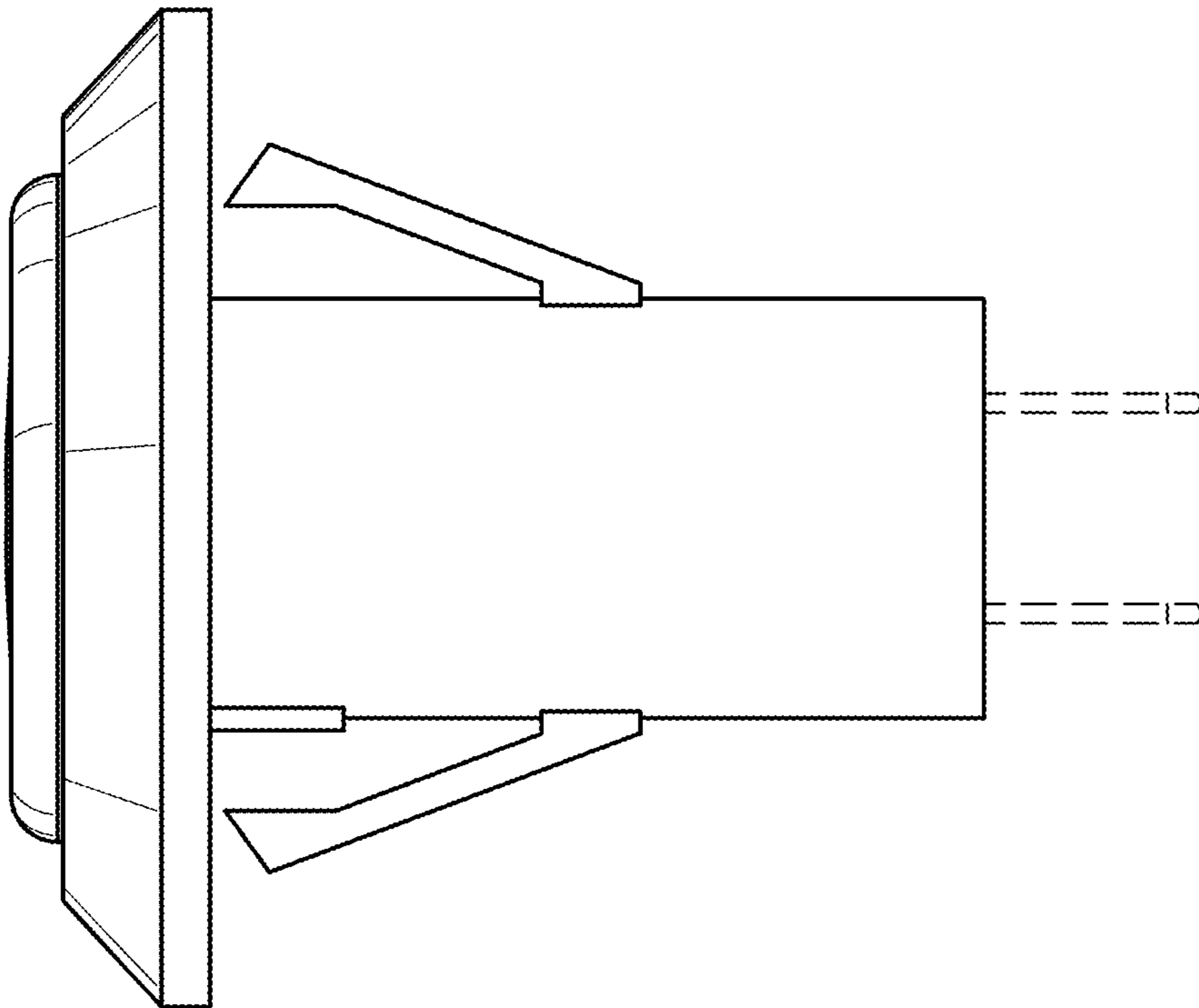


FIG. 5

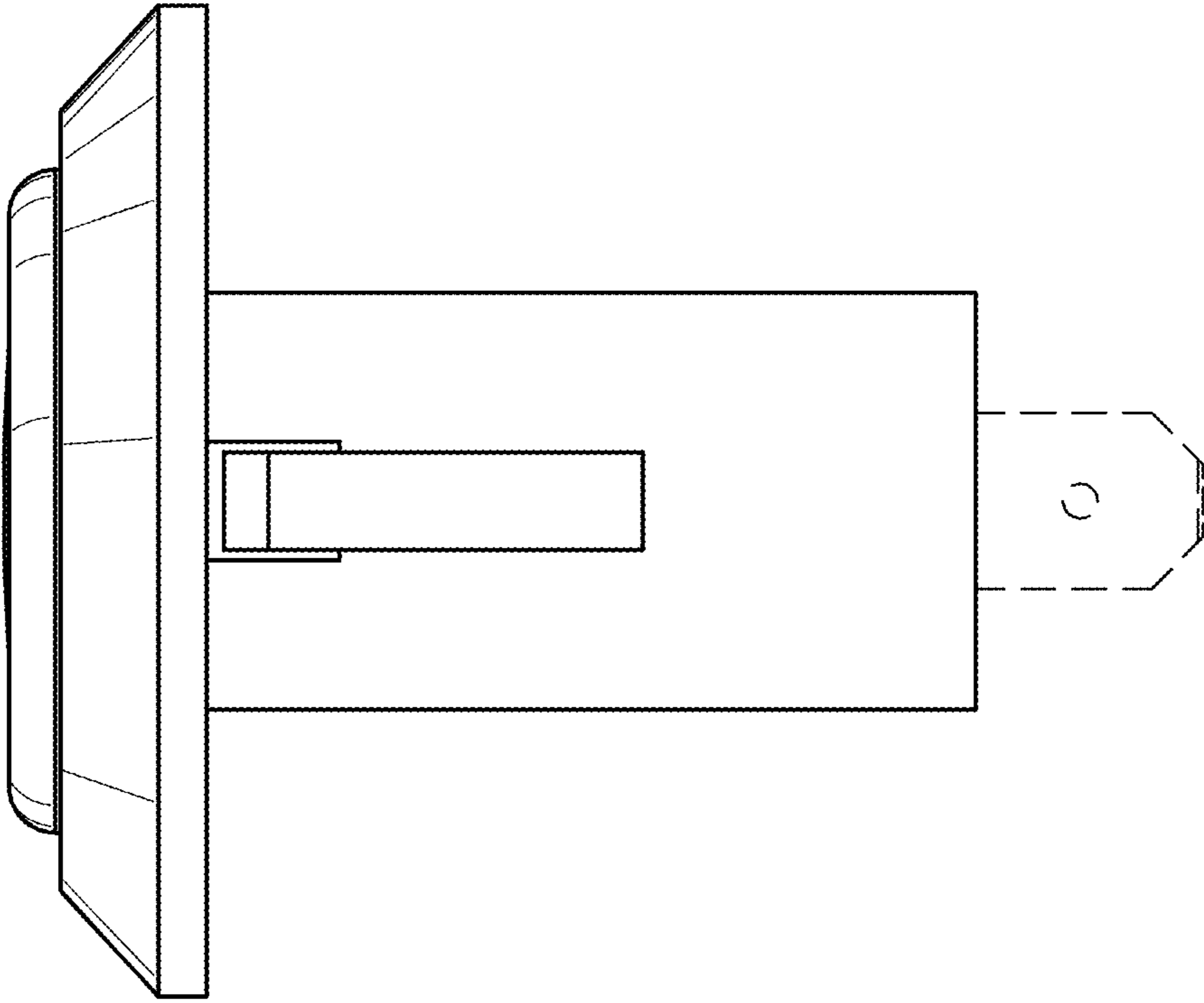


FIG. 8

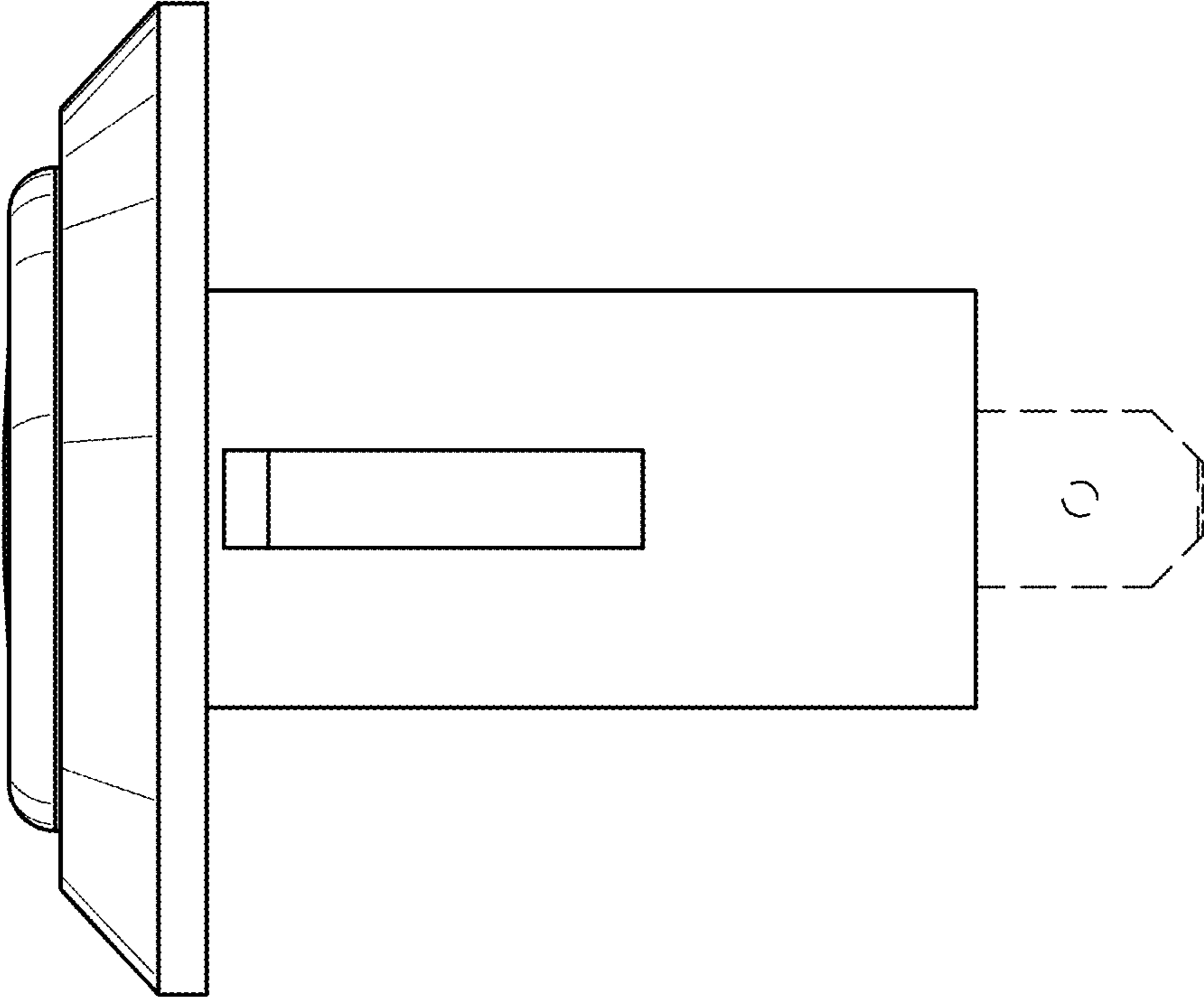


FIG. 7