



US00D939453S

(12) **United States Design Patent** (10) **Patent No.:** **US D939,453 S**  
**Kennedy et al.** (45) **Date of Patent:** **\*\* Dec. 28, 2021**

(54) **PENDANT**

- (71) Applicant: **Stryker Corporation**, Kalamazoo, MI (US)
- (72) Inventors: **Jeffrey Alan Kennedy**, Kalamazoo, MI (US); **Kurosh Nahavandi**, Portage, MI (US); **Krishna Sandeep Bhimavarapu**, Kalamazoo, MI (US); **Kyle Stephen Spieker**, Kalamazoo, MI (US); **Eric M. Heffernan**, Kalamazoo, MI (US)
- (73) Assignee: **Stryker Corporation**, Kalamazoo, MI (US)

(\*\*) Term: **15 Years**

(21) Appl. No.: **29/735,177**

(22) Filed: **May 19, 2020**

(51) **LOC (13) Cl.** ..... **14-03**

(52) **U.S. Cl.**  
USPC ..... **D13/168**

(58) **Field of Classification Search**  
USPC ..... D13/168; D14/218; D24/200  
CPC ..... G08C 17/02; G08C 19/00; G08C 19/12;  
G08C 19/28; G08C 23/04; H04B 1/202;  
H05B 47/10; H05B 47/19; H03J 9/00;  
H03J 9/02; H03J 9/04; H03J 9/06; H03J  
1/0025; H01H 9/0225; H01H 9/0228;  
H01H 9/0235; A47C 31/008; A61G 13/02  
See application file for complete search history.

(56) **References Cited**

**U.S. PATENT DOCUMENTS**

- D331,760 S \* 12/1992 Renk, Jr. .... D14/218
- 5,481,251 A \* 1/1996 Buys ..... H03J 1/0025  
340/12.22
- 5,481,256 A \* 1/1996 Darbee ..... H04N 5/4403  
341/176
- 5,926,002 A \* 7/1999 Cavanaugh ..... H01H 9/0214  
318/672

(Continued)

**OTHER PUBLICATIONS**

Berchtold Operon B810 Primary Hand Pendant; retrieved on Aug. 6, 2021; 1 pg.; <https://www.maxim-med.com/product/primary-hand-pendant/>.\*

(Continued)

*Primary Examiner* — Selina Sikder  
(74) *Attorney, Agent, or Firm* — Howard & Howard Attorneys PLLC

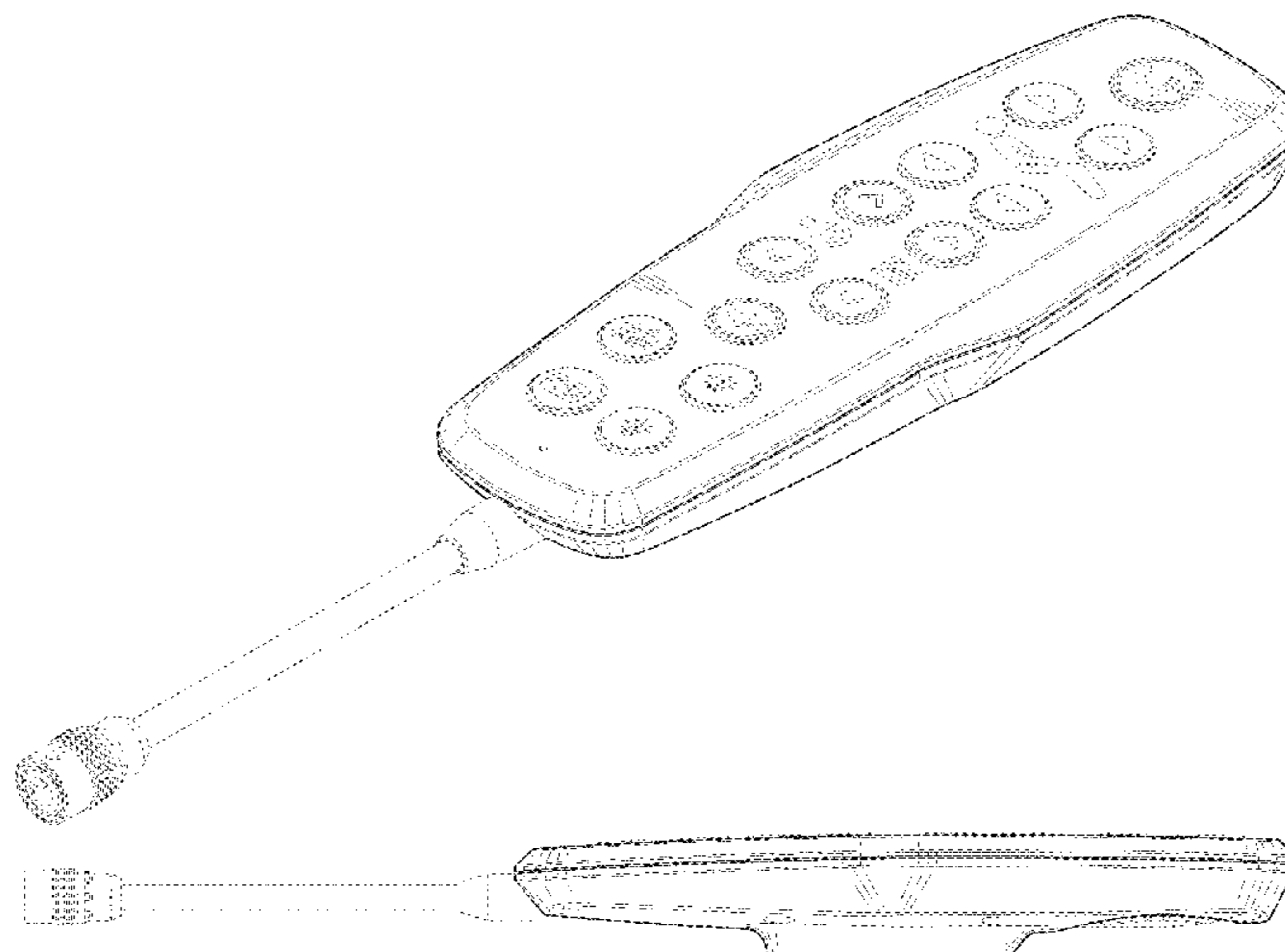
(57) **CLAIM**

The ornamental design for a pendant, as shown and described.

**DESCRIPTION**

FIG. 1 is a front, top, right side perspective view of a first embodiment of a pendant showing our new design; FIG. 2 is a rear, bottom, left side perspective view of the pendant of FIG. 1; FIG. 3 is a top view of the pendant of FIG. 1; FIG. 4 is a right side view of the pendant of FIG. 1; FIG. 5 is a left side view of the pendant of FIG. 1; FIG. 6 is a bottom view of the pendant of FIG. 1; FIG. 7 is a front view of the pendant of FIG. 1; FIG. 8 is a rear view of the pendant of FIG. 1; FIG. 9 is a front, top, right side perspective view of a second embodiment of a pendant; FIG. 10 is a rear, bottom, left side perspective view of the pendant of FIG. 9; FIG. 11 is a top view of the pendant of FIG. 9; FIG. 12 is a right side view of the pendant of FIG. 9; FIG. 13 is a left side view of the pendant of FIG. 9; FIG. 14 is a bottom view of the pendant of FIG. 9; FIG. 15 is a front view of the pendant of FIG. 9; and, FIG. 16 is a rear view of the pendant of FIG. 9. The broken lines in the drawings depict portions of the pendant that form no part of the claimed design.

**1 Claim, 10 Drawing Sheets**



(56)

**References Cited**

## U.S. PATENT DOCUMENTS

6,008,598 A \* 12/1999 Luff ..... A47C 31/008  
 318/16  
 D531,136 S \* 10/2006 Schoenert ..... D13/168  
 D617,744 S \* 6/2010 Landerholm ..... D13/168  
 7,839,627 B2 \* 11/2010 Tanaka ..... H04M 1/0279  
 361/679.3  
 D724,061 S \* 3/2015 Haines ..... D14/218  
 D724,567 S \* 3/2015 Buch ..... D14/218  
 D752,763 S 3/2016 Rondoni et al.  
 9,463,126 B2 10/2016 Zerhusen et al.  
 D793,968 S \* 8/2017 Eriksen ..... D13/168  
 D801,538 S 10/2017 Rondoni et al.  
 9,830,424 B2 11/2017 Dixon et al.  
 D816,621 S \* 5/2018 Williams ..... D13/168  
 D853,339 S \* 7/2019 Bellamah ..... D13/168  
 D860,144 S \* 9/2019 Zhuang ..... D13/168  
 D867,345 S \* 11/2019 Zhuang ..... D14/218  
 D868,037 S \* 11/2019 Zhuang ..... D14/218  
 D868,744 S \* 12/2019 Yang ..... D14/218  
 D883,236 S \* 5/2020 Thomsen ..... D13/168  
 10,658,131 B2 \* 5/2020 Escurier ..... H05K 5/023  
 D897,971 S \* 10/2020 Chen ..... D13/168  
 2020/0253379 A1 \* 8/2020 Song ..... H03G 3/24  
 2020/0305256 A1 \* 9/2020 Tachikawa ..... A61G 7/057  
 2021/0204718 A1 \* 7/2021 Ohno ..... A47C 27/083

## OTHER PUBLICATIONS

Stryker, InTouch Critical Care Bed, Model FL27 2130/2140 Operations Manual, 2130-009-001 Rev C, Apr. 2008, p. 25.

\* cited by examiner

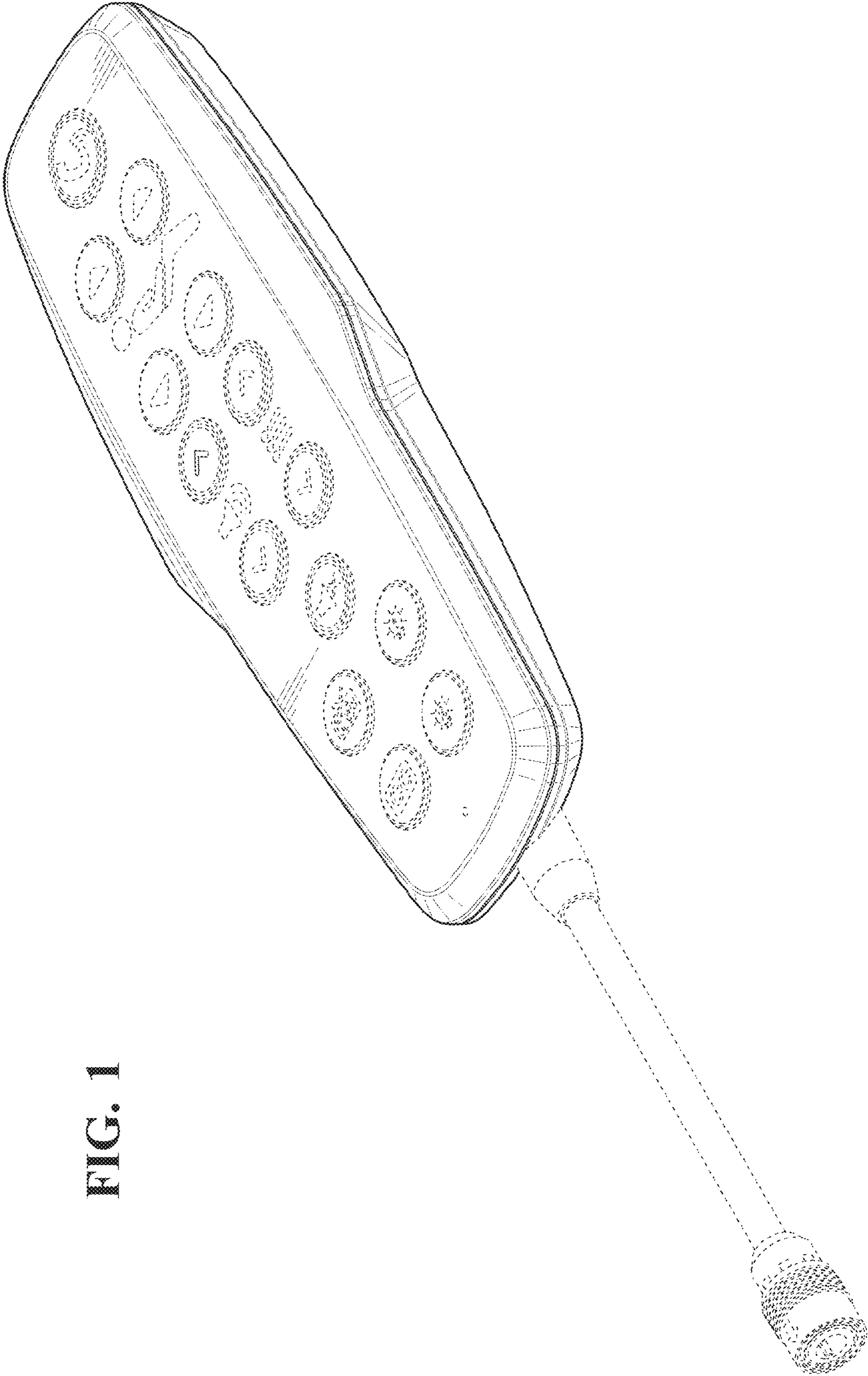
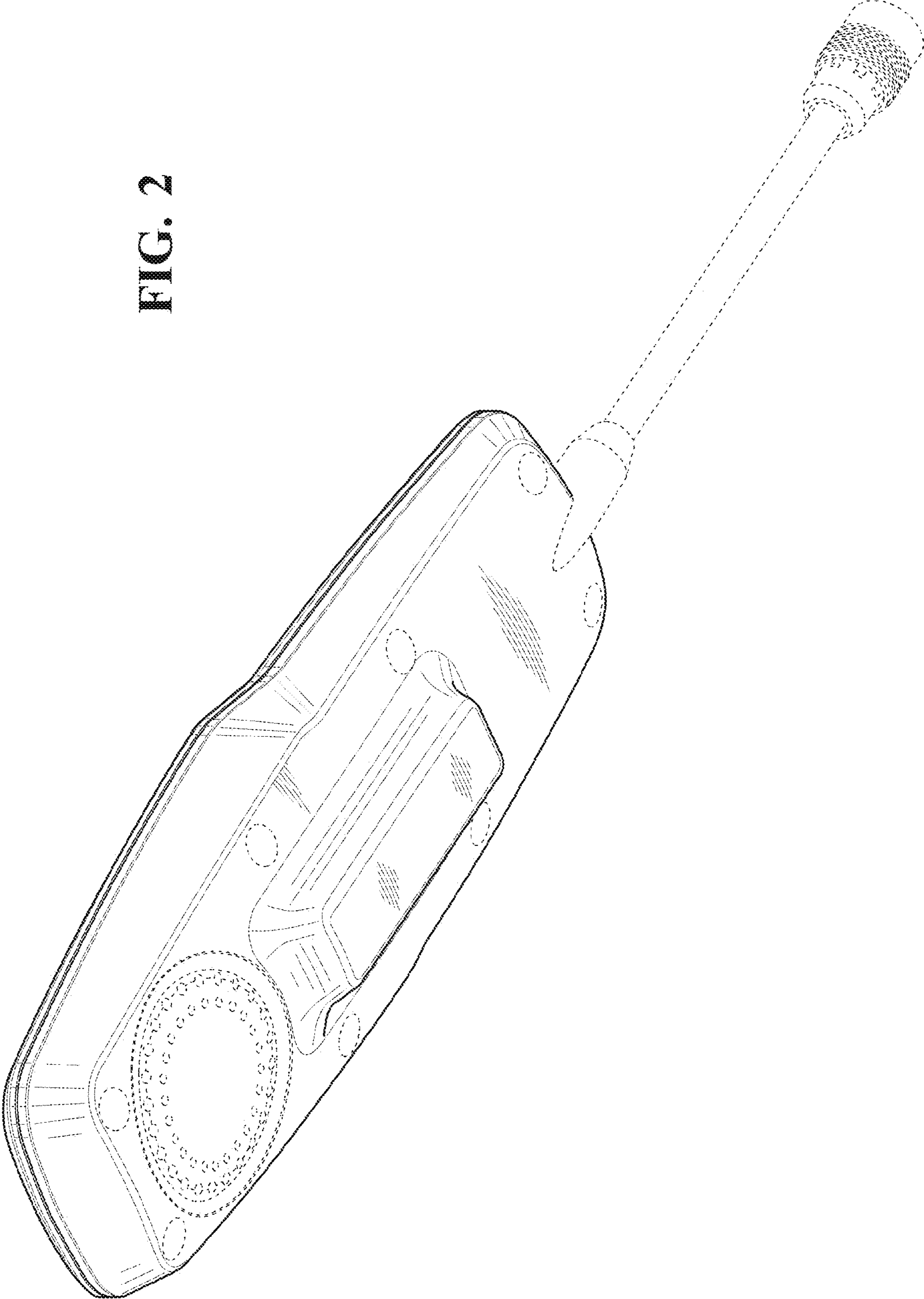
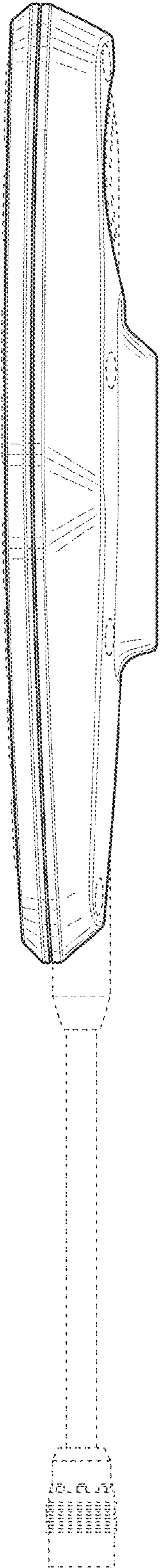


FIG. 1

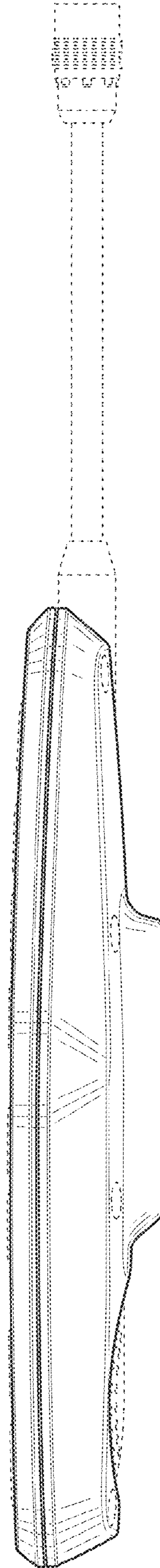
FIG. 2







**FIG. 4**



**FIG. 5**

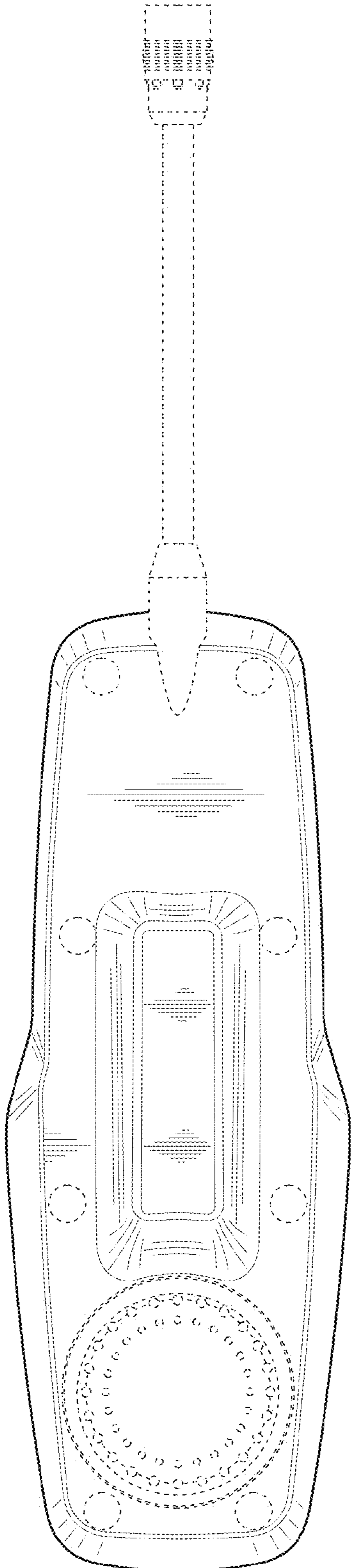


FIG. 6

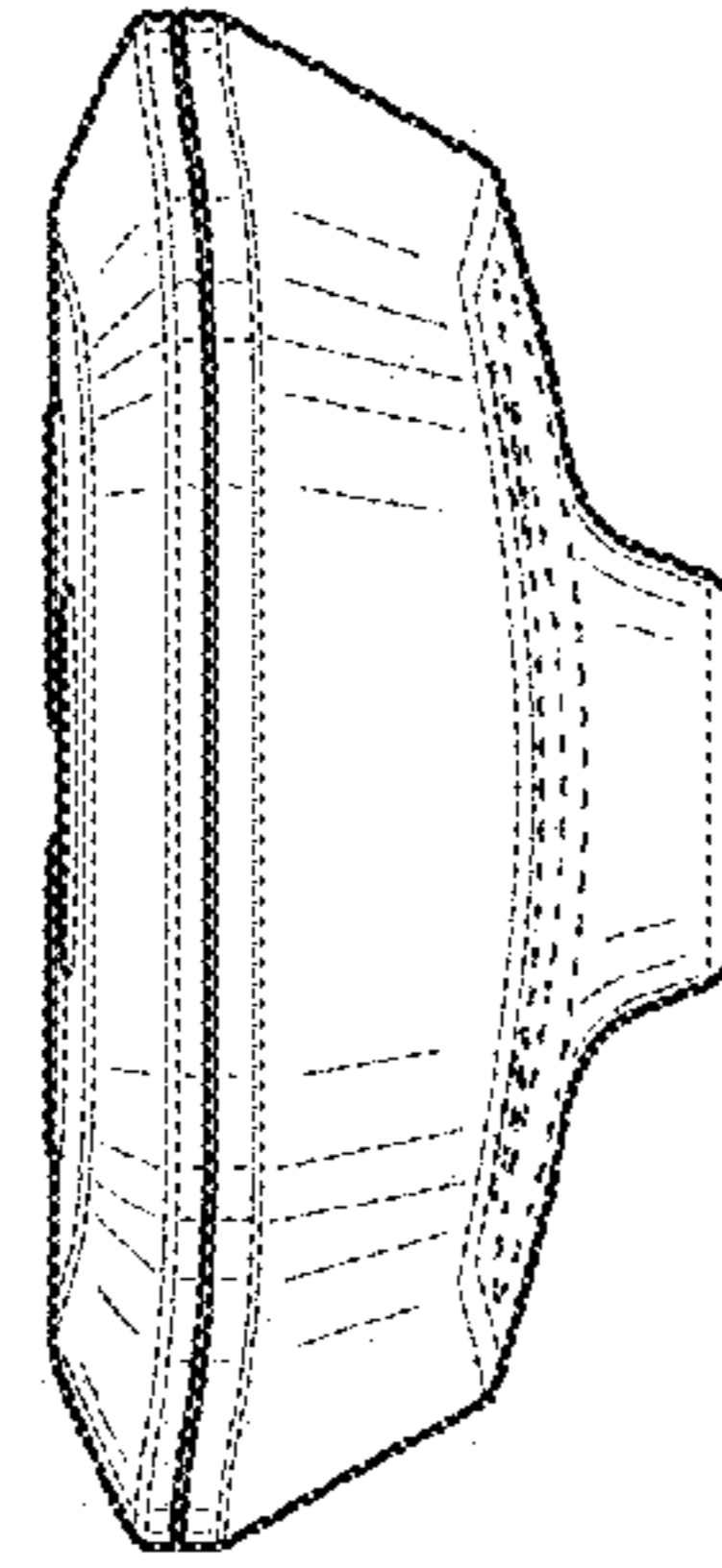


FIG. 8

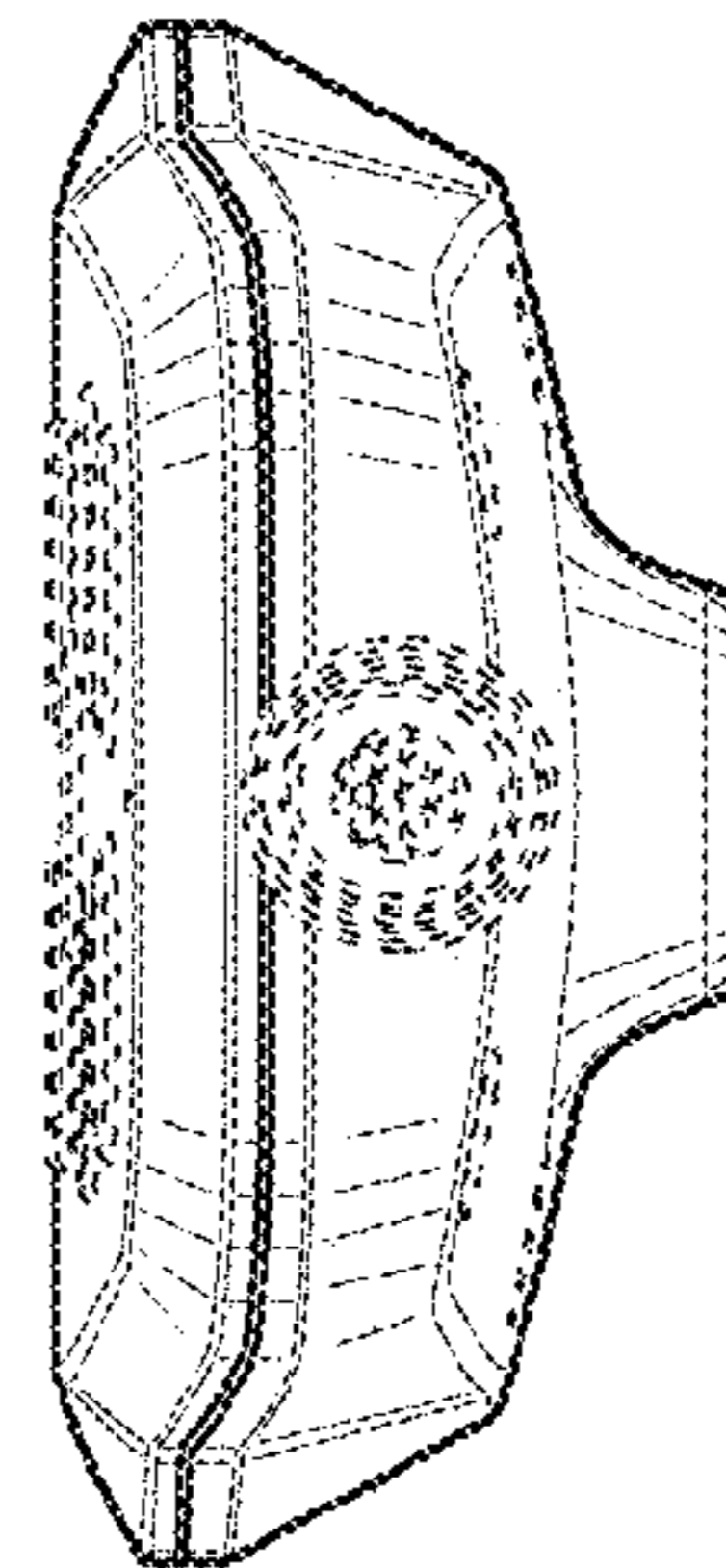


FIG. 7

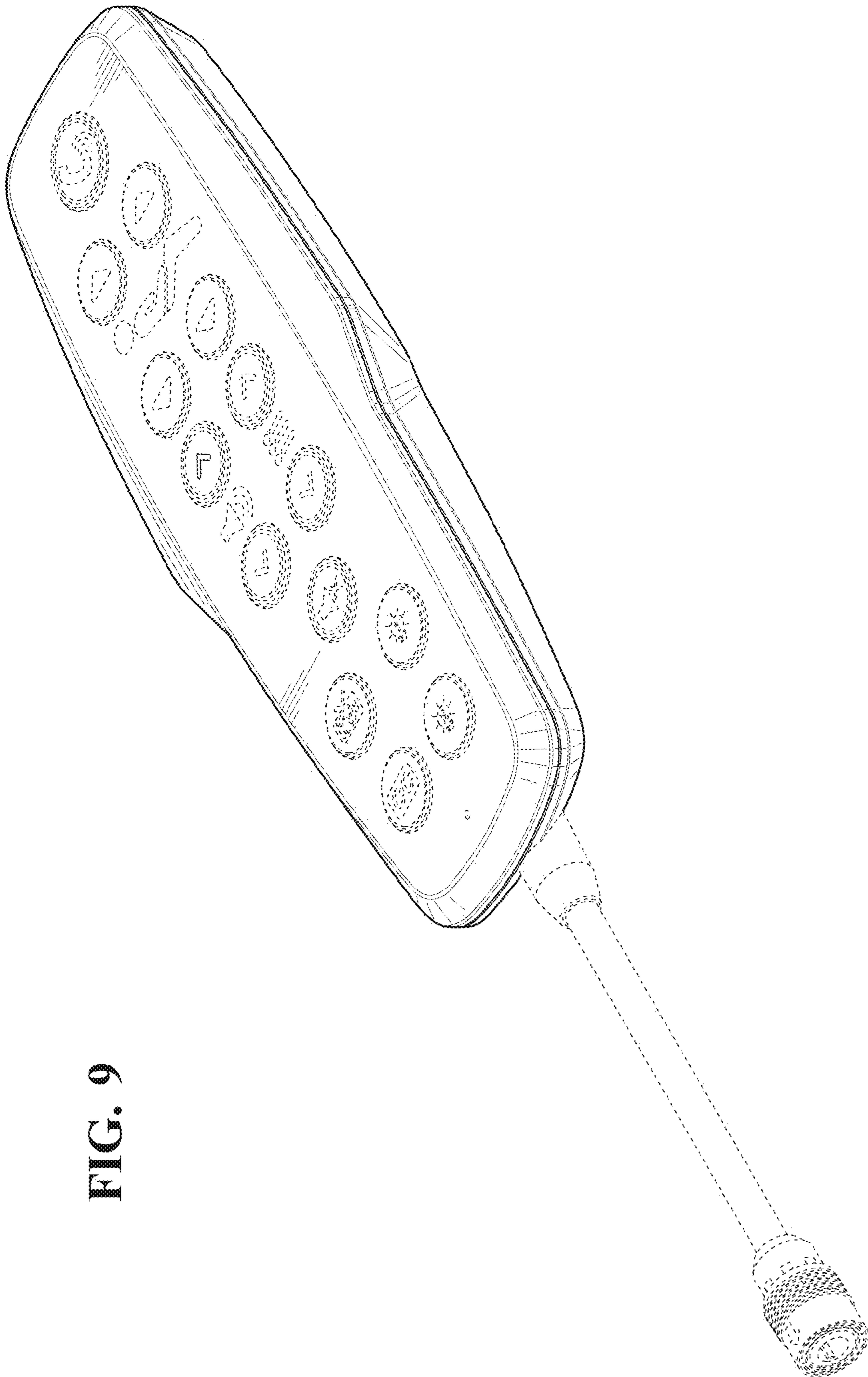
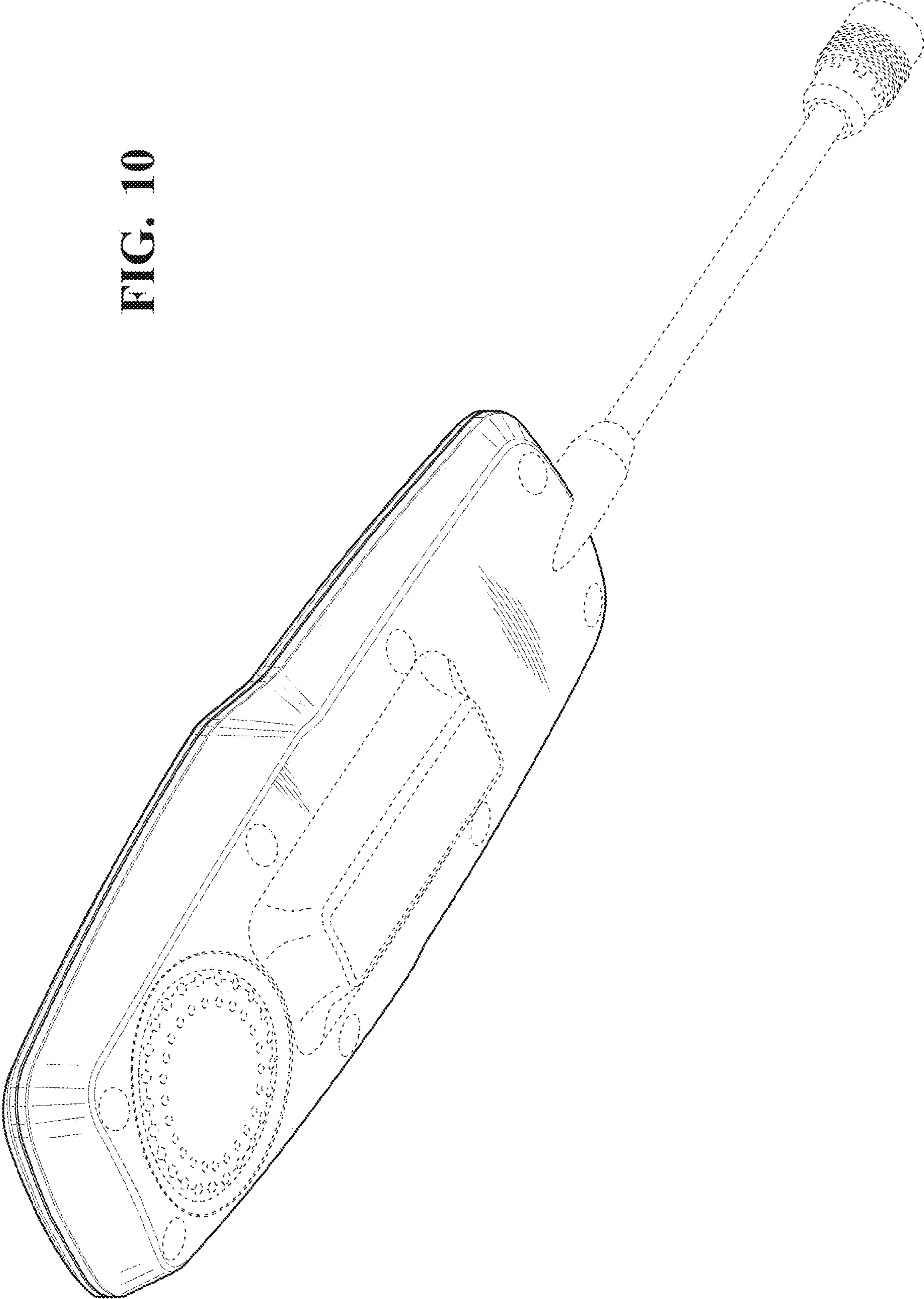


FIG. 9



FIG. 10



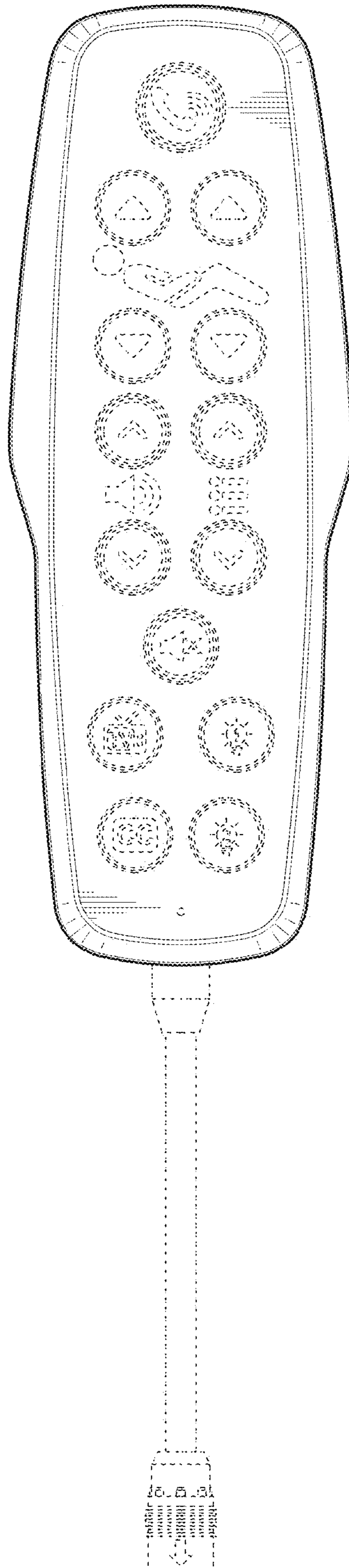


FIG. 11

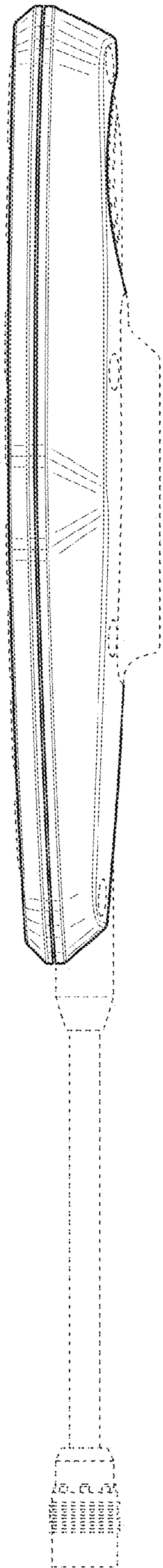


FIG. 12

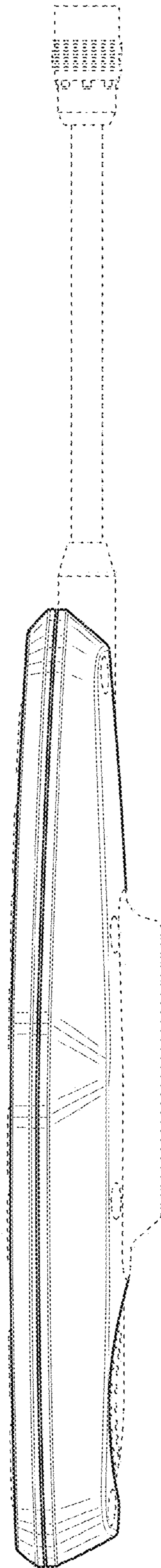


FIG. 13

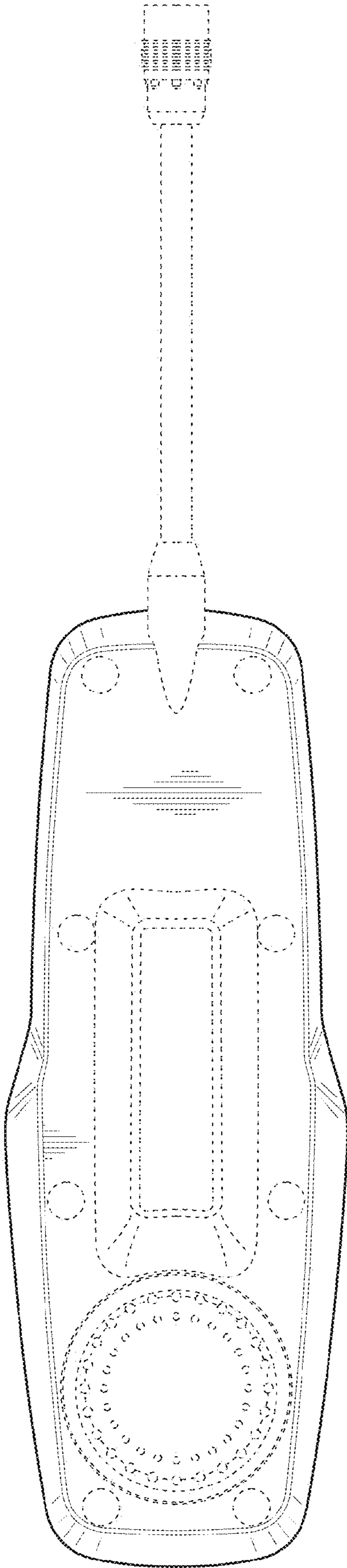


FIG. 14

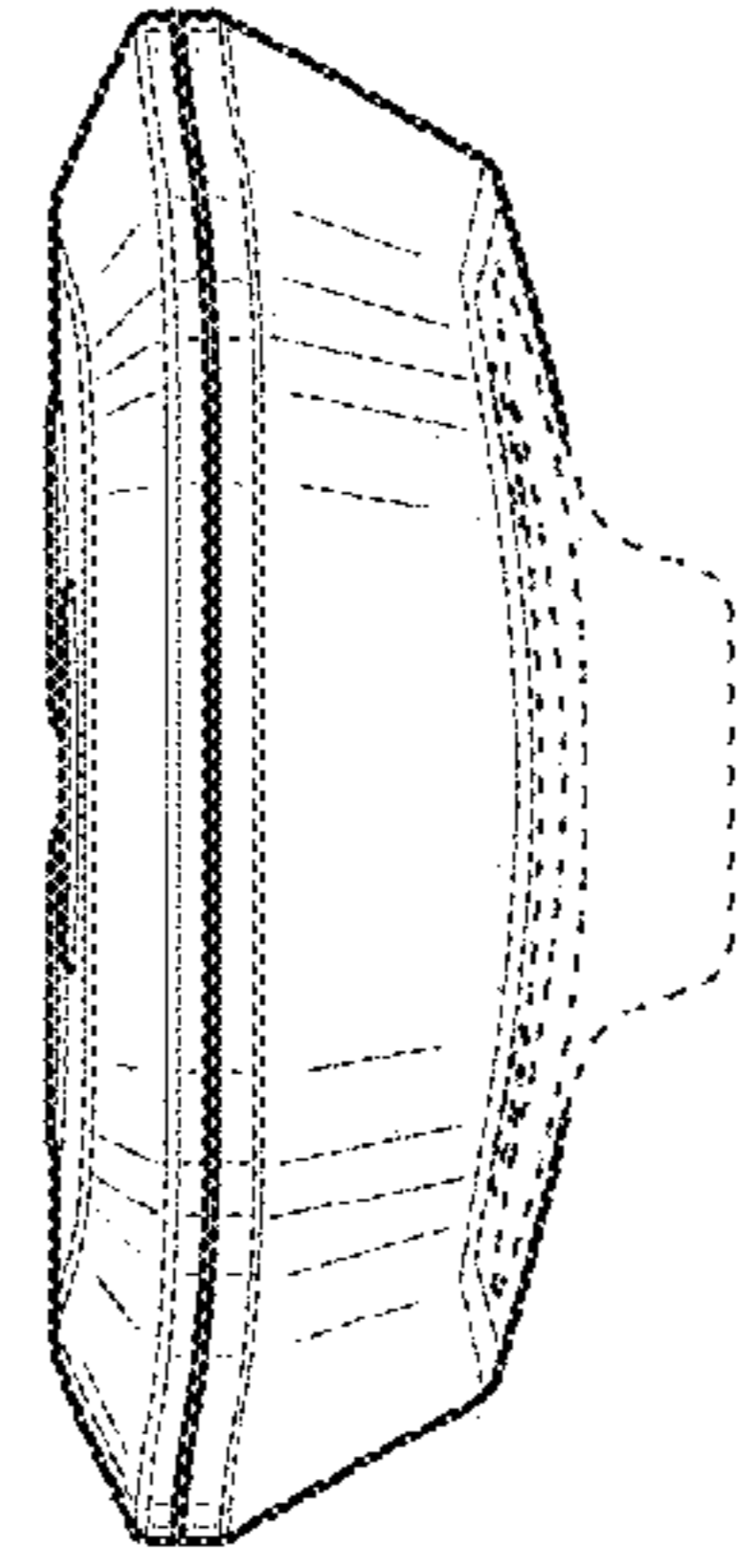


FIG. 16

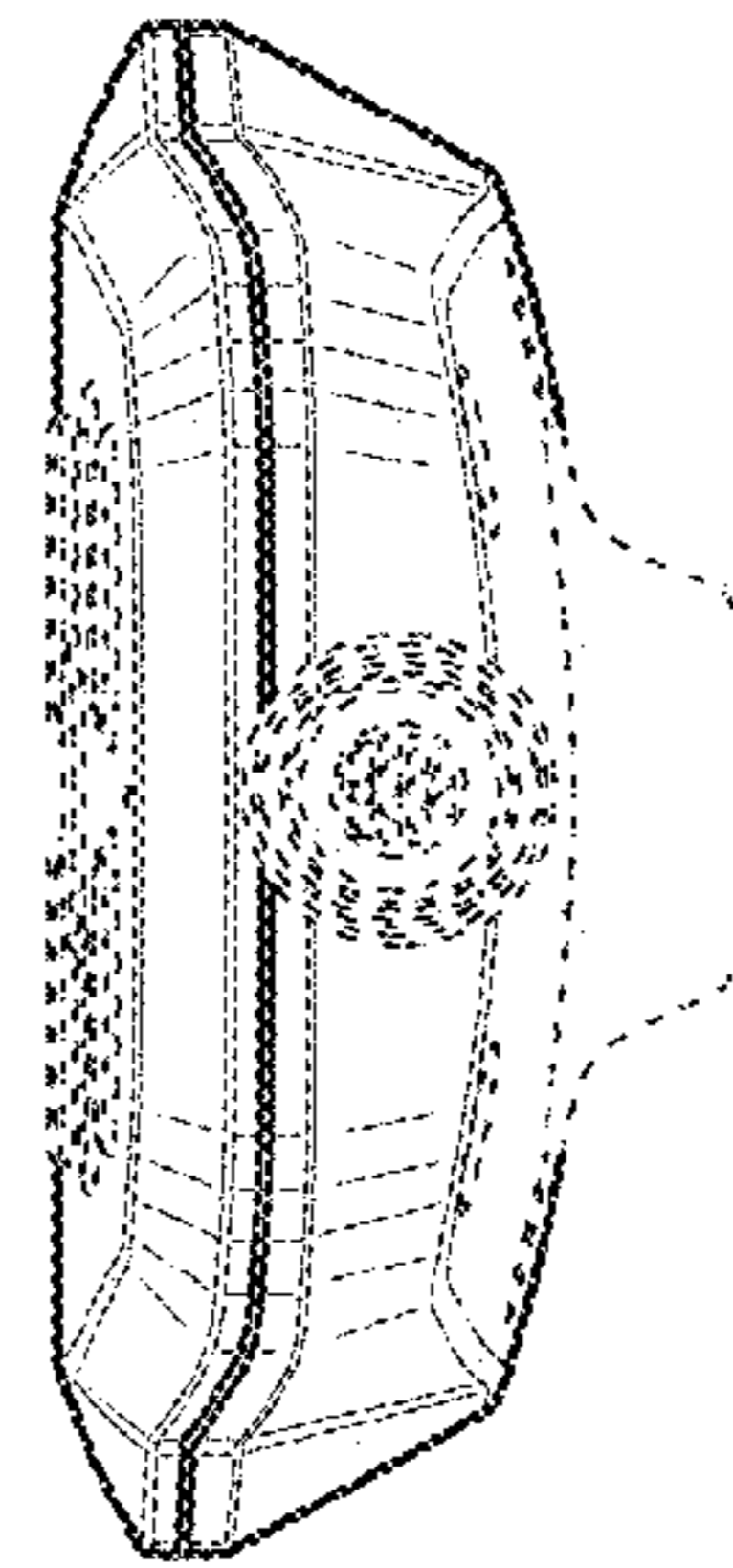


FIG. 15