



US00D939450S

(12) **United States Design Patent** (10) **Patent No.:** **US D939,450 S**
Asada et al. (45) **Date of Patent:** **** Dec. 28, 2021**

(54) **PRESSURE SWITCH**

(71) Applicant: **Saginomiya Seisakusho, Inc.**, Tokyo (JP)

(72) Inventors: **Yasuhiro Asada**, Saitama (JP);
Fumiaki Yuguchi, Saitama (JP);
Tomokazu Kurosawa, Saitama (JP);
Ryusuke Suzuki, Saitama (JP)

(73) Assignee: **Saginomiya Seisakusho, Inc.**, Tokyo (JP)

(**) Term: **15 Years**

(21) Appl. No.: **29/727,560**

(22) Filed: **Mar. 11, 2020**

(30) **Foreign Application Priority Data**

Sep. 12, 2019 (JP) 2019-020408
Sep. 12, 2019 (JP) 2019-020409
Sep. 12, 2019 (JP) 2019-020410

(51) **LOC (13) Cl.** **13-03**

(52) **U.S. Cl.**
USPC **D13/158**

(58) **Field of Classification Search**
USPC D13/123, 126, 158, 160, 173, 177, 184,
D13/199; D10/40, 85, 96

(Continued)

(56) **References Cited**

U.S. PATENT DOCUMENTS

3,042,770 A * 7/1962 Beeman H01H 35/2607
200/83 P
4,334,131 A * 6/1982 Cooper H01H 35/38
200/81.4

(Continued)

OTHER PUBLICATIONS

Alco Controls; Pressure Controls PS1/PS2 Series; Feb. 26, 2014; 6 pgs.; <https://climate.emerson.com/documents/ps1-2-pressure-controls-technical-bulletin-6-pages-en-gb-3842834.pdf>.*

Primary Examiner — Selina Sikder

(74) *Attorney, Agent, or Firm* — Quarles & Brady LLP

(57) **CLAIM**

The ornamental design for a pressure switch, as shown and described.

DESCRIPTION

FIG. 1 is a front elevational view of an ornamental design for a pressure switch;

FIG. 2 is a rear elevational view of the pressure switch of FIG. 1;

FIG. 3 is a right side elevational view of the pressure switch of FIG. 1;

FIG. 4 is a left side elevational view of the pressure switch of FIG. 1;

FIG. 5 is a top plan view of the pressure switch of FIG. 1;

FIG. 6 is a bottom plan view of the pressure switch of FIG. 1;

FIG. 7 is a perspective view of a top, front, and right side of the pressure switch of FIG. 1;

FIG. 8 is a front elevational view of another ornamental design for a pressure switch;

FIG. 9 is a rear elevational view of the pressure switch of FIG. 8;

FIG. 10 is a right side elevational view of the pressure switch of FIG. 8;

FIG. 11 is a left side elevational view of the pressure switch of FIG. 8;

FIG. 12 is a top plan view of the pressure switch of FIG. 8;

FIG. 13 is a bottom plan view of the pressure switch of FIG. 8;

FIG. 14 is a perspective view of a top, front, and right side of the pressure switch of FIG. 8;

FIG. 15 is a front elevational view of yet another ornamental design for a pressure switch;

FIG. 16 is a rear elevational view of the pressure switch of FIG. 15;

FIG. 17 is a right side elevational view of the pressure switch of FIG. 15;

FIG. 18 is a left side elevational view of the pressure switch of FIG. 15;

FIG. 19 is a top plan view of the pressure switch of FIG. 15;

(Continued)

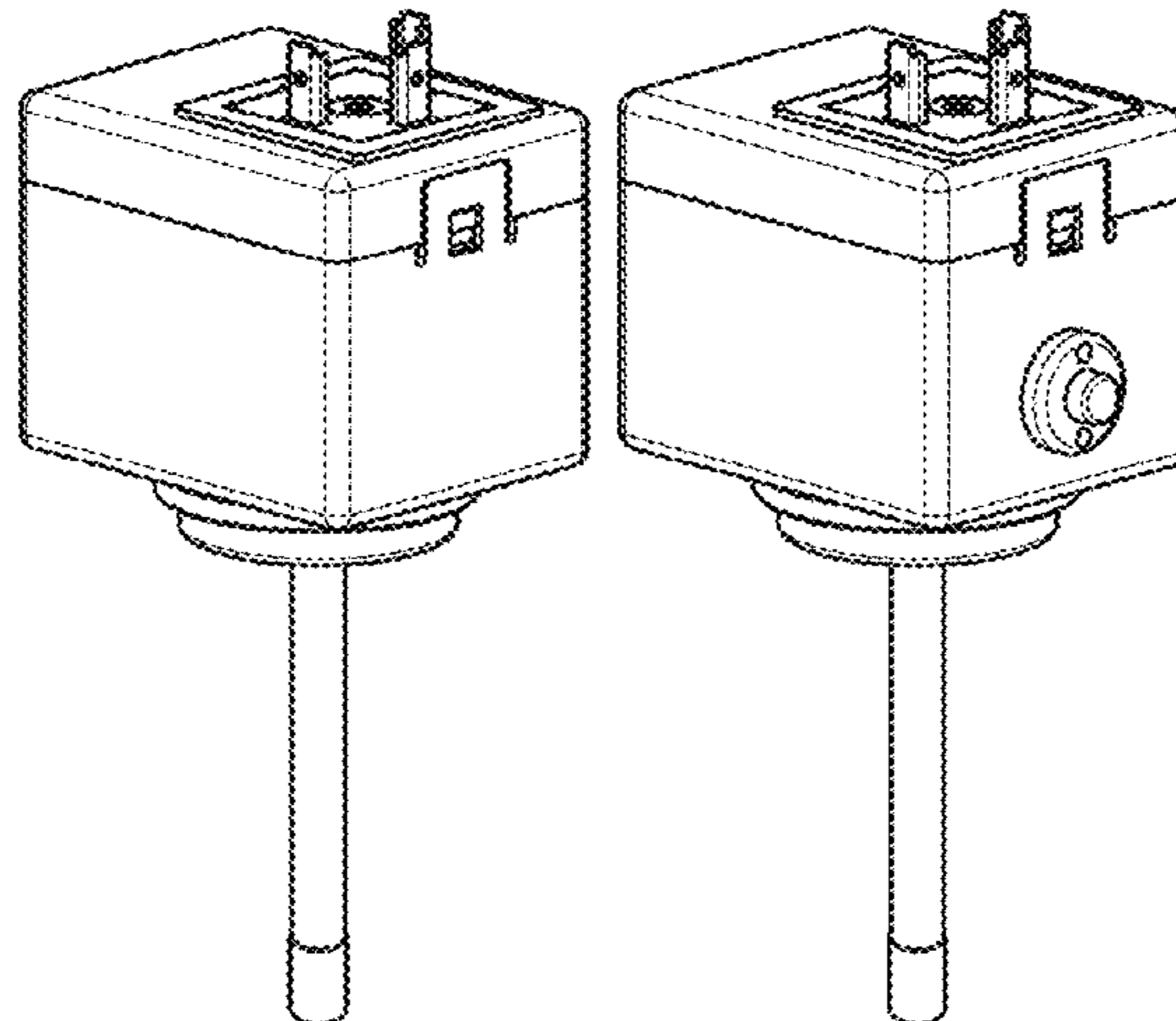


FIG. 20 is a bottom plan view of the pressure switch of FIG. 15; and,
 FIG. 21 is a perspective view of a top, front, and right side of the pressure switch of FIG. 15.

1 Claim, 12 Drawing Sheets

(58) **Field of Classification Search**

CPC H01H 35/00; H01H 35/24; H01H 35/26;
 H01H 35/38; H01H 35/40
 See application file for complete search history.

(56)

References Cited

U.S. PATENT DOCUMENTS

4,626,636 A * 12/1986 Hickman H01H 35/2628
 200/308
 D297,006 S * 8/1988 Walters D13/158
 4,868,356 A * 9/1989 Lindsey H01H 9/08
 200/83 P
 5,124,516 A * 6/1992 Liu G01L 19/12
 200/83 R
 D373,735 S * 9/1996 Kurisaki D10/83
 D373,736 S * 9/1996 Kurisaki D10/83
 D373,737 S * 9/1996 Kurisaki D10/83

D400,456 S * 11/1998 Inoue D10/85
 D437,295 S * 2/2001 Gunji D13/158
 D497,145 S * 10/2004 Seo D13/158
 7,112,753 B1 * 9/2006 Lee H01H 35/34
 200/81 R
 D557,215 S * 12/2007 Kurisaki D13/158
 D559,195 S * 1/2008 Tamaoki D13/158
 D669,039 S * 10/2012 Gunji D13/171
 9,903,490 B2 * 2/2018 Matsuyama F16K 37/005
 D860,840 S * 9/2019 Takimoto D10/85
 D861,524 S * 10/2019 Takimoto D10/85
 D870,677 S * 12/2019 Gupta D13/158
 D871,353 S * 12/2019 Gupta D13/158
 D924,177 S * 7/2021 Chandler, Jr. D13/158
 2008/0291035 A1 * 11/2008 Kawakami G01L 19/003
 340/626
 2009/0194399 A1 * 8/2009 Lin H01H 35/24
 200/302.1
 2011/0023616 A1 * 2/2011 Kiyama H01H 35/2614
 73/700
 2011/0073420 A1 * 3/2011 Nagel B60T 17/22
 188/152
 2011/0174602 A1 * 7/2011 Palmer H01H 35/34
 200/5 A
 2013/0125664 A1 * 5/2013 Harper, Jr. G01F 15/063
 73/861.08
 2017/0025237 A1 * 1/2017 Nagel H01H 35/38

* cited by examiner

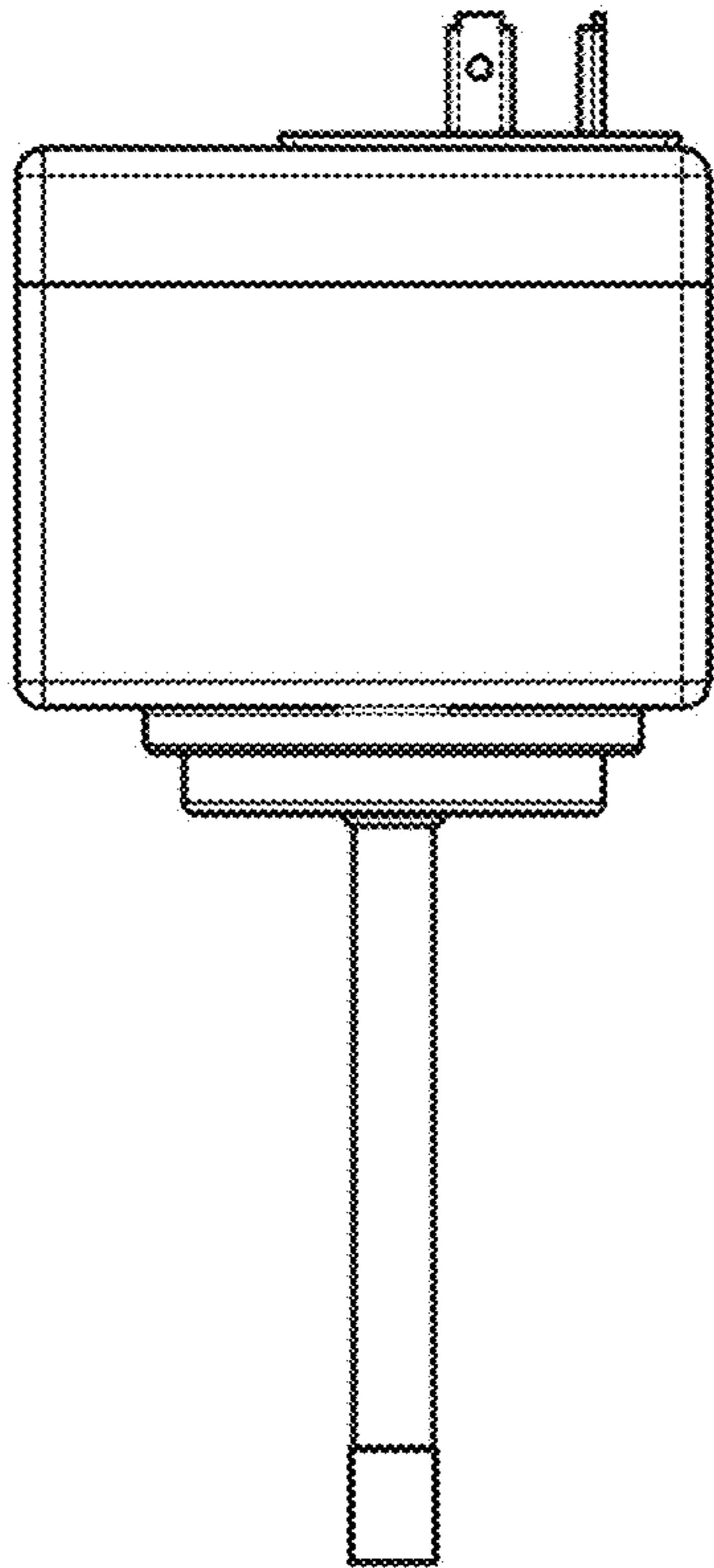


FIG. 1

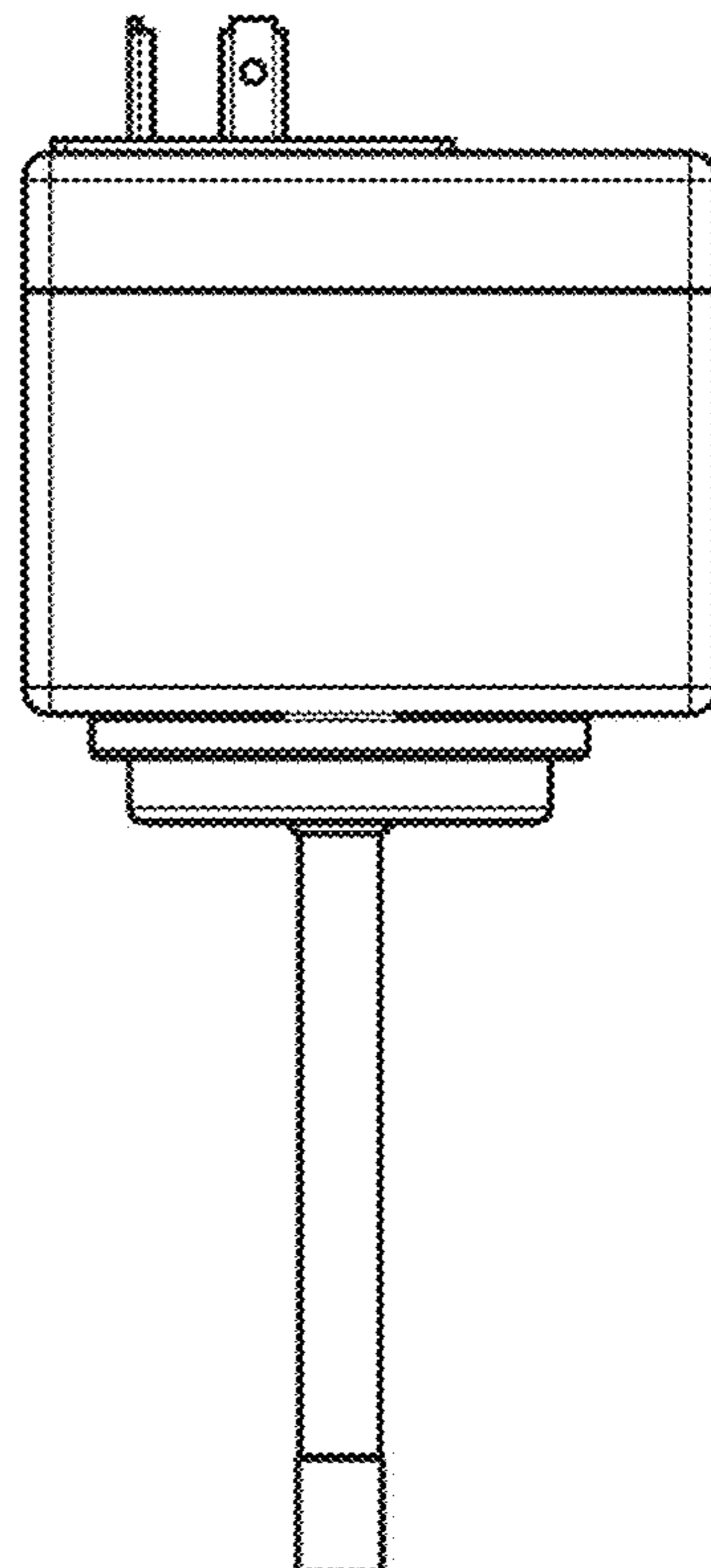


FIG. 2

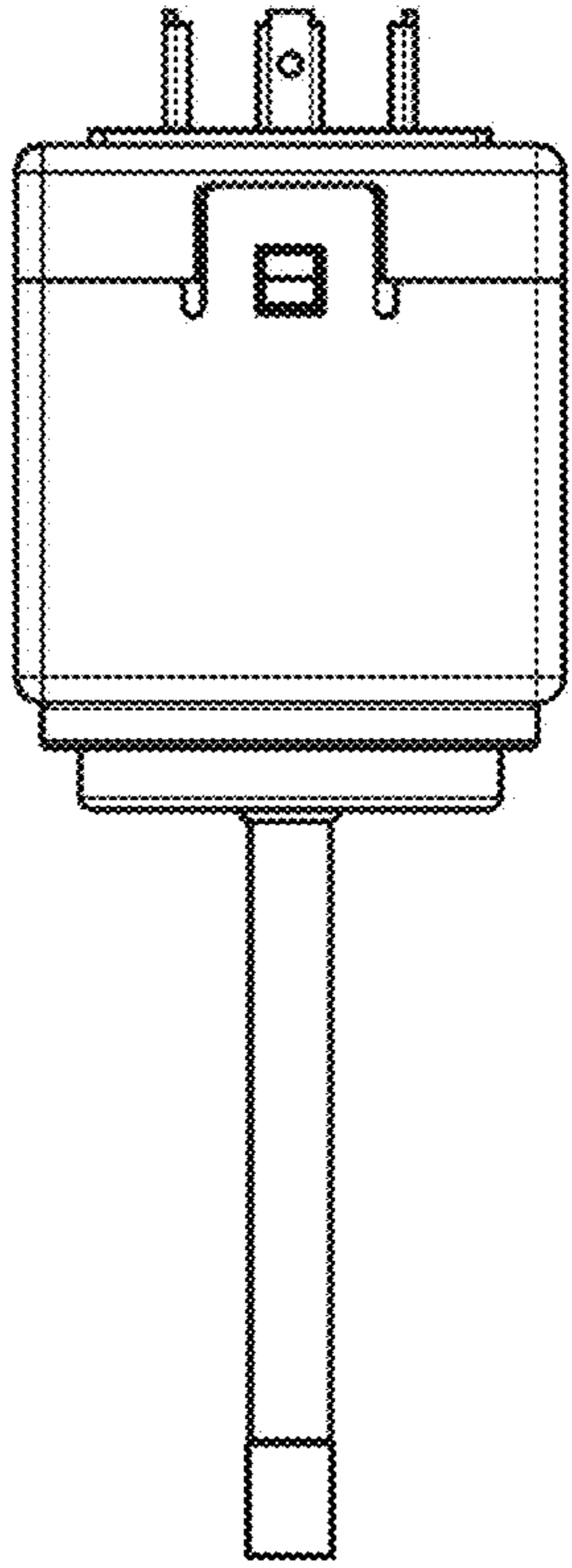


FIG. 3

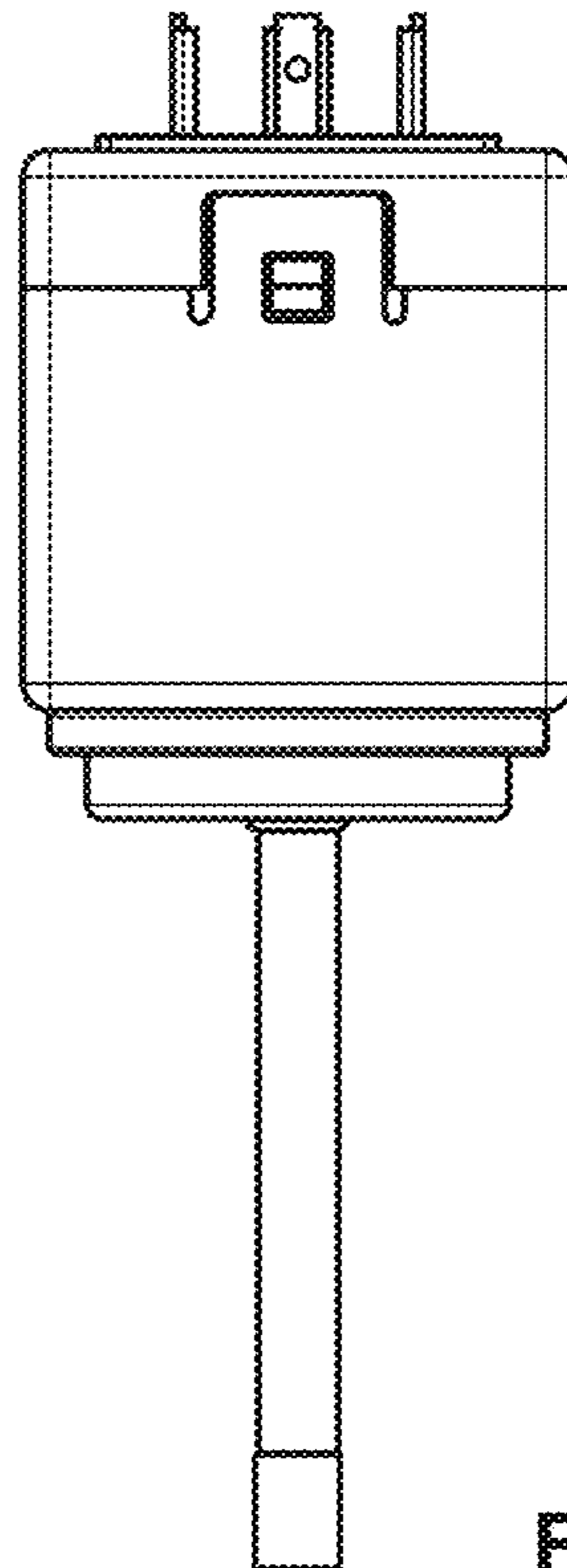


FIG. 4

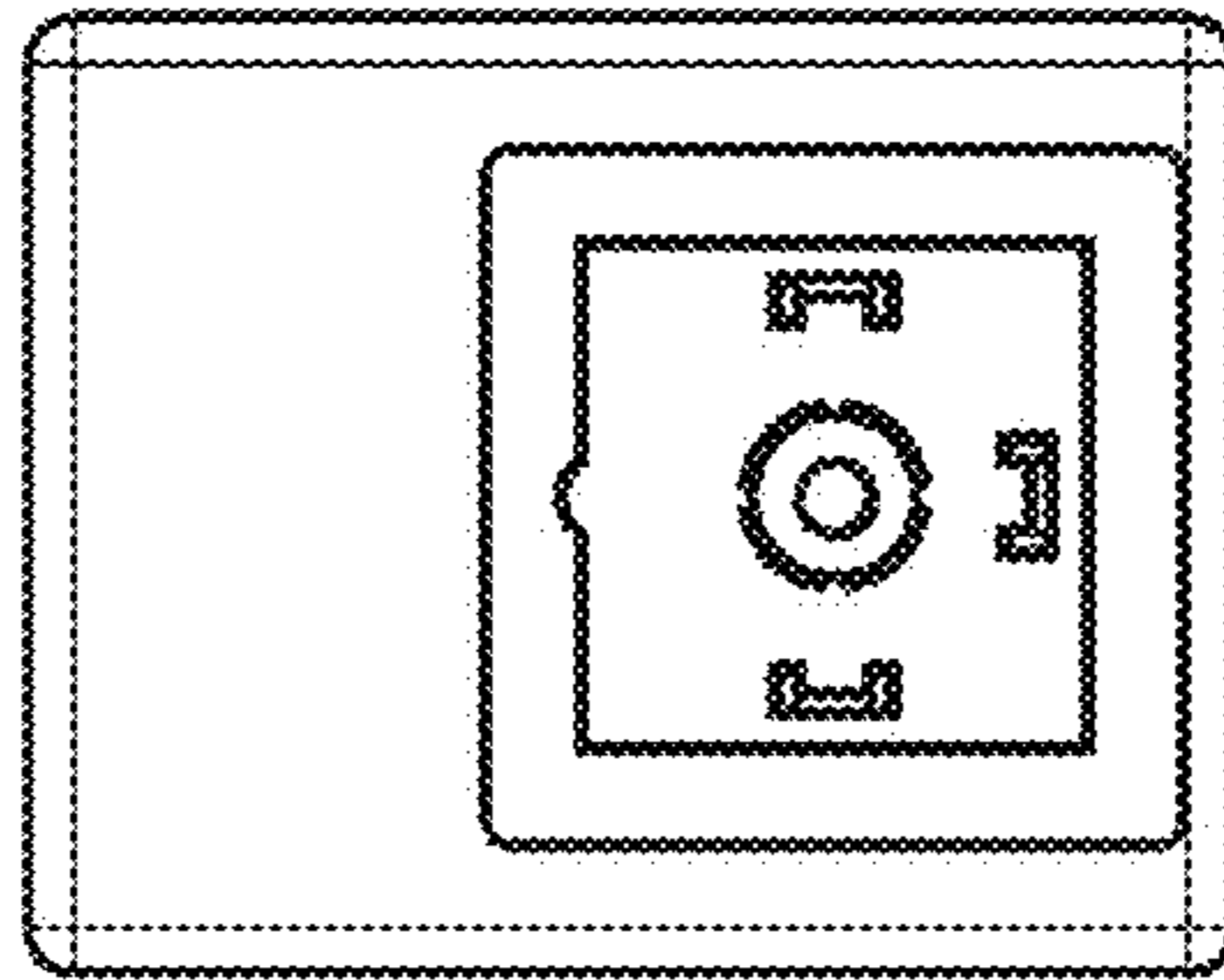


FIG. 5

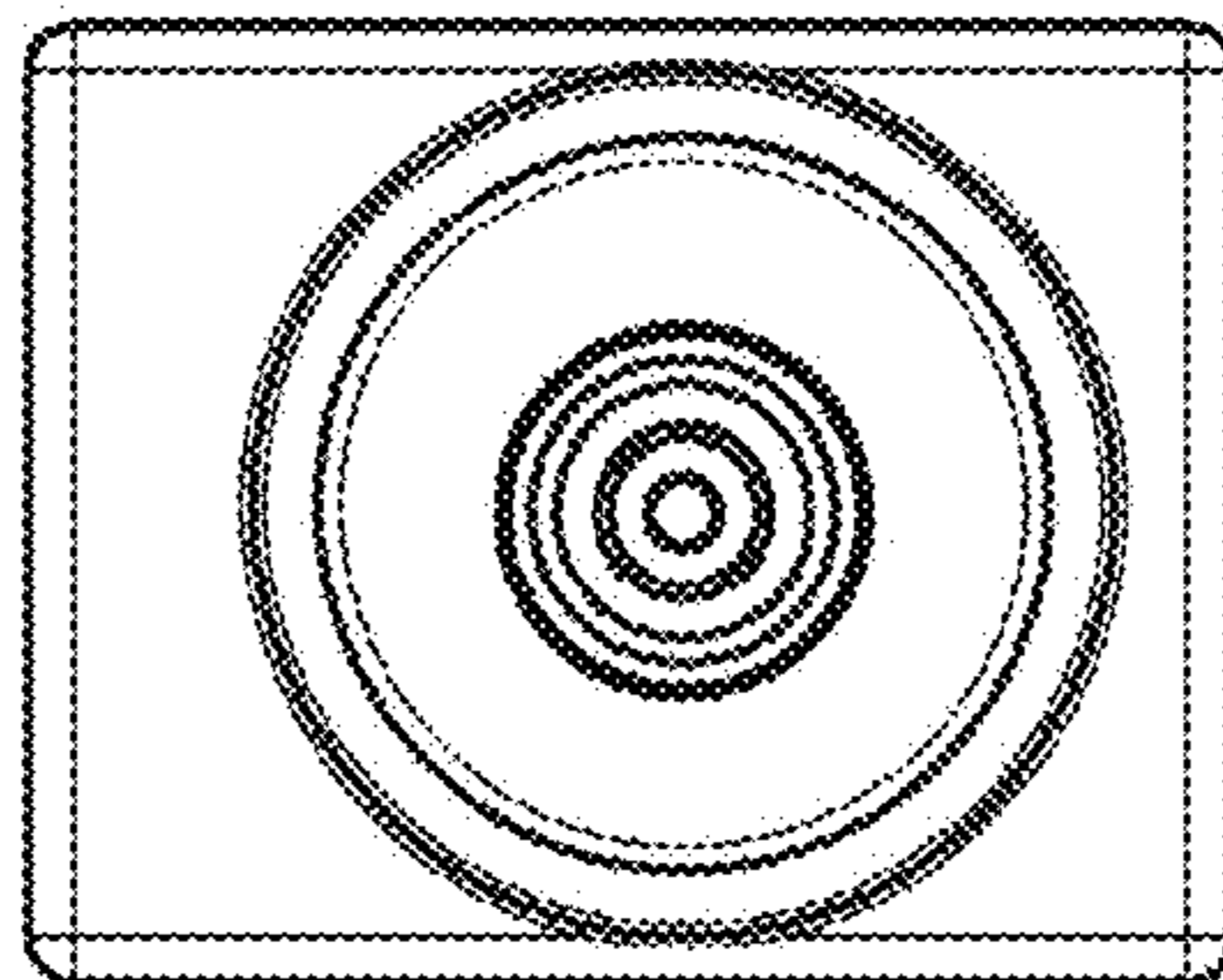


FIG. 6

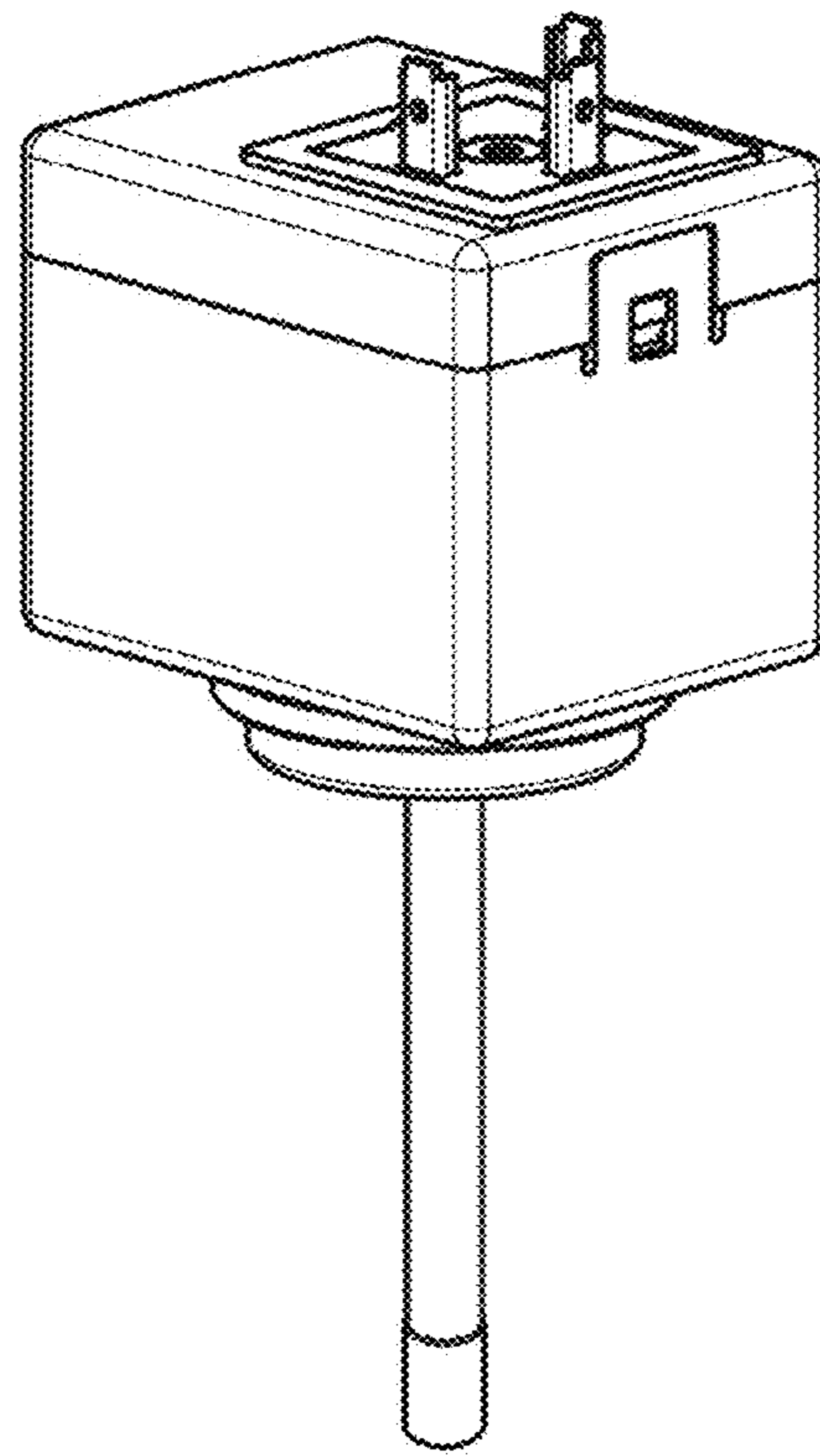


FIG. 7

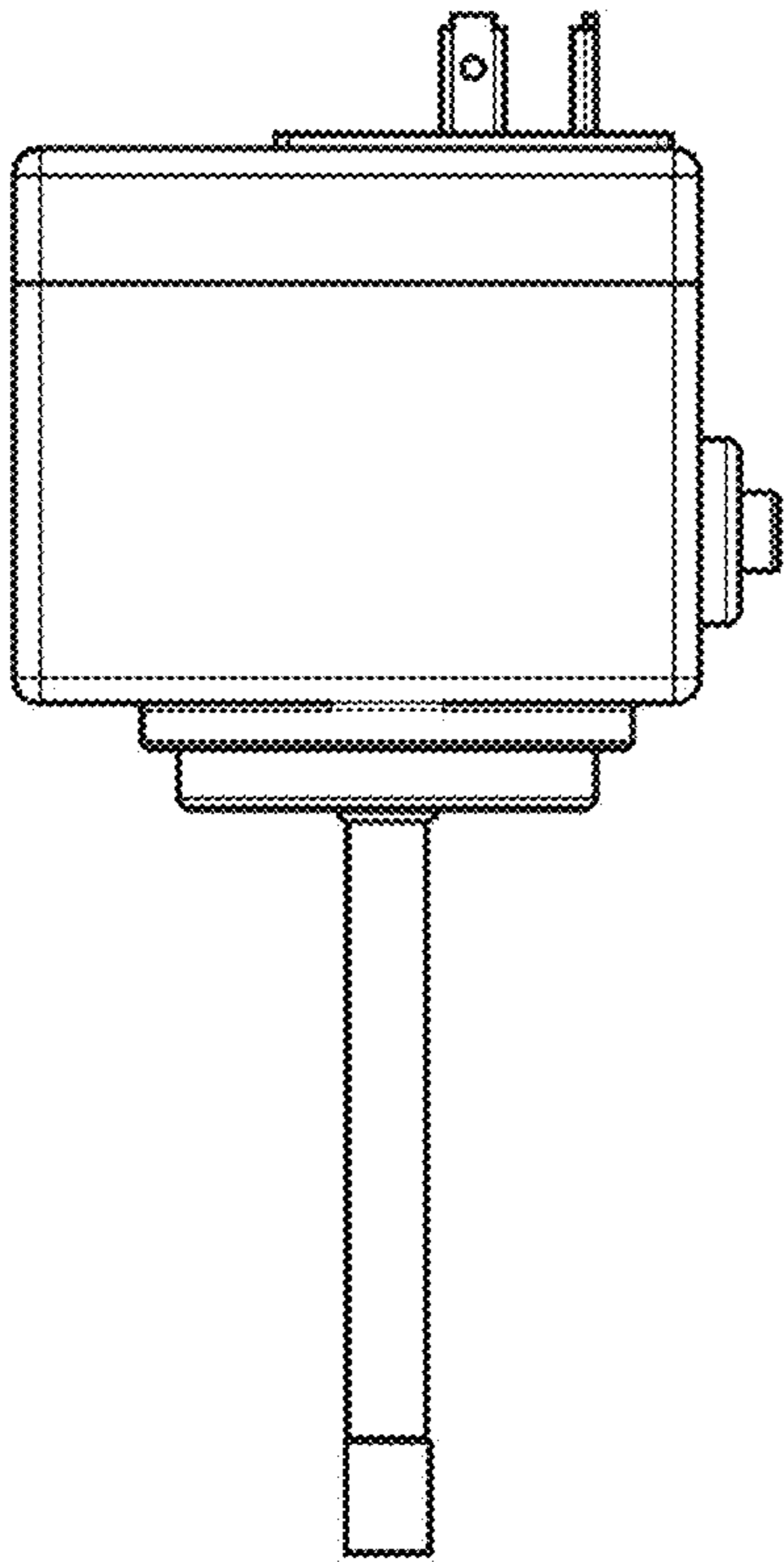


FIG. 8

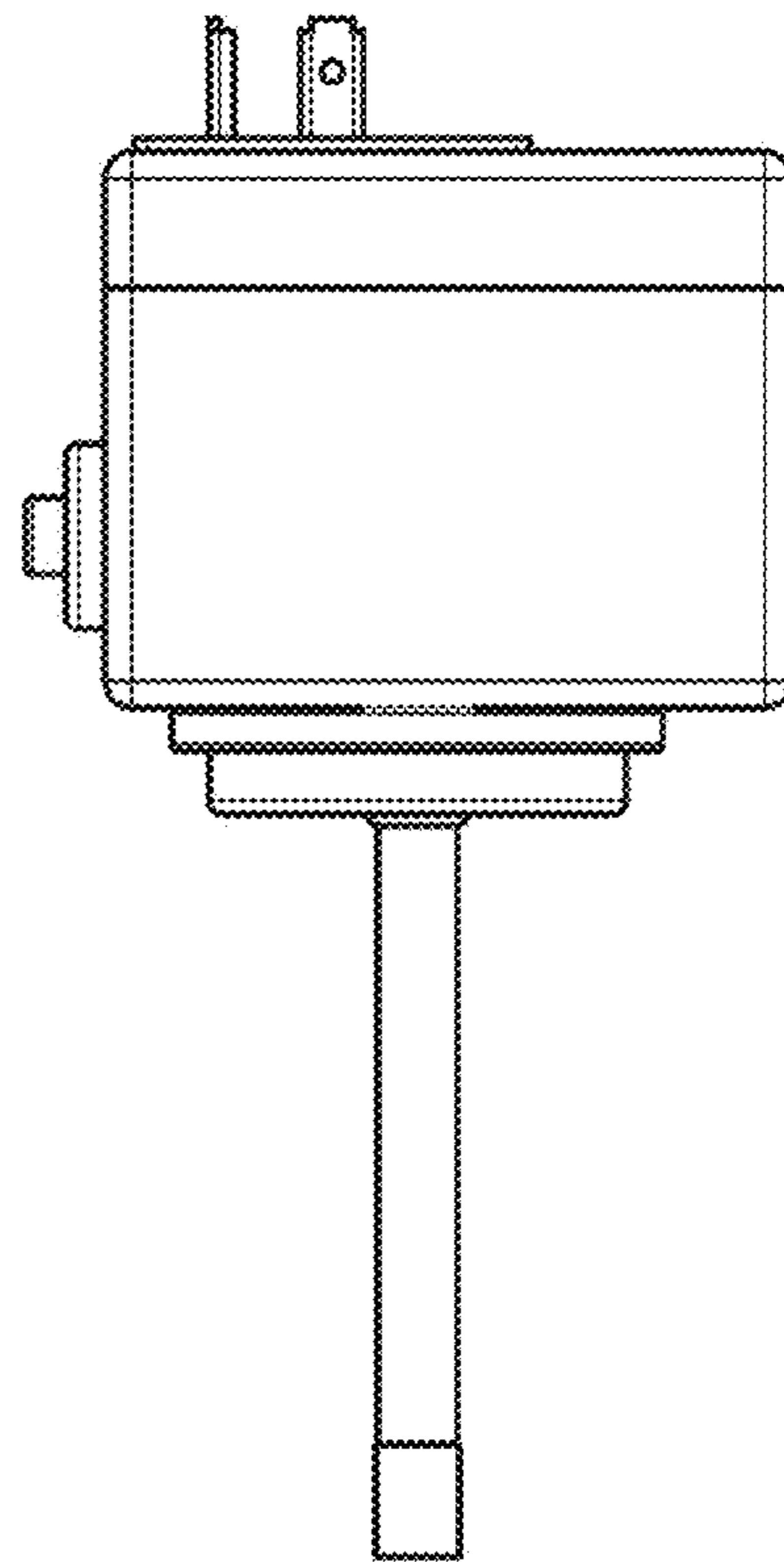


FIG. 9

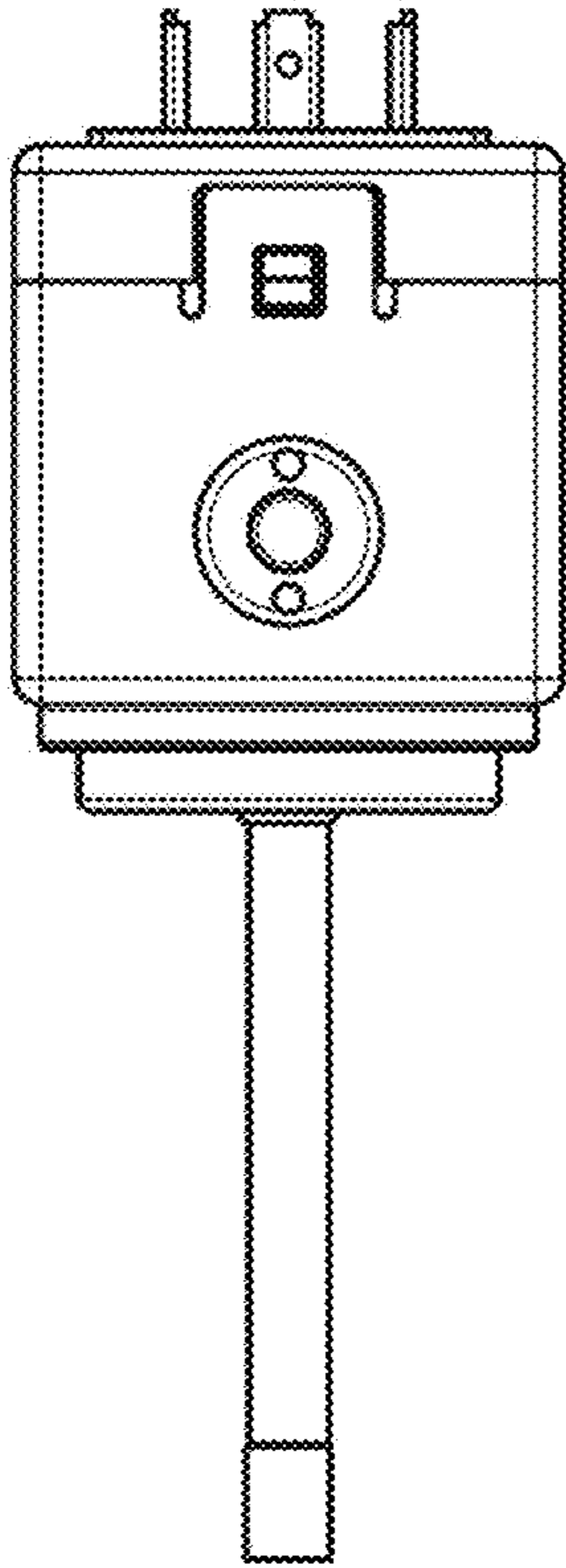


FIG. 10

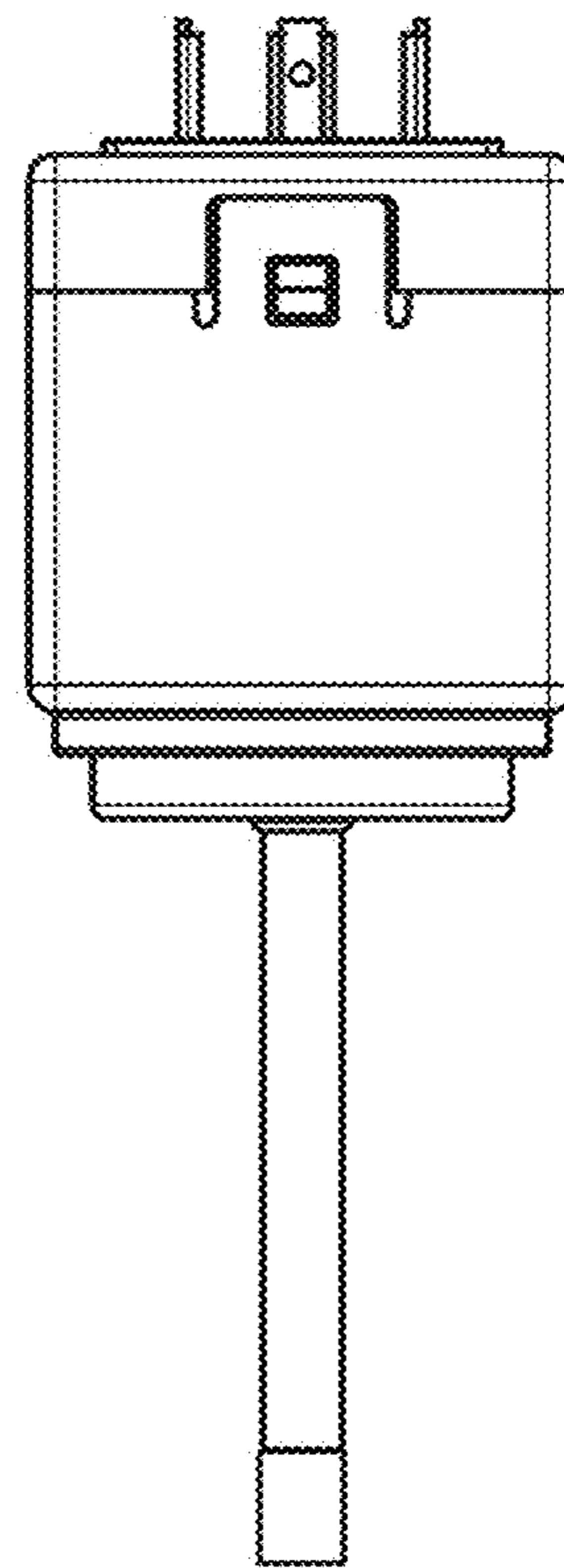


FIG. 11

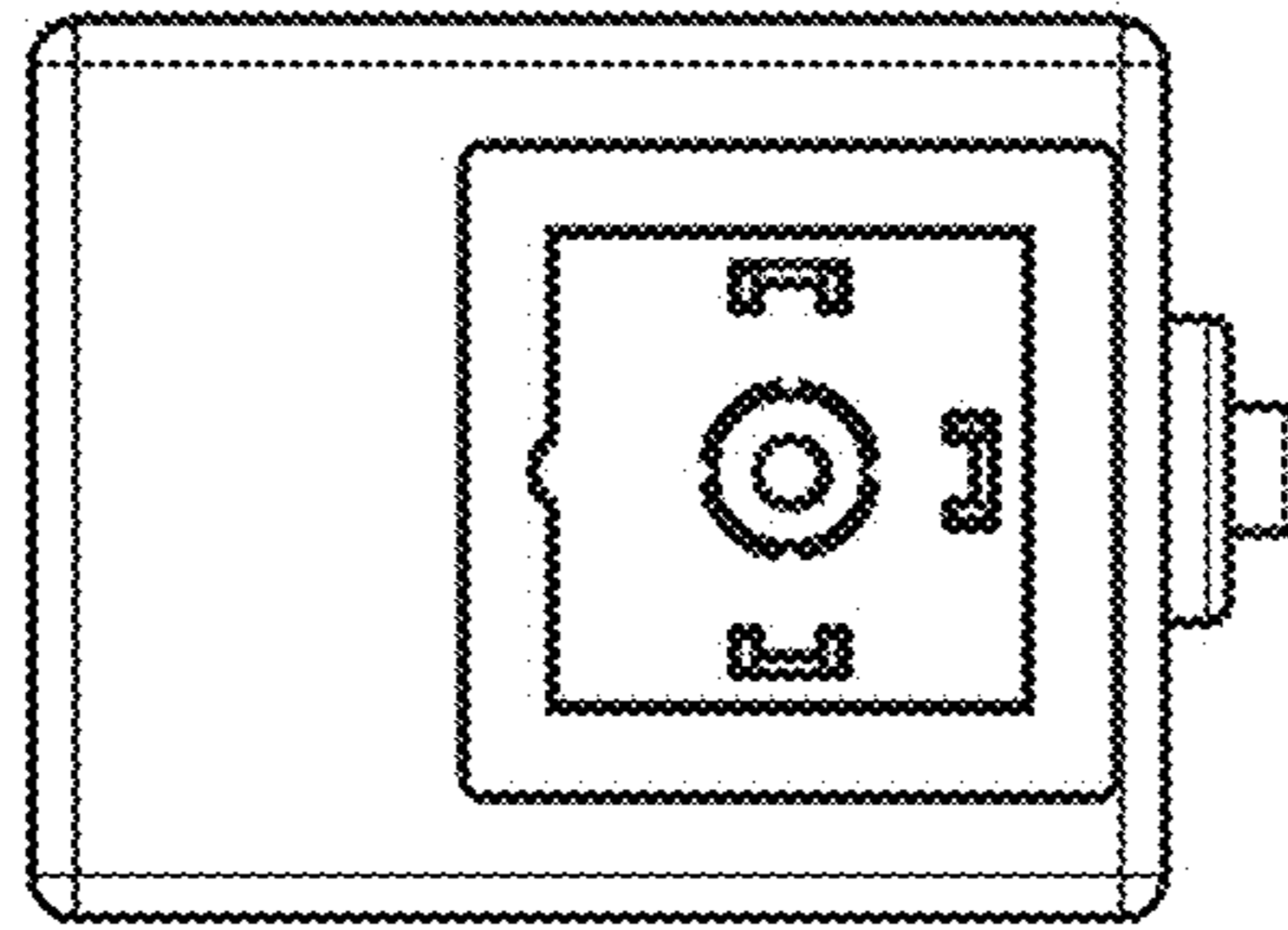


FIG. 12

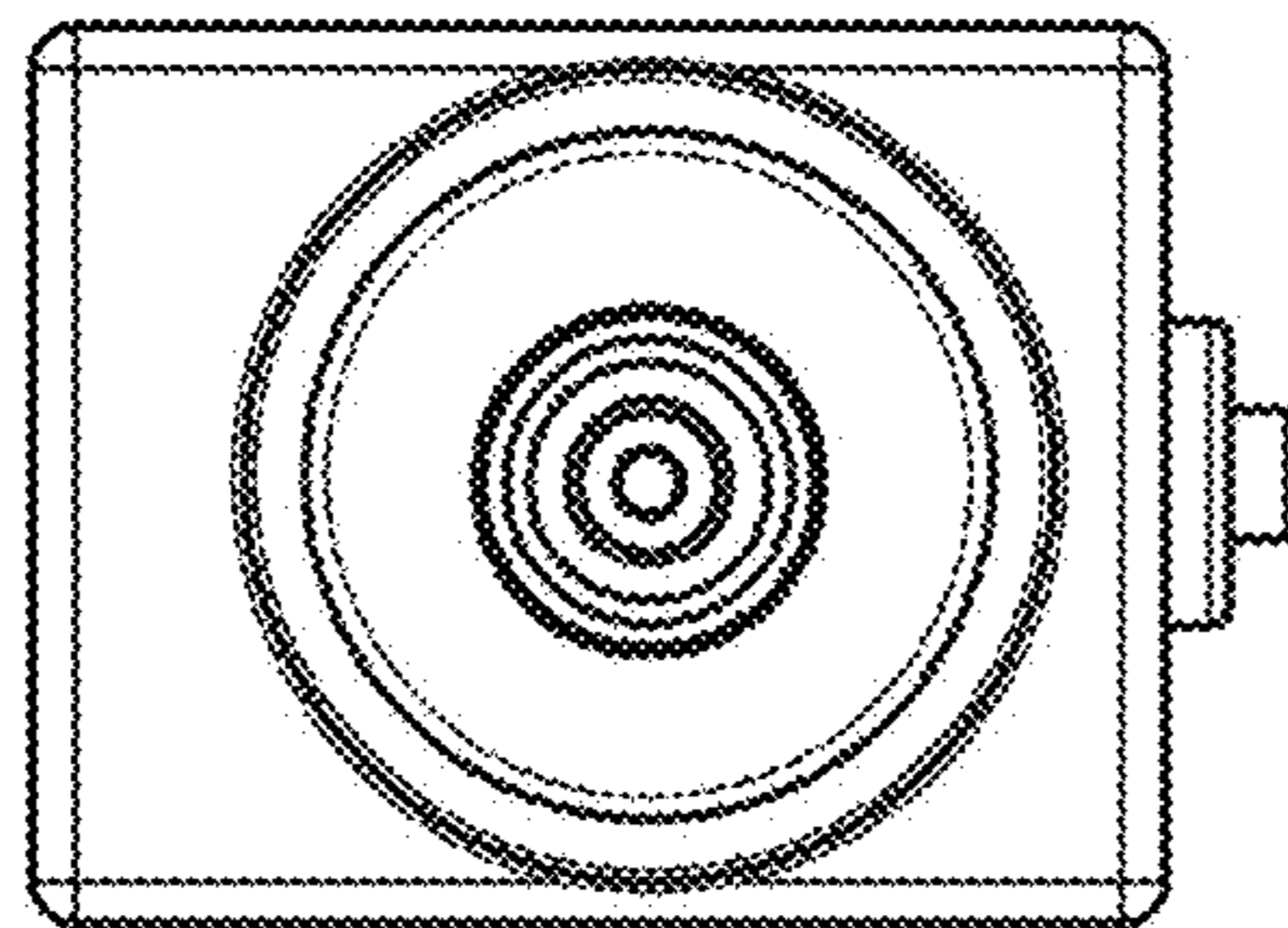


FIG. 13

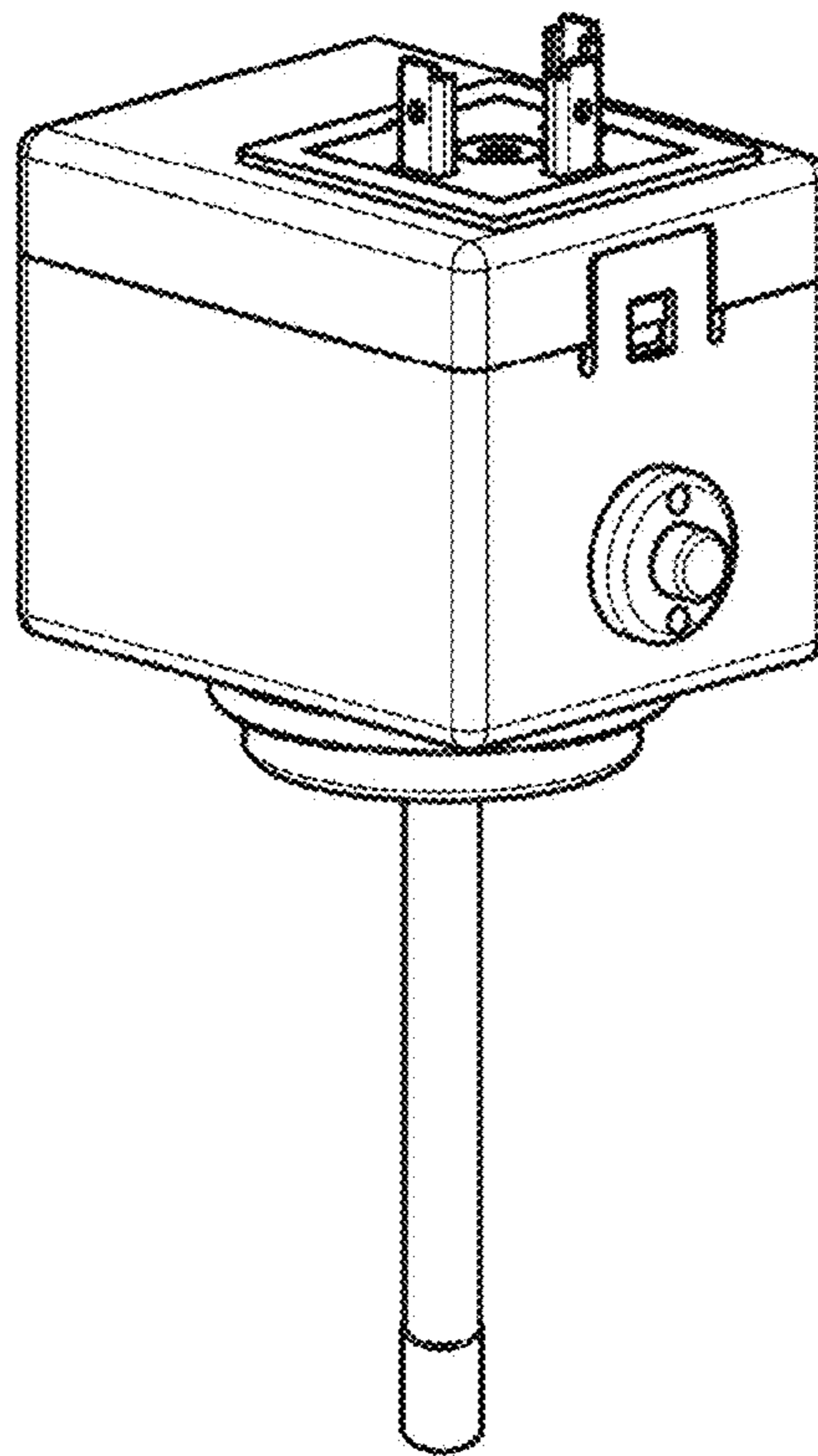


FIG. 14

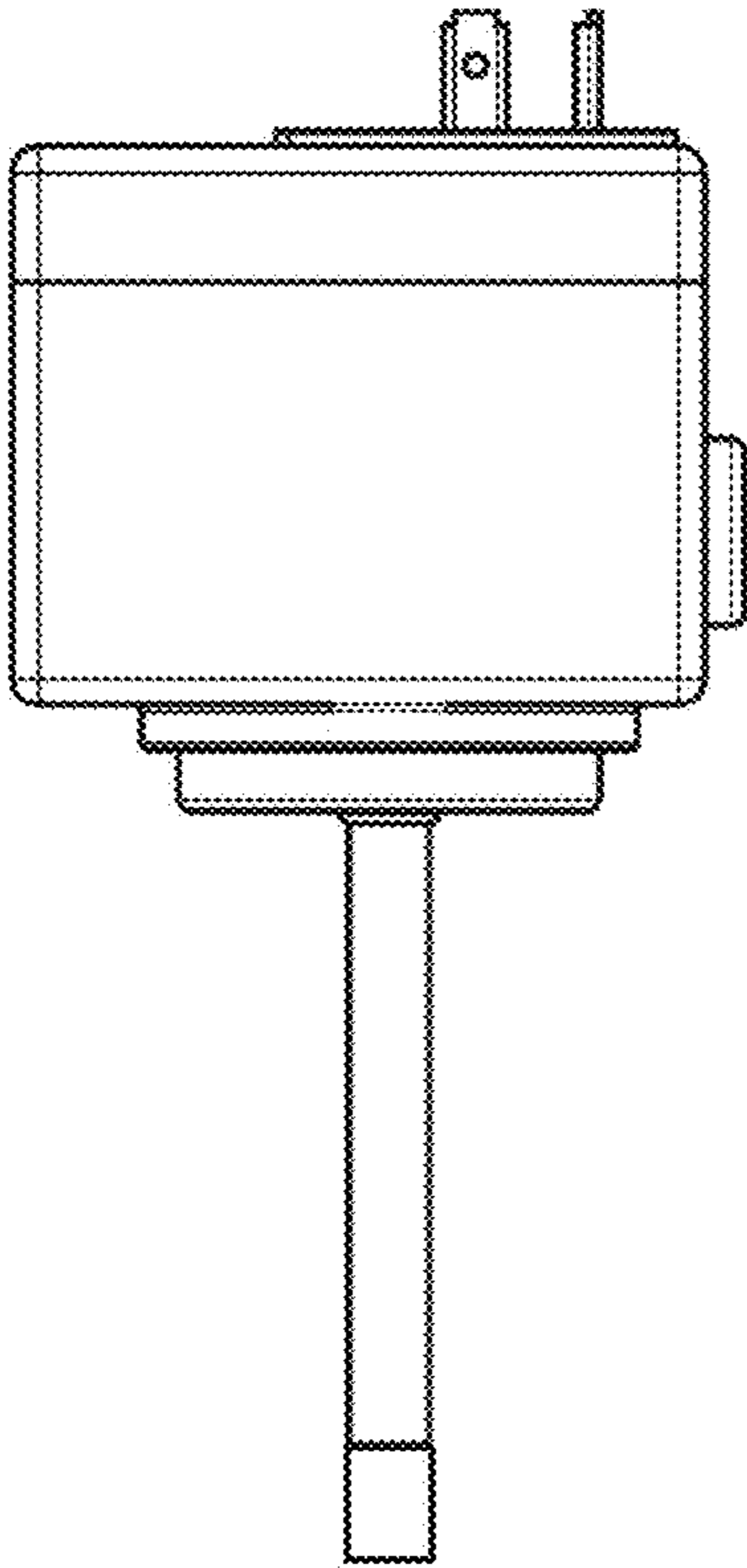


FIG. 15

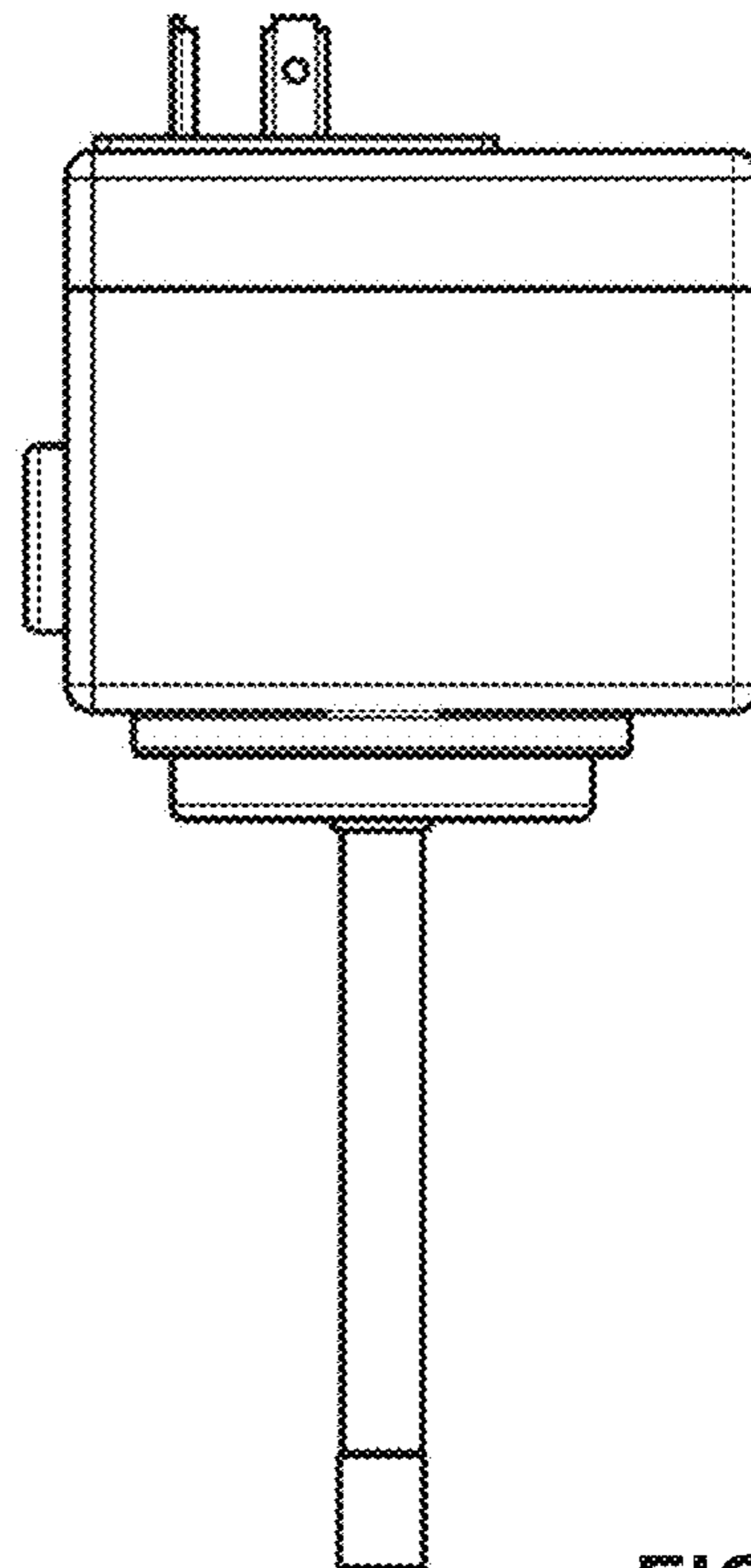


FIG. 16

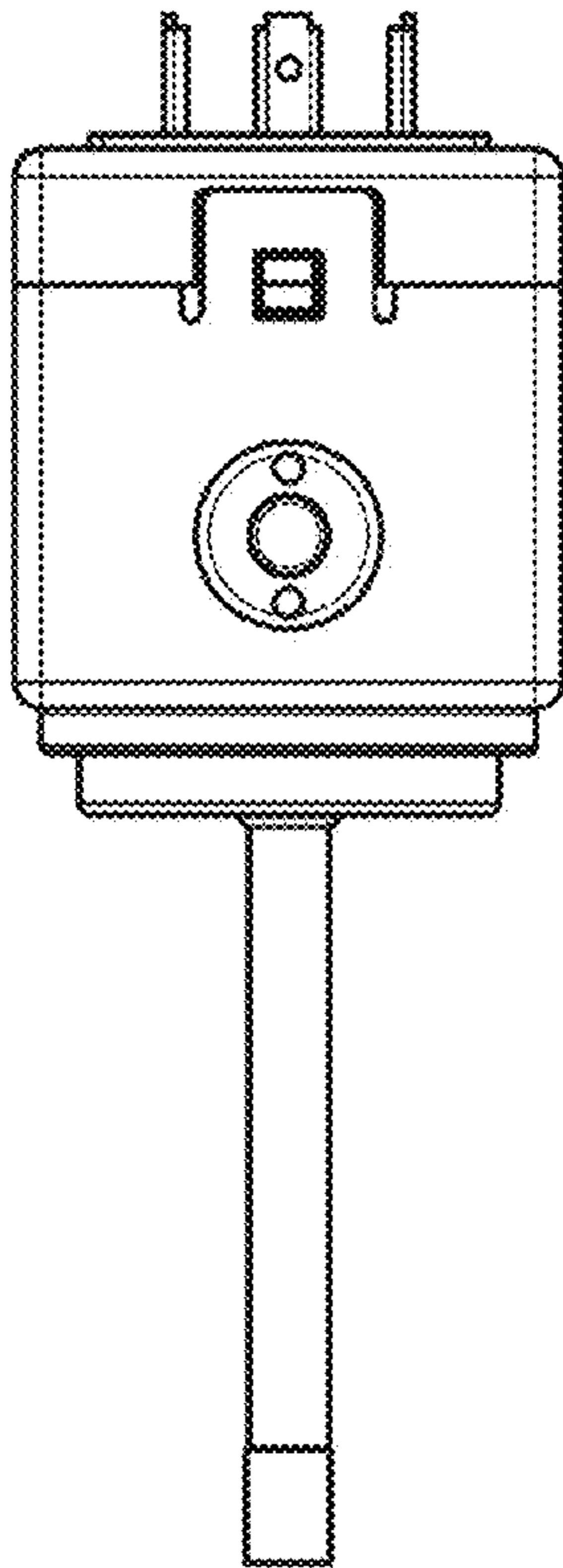


FIG. 17

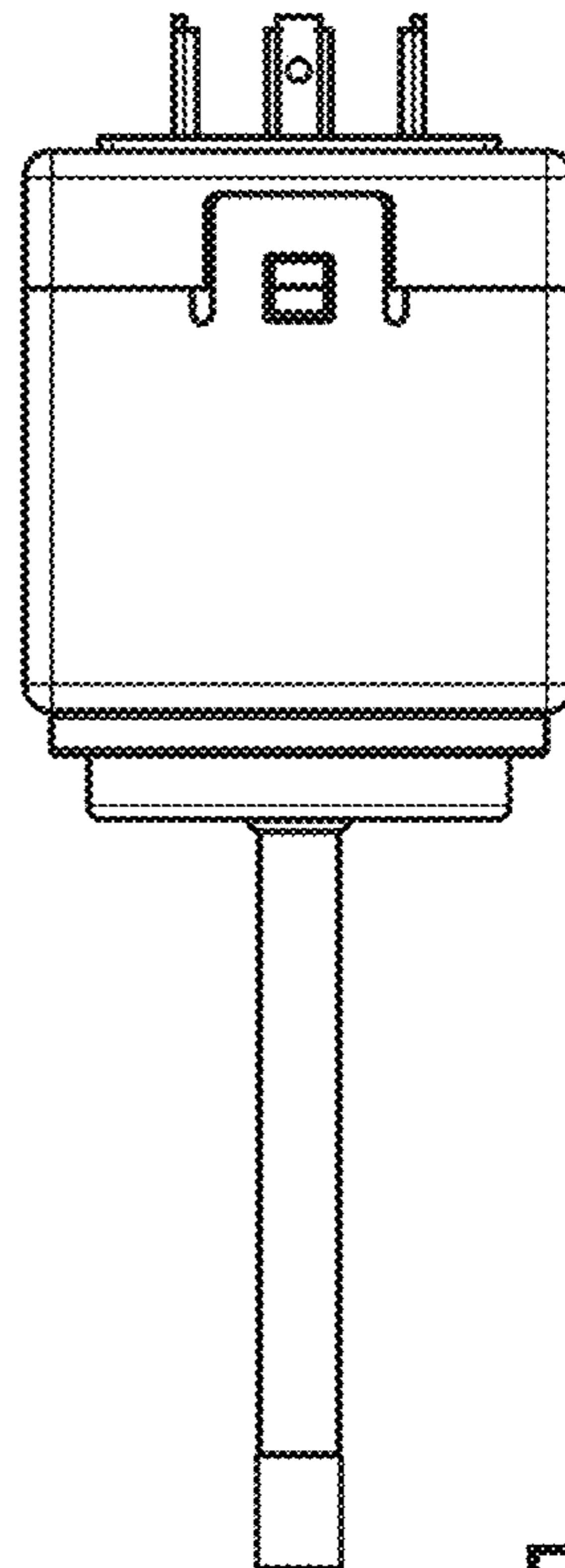


FIG. 18

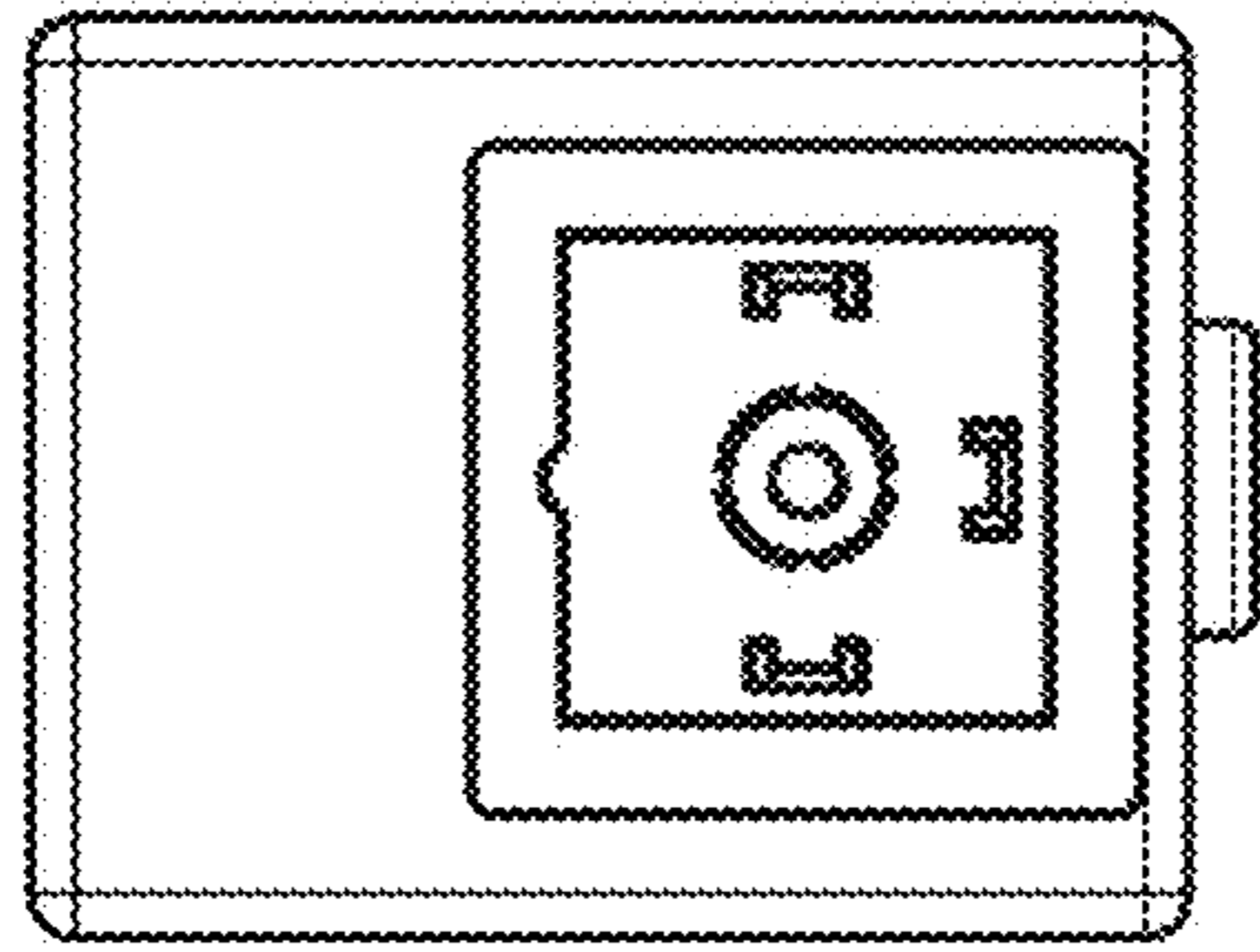


FIG. 19

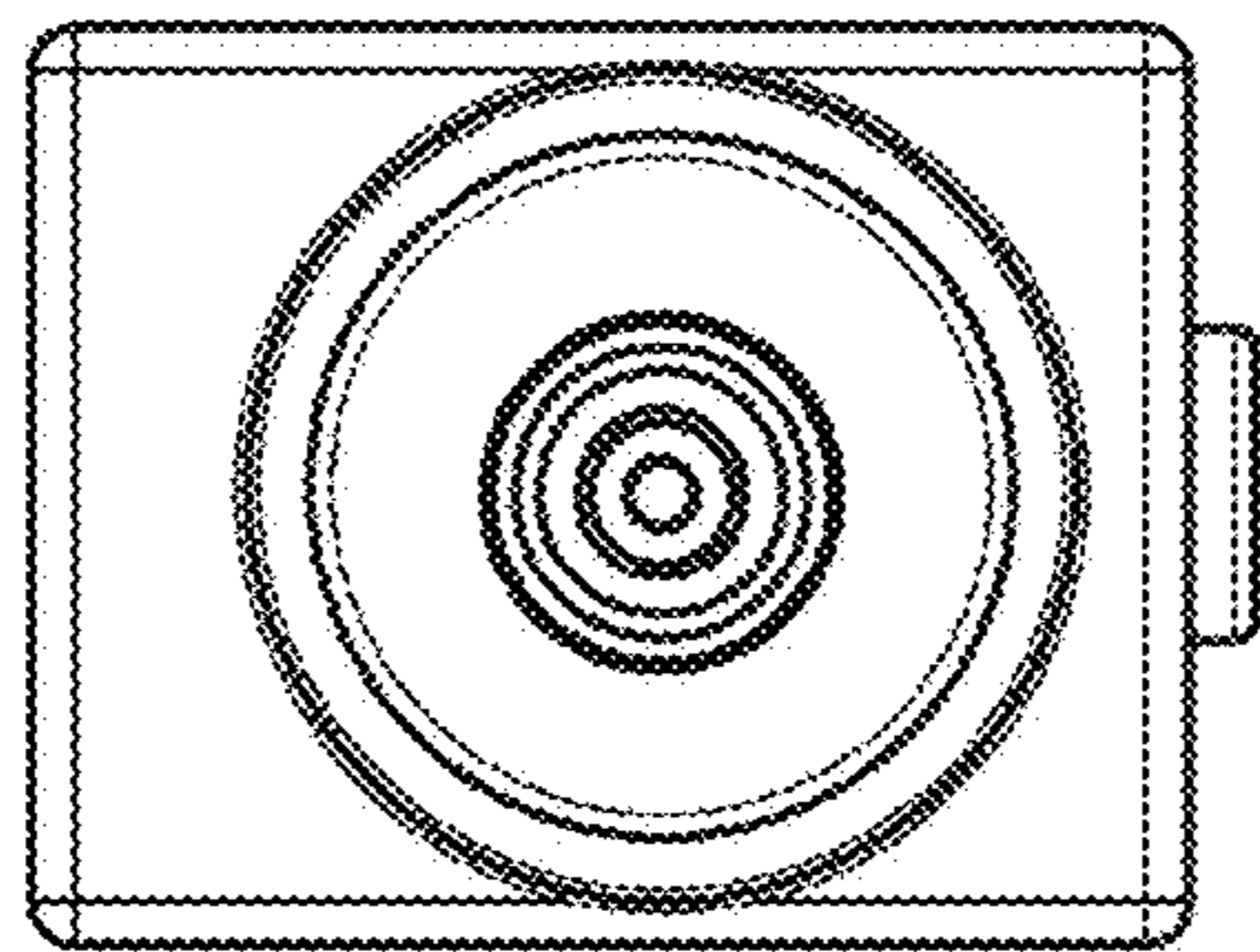


FIG. 20

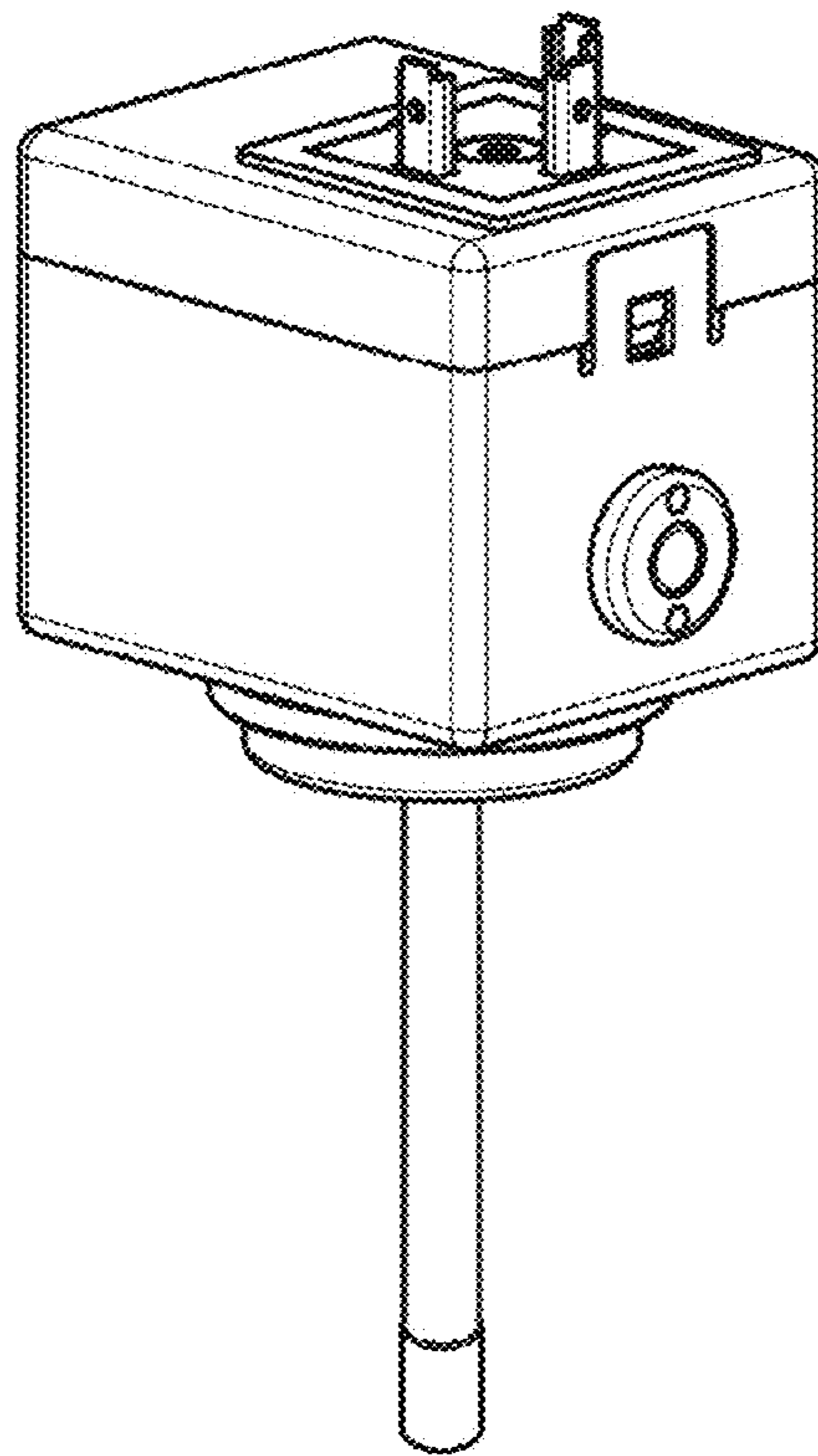


FIG. 21