



US00D939449S

(12) **United States Design Patent** (10) **Patent No.:** **US D939,449 S**
Baldwin (45) **Date of Patent:** **** Dec. 28, 2021**

- (54) **ROUND FLOOR BOX COVER**
- (71) Applicant: **Jeffrey P. Baldwin**, Anthem, AZ (US)
- (72) Inventor: **Jeffrey P. Baldwin**, Anthem, AZ (US)
- (**) Term: **15 Years**
- (21) Appl. No.: **29/713,283**
- (22) Filed: **Nov. 14, 2019**
- (51) **LOC (13) Cl.** **13-03**
- (52) **U.S. Cl.**
USPC **D13/152**; D13/156
- (58) **Field of Classification Search**
USPC D13/123, 126, 152, 156, 173, 177, 184
CPC H02G 3/08; H02G 3/081; H02G 3/12;
H02G 3/14; H02G 3/123; H02G 3/126
See application file for complete search history.
- (56) **References Cited**

U.S. PATENT DOCUMENTS

5,925,849	A *	7/1999	Chen	H02G 3/185
					174/482
6,545,215	B2 *	4/2003	Young	H02G 3/14
					174/484
6,552,262	B2 *	4/2003	English	H02G 3/14
					16/221
D484,097	S *	12/2003	Drane	D13/139.4
D539,229	S *	3/2007	Murphey	D13/155
D553,306	S *	10/2007	Hansen	D13/139.4
7,511,231	B2 *	3/2009	Drane	H02G 3/185
					174/482
D699,687	S *	2/2014	Baldwin	D13/156
D701,175	S *	3/2014	Baldwin	D13/156
D726,125	S *	4/2015	Baldwin	D13/156
D746,238	S *	12/2015	Sumwait	D13/156
D754,078	S *	4/2016	Baldwin	D13/156

D754,079	S *	4/2016	Baldwin	D13/156
9,318,888	B1 *	4/2016	Baldwin	H02G 3/14
9,735,558	B1 *	8/2017	Gretz	H02G 3/14
10,103,533	B1 *	10/2018	Gretz	H02G 3/38
2014/0000956	A1 *	1/2014	Wurms	H02G 3/08
					174/535
2019/0006830	A1 *	1/2019	Richards	H02G 3/185
2020/0036174	A1 *	1/2020	Diakomis	H02G 3/12
2020/0052471	A1 *	2/2020	Byrne	H02G 3/081

OTHER PUBLICATIONS

Hubbell-Wiring Kellems RF406BP _ Round Floor Box Cover; retrieved on Aug. 13, 2021; 1 pg.; <https://rexel-cdn.com/products/hubrf406bppdf.pdf?i=2464CCB3-0898-42CC-A777-7508029BE3C2>.*

* cited by examiner

Primary Examiner — Selina Sikder
(74) *Attorney, Agent, or Firm* — Booth Udall Fuller, PLC

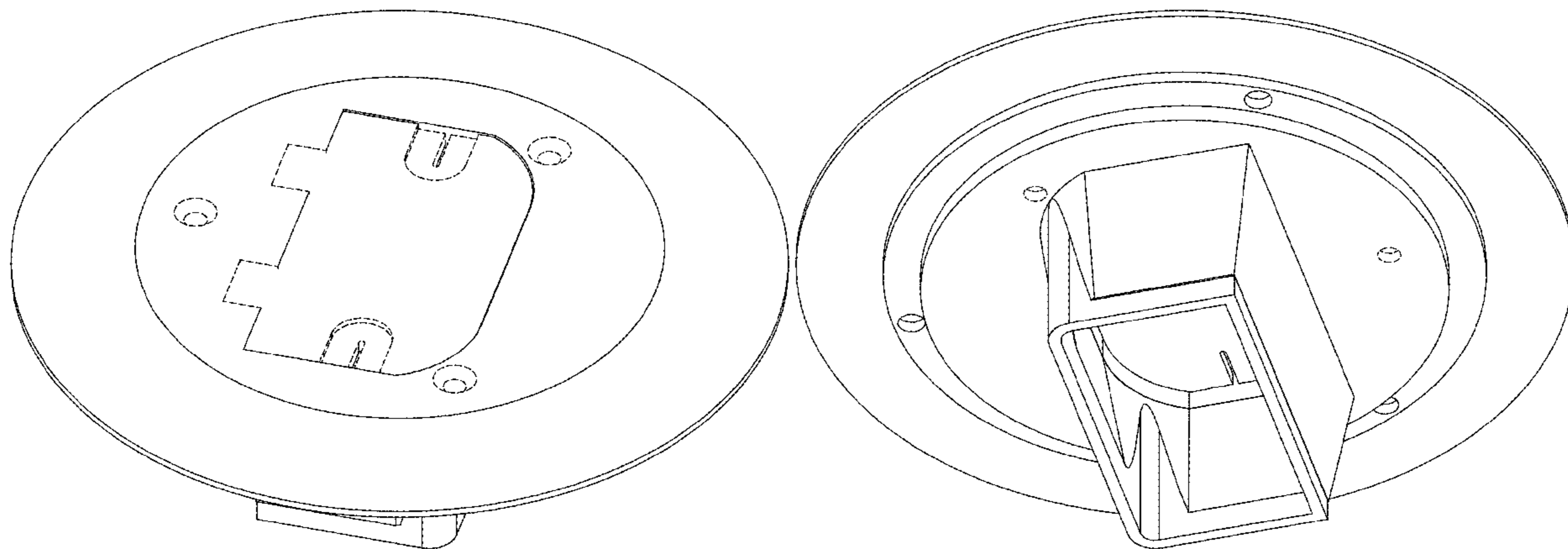
(57) **CLAIM**

I claim the ornamental design for a round floor box cover, as shown and described.

DESCRIPTION

FIG. 1 is a front view for a round floor box cover; FIG. 2 is a right side view thereof; FIG. 3 is a left side view thereof; FIG. 4 is a top view thereof; FIG. 5 is a bottom view thereof; FIG. 6 is a back view thereof; FIG. 7 is a front perspective view thereof; and, FIG. 8 is a back perspective view thereof. The broken lines in the figures are for illustrative purposes or represent portions of the article which form no part of the claimed design.

1 Claim, 8 Drawing Sheets



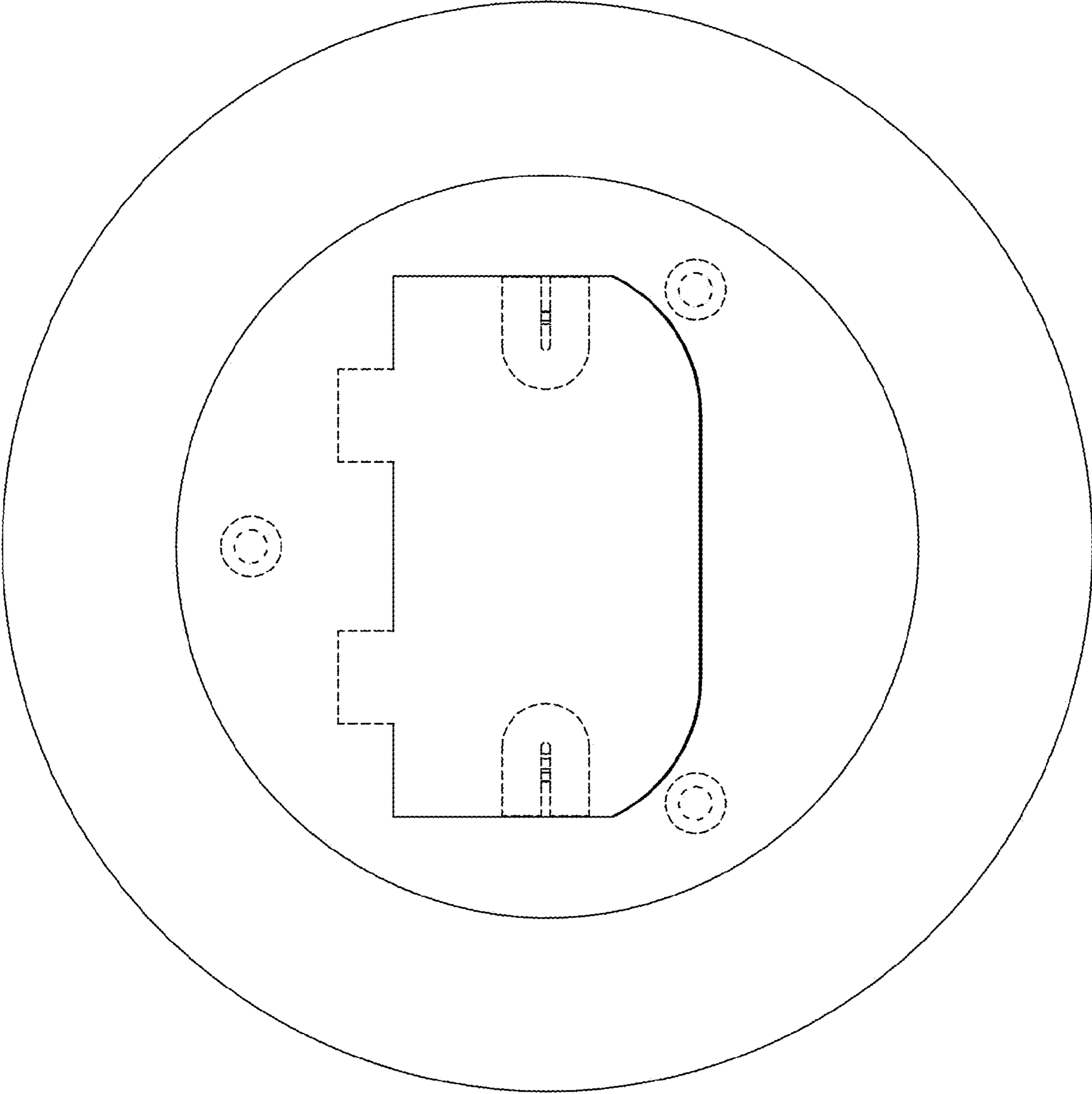


Figure 1

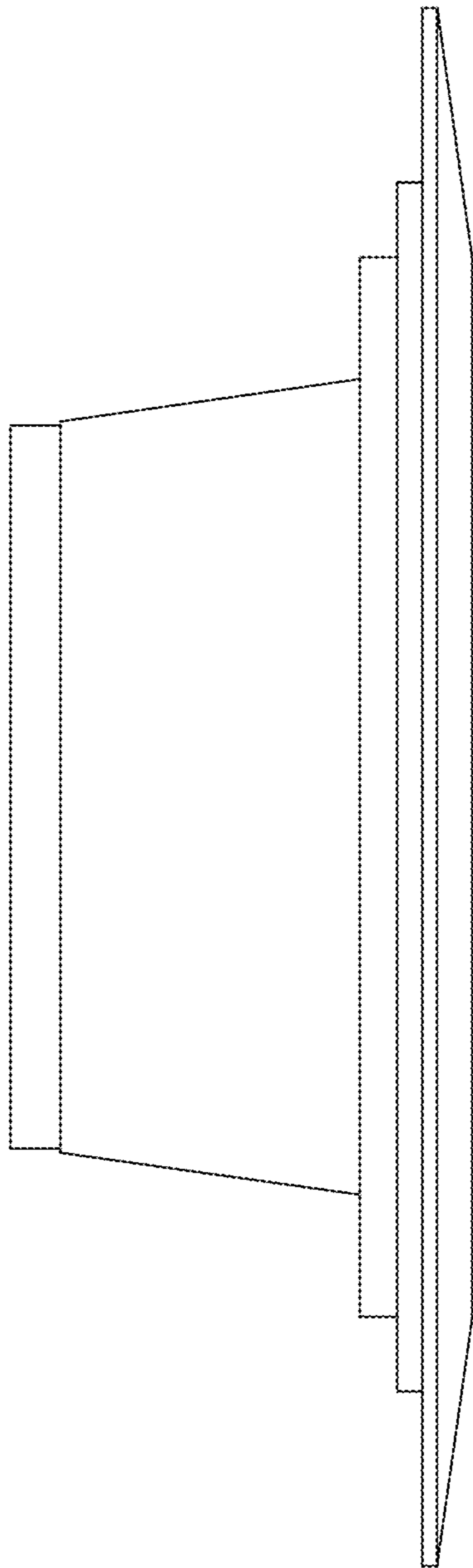


Figure 2

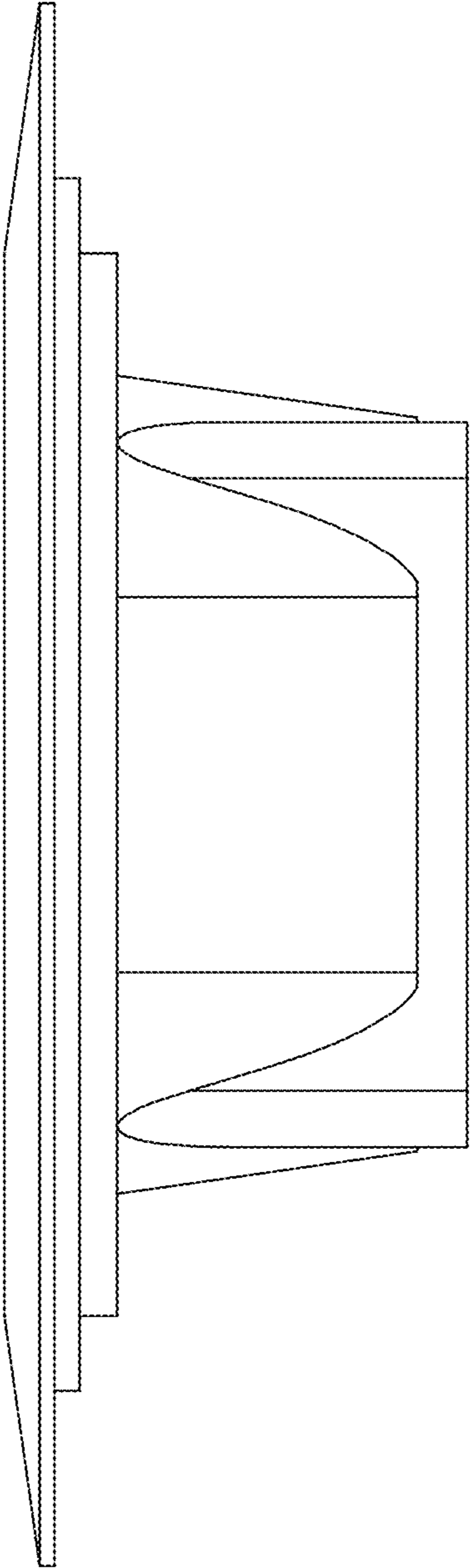


Figure 3

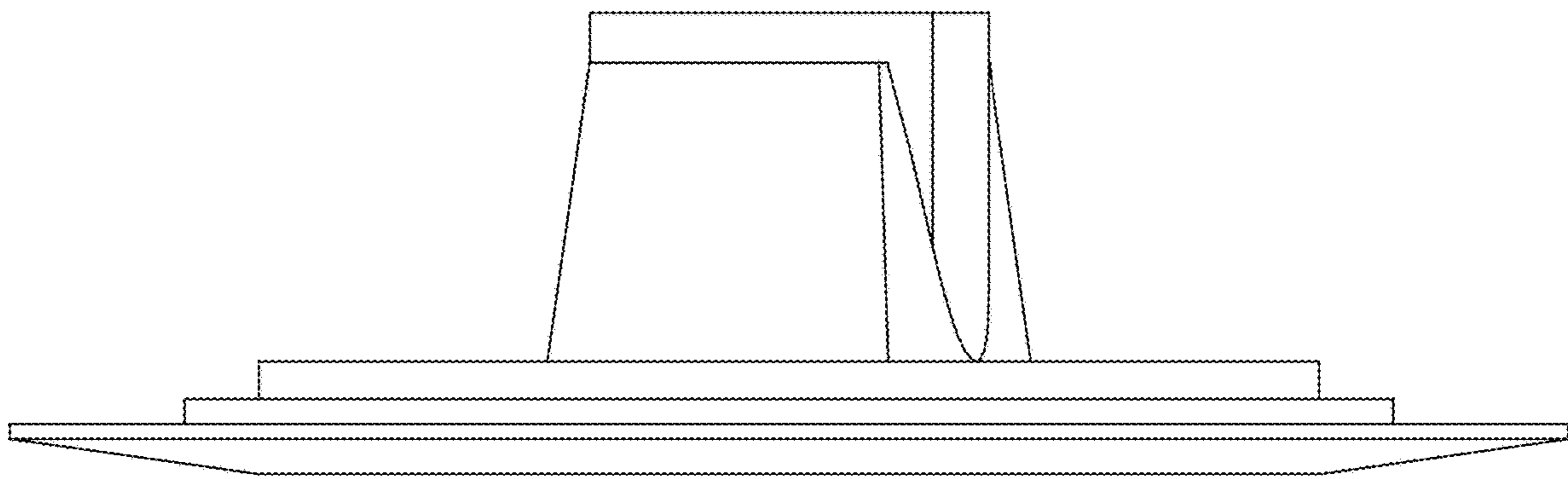


Figure 4

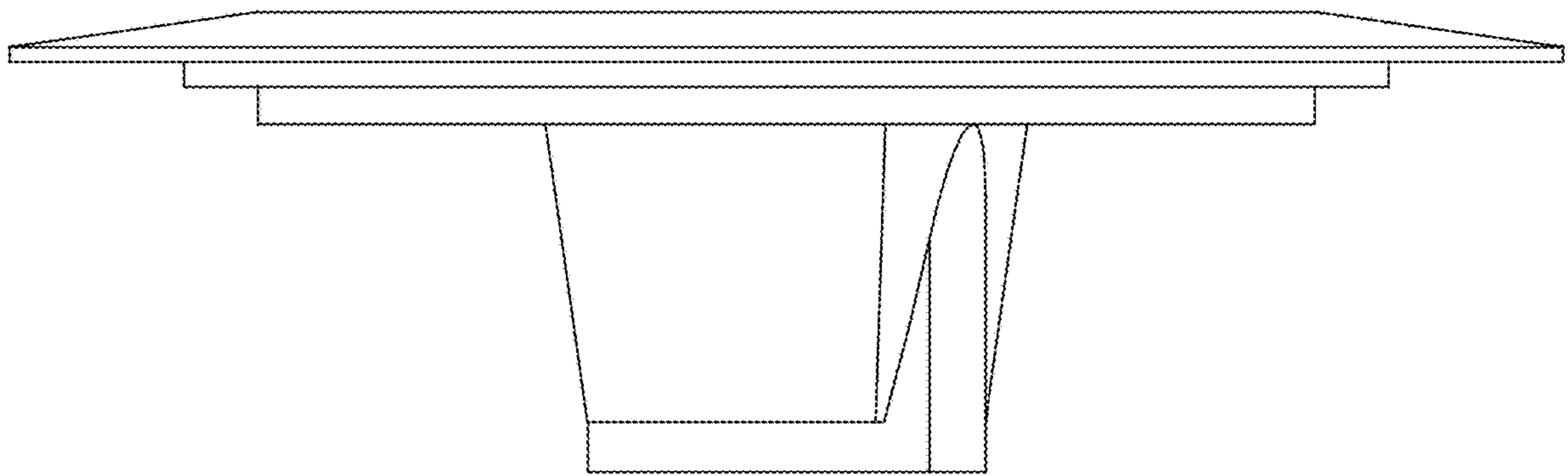


Figure 5

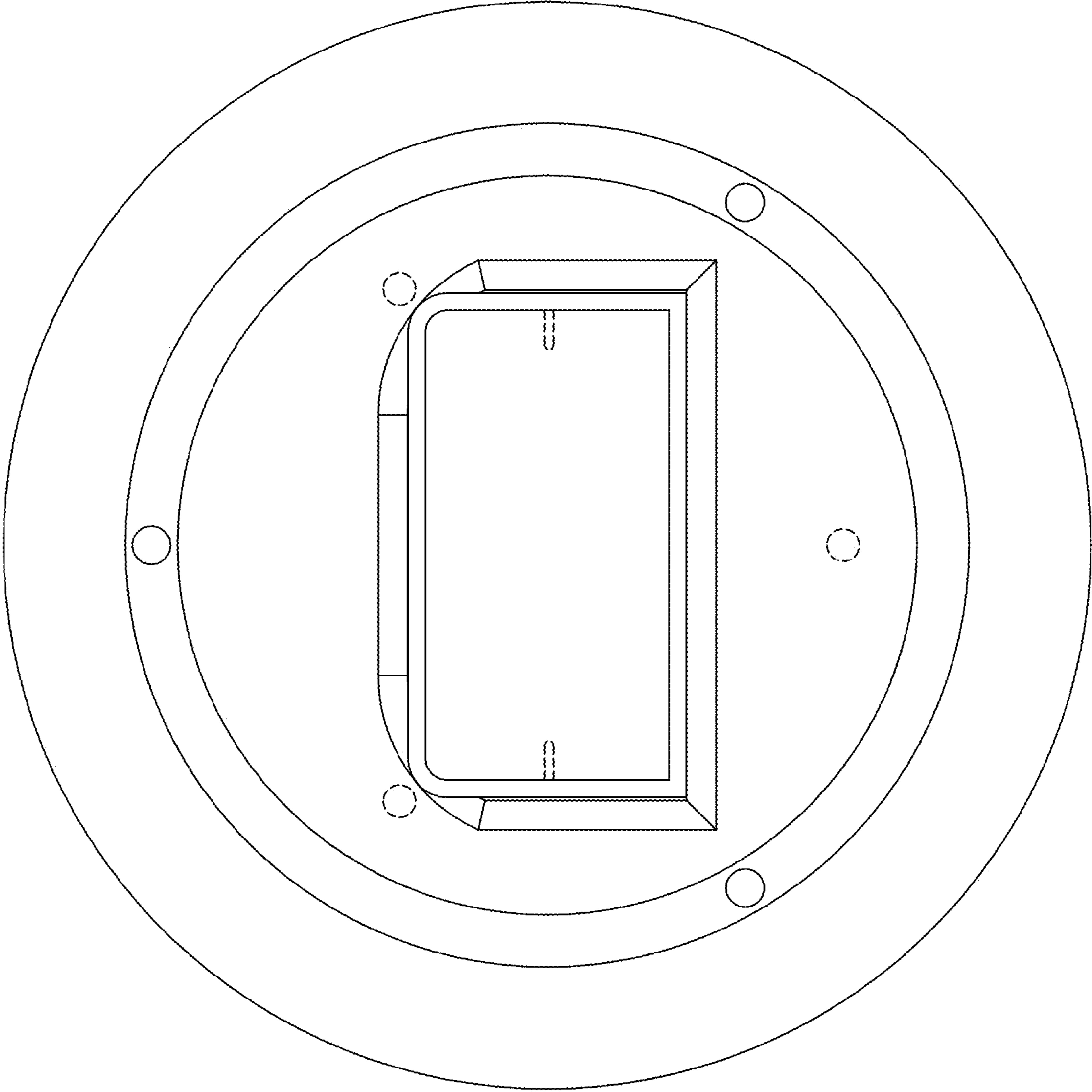


Figure 6

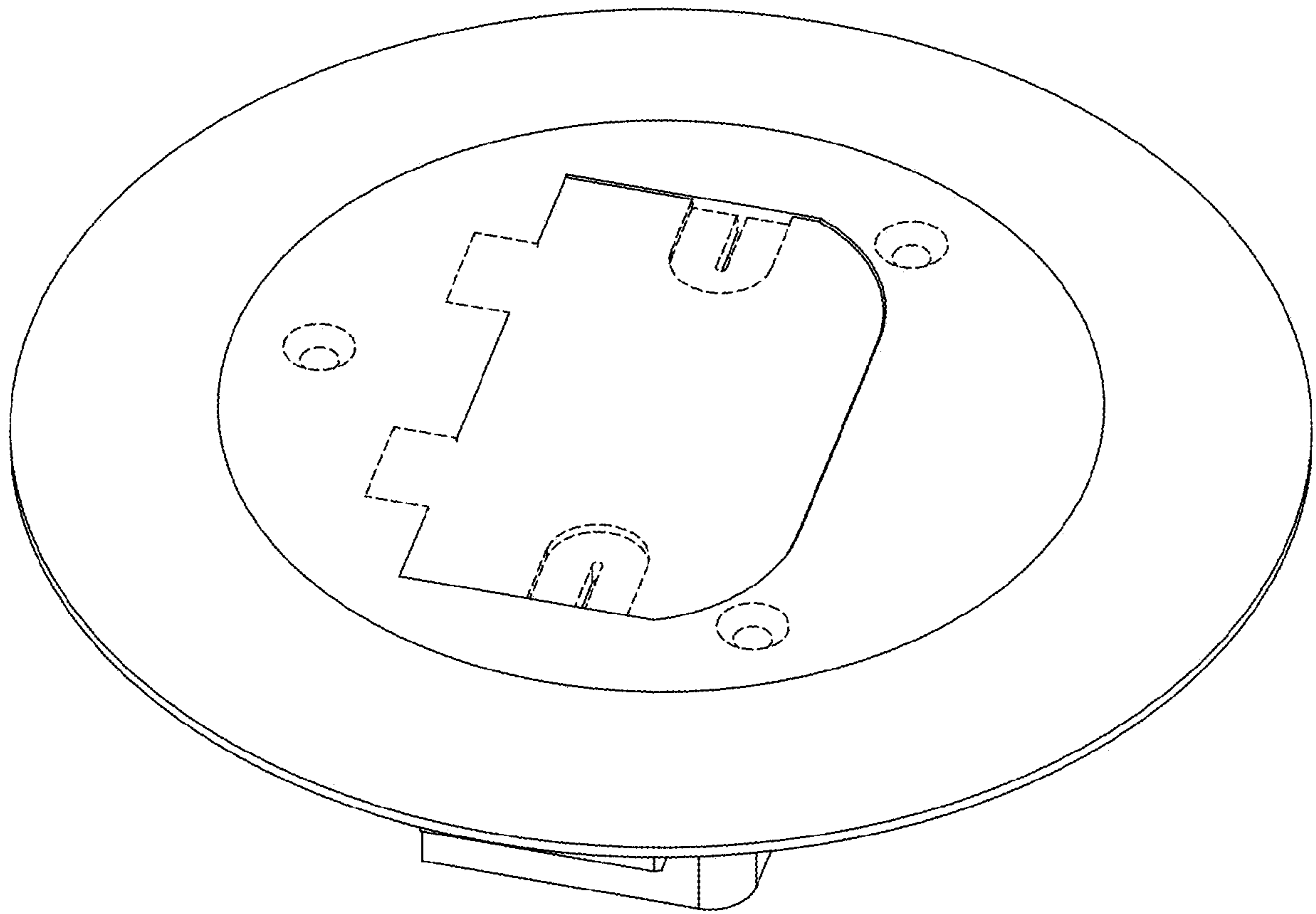


Figure 7

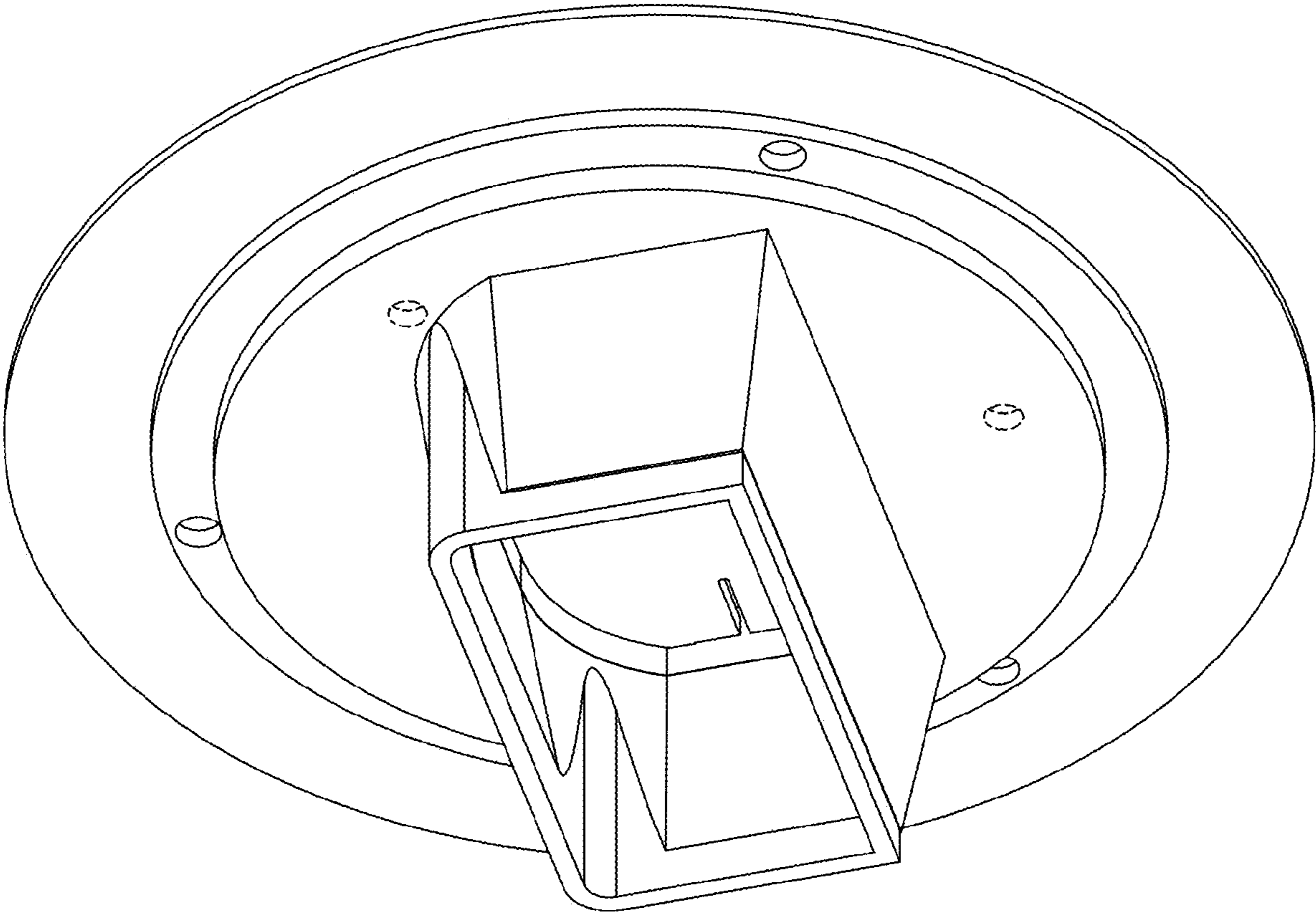


Figure 8