



US00D939448S

(12) **United States Design Patent**
Li

(10) **Patent No.:** **US D939,448 S**

(45) **Date of Patent:** **** Dec. 28, 2021**

(54) **CAR CHARGER**

(71) Applicant: **Yunxiong Li**, Heyuan (CN)

(72) Inventor: **Yunxiong Li**, Heyuan (CN)

(**) Term: **15 Years**

(21) Appl. No.: **29/700,275**

(22) Filed: **Aug. 1, 2019**

(51) **LOC (13) Cl.** **13-03**

(52) **U.S. Cl.**
USPC **D13/144**

(58) **Field of Classification Search**
USPC D13/107, 108, 110, 144, 199; D14/144,
D14/217, 258

CPC H01R 31/06; B25F 1/006; B25F 1/04
See application file for complete search history.

(56) **References Cited**

U.S. PATENT DOCUMENTS

D505,389 S	*	5/2005	Chang	D13/107
D600,206 S	*	9/2009	Ledbetter	D13/110
D654,027 S	*	2/2012	Huang	D13/144
D720,296 S	*	12/2014	Charnis	D13/144
D770,384 S	*	11/2016	Zetterqvist	D13/133

OTHER PUBLICATIONS

Tikalong Car Charger. Amazon.com. Date first Available: Mar. 29, 2019. <<https://www.amazon.com/FIMARR-Charger-Compatible-iPhone-Charging/dp/B07PPQGDVF>> (Year: 2019).*

* cited by examiner

Primary Examiner — Jennifer O King

(74) *Attorney, Agent, or Firm* — Xiaofang Zhong; Law Office of Xiaofang Zhong, PLLC

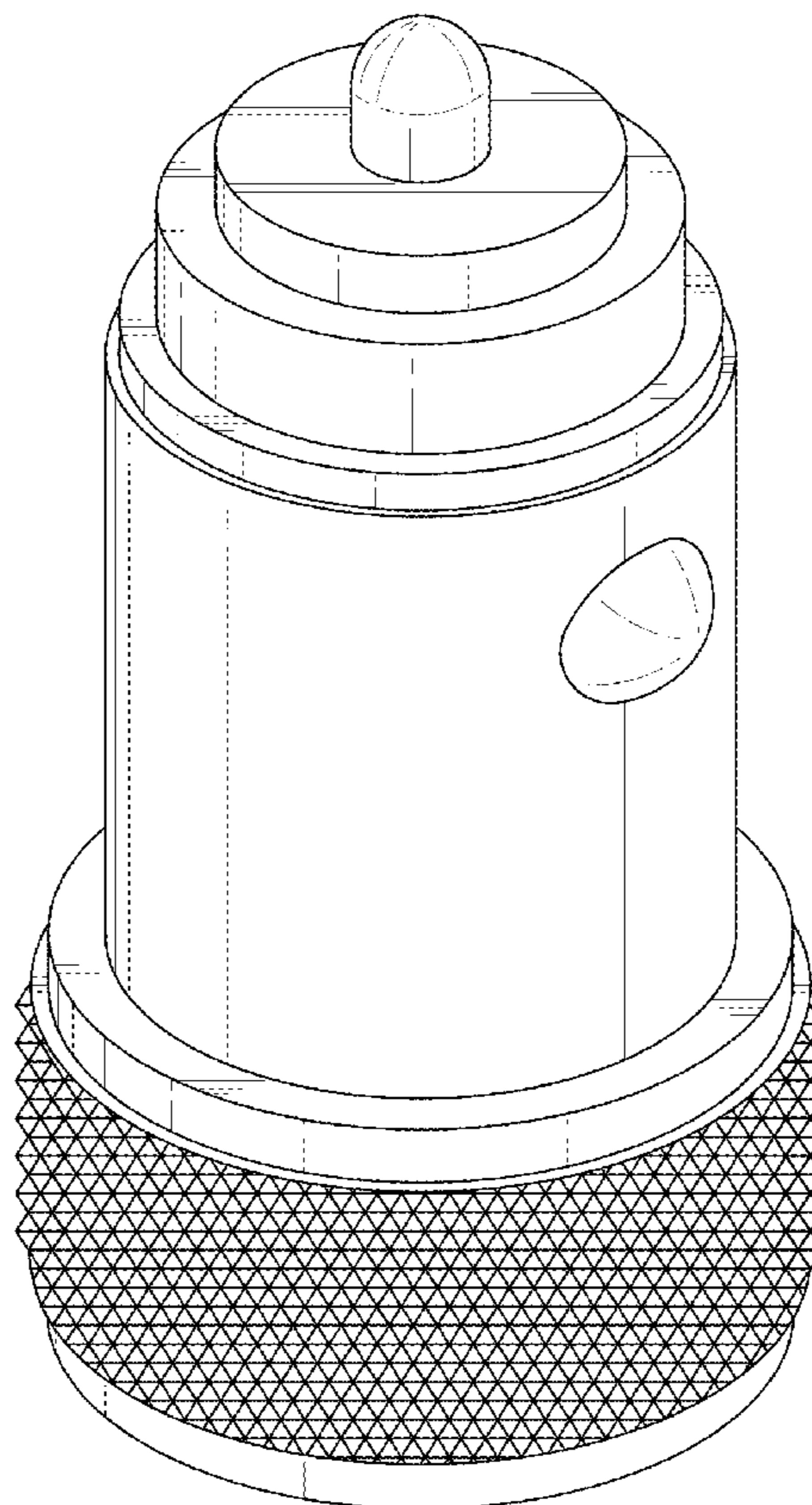
(57) **CLAIM**

I claim the ornamental design for a car charger, as shown and described.

DESCRIPTION

FIG. 1 is a Perspective view of a car charger showing my new design;
FIG. 2 is a Left-side view of the car charger as shown in FIG. 1;
FIG. 3 is a Right-side view of the car charger as shown in FIG. 1;
FIG. 4 is a Front view of the car charger as shown in FIG. 1;
FIG. 5 is a Back view of the car charger as shown in FIG. 1;
FIG. 6 is a Top view of the car charger as shown in FIG. 1; and,
FIG. 7 is Bottom view of the car charger as shown in FIG. 1.

1 Claim, 7 Drawing Sheets



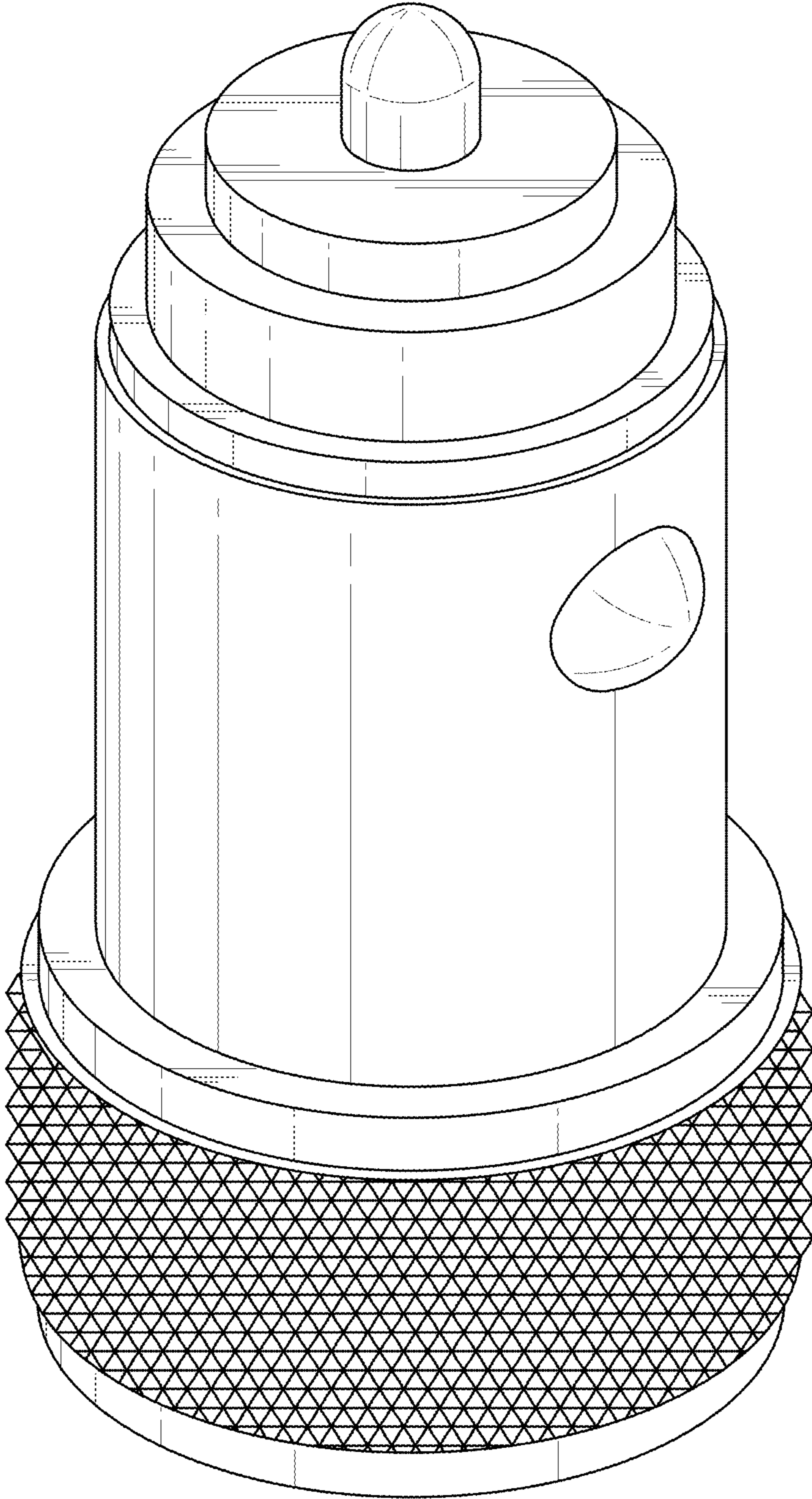


FIG. 1

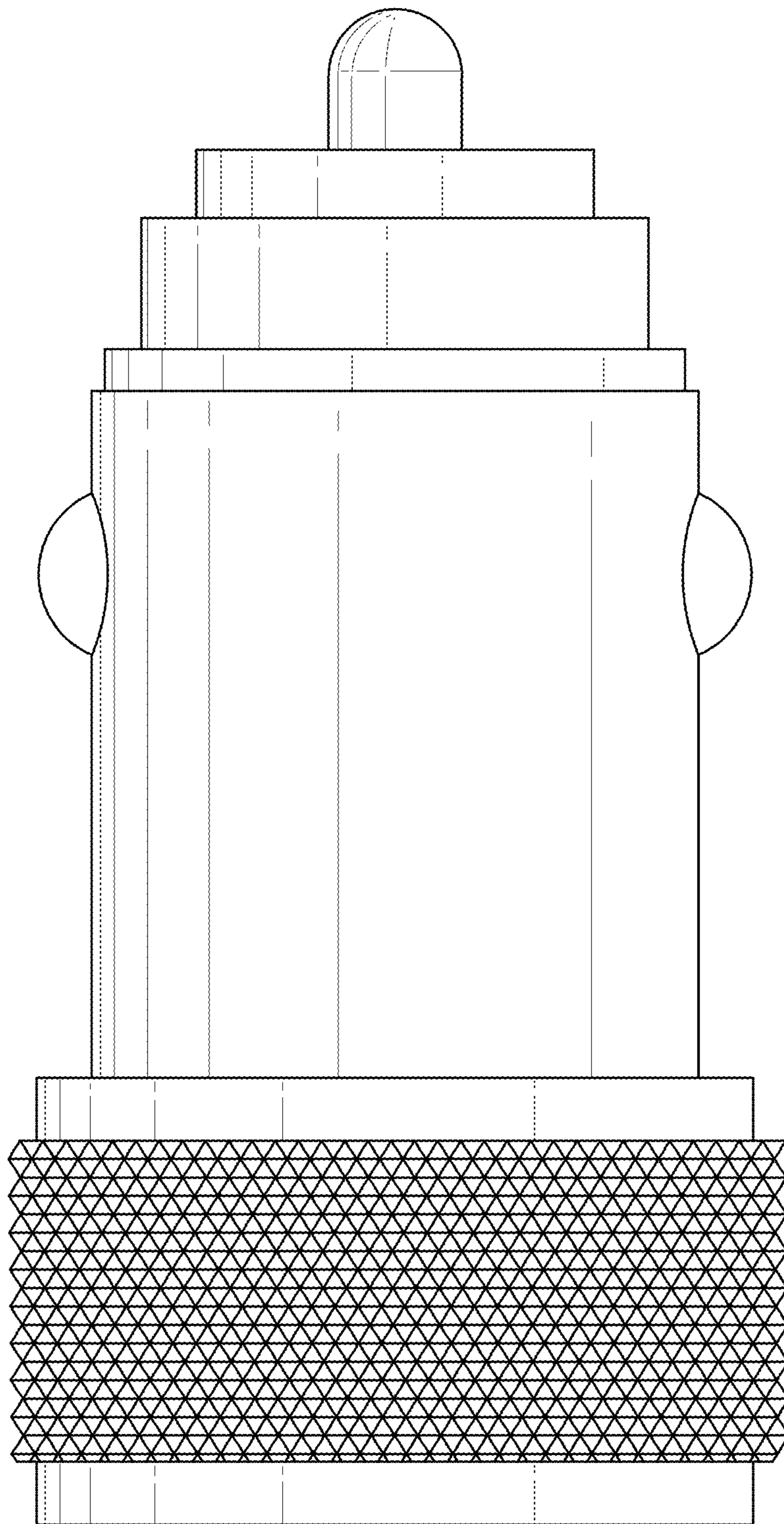


FIG. 2

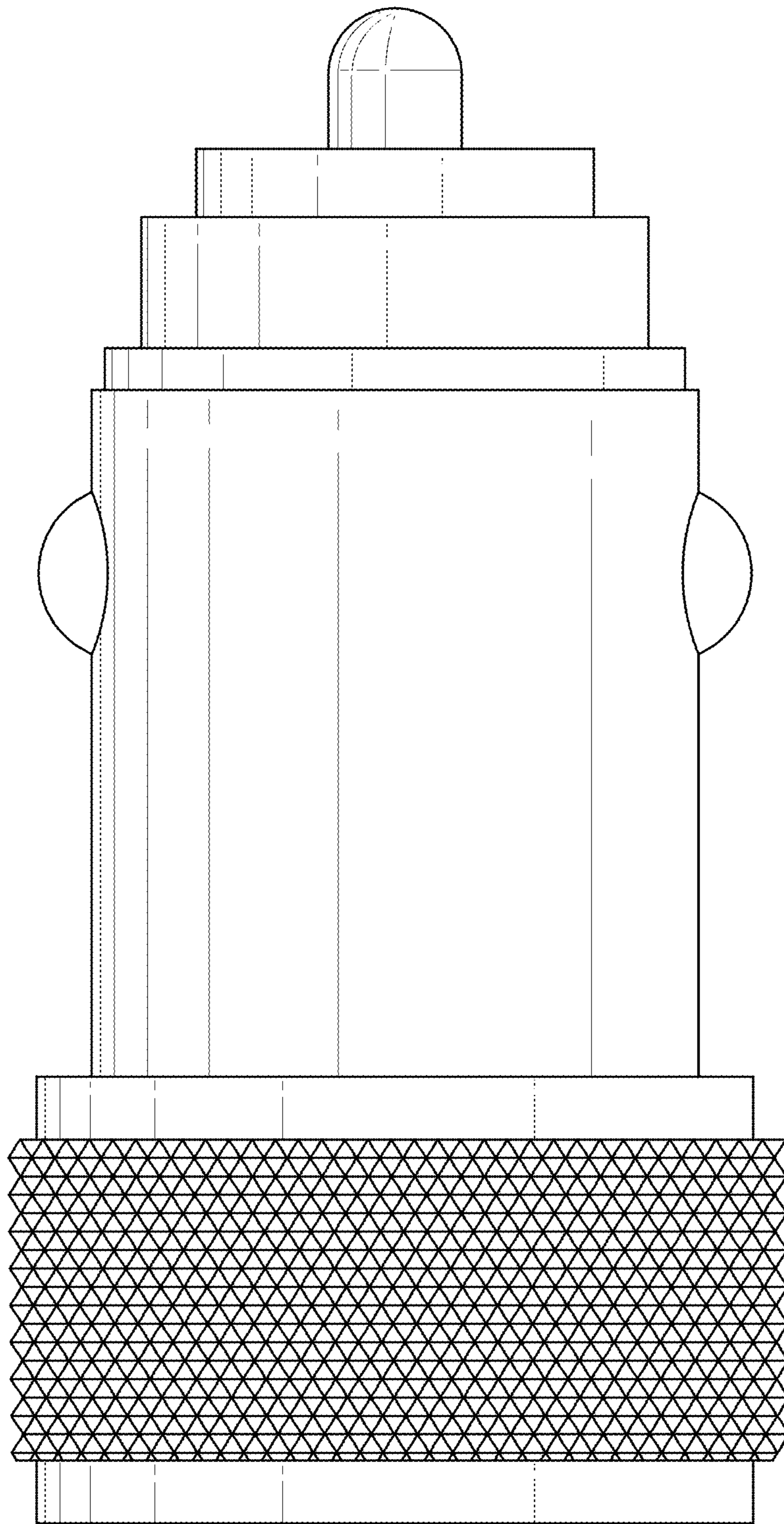


FIG. 3

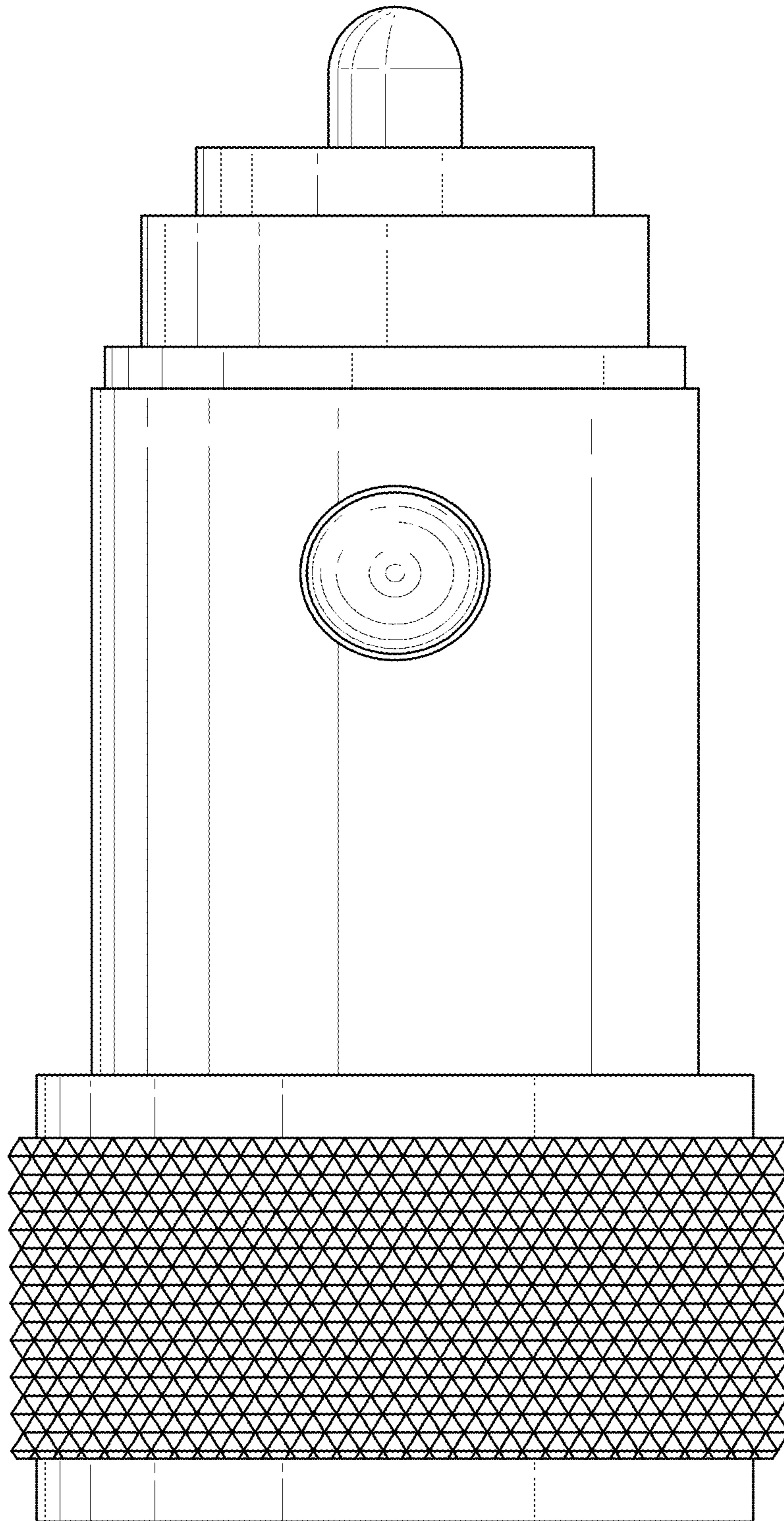


FIG. 4

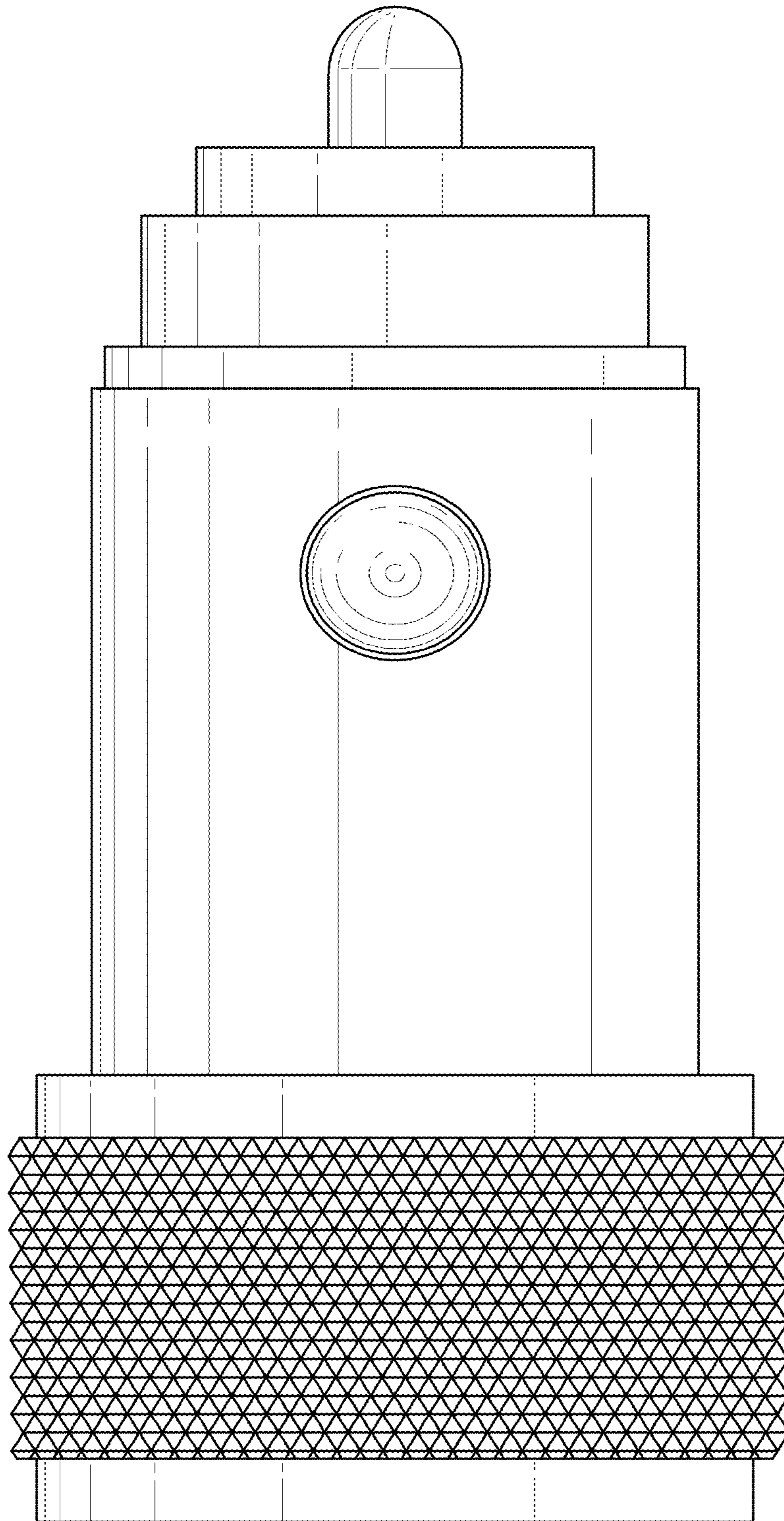


FIG. 5

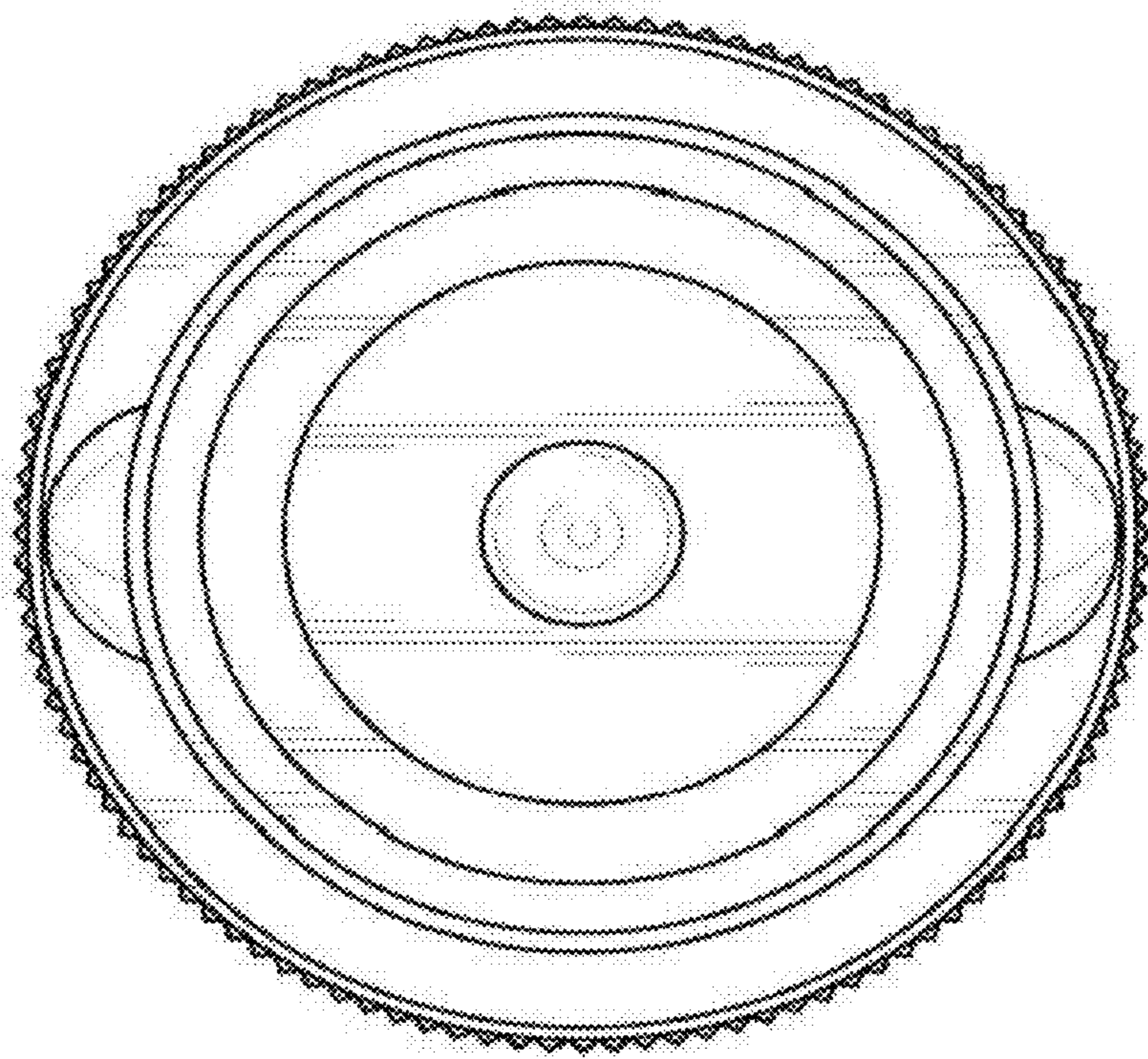


FIG. 6

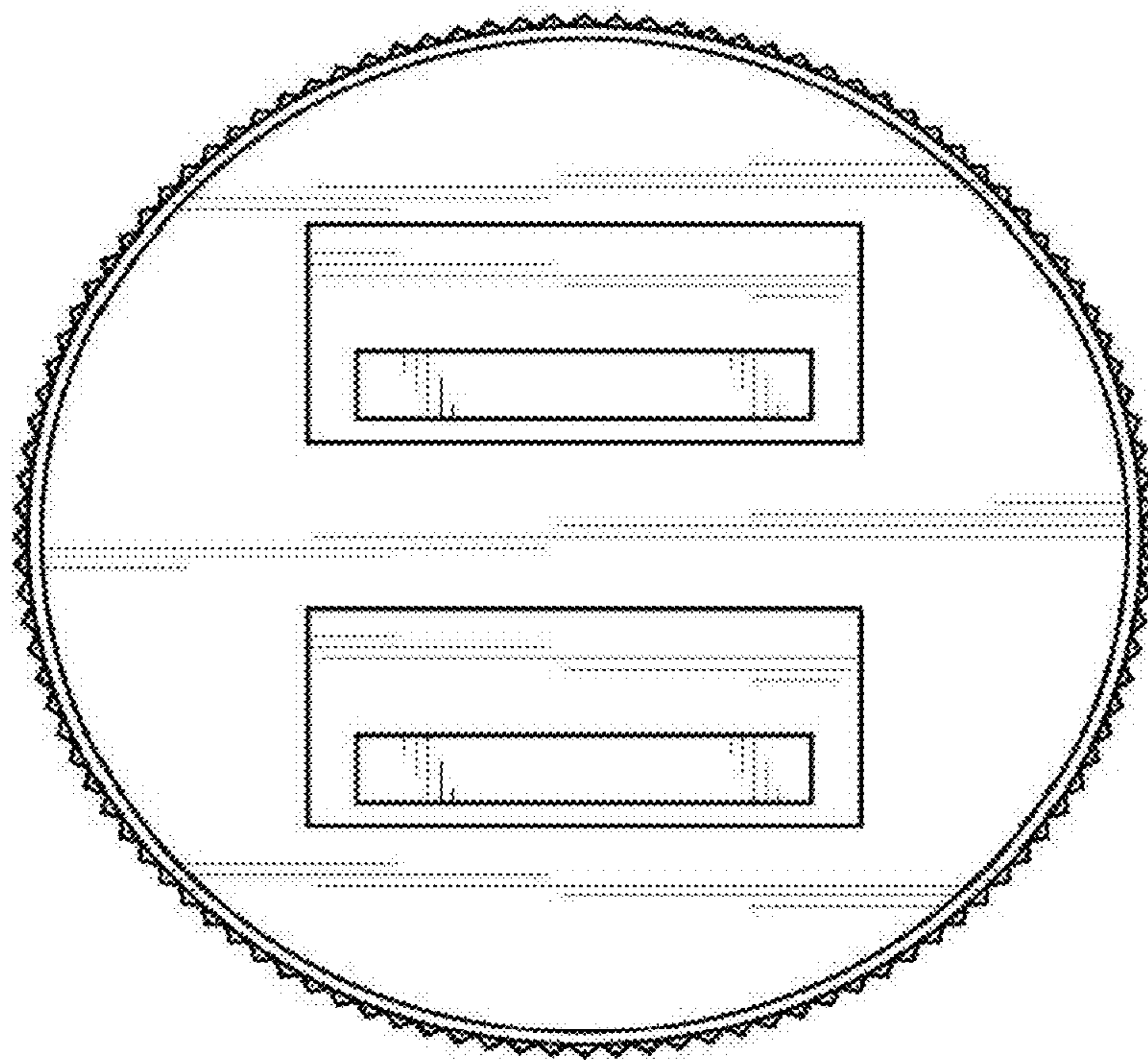


FIG. 7